

# XBOC SERIES

Unit Coolers - Technical Catalog



## Features/Applications

Century Refrigeration's XBOC Series Unit Coolers are designed for the rigors of commercial and industrial freezer and cooler applications. The XBOC Series utilizes a configuration of fans, motor horsepower, coil circuiting, and blade configuration that provides a wide range of unit coolers to meet your specific project needs. The following features are standard on each XBOC Series Unit Cooler:

- Designed for ceiling or stacked floor mounting (stacked floor mounting units utilize additional legs for extending height. These legs will be shipped loose for field installation using factory provided washers and nuts.)
- Corrosion resistant G-90 mill galvanized housing
- Air defrost
- Insulated and front or rear-hinged drain pan with drain connection
- Custom coil circuiting to optimize performance and capacity
- VFD duty fan motors
- ODP motor
- 42" heavy-duty airfoil cast aluminum fan blades to efficiently address static requirements
- Draw-through configuration for enhanced air throw and minimal fan icing
- Hinged end access panels
- Additional models available for optimized selection

## Available Options

- Electric defrost
- Hot gas defrost
- Mounting legs
- Mounted expansion valves
- Right-hand (opposite-end) connections
- Glycol coil circuiting
- Extended throw nozzles

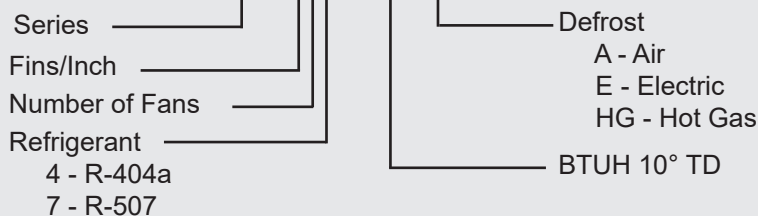
### Air discharge alternatives

On applicable models, air discharge alternatives include:

- 45° down discharge
- 90° down discharge (penthouse adapters) featuring heavy-duty discharge housings that are ideal for layout flexibility. Access panels are provided on penthouse adapters to permit service access. These housings ship loose for field installation.
- Fans can be selected for various external static pressures (ESP) ranging from 0" to .25".

## Nomenclature

### MODEL KEY XBOC 424 - 2343 E



### WHEN ORDERING PLEASE SPECIFY:

- Complete Model Number
- Refrigerant
- Room Temperature
- Saturated Suction Temperature
- Electrical Characteristic
  - Motors (Voltage/Phase)
  - Heaters (Voltage/Phase)
  - Control Voltage
- Accessories

# Construction

## Cabinet

Cabinets are made of heavy-gauge, corrosion-resistant, G-90 mill galvanized steel housing. All hardware is corrosion resistant. Cabinet includes hinged side access panels for ease of serviceability. Full die-formed venturies minimize noise with maximum air throw. Fan guards are heavy-gauge wire basket-type coated for corrosion protection.

## Coil

Coils are copper tube, full-collared die-formed aluminum plate fin and tube sheets. Tubes are mechanically expanded for maximum heat transfer. Coils are leak tested at 350 PSIG under water. Solder distributors have removable nozzles. Each nozzle is sized for the specified refrigerant and temperature range. All coils use an external equalized expansion valve. Expansion valve is located within the cabinet. The expansion valve compartment is heated during the defrost cycle on electric defrost models.

## Fans

Fans are 42 inch heavy duty aluminum blades with steel hubs that are statically and dynamically balanced for smooth operation. They are selected for maximum air throw.

## Motors

Motors are permanently lubricated for reduced maintenance

time and costs and suitable for low temperature applications. Motors are heavy duty, high efficiency, full ball bearing and have external thermal overloads to protect against over-ampereage and overheating. Motors are suitable for single-point group fusing. Fan motors are pre-wired to terminal blocks. 1-1/2 through 7-1/2 HP motors are 1160 RPM.

## Refrigerants

Coils are designed for use with many refrigerants.

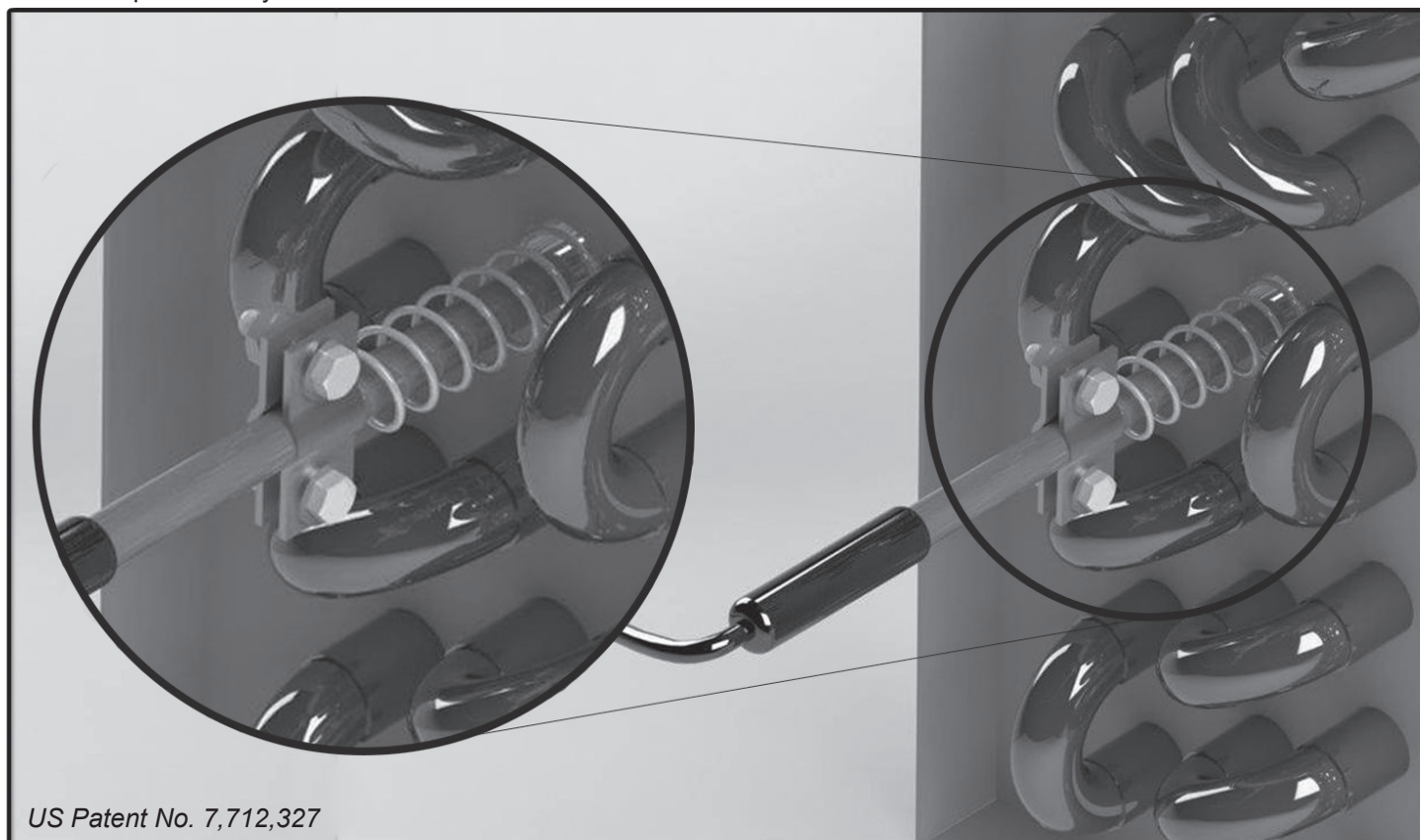
## Defrost

Electric Defrost models include pre-wired terminal blocks and low-watt density heaters that are housed internal to the coil for a rapid and efficient defrost. Lower coil heaters and drain pan heaters help provide fast and reliable condensate drainage. Standard operating control includes an adjustable defrost termination with fan delay.

Hot Gas Defrost models include an auxiliary side port connection on the distributor, insulated drain pan with a hot gas loop in the pan, and a check valve shipped loose. An adjustable defrost termination/fan delay switch is also provided with this option for temperature termination of the defrost period.

## Mounting

Century offers both ceiling and rack or floor mounting for each model.



Defrost elements are installed in the open tube locations within the evaporator coil. The radiant heat is trapped by the cabinet, accelerating defrost. The heater elements are held in place with a spring and bracket to keep the element from creeping during defrost.

**R-404a/R-507 Models**

**Capacity at 0" External Static Pressure**

XBOC Model*	CFM	FPM	Evaporating Temperature °F										
			-40°	-30°	-20°	-10°	0°	+10°	+20°	+25°	+35°	+45°	+50°
410-838	15,985	609	67,143	75,410	81,671	86,589	90,805	94,939	99,594	102,298	108,814	117,261	122,375
410-902	16,569	552	72,246	81,141	87,878	93,169	97,705	102,154	107,162	110,072	117,083	126,171	131,674
410-906	18,151	691	72,564	81,498	88,264	93,579	98,135	102,604	107,634	-	-	-	-
410-968	15,062	573	77,549	87,097	94,328	100,008	104,877	109,653	115,029	118,152	125,677	135,433	141,340
410-1006	19,795	659	80,610	90,535	98,052	103,956	109,017	113,981	119,569	-	-	-	-
410-1037	16,941	645	83,062	93,289	101,034	107,118	112,333	117,448	123,206	-	-	-	-
410-1052	15,786	526	84,262	94,636	102,493	108,665	113,955	119,144	124,986	128,379	136,556	147,156	153,574
410-1082	22,358	745	86,681	97,353	105,436	111,784	117,227	122,565	128,574	-	-	-	-
410-1083	14,446	550	86,687	97,359	105,443	111,792	117,234	122,573	128,582	132,073	140,485	151,391	157,993
410-1160	18,670	622	92,917	104,357	113,021	119,827	125,661	131,383	137,824	141,566	150,583	162,272	169,349
410-1162	16,108	613	93,071	104,530	113,208	120,025	125,869	131,600	138,052	141,801	150,832	162,541	169,629
410-1172	15,222	507	93,847	105,401	114,152	121,026	126,918	132,697	139,203	142,983	152,089	163,896	171,044
410-1256	21,305	710	100,599	112,984	122,365	129,733	136,049	142,244	149,218	-	-	-	-
410-1300	17,825	594	104,164	116,988	126,701	134,330	140,870	147,285	154,506	158,701	168,809	181,913	189,847
410-1426	20,549	685	114,237	128,302	138,954	147,321	154,494	161,529	169,448	-	-	-	-
420-1677	31,970	609	134,287	150,820	163,342	173,178	181,609	189,879	199,188	204,596	217,627	234,521	244,749
420-1804	33,138	552	144,492	162,281	175,755	186,338	195,410	204,308	214,325	220,144	234,165	252,343	263,348
420-1812	36,302	691	145,128	162,995	176,528	187,158	196,270	205,207	215,268	-	-	-	-
420-1936	30,124	573	155,098	174,194	188,657	200,016	209,754	219,306	230,057	236,304	251,354	270,867	282,680
420-2013	39,590	659	161,221	181,070	196,104	207,912	218,034	227,963	239,139	-	-	-	-
420-2074	33,882	645	166,125	186,578	202,069	214,236	224,666	234,897	246,413	-	-	-	-
420-2104	31,572	526	168,524	189,272	204,987	217,330	227,911	238,289	249,971	256,759	273,112	294,313	307,149
420-2164	28,892	550	173,373	194,719	210,885	223,583	234,469	245,146	257,164	264,147	280,971	302,782	315,987
420-2165	44,716	745	173,362	194,706	210,872	223,569	234,454	245,130	257,148	-	-	-	-
420-2320	37,340	622	185,834	208,714	226,043	239,654	251,321	262,766	275,648	283,133	301,165	324,544	338,698
420-2324	32,216	613	186,142	209,059	226,417	240,050	251,737	263,200	276,104	283,601	301,664	325,081	339,259
420-2343	30,444	507	187,694	210,802	228,305	242,051	253,836	265,395	278,406	285,965	304,179	327,792	342,087
420-2512	42,610	710	201,197	225,969	244,730	259,466	272,099	284,489	298,436	-	-	-	-
420-2616	35,650	594	208,327	233,976	253,403	268,661	281,741	294,570	309,012	317,402	337,618	363,827	379,694
420-2853	41,098	685	228,474	256,604	277,909	294,642	308,987	323,057	338,896	-	-	-	-
430-2346	46,293	665	187,889	211,022	228,542	242,303	254,100	265,671	278,696	-	-	-	-
430-2516	52,077	748	201,519	226,330	245,122	259,881	272,534	284,944	298,914	-	-	-	-
430-2529	48,105	605	202,548	227,485	246,372	261,207	273,924	286,398	300,439	308,596	328,251	353,733	369,160
430-2679	42,984	617	214,561	240,978	260,985	276,700	290,171	303,385	318,258	326,900	347,721	374,714	391,055
430-2810	57,213	719	225,059	252,768	273,755	290,238	304,369	318,228	333,830	-	-	-	-
430-2858	47,916	688	228,917	257,101	278,447	295,213	309,586	323,683	339,552	-	-	-	-
430-2922	45,345	570	234,058	262,875	284,700	301,843	316,539	330,952	347,178	356,605	379,317	408,763	426,590
430-2996	40,914	588	239,943	269,485	291,859	309,433	324,498	339,274	355,908	365,572	388,855	419,041	437,316
430-3025	65,127	819	242,285	272,115	294,708	312,453	327,666	342,586	359,382	-	-	-	-
430-3201	45,297	651	256,322	287,880	311,782	330,555	346,648	362,433	380,202	-	-	-	-
430-3213	53,286	670	257,319	288,999	312,994	331,840	347,997	363,843	381,681	-	-	-	-
430-3266	43,512	547	261,592	293,799	318,192	337,352	353,776	369,886	388,020	398,556	423,940	456,850	476,774
430-3516	61,530	773	281,572	316,238	342,495	363,117	380,796	398,136	417,655	-	-	-	-
430-3598	50,475	634	288,163	323,642	350,513	371,618	389,711	407,457	427,433	-	-	-	-
430-3985	59,010	742	319,100	358,387	388,143	411,514	431,549	451,200	473,320	-	-	-	-

Capacity Based on 10° TD.

\* Additional models available to optimize selection. Contact factory for details.

"-" Ratings omitted due to high face velocities (over 625 FPM.)

**R-404a/R-507 Models**

**Capacity at 0" External Static Pressure**

XBOC Model*	CFM	FPM	Evaporating Temperature °F										
			-40°	-30°	-20°	-10°	0°	+10°	+20°	+25°	+35°	+45°	+50°
510-933	45,686	597	74,735	83,936	90,905	96,378	101,071	105,673	110,854	113,864	121,116	130,518	136,210
510-1002	17,705	674	80,297	90,183	97,671	103,552	108,594	113,539	119,105	-	-	-	-
510-1006	16,328	544	80,674	90,606	98,129	104,038	109,103	114,071	119,663	122,913	130,741	140,890	147,035
510-1063	14,732	561	85,156	95,640	103,580	109,817	115,164	120,408	126,311	129,741	138,004	148,717	155,203
510-1118	19,408	647	89,573	100,601	108,954	115,514	121,138	126,655	132,864	-	-	-	-
510-1140	16,438	626	91,340	102,585	111,103	117,792	123,527	129,152	135,484	-	-	-	-
510-1146	15,431	514	91,821	103,126	111,688	118,413	124,178	129,833	136,198	139,896	148,806	160,358	167,351
510-1158	14,024	534	92,788	104,212	112,865	119,661	125,486	131,200	137,633	141,370	150,374	162,047	169,114
510-1200	21,999	733	96,099	107,931	116,892	123,931	129,964	135,882	142,544	-	-	-	-
510-1241	15,548	592	99,406	111,644	120,914	128,194	134,436	140,557	147,448	151,452	161,098	173,604	181,175
510-1255	14,844	494	100,496	112,869	122,240	129,601	135,911	142,099	149,066	153,114	162,865	175,508	183,163
510-1277	18,195	606	102,311	114,907	124,448	131,941	138,365	144,665	151,757	155,878	165,806	178,677	186,470
510-1389	20,855	695	111,234	124,929	135,302	143,449	150,433	157,283	164,994	-	-	-	-
510-1394	17,307	577	111,664	125,412	135,825	144,003	151,014	157,891	165,632	170,129	180,965	195,013	203,517
510-1531	20,077	669	122,660	137,762	149,200	158,184	165,885	173,439	181,942	-	-	-	-
520-1866	91,372	597	149,469	167,872	181,810	192,757	202,141	211,346	221,708	227,728	242,232	261,036	272,420
520-2005	35,410	674	160,595	180,367	195,342	207,104	217,188	227,077	238,210	-	-	-	-
520-2014	32,656	544	161,347	181,212	196,258	208,075	218,206	228,142	239,327	245,825	261,482	281,780	294,069
520-2169	29,464	561	170,311	191,279	207,161	219,635	230,328	240,816	252,622	259,482	276,008	297,434	310,406
520-2237	38,816	647	179,146	201,203	217,908	231,029	242,277	253,309	265,728	-	-	-	-
520-2281	32,876	626	182,679	205,171	222,205	235,585	247,055	258,304	270,968	-	-	-	-
520-2293	30,862	514	183,642	206,252	223,376	236,826	248,356	259,665	272,396	279,792	297,612	320,716	334,703
520-2317	28,048	534	185,576	208,424	225,729	239,321	250,973	262,401	275,266	282,740	300,748	324,094	338,229
520-2400	43,998	733	192,199	215,862	233,784	247,861	259,929	271,765	285,088	-	-	-	-
520-2482	31,096	592	198,811	223,289	241,828	256,389	268,871	281,115	294,897	302,904	322,196	347,208	362,350
520-2510	29,688	494	200,992	225,738	244,481	259,202	271,821	284,199	298,132	306,227	325,731	351,017	366,325
520-2555	36,390	606	204,621	229,814	248,895	263,882	276,729	289,330	303,515	311,756	331,612	357,355	372,940
520-2778	41,710	695	222,469	249,858	270,604	286,897	300,865	314,565	329,987	-	-	-	-
520-2789	34,614	577	223,329	250,824	271,650	288,006	302,028	315,781	331,263	340,258	361,929	390,025	407,035
520-3063	40,154	669	245,320	275,524	298,400	316,367	331,770	346,877	363,883	-	-	-	-
530-2599	45,186	649	208,193	233,825	253,239	268,487	281,559	294,380	308,812	-	-	-	-
530-2772	50,637	727	221,970	249,298	269,997	286,254	300,191	313,860	329,248	-	-	-	-
530-2815	47,208	593	225,477	253,237	274,263	290,777	304,934	318,819	334,450	343,531	365,411	393,777	410,950
530-2940	41,694	599	235,458	264,447	286,404	303,649	318,433	332,933	349,255	358,738	381,587	411,209	429,142
530-3106	55,836	702	248,791	279,421	302,621	320,843	336,463	351,784	369,031	-	-	-	-
530-3143	46,428	667	251,709	282,699	306,171	324,607	340,411	355,911	373,361	-	-	-	-
530-3197	39,465	567	256,077	287,604	311,484	330,239	346,317	362,087	379,838	390,152	415,001	447,217	466,721
530-3208	44,364	558	256,939	288,573	312,533	331,351	347,483	363,306	381,118	391,466	416,399	448,723	468,293
530-3329	63,915	803	266,625	299,451	324,314	343,842	360,582	377,002	395,485	-	-	-	-
530-3411	43,614	626	273,164	306,795	332,268	352,275	369,426	386,247	405,184	-	-	-	-
530-3497	42,258	531	280,039	314,517	340,631	361,141	378,724	395,969	415,382	426,661	453,835	489,065	510,394
530-3537	51,720	650	283,224	318,095	344,505	365,249	383,031	400,473	420,107	-	-	-	-
530-3853	48,927	615	308,544	346,532	375,303	397,901	417,274	436,274	457,663	470,090	500,030	538,847	562,347
530-3861	59,988	754	309,186	347,252	376,083	398,728	418,141	437,181	458,615	-	-	-	-
530-4247	57,354	721	340,081	381,951	413,663	438,571	459,924	480,866	504,442	-	-	-	-

Capacity Based on 10° TD.

\* Additional models available to optimize selection. Contact factory for details.

"-" Ratings omitted due to high face velocities (over 625 FPM.)

**R-404a/R-507 Models**

**Capacity at .25" External Static Pressure**

XBOC Model*	CFM	FPM	Evaporating Temperature °F										
			-40°	-30°	-20°	-10°	0°	+10°	+20°	+25°	+35°	+45°	+50°
410-838	14,086	536	62,107	69,753	75,544	80,093	83,993	87,817	92,123	94,624	100,651	108,464	113,195
410-902	14,676	489	67,095	75,355	81,612	86,526	90,739	94,870	99,522	102,224	108,735	117,176	122,287
410-906	16,108	613	67,462	75,768	82,058	86,999	91,235	95,389	100,066	102,783	109,329	117,817	122,955
410-968	13,227	504	71,854	80,700	87,400	92,663	97,174	101,599	106,580	109,474	116,447	125,486	130,959
410-1006	17,762	592	75,414	84,698	91,730	97,254	101,989	106,633	111,861	114,898	122,216	131,704	137,448
410-1037	14,943	569	77,195	86,699	93,897	99,551	104,398	109,152	114,503	117,612	125,103	134,815	140,695
410-1052	13,898	463	78,011	87,615	94,890	100,603	105,501	110,305	115,713	118,855	126,425	136,240	142,182
410-1082	20,893	696	83,286	93,540	101,306	107,406	112,635	117,764	123,538	-	-	-	-
410-1083	12,551	478	78,852	88,560	95,913	101,688	106,639	111,495	116,961	120,137	127,789	137,709	143,715
410-1160	16,681	556	87,024	97,738	105,853	112,226	117,690	123,049	129,082	132,587	141,032	151,980	158,609
410-1162	14,196	540	85,692	96,242	104,233	110,509	115,889	121,166	127,107	130,558	138,873	149,654	156,181
410-1172	13,297	443	85,453	95,974	103,942	110,201	115,566	120,828	126,752	130,194	138,486	149,237	155,746
410-1256	19,916	663	96,542	108,427	117,430	124,501	130,562	136,507	143,200	-	-	-	-
410-1300	15,916	530	96,697	108,601	117,618	124,700	130,771	136,726	143,429	147,324	156,707	168,873	176,238
410-1426	19,205	640	109,326	122,785	132,980	140,987	147,851	154,583	162,162	-	-	-	-
420-1677	28,172	536	124,214	139,507	151,090	160,187	167,986	175,635	184,246	189,249	201,303	216,930	226,391
420-1804	29,352	489	134,190	150,711	163,224	173,052	181,477	189,741	199,043	204,448	217,470	234,352	244,573
420-1812	32,216	613	134,923	151,534	164,116	173,998	182,469	190,778	200,131	205,565	218,658	235,632	245,909
420-1936	26,454	504	143,708	161,401	174,801	185,326	194,349	203,199	213,161	218,949	232,894	250,974	261,920
420-2013	35,524	592	150,828	169,397	183,462	194,508	203,978	213,267	223,722	229,797	244,433	263,409	274,897
420-2074	29,886	569	154,389	173,397	187,794	199,101	208,795	218,302	229,005	235,223	250,205	269,628	281,388
420-2104	27,796	463	156,022	175,230	189,779	201,206	211,002	220,610	231,426	237,710	252,850	272,479	284,363
420-2164	25,102	478	157,705	177,120	191,826	203,376	213,278	222,990	233,922	240,274	255,577	275,418	287,430
420-2165	41,786	696	166,572	187,080	202,612	214,812	225,270	235,528	247,075	-	-	-	-
420-2320	33,362	556	174,048	195,476	211,705	224,453	235,380	246,099	258,164	265,174	282,063	303,960	317,217
420-2324	28,392	540	171,385	192,485	208,466	221,019	231,779	242,333	254,214	261,117	277,748	299,310	312,364
420-2343	26,594	443	170,906	191,947	207,884	220,401	231,131	241,656	253,504	260,387	276,972	298,473	311,491
420-2512	39,832	663	193,083	216,855	234,860	249,001	261,124	273,014	286,399	-	-	-	-
420-2616	31,832	530	193,393	217,202	235,236	249,400	261,542	273,452	286,858	294,647	313,414	337,744	352,475
420-2853	38,410	640	218,652	245,571	265,960	281,974	295,702	309,167	324,325	-	-	-	-
430-2346	40,512	582	173,094	194,405	210,545	223,223	234,091	244,750	256,749	263,721	280,518	302,295	315,479
430-2516	46,206	664	187,678	210,784	228,285	242,031	253,814	265,372	278,382	-	-	-	-
430-2529	42,444	533	187,503	210,588	228,072	241,805	253,577	265,124	278,122	285,674	303,869	327,459	341,741
430-2679	37,413	537	197,905	222,270	240,724	255,219	267,645	279,832	293,551	301,522	320,726	345,625	360,699
430-2810	51,105	642	210,241	236,124	255,729	271,127	284,327	297,274	311,848	-	-	-	-
430-2858	42,324	608	212,631	238,809	258,636	274,210	287,560	300,654	315,394	323,958	344,591	371,343	387,538
430-2922	39,681	499	216,381	243,020	263,197	279,045	292,631	305,956	320,956	329,671	350,668	377,891	394,372
430-2996	-	-	-	-	-	-	-	-	-	-	-	-	-
430-3025	60,945	766	233,463	262,206	283,976	301,075	315,733	330,110	346,294	-	-	-	-
430-3201	39,798	572	235,654	264,666	286,641	303,900	318,696	333,208	349,544	359,035	381,903	411,550	429,499
430-3213	47,259	594	239,738	269,253	291,608	309,166	324,219	338,982	355,601	365,257	388,521	418,682	436,943
430-3266	37,890	476	238,282	267,618	289,837	307,289	322,250	336,924	353,442	363,039	386,162	416,140	434,289
430-3516	57,354	721	269,223	302,368	327,473	347,191	364,094	380,674	399,337	-	-	-	-
430-3598	44,622	561	265,966	298,710	323,511	342,990	359,689	376,068	394,505	405,217	431,026	464,487	484,745
430-3985	55,047	692	304,870	342,404	370,833	393,162	412,303	431,078	452,212	-	-	-	-

Capacity Based on 10° TD.

\* Additional models available to optimize selection. Contact factory for details.

"-" Ratings omitted due to high face velocities (over 625 FPM.)

**R-404a/R-507 Models**

**Capacity at .25" External Static Pressure**

XBOC Model*	CFM	FPM	Evaporating Temperature °F										
			-40°	-30°	-20°	-10°	0°	+10°	+20°	+25°	+35°	+45°	+50°
510-933	13,834	527	69,217	77,739	84,193	89,263	93,608	97,871	102,669	105,457	112,174	120,882	126,154
510-1002	15,763	600	74,958	84,187	91,176	96,666	101,373	105,989	111,185	114,204	121,478	130,908	136,618
510-1006	14,388	479	74,725	83,924	90,892	96,365	101,057	105,658	110,838	113,848	121,099	130,500	136,192
510-1063	12,860	490	77,716	87,283	94,530	100,222	105,102	109,888	115,275	118,405	125,946	135,724	141,643
510-1118	17,373	579	83,796	94,113	101,926	108,064	113,325	118,485	124,294	127,669	135,800	146,343	152,725
510-1140	14,538	553	84,414	94,807	102,678	108,861	114,161	119,359	125,211	128,611	136,802	147,423	153,852
510-1146	13,572	452	84,011	94,354	102,187	108,340	113,615	118,789	124,612	127,996	136,148	146,718	153,117
510-1158	12,140	462	83,732	94,041	101,849	107,981	113,239	118,395	124,200	127,572	135,697	146,232	152,609
510-1200	20,587	686	92,676	104,086	112,728	119,516	125,335	131,042	137,466	-	-	-	-
510-1241	13,652	520	91,081	102,294	110,787	117,458	123,177	128,786	135,100	138,768	147,606	159,065	166,003
510-1255	12,936	431	90,813	101,994	110,462	117,113	122,815	128,407	134,702	138,360	147,172	158,598	165,515
510-1277	16,232	541	94,997	106,693	115,551	122,509	128,473	134,323	140,909	144,735	153,953	165,905	173,141
510-1389	19,503	650	106,832	119,985	129,947	137,771	144,478	151,057	158,463	-	-	-	-
510-1394	15,414	513	103,214	115,921	125,545	133,105	139,585	145,941	153,096	157,253	167,269	180,254	188,116
510-1531	18,763	625	117,628	132,109	143,078	151,693	159,078	166,322	174,476	179,214	190,628	205,427	214,387
520-1866	27,668	527	138,434	155,477	168,386	178,525	187,217	195,742	205,338	210,914	224,348	241,764	252,308
520-2005	31,526	600	149,916	168,373	182,353	193,333	202,745	211,977	222,370	228,408	242,956	261,817	273,236
520-2014	28,776	479	149,449	167,848	181,784	192,730	202,113	211,317	221,677	227,696	242,198	261,001	272,384
520-2169	25,720	490	155,430	174,566	189,060	200,444	210,202	219,774	230,549	236,809	251,892	271,446	283,285
520-2237	34,746	579	167,593	188,226	203,853	216,128	226,650	236,971	248,589	255,339	271,602	292,687	305,452
520-2281	29,076	553	168,829	189,614	205,357	217,722	228,322	238,719	250,422	257,222	273,605	294,845	307,705
520-2293	27,144	452	168,022	188,708	204,376	216,682	227,231	237,578	249,226	255,993	272,298	293,436	306,234
520-2317	24,280	462	167,464	188,081	203,697	215,962	226,477	236,789	248,398	255,143	271,394	292,462	305,218
520-2400	41,174	686	185,353	208,173	225,456	239,032	250,669	262,084	274,933	-	-	-	-
520-2482	27,304	520	182,161	204,588	221,574	234,915	246,353	257,570	270,198	277,535	295,212	318,129	332,004
520-2510	25,872	431	181,626	203,987	220,923	234,226	245,629	256,814	269,405	276,720	294,345	317,195	331,029
520-2555	32,464	541	189,994	213,385	231,102	245,017	256,946	268,646	281,817	289,469	307,906	331,809	346,280
520-2778	39,006	650	213,665	239,970	259,894	275,543	288,958	302,116	316,927	-	-	-	-
520-2789	30,828	513	206,427	231,841	251,090	266,209	279,170	291,882	306,192	314,506	334,537	360,508	376,231
520-3063	37,526	625	235,256	264,220	286,157	303,387	318,158	332,645	348,954	358,429	381,258	410,856	428,775
530-2599	39,465	567	191,878	215,501	233,393	247,446	259,493	271,310	284,611	292,339	310,959	335,099	349,714
530-2772	44,829	644	207,228	232,741	252,064	267,242	280,253	293,014	307,380	-	-	-	-
530-2815	41,502	522	208,422	234,082	253,517	268,781	281,867	294,702	309,151	317,545	337,770	363,992	379,867
530-2940	36,162	519	214,454	240,857	260,854	276,561	290,026	303,232	318,099	326,736	347,546	374,527	390,861
530-3106	49,824	626	232,937	261,615	283,336	300,397	315,022	329,366	345,514	-	-	-	-
530-3143	40,674	584	231,748	260,280	281,890	298,863	313,413	327,685	343,750	353,084	375,573	404,729	422,380
530-3197	-	-	-	-	-	-	-	-	-	-	-	-	-
530-3208	38,580	485	233,831	262,619	284,423	301,549	316,230	330,630	346,839	356,257	378,948	408,366	426,176
530-3329	59,748	751	257,942	289,699	313,751	332,643	348,838	364,723	382,604	-	-	-	-
530-3411	37,950	545	249,424	280,131	303,390	321,657	337,318	352,678	369,968	380,014	404,218	435,598	454,596
530-3497	36,672	461	253,111	284,273	307,875	326,413	342,304	357,891	375,438	385,632	410,194	442,037	461,316
530-3537	45,717	575	262,024	294,283	318,716	337,906	354,358	370,494	388,658	399,211	424,637	457,603	477,560
530-3853	43,173	543	284,177	319,163	345,662	366,475	384,318	401,818	421,518	432,963	460,539	496,291	517,937
530-3861	56,019	704	297,137	333,719	361,427	383,189	401,845	420,143	440,742	-	-	-	-
530-4247	53,445	672	325,952	366,082	396,476	420,349	440,814	460,887	483,483	-	-	-	-

Capacity Based on 10° TD.

\* Additional models available to optimize selection. Contact factory for details.

"-" Ratings omitted due to high face velocities (over 625 FPM.)

**Electrical Data**

**Specifications**

XBOC Model*	Fan Motor Data				Defrost Heater Data			Connections (in.)					Approx. Refrig. Charge (lbs.)	Ship Weight (lbs.)	Operating Weight (lbs.)
	Qty.	HP	Amps		Watts <sup>3</sup>	Amps <sup>1</sup>		Liquid		Suction		Hot Gas <sup>2</sup>			
			208/230/3	460/3		230/3	460/3	Qty.	Size	Qty.	Size				
410-838	1	2	7.2	3.6	22,012	60.8	30.4	1	1 3/8	1	2 5/8	1 5/8	51	1,502	1,416
410-902	1	2	7.2	3.6	30,844	82.8	43.6	1	1 3/8	1	2 5/8	1 5/8	58	1,557	1,479
410-906	1	3	10.4	5.2	22,012	60.8	30.4	1	1 3/8	1	2 5/8	1 5/8	51	1,537	1,451
410-968	1	2	7.2	3.6	29,706	78.3	39.1	1	1 5/8	1	2 5/8	1 5/8	68	1,630	1,564
410-1006	1	3	10.4	5.2	30,844	82.8	43.6	1	1 3/8	1	2 5/8	1 5/8	58	1,592	1,514
410-1037	1	3	10.4	5.2	29,706	78.3	39.1	1	1 5/8	1	2 5/8	1 5/8	68	1,665	1,599
410-1052	1	2	7.2	3.6	n/a	104.8	61.7	1	1 5/8	1	2 5/8	1 5/8	79	1,702	1,647
410-1082	1	5	14.6	7.3	30,844	82.8	43.6	1	1 3/8	1	2 5/8	1 5/8	58	1,608	1,530
410-1083	1	2	7.2	3.6	n/a	n/a	n/a	1	1 5/8	1	2 5/8	1 5/8	85	1,756	1,710
410-1160	1	3	10.4	5.2	38,538	104.8	61.7	1	1 5/8	1	2 5/8	1 5/8	79	1,738	1,683
410-1162	1	3	10.4	5.2	n/a	n/a	n/a	1	1 5/8	1	2 5/8	1 5/8	85	1,791	1,745
410-1172	1	2	7.2	3.6	n/a	n/a	n/a	1	1 5/8	1	2 5/8	1 5/8	98	1,846	1,814
410-1256	1	5	14.6	7.3	38,538	104.8	61.7	1	1 5/8	1	2 5/8	1 5/8	79	1,753	1,698
410-1300	1	3	10.4	5.2	n/a	n/a	n/a	1	1 5/8	1	2 5/8	1 5/8	98	1,883	1,851
410-1426	1	5	14.6	7.3	n/a	n/a	n/a	1	1 5/8	1	2 5/8	1 5/8	98	1,898	1,866
420-1677	2	2	14.4	7.2	51,900	140.8	70.4	2	1 3/8	2	2 5/8	2 5/8	100	2,545	2,416
420-1804	2	2	14.4	7.2	60,800	170.8	85.4	2	1 5/8	2	2 5/8	2 5/8	114	2,651	2,539
420-1812	2	3	20.8	10.4	51,900	140.8	70.4	2	1 3/8	2	2 5/8	2 5/8	100	2,616	2,487
420-1936	2	2	14.4	7.2	60,800	170.8	85.4	2	1 3/8	2	2 5/8	2 5/8	134	2,792	2,702
420-2013	2	3	20.8	10.4	60,800	170.8	85.4	2	1 5/8	2	2 5/8	2 5/8	114	2,722	2,610
420-2074	2	3	20.8	10.4	60,800	170.8	85.4	2	1 3/8	2	2 5/8	2 5/8	134	2,864	2,774
420-2104	2	2	14.4	7.2	78,600	211.1	105.6	2	1 5/8	2	2 5/8	2 5/8	153	2,933	2,865
420-2164	2	2	14.4	7.2	n/a	n/a	n/a	2	1 5/8	2	2 5/8	2 5/8	167	3,039	2,988
420-2165	2	5	29.2	14.6	60,800	170.8	85.4	2	1 5/8	2	2 5/8	2 5/8	114	2,753	2,614
420-2320	2	3	20.8	10.4	78,600	211.1	105.6	2	1 5/8	2	2 5/8	2 5/8	153	3,005	2,937
420-2324	2	3	20.8	10.4	n/a	n/a	n/a	2	1 5/8	2	2 5/8	2 5/8	167	3,110	3,059
420-2343	2	2	14.4	7.2	n/a	n/a	n/a	2	1 5/8	2	2 5/8	2 5/8	191	3,216	3,193
420-2512	2	5	29.2	14.6	78,600	211.1	105.6	2	1 5/8	2	2 5/8	2 5/8	153	3,036	2,968
420-2616	2	3	20.8	10.4	n/a	n/a	n/a	2	1 5/8	2	2 5/8	2 5/8	191	3,287	3,264
420-2853	2	5	29.2	14.6	n/a	n/a	n/a	2	1 5/8	2	2 5/8	2 5/8	191	3,318	3,295
430-2346	3	2	21.6	10.8	64,634	187.1	93.5	2	1 5/8	2	2 5/8	2 5/8	133	3,424	3,169
430-2516	3	3	31.2	15.6	64,634	187.1	93.5	2	1 5/8	2	2 5/8	2 5/8	133	3,531	3,276
430-2529	3	2	21.6	10.8	n/a	n/a	n/a	2	1 5/8	2	2 5/8	2 5/8	152	3,565	3,332
430-2679	3	2	21.6	10.8	79,912	233.9	132.5	3	1 5/8	3	2 5/8	2 5/8	177	3,752	3,548
430-2810	3	3	31.2	15.6	n/a	n/a	n/a	3	1 5/8	3	2 5/8	2 5/8	152	3,671	3,438
430-2858	3	3	31.2	15.6	79,912	233.9	132.5	4	1 3/8	4	2 5/8	2 5/8	177	3,858	3,654
430-2922	3	2	21.6	10.8	n/a	n/a	n/a	3	1 3/8	3	2 5/8	2 5/8	202	3,939	3,765
430-2996	3	2	21.6	10.8	n/a	n/a	n/a	4	1 3/8	4	2 5/8	2 5/8	222	4,079	3,927
430-3025	3	5	43.9	21.9	n/a	n/a	n/a	3	1 5/8	3	2 5/8	2 5/8	152	3,718	3,485
430-3201	3	3	31.2	15.6	n/a	n/a	n/a	4	1 3/8	4	2 5/8	2 5/8	222	4,186	4,034
430-3213	3	3	31.2	15.6	n/a	n/a	n/a	3	1 3/8	3	2 5/8	2 5/8	202	4,045	3,871
430-3266	3	2	21.6	10.8	n/a	n/a	n/a	2	1 5/8	2	2 5/8	2 5/8	253	4,314	4,199
430-3516	3	5	43.9	21.9	n/a	n/a	n/a	4	1 5/8	4	2 5/8	2 5/8	202	4,092	3,918
430-3598	3	3	31.2	15.6	n/a	n/a	n/a	3	1 5/8	3	2 5/8	2 5/8	253	4,420	4,305
430-3985	3	5	43.9	21.9	n/a	n/a	n/a	3	1 5/8	3	2 5/8	2 5/8	253	4,467	4,352

\* Additional models available to optimize selection. Contact factory for details.

<sup>1</sup> Value for heater amps is total. Multiple circuits are required to keep within NEC guidelines of 48.8 amps. Two or more heater electrical circuits are required on units exceeding 48.8 amps total.

<sup>2</sup> Hot gas connection on drain pan, only on hot gas defrost models.

<sup>3</sup> Watts shown at 230/460 amperage. Watts reduced at 208 amperage.



**Electrical Data**

**Specifications**

XBOC Model*	Fan Motor Data				Defrost Heater Data			Connections (in.)					Approx. Refrig. Charge (lbs.)	Ship Weight (lbs.)	Operating Weight (lbs.)
	Qty.	HP	Amps		Watts <sup>3</sup>	Amps <sup>1</sup>		Liquid		Suction		Hot Gas <sup>2</sup>			
			208/230/3	460/3		230/3	460/3	Qty.	Size	Qty.	Size				
510-933	1	2	7.2	3.6	22,012	60.8	30.4	1	1 3/8	1	2 5/8	1 5/8	51	1,552	1,466
510-1002	1	3	10.4	5.2	22,012	60.8	30.4	1	1 3/8	1	2 5/8	1 5/8	51	1,588	1,502
510-1006	1	2	7.2	3.6	30,844	82.8	43.6	1	1 3/8	1	2 5/8	1 5/8	58	1,607	1,529
510-1063	1	2	7.2	3.6	29,706	78.3	39.1	1	1 5/8	1	2 5/8	1 5/8	68	1,678	1,612
510-1118	1	3	10.4	5.2	30,844	82.8	43.6	1	1 3/8	1	2 5/8	1 5/8	58	1,643	1,565
510-1140	1	3	10.4	5.2	29,706	78.3	39.1	1	1 5/8	1	2 5/8	1 5/8	68	1,713	1,647
510-1146	1	2	7.2	3.6	38,538	104.8	61.7	1	1 5/8	1	2 5/8	1 5/8	79	1,752	1,697
510-1158	1	2	7.2	3.6	n/a	n/a	n/a	1	1 5/8	1	2 5/8	1 5/8	85	1,805	1,759
510-1200	1	5	14.6	7.3	30,844	82.84	43.6	1	1 3/8	1	2 5/8	1 5/8	58	1,657	1,579
510-1241	1	3	10.4	5.2	n/a	n/a	n/a	1	1 5/8	1	2 5/8	1 5/8	85	1,840	1,794
510-1255	1	2	7.2	3.6	n/a	n/a	n/a	1	1 5/8	1	2 5/8	1 5/8	98	1,897	1,865
510-1277	1	3	10.4	5.2	38,538	104.8	61.7	1	1 5/8	1	2 5/8	1 5/8	79	1,787	1,732
510-1389	1	5	14.6	7.3	38,538	104.8	61.7	1	1 5/8	1	2 5/8	1 5/8	79	1,802	1,747
510-1394	1	3	10.4	5.2	n/a	n/a	n/a	1	1 5/8	1	2 5/8	1 5/8	98	1,932	1,900
510-1531	1	5	14.6	7.3	n/a	n/a	n/a	2	1 3/8	2	2 1/8	1 5/8	98	1,948	1,916
520-1866	2	2	14.4	7.2	51,900	140.8	70.4	2	1 3/8	2	2 5/8	2 5/8	100	2,644	2,515
520-2005	2	3	20.8	10.4	51,900	140.8	70.4	2	1 3/8	2	2 5/8	2 5/8	100	2,715	2,586
520-2014	2	2	14.4	7.2	60,800	170.8	85.4	2	1 5/8	2	2 5/8	2 5/8	114	2,750	2,638
520-2169	2	2	14.4	7.2	60,800	170.8	85.4	2	1 5/8	2	2 5/8	2 5/8	134	2,891	2,801
520-2237	2	3	20.8	10.4	60,800	170.8	85.4	2	1 5/8	2	2 5/8	2 5/8	114	2,821	2,709
520-2281	2	3	20.8	10.4	60,800	170.8	85.4	2	1 5/8	2	2 5/8	2 5/8	134	2,963	2,873
520-2293	2	2	14.4	7.2	78,600	211.1	105.6	2	1 5/8	2	2 5/8	2 5/8	153	3,032	2,964
520-2317	2	2	14.4	7.2	n/a	n/a	n/a	2	1 5/8	2	2 5/8	2 5/8	167	3,138	3,087
520-2400	2	5	29.2	14.6	60,800	170.8	85.4	2	1 5/8	2	2 5/8	2 5/8	114	2,852	2,740
520-2482	2	3	20.8	10.4	n/a	n/a	n/a	2	1 5/8	2	2 5/8	2 5/8	167	3,209	3,158
520-2510	2	2	14.4	7.2	n/a	n/a	n/a	2	1 5/8	2	2 5/8	2 5/8	191	3,315	3,292
520-2555	2	3	20.8	10.4	78,600	211.1	105.6	2	1 5/8	2	2 5/8	2 5/8	153	3,104	3,036
520-2778	2	5	29.2	14.6	78,600	211.1	105.6	2	1 5/8	2	2 5/8	2 5/8	153	3,135	3,067
520-2789	2	3	20.8	10.4	n/a	n/a	n/a	2	1 5/8	2	2 5/8	2 5/8	191	3,386	3,363
520-3063	2	5	29.2	14.6	n/a	n/a	n/a	2	1 5/8	2	2 5/8	2 5/8	191	3,417	3,394
530-2599	3	2	21.6	10.8	64,634	187.1	93.5	2	1 5/8	2	2 5/8	2 5/8	133	3,572	3,317
530-2772	3	3	31.2	15.6	64,634	187.1	93.5	2	1 5/8	2	2 5/8	2 5/8	133	3,679	3,424
530-2815	3	2	21.6	10.8	n/a	n/a	n/a	3	1 3/8	3	2 5/8	2 5/8	152	3,713	3,480
530-2940	3	2	21.6	10.8	79,912	233.9	132.5	2	1 5/8	2	2 5/8	2 5/8	177	3,900	3,696
530-3106	3	3	31.2	15.6	n/a	n/a	n/a	3	1 5/8	3	2 5/8	2 5/8	152	3,820	3,587
530-3143	3	3	31.2	15.6	79,912	233.9	132.5	4	1 3/8	4	2 1/8	2 5/8	177	4,007	3,803
530-3197	3	2	21.6	10.8	n/a	n/a	n/a	4	1 3/8	4	2 5/8	2 5/8	222	4,228	4,076
530-3208	3	2	21.6	10.8	n/a	n/a	n/a	3	1 3/8	3	2 5/8	2 5/8	202	4,087	3,913
530-3329	3	5	43.8	21.9	n/a	n/a	n/a	3	1 5/8	3	2 5/8	2 5/8	152	3,866	3,633
530-3411	3	3	31.2	15.6	n/a	n/a	n/a	4	1 3/8	4	2 1/8	2 5/8	222	4,335	4,183
530-3497	3	2	21.6	10.8	n/a	n/a	n/a	2	1 5/8	2	3 1/8	2 5/8	253	4,462	4,347
530-3537	3	3	31.2	15.6	n/a	n/a	n/a	3	1 3/8	3	2 5/8	2 5/8	202	4,194	4,020
530-3853	3	3	31.2	15.6	n/a	n/a	n/a	3	1 5/8	3	2 5/8	2 5/8	253	4,569	4,454
530-3861	3	5	43.8	21.9	n/a	n/a	n/a	4	1 5/8	4	2 5/8	2 5/8	202	4,240	4,066
530-4247	3	5	43.8	21.9	n/a	n/a	n/a	3	1 5/8	3	2 5/8	2 5/8	253	4,615	4,500

\* Additional models available to optimize selection. Contact factory for details.

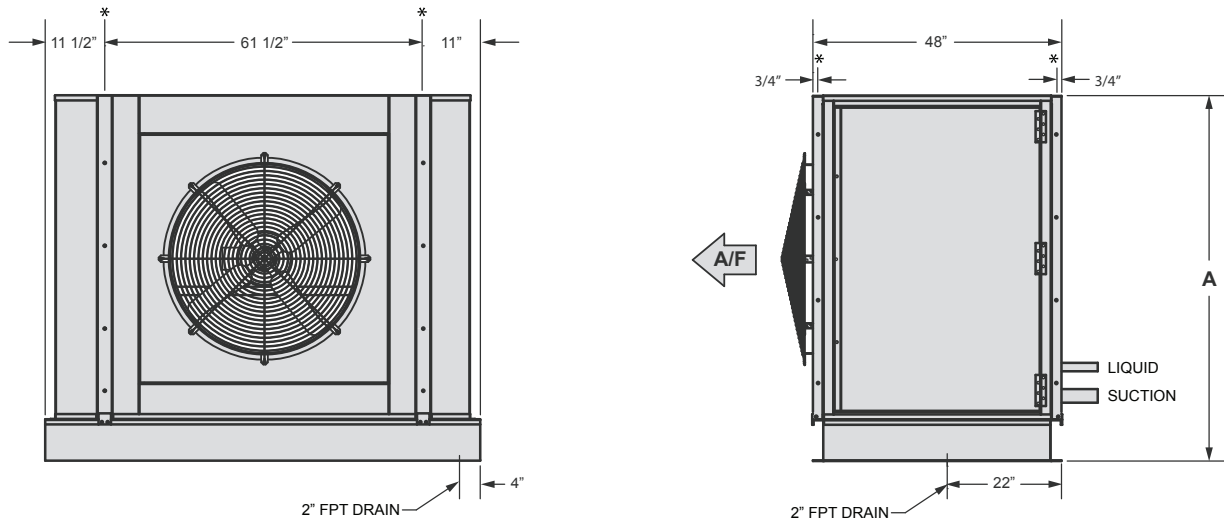
<sup>1</sup> Value for heater amps is total. Multiple circuits are required to keep within NEC guidelines of 48.8 amps. Two or more heater electrical circuits are required on units exceeding 48.8 amps total.

<sup>2</sup> Hot gas connection on drain pan, only on hot gas defrost models.

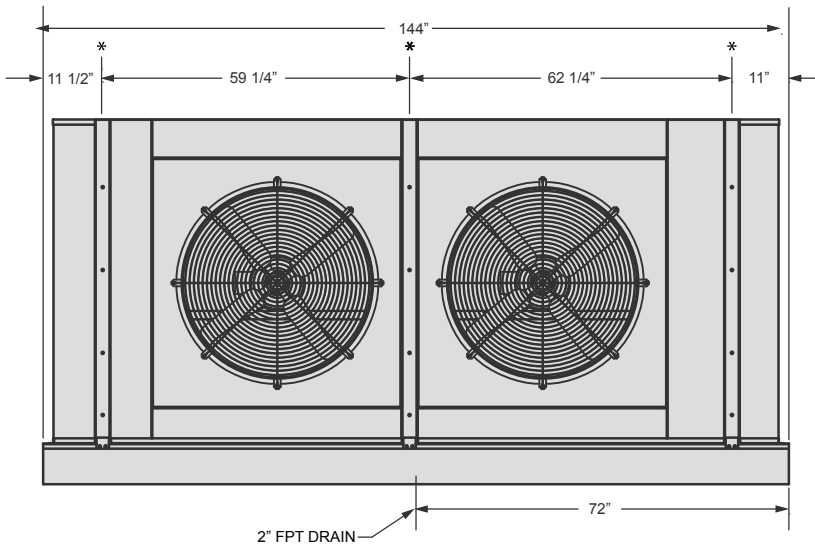
<sup>3</sup> Watts shown at 230/460 amperage. Watts reduced at 208 amperage.

# Dimensions<sup>1</sup>

## One Fan Models

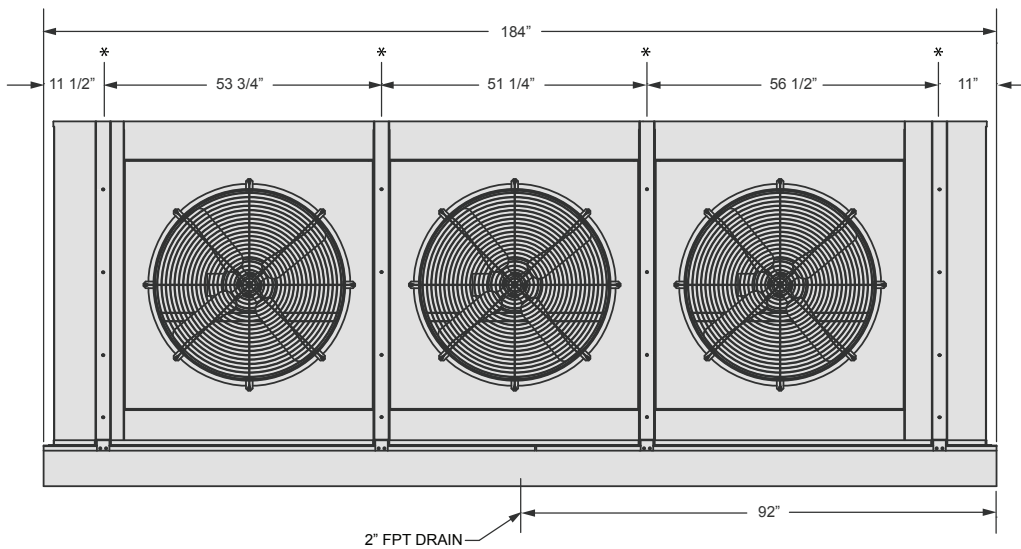


## Two Fan Models



<sup>1</sup> Dimensions +/- 1/2"  
 \* 13/16" diameter unit mounting holes  
**NOTE:** 48" clearance required on all sides.

## Three Fan Models



# Dimensions<sup>1</sup>

## 4 FPI Models

1 Fan	2 Fan	3 Fan	A (Height)	1 Fan	2 Fan	3 Fan	A (Height)
410-838	420-1677	430-2346	70.5"	410-902	420-2013	430-2529	88.5"
410-906	420-1804	430-2516		410-1006	420-2165	430-2810	
410-968	420-1812	430-2679		410-1052	420-2320	430-2922	
410-1037	420-1936	430-2858		410-1082	420-2324	430-3025	
410-1083	420-2074	430-2996		410-1160	420-2343	430-3213	
410-1162	420-2104	430-3201		410-1172	420-2512	430-3266	
-	420-2164	-		410-1256	420-2616	430-3516	
-	-	-		410-1300	420-2853	430-3598	
-	-	-		410-1426	-	430-3985	

## 5 FPI Models

1 Fan	2 Fan	3 Fan	A (Height)	1 Fan	2 Fan	3 Fan	A (Height)
510-933	520-1866	530-2599	70.5"	510-1006	520-2014	530-2815	88.5"
510-1002	520-2005	530-2772		510-1118	520-2237	530-3106	
510-1063	520-2169	530-2940		510-1146	520-2293	530-3208	
510-1140	520-2281	530-3143		510-1200	520-2400	530-3329	
510-1158	520-2317	530-3197		510-1255	520-2510	530-3497	
510-1241	520-2482	530-3411		510-1277	520-2555	530-3537	
-	-	-		510-1389	520-2778	530-3853	
-	-	-		510-1394	520-2789	530-3861	
-	-	-		510-1531	520-3063	530-4247	

<sup>1</sup> Dimensions +/- 1/2"

**NOTE:** 48" clearance required on all sides.

## Product Benefits:

### **Adaptability-**

Century systems go where others can't. Your Century system is engineered to meet your specific project application and job requirements in-house with no need for modification in the field. With Century's extensive inventory of components, your order can be shipped when you need it.

### **Durability-**

Your Century system will be built with heavy gauge construction and the highest quality components to optimize efficiency for the life expectancy of your system. Century systems are engineered for **Time Tested Toughness.**

### **Serviceability-**

Your Century system will have easily accessible components and appropriate fin spacing to allow for easy maintenance. Century systems are engineered to be serviceable with a minimal amount of OEM components. A large inventory of replacement parts ensures professional, reliable service throughout the lifetime of your Century system.

### **Reduced Total Cost of Ownership-**

The adaptability, durability, and serviceability of your Century system results in reduced installation costs, maintenance costs, and utility costs throughout the lifetime of your system. Century systems are designed for customers requiring long-term, dependable systems.

## The current refrigeration market...

### **Commercial Refrigeration**

- Shipped from stock
- No modifications available; one size fits all equipment
- Lightweight construction
- Convenience store and restaurant applications
- Options/kits shipped loose for field assembly/installation
- Cheaper, lower quality materials

### **Industrial Refrigeration**

- Central refrigeration plant
- Dedicated mechanical rooms
- Stationary Engineer requirements
- PLC (Microprocessor) controls
- Steel construction
- Requires extensive piping in the field

now presenting...

## **Comdustrial™ Refrigeration**

***Comdustrial™ Refrigeration Systems are the ideal balance of the commercial and industrial refrigeration markets.***

- Industrial quality equipment in Commercial capacity ranges
- Built-to-order refrigeration systems with exceptional lead times
- Professionally represented by systems oriented Sales Representatives
- Systems based approach to your application
- Project specific submittal packages and drawings
- Quality materials for long-term equipment life



4492 Hunt St - Pryor, OK 74361 - (918) 825-7222 - Fax (800) 264-5329

**[www.century-refrigeration.com](http://www.century-refrigeration.com)**

We reserve the right to change or revise specifications and product design in connection with any feature of our products. Such changes do not entitle the buyer to corresponding changes, improvements, additions or replacement for equipment previously sold or shipped.

Bulletin# C-TC-XBOC-0218