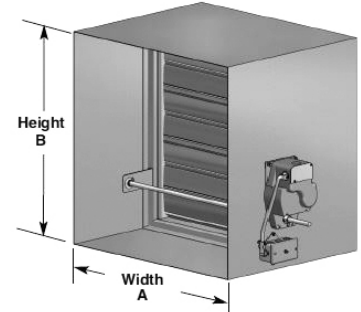


FSD60-3

COMBINATION FIRE AND SMOKE DAMPER 3 HOUR UL555 RATED, UL555S LEAKAGE CLASS 1

APPLICATION

The FSD60-3 is a combination fire and smoke damper designed with airfoil blades for the lowest pressure drop that provides point-of-origin fire containment and operational flexibility in static and dynamic smoke management systems. The FSD60-3 may be installed vertically in walls or horizontally in concrete floors and has been qualified to 2,000 fpm and 4" w.g. on all sizes and 4,000 fpm and 8" w.g. on select sizes (consult Ruskin for size information).



STANDARD CONSTRUCTION	
Description	FSD60-3
Frame	5" x 16 gauge (127 x 1.6) galvanized, single piece, hat-shaped channel, structurally superior to 13 (2.4) gauge channel frame.
Blades	One-piece airfoil, nominal 6" (152) wide and 14 (2.0) gauge galvanized steel equivalent strength. Blades are approximately 6" (152) on center.
Bearings	Stainless steel sleeve type, pressed into frame.
Jamb Seals	Stainless steel, flexible metal compression type.
Blade Seals	Silicone edge type for smoke seal to 450°F (232°C) and galvanized steel for flame seal to 1900°F (1038°C) mechanically fastened to the blade edge.
Linkage	Concealed in frame.

MAXIMUM OPERATIONAL RATINGS	
Description	FSD60-3
UL555S Leakage Rating	Class I
UL555 Hourly Rating	3 Hour
Maximum Velocity	4000 FPM (20.3 m/s)
Maximum Pressure	8 in. wg (2kPa)
Temperature	350°F (177°C)

OPTIONS

- **FM Approvals** as Specification Tested Product.
- **DTS (Damper Test Switch)** test switch for cycle testing.
- **TS150** for reopenable operation in dynamic smoke management systems.
- **DSD/SDSN Duct Smoke Detector** (Flow rated or No-Flow).
- **SP100 Switch Package** to allow remote indication of damper blade position.
- **MCP** control panels for testing or monitoring purposes or smoke management systems.
- **Factory Sleeves** of various lengths and gauges to ensure field compliance with UL installation requirements.
- **PFMA Angles** factory supplied for labor saving angles two-side installation. Other angles of various sizes and gauges also available for two-side installation.
- **Stainless Steel Linkage** – 304 stainless steel.

DAMPER SIZES

Sizes indicated below are for ratings of 2000 FPM (10.2 m/s) and 4 in. w.g. (1 kPa).

MINIMUM SIZE

8"w x 6"h (203 x 152).

MAXIMUM SIZE

Single Section

30"w x 48"h (762 x 1219)

Multiple Section

Vertical Installation – 120"w x 96"h (3048 x 2438)

Horizontal Installation – 144"w x 96"h (3658 x 2438)

CONTROLLED CLOSURE DEVICE (HEAT-ACTUATED)

EFL (Electric Fuse Link) - 165°F (74°C) standard. 212°F (100°C), 250°F (121°C), 350°F (177°C) available.

PFL (Pneumatic Fuse Link) - 165°F (74°C) standard. 212°F (100°C), 285°F (141°C) available.

NOTES

1. Damper are furnished approximately 1/4" (6) smaller than given opening dimensions.
2. Dimensions shown in parentheses () indicate millimeters

UL CLASSIFIED

UL555 Listing R5531, UL555S Listing R5531

Model FSD60-3 meets the requirements for fire, smoke and combination fire and smoke dampers established by:

- **National Fire Protection Association** NFPA Standards 90A, 92A, 92B, 101 and 105.
- **ICC International Building Codes**
- **CSFM California State Fire Marshal** Listing (#3225-245:1026)
- **New York City** (MEA 252-05-3)

AMCA LICENSED AIR PERFORMANCE DATA



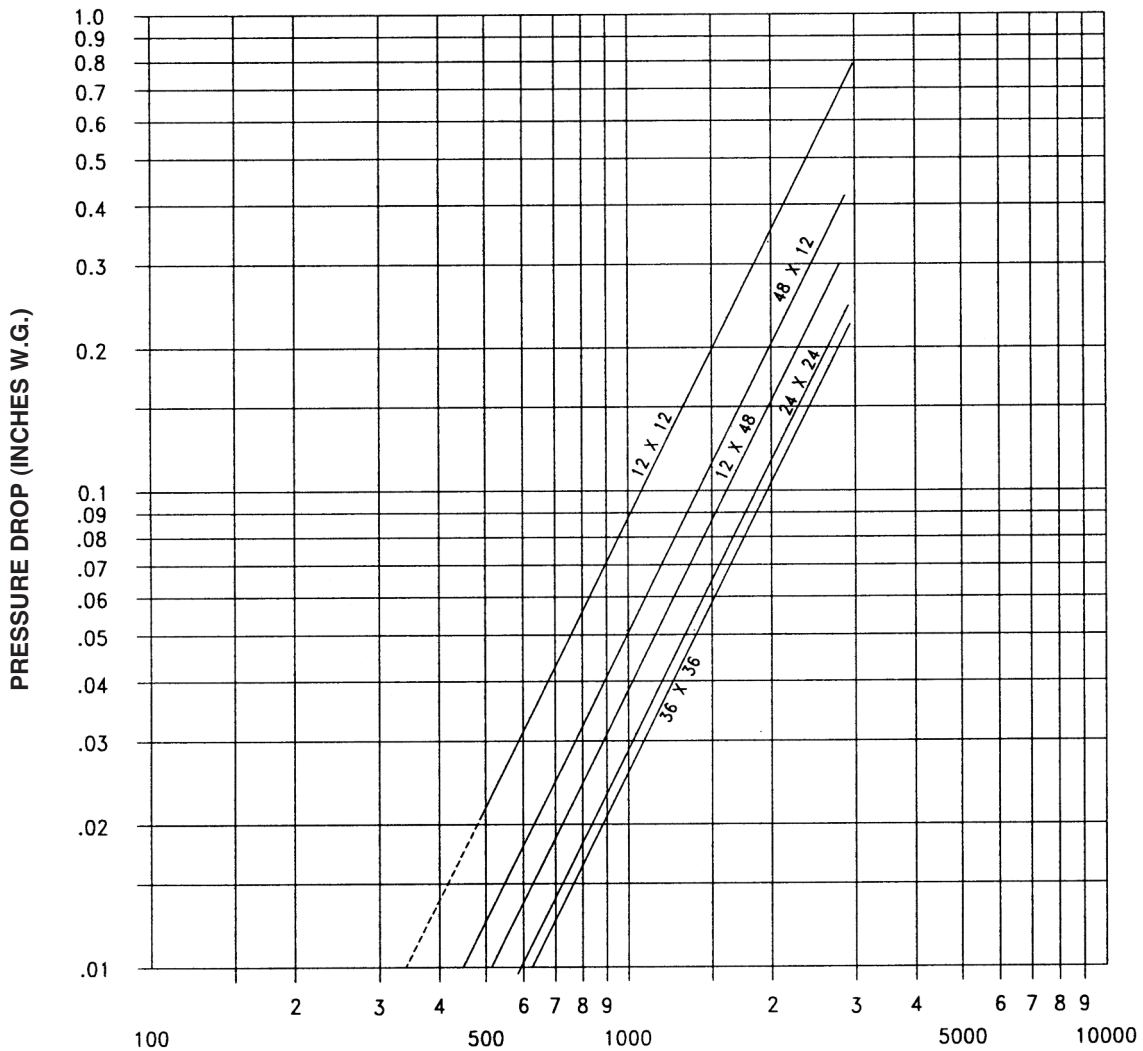
Ruskin Company certifies that the FSD60-3 shown hereon is licensed to bear the AMCA Seal. The ratings shown are based on tests and procedures performed in accordance with AMCA Publication 511 and comply with the requirements of the AMCA Certified Ratings Program. The AMCA Certified Ratings Seal applies to air performance for the FSD60-3.

To determine the AMCA Licensed air performance:

Locate the applicable feet per minute face velocity on the bottom of the velocity vs. pressure drop chart below. Move up the chart to the most appropriate size damper line. From the intersection point, move left to determine the pressure drop on the left side of the chart.

For other damper sizes refer to **Air Performance Data For All Fire and Smoke Dampers** spec sheet.

VELOCITY vs. PRESSURE DROP



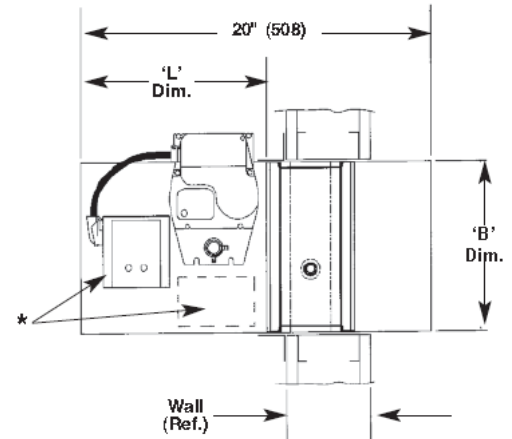
FACE VELOCITY - FEET/MINUTE
AMCA Fig. 5.3

FSD60-3 SLEEVE DIMENSIONAL DATA

The 'L' dimension is the distance from the end of the sleeve to the damper. The standard damper location in the sleeve provides enough space for the actuator, controls, mounting angles and duct connection. The standard sleeve length for FSD's is 20" (508) long and the standard 'L' dimension is 10⁵/₈" (270). The standard 'L' dimension allows the end of the sleeve to be a minimum of 10⁵/₈" (270) to the wall/floor and up to a maximum of 12¹/₂" (318) to the wall/floor.

*The EFL, PFL, SP100 or TS150 location may be located above, below or on the side of the actuator depending upon the dampers height.

Optional 17" (432) long sleeve length available. Due to space limitations for actuators and controls with 17" (432) long sleeves, the damper height ('B' dimension) is restricted to the dimensions shown on the chart below. Consult Ruskin for other sleeve lengths.



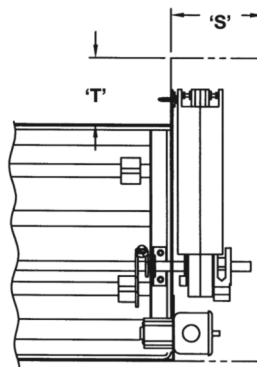
7 ¹ / ₈ " (181) 'L' Dim. for Sleeves Shorter than 20" (508) Long				
Without Accessories	With Accessories (TS150, SP100 or DTS)			
Electric or Pneumatic Actuators	Electric Actuators	Pneumatic Actuators		
		331-4827	331-2961	331-3060
Over 10" (250) 'B' Dim.	Over 21" (533) 'B' Dim.	Over 28" (711) 'B' Dim.	Over 32" (813) 'B' Dim.	Over 40" (1016) 'B' Dim.

NOTE: The 21" (4533) dimension becomes 32" (813) when the MS4120, FSNF, FSAF and GGD series are utilized.

FSD60-3 SPACE ENVELOPE

Combination fire smoke dampers are required by the UL listing to have all actuators and accessories factory mounted, wired and/or piped. The Ruskin standard is for the actuator to be located on the right hand side of the damper (onto a factory installed sleeve or side plate) as viewed from the jackshaft face of the unit. Larger units may require multiple actuators which are located on the right, left and maybe internal mount locations. See the "Multiple Section Detail" specification sheet for details. Ruskin's fire smoke dampers are not air flow directional, so the dampers may be rotated 180° or turned over as long as the blades are running horizontally in a position to accommodate installation obstructions.

The adjacent chart indicates an "S" and a "T" dimension for the space envelope that each actuator requires for installation. The "S" dimension is the "side" clearance, the "T" dimension is the "top" clearance required for the various actuators approved for use with Ruskin fire smoke dampers.



Ruskin recommends 6" (152) of additional space beyond the "S" dimension for ease of maintenance.

ACTUATORS	S	T
FSLF, FSTF	4" (102)	0" (0)
FSNF, FSAF, MS4120	5" (127)	5" (127)
331-4827	5" (127)	6" (152)
331-2961	8" (203)	8" (203)
331-3060	9" (229)	11" (279)

NOTES

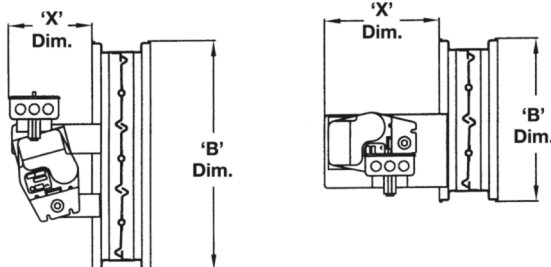
- The dimensions shown in the chart above are for dampers 14" (356) tall.
- Dampers shorter than 14" (356) tall, increase the "T" dimension by 1" (25) for every 1" (25) the damper is less than 14" (356).
- Dampers taller than 14" (356) high reduce the "T" dimension by 1" (25) for every 1" (25) the damper height is greater than 14" (356).

Example:

- 12" (305) tall damper with a FSLF actuator, "T" = 2" (52) and "S" = 4" (102).
- 18" (457) tall damper with a FSNF actuator, "T" = 1" (25) and "S" = 5" (127).

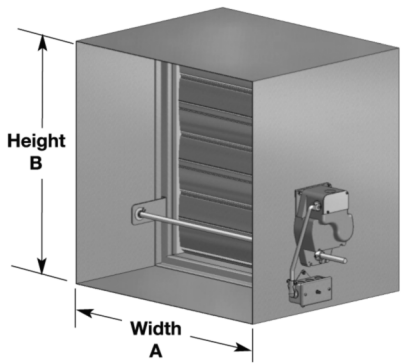
FSD60-3 INTERNAL MOUNT ACTUATOR DIMENSION

Ruskin model FSD60-3 has been tested for internal mount actuators and accessories. These applications may be preferred where space is limited on the outside of the damper. Internally mounted actuators do not require the damper to have a factory installed sleeve or side plate.

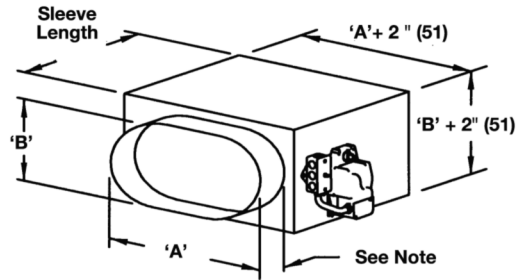


ACTUATORS	B Dim and Above		B Dim and Above	
	B	X	B	X
FSLF, FSTF	10" (154)	10" (154)	18" (457)	7 ¹ / ₂ " (191)
FSNF, FSAF, MS4120	12" (305)	12 ³ / ₄ " (324)	21" (533)	5 ¹ / ₂ " (533)
331-4827	16" (406)	15" (381)	21" (533)	7 ¹ / ₂ " (191)
331-2961	16" (406)	17" (432)	24" (610)	7 ¹ / ₂ " (191)
331-3060	20" (508)	19" (483)	26" (660)	9" (229)

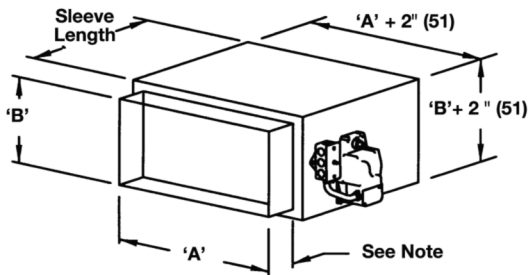
DIMENSIONAL INFORMATION



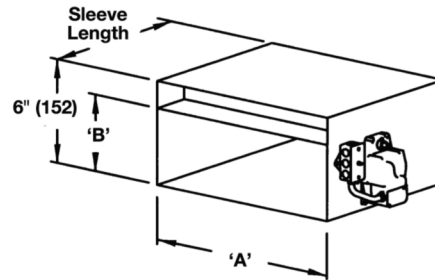
FSD60-3 Style A



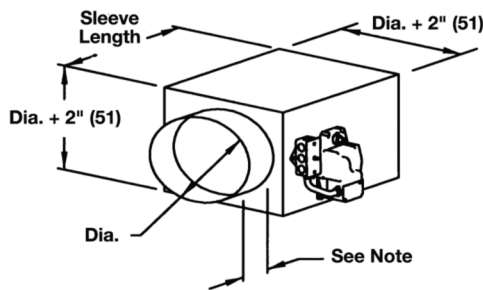
FSD60-3 Style LO, CO & WO



FSD60-3 Style C and WC



FSD60-3 Style B



FSD60-3 Style R, CR and WR

DUCT TRANSITION CONNECTIONS

FSD60-3 Series dampers may be supplied with Round, Oval and Rectangular duct connections.

Style	Description
B	Units Under 6" (152) Tall
R	Round Non-Sealed (Low Pressure)
CR	Round Sealed (Medium Pressure)
WR	Round Welded (High Pressure)
C	Rectangular Sealed (Low and Medium Pressure)
WC	Rectangular Welded (High Pressure)
LO	Oval Non-Sealed (Low Pressure)
CO	Oval Sealed (Medium Pressure)
WO	Oval Welded (High Pressure)

The square damper size will be 2" (51) larger in width and height than the round, oval or rectangular duct size ordered.

MINIMUM and MAXIMUM SIZES

Round Transitions

Minimum 4" (102) diameter
Maximum 94" (2388) diameter

Rectangular and Oval Transitions

Minimum 6" w x 4" h (152 x 102)
Maximum 118" w x 94" h (2997 x 2388) in diameter

'B' Style Transitions

Minimum height 4" (102) 'B' style transitions are utilized on units where the damper height is less than 6" (152).

Consult Ruskin for other available styles and sizes.

Note: For low and medium pressure units (Styles R, CR, C and CO) the collar extends 1 1/2" (38) beyond the sleeve length and for high pressure units (Styles WR, WC and WO) the collar extends 2 1/2" (64) beyond the sleeve length.

Approximate damper assembly weight: 17 lbs. per sq. ft. for Style A

SPECIFICATION

Combination fire smoke dampers meeting or exceeding the following specifications shall be furnished and installed at locations shown on plans or as described in schedules. Combination fire smoke dampers shall be produced in an ISO 9001 certified factory and shall be warranted to be free from defects in material and workmanship for a period of 5 years after date of shipment. Dampers shall meet the requirements of NFPA80, 90A, 92A, 92B, 101 and 105 and shall have a fire rating of 3 hours in accordance with the latest edition of UL555 and shall be classified as Leakage Class I Smoke Dampers in accordance with the latest version of UL555S. Dampers shall be AMCA Licensed and the product literature shall bear the AMCA certified rating seal for air performance. AMCA certified testing shall verify pressure drop does not exceed .03" w.g. on a 24" x 24" (305 x 305) damper at a face velocity of 1000 fpm.

Damper frame (when size permits) shall be constructed using the UniFrame Design Concept (UDC) and shall be minimum 16 gauge (1.6) galvanized steel formed into a structural hat channel superior to 13 gauge (2.4) channel frame. Damper blades shall be single piece airfoil shaped with 14 (2.0) gauge equivalent strength. Blade edge seals shall be inflatable silicone mechanically locked into blade edge. Jamb seals shall be stainless steel compression type. Bearings shall be stainless steel, permanently lubricated sleeve type turning in an extruded hole in the frame for maximum life.

Combination fire smoke dampers and their actuators shall be qualified in accordance with UL555S to an elevated temperature of 250°F (121°C) or 350°F (177°C) depending upon the actuator. Appropriate electric or pneumatic actuators (specifier select one) shall be installed by the damper manufacturer at time of damper fabrication. Electric actuators, factory installed on dampers, shall have been tested for prolonged periods of holding (minimum 1 year) with no evidence of reduced spring return performance. Each damper shall be rated for leakage and airflow in either direction through the damper. In addition to the leakage ratings already specified, the dampers shall be AMCA licensed for Air Performance.

Optional FM Approvals Specification

Each combination fire smoke damper shall be listed in Factory Mutual (FM) approvals Specification Tested Product and labeled accordingly.

Combination fire smoke dampers shall be Ruskin FSD60-3.

(Consult www.ruskin.com for electronic version of this "Quick" spec as well as for complete 3-part CSI MasterFormat Specifications)

RUSKIN[®]

3900 Dr. Greaves Rd.
Kansas City, MO 64030
(816) 761-7476
FAX (816) 765-8955
www.ruskin.com