

# ZEPHYR

Ceiling Exhaust Fans

TECHNICAL SPECIFICATIONS



PENNBARRY™

BULLETIN Z18

# TABLE OF CONTENTS

INTRODUCTION	3-6
CERTIFICATIONS & LISTINGS	7
Z3 - Z12   CEILING FANS	8-9
Z8, Z10, Z12-GPE   CEILING FANS	10
Z3 - Z12 (TDA)   CEILING FANS	11-12
Z14 & Z15   LARGE CAPACITY CEILING FANS	13-14
ZT & ZJ1   LOW PROFILE CEILING FANS	15
TRANSFAN   TRANSFER FAN	16
Z1, ZL1, & ZL2   CEILING FANS WITH LIGHT	17
Z2   LOW FLOW CEILING FAN	18
ZQ80(L)-GPE AND ZQ110(L)-GPE DIMENSIONS AND PERFORMANCE	19

# INTRODUCTION

## Zephyr Z & Z-TDA Models

The Zephyrs, model Z, are quiet ceiling exhaust fans. Some selections are available with sound ratings below 1 sone. There are 15 types of models that cover a wide range of performance. The units are easily field convertible to change the discharge orientation from right angle to top discharge. They are also easily field convertible from ceiling (model Z) to inline (model Z-TDA) installations. There are multiple sizes that utilize 2 speed motors that allow these units to cover an even greater range. All motors are equipped with thermal overload protection as standard. The units utilize quick access wiring to make them easy to install. Many of the units are offered with variable speed motor control which will allow for easy balancing. All models are AMCA Air and Sound rated and UL507 listed. Select models are UL705 listed. ENERGY STAR® is also available on select models.



*Zephyr*



### Model: Z2 - Z12

- Zephyr models are ENERGY STAR approved.
- Static pressure up to 1.25" wg.
- Flow capacity up to 1566 CFM.



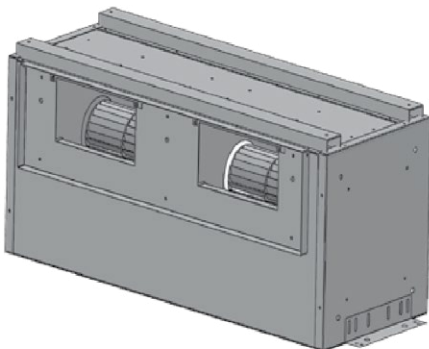
*Zephyr TDA*

### Model: Z2 - Z12 (TDA)

- Static pressure up to 1.5" wg.
- Flow capacity up to 1519 CFM.

## Large Capacity Zephyr Fans

PennBarry Zephyr fan models Z14 and Z15 are designed to produce high volumes of air at low noise levels. Fans can be used for general ventilation and exhaust applications. These larger capacity fans will accommodate single or multi-room ventilation and can be installed above the ceiling. The units are AMCA Air certified and UL705 listed. The Z14 is also UL507 listed.



### Model: Z14 & Z15

- Static pressure up to 1" wg.
- Flow capacity up to 3290 CFM.

# INTRODUCTION

## Zephyrette & Zephyr Jr.

The Zephyrette, ZT, and Zephyr Junior, ZJ1, are quiet low profile Zephyrs. They can be installed into very shallow ceilings where other units will not fit. A speed controller is available for both models for precise system balancing and energy conservation. The units come standard with thermally protected motors, AMCA Air rated and UL705, UL507, and CSA listed.



### Model: Zephyrette & Zephyr Jr. (ZT & ZJ1)

- Static pressure up to 0.75" wg.
- Flow capacity up to 160 CFM.

## Zephyr Transfan

The Transfan is a room-to-room transfer fan. It has an adjustable wall sleeve for varying wall thicknesses and fits easily between wall studs or ceiling joists. It is supplied with a built-in variable speed motor control. It is UL705, UL507, and CSA listed.



### Model: Transfan (TF-8)

- Static pressure up to 0.2" wg.
- Flow capacity up to 255 CFM.

# INTRODUCTION

## Zephyr Ceiling Fan

The Zephyr, Z1, is for very low flow requirements. The unit comes with a white polymeric grille and utilizes a quiet centrifugal blower wheel. The housing is made from rugged steel and has built in mounting brackets. The exhaust connection is a 4" polymeric round duct connector that has a durable damper that eliminates backdrafts and produces no metallic clatter. The Z1 is UL507 listed for use over bathtubs and showers when connected to a GFCI protected branch circuit. The Z1 is AMCA licensed for Sound and Air performance.



### Model: Z1

- Static pressure up to 0.5" wg.
- Flow capacity up to 56 CFM.

## Zephyr Ceiling Fans with Light

The Zephyr Light models, ZL1 and ZL2, come with a maximum of 100 watt incandescent lighting (bulb not included). The units are supplied with an open drip proof motor that utilizes sealed bearings. The units come with a white polymeric grille that has an unbreakable light lens. They utilize quiet centrifugal blower wheels with plug-in receptacles for the fan and light. The housing is made from rugged steel and has built-in mounting brackets. The exhaust connection is a 4" polymeric round duct connector that has a durable damper that eliminates backdrafts and produces no metallic clatter. The models are UL507 listed for use over bathtubs and showers when connected to a GFCI protected branch circuit. The units are AMCA licensed for Sound and Air performance.



### Model: ZL1 & ZL2

- Static pressure up to 0.5" wg.
- Flow capacity up to 97 CFM.

# INTRODUCTION

## Zephyr Quiet Ceiling Fan

The Zephyr Quiet line (ZQ) achieves a <0.3 Sone level which provides a nearly silent operation for minimal disruption of your environment. Suitable for intermittent or continuous ventilation needs, the unit comes with a white polymeric grille and utilizes a quiet centrifugal blower wheel. The housing is made from rugged steel and has built-in mounting brackets. The exhaust connection is a 6" polymeric round duct connector that has a durable damper that eliminates backdrafts and produces no metallic clatter. The Zephyr Quiet Light (L) models come with a bright, energy efficient 36-watt fluorescent lighting. The ZQ line is UL507 listed for use over bathtubs and showers when connected to a GFCI protected branch circuit. The ZQ line is AMCA licensed for Sound and Air performance and ENERGY STAR® certified.



### Models: ZQ80(L)-GPE & ZQ110(L)-GPE

- Static pressure up to 0.625" wg.
- Flow capacity up to 110 CFM.

# CERTIFICATIONS & LISTINGS



## AMCA Certification

PennBarry certifies that the Zephyr models shown herein (excludes Transfan) are licensed to bear the AMCA Seal. The ratings shown are based on tests and procedures performed in accordance with AMCA Publication 211 and AMCA Publication 311 and comply with the requirements of the AMCA Certified Ratings Program.



## cULus Certification

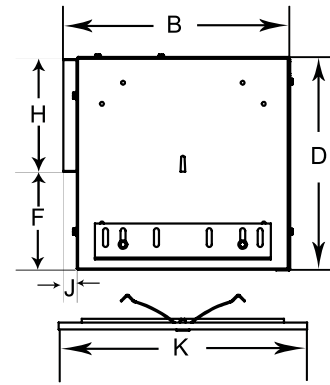
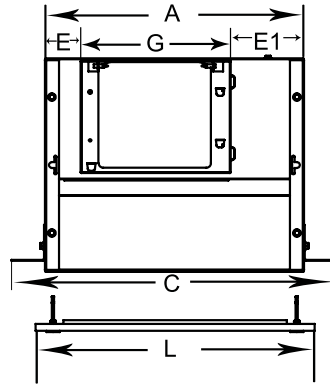
Zephyr fans carry the UL label, UL705, (ZACT/ZACT7), file #E28413 and UL507, (GPWX), file #E39313. Zephyr fan radiation dampers carry the UL label UL555C, (CABS), file #R8039.

Models Z1, ZL1, ZL2, Z8-GP, Z10-GP, Z12-GP, ZQ80(L)-GPE, ZQ110(L)-GPE, Z8-GPE, Z10-GPE, Z12-GPE are not UL705 certified. Model Z15 is not UL507 certified.



Fans that are ENERGY STAR® qualified include: Z2-E, Z8-GPE, Z10-GPE, Z12-GPE, ZQ80(L)-GPE and ZQ110(L)-GPE

# Z3 - Z12 | CEILING FANS



Model	Housing							Outlet Duct			Grille	
	A	B	C	D	E	E1	F	G	H	J	K	L
Z3, 5, 6	12 1/2"	9 1/8"	16"	9 1/8"	1 1/4"	1 1/4"	5 3/8"	10"	3 1/4"	3/4"	11"	13 3/4"
Z8, 81, 8-GP, 8-GPE	13 7/8"	11 3/8"	17 3/8"	11 3/8"	1 7/8"	4"	5 1/4"	8"	6"	3/4"	13 1/4"	14 7/8"
Z10, 10-GP, 10-GPE	18"	14 1/8"	21 1/2"	14 1/8"	3 5/8"	6 3/8"	8"	8"	6"	3/4"	15 1/2"	19 3/8"
12, 101, 102, 121, 12-GP, and 12-GPE	24"	14 1/8"	27 1/2"	14 1/8"	1"	1"	8"	22"	6"	3/4"	15 1/2"	25"

Model	Max. Watts	Amps	RPM	SP	0.000"	0.125"	0.250"	0.375"	0.500"	0.625"	0.750"
Z3H	39	0.5	1550	CFM	119	83	-	-	-	-	-
				HEMISPHERICAL SONES <sup>3</sup>	4.5	4.1	-	-	-	-	
				SPHERICAL SONES <sup>4</sup>	3.6	3.2	-	-	-	-	
Z5H	79	1	1550	CFM	192	163	128	93	-	-	-
				HEMISPHERICAL SONES <sup>3</sup>	3.4	3.3	3.3	3.4	-	-	-
				SPHERICAL SONES <sup>4</sup>	1.5	1.6	1.6	1.7	-	-	-
Z6S5	47	0.6	1050	CFM	123	101	82	-	-	-	-
				HEMISPHERICAL SONES <sup>3</sup>	0.9	1.4	1.8	-	-	-	-
				SPHERICAL SONES <sup>4</sup>	0.2	0.5	0.9	-	-	-	-
Z6H5	108	1.4	1550	CFM	230	196	166	122	-	-	-
				HEMISPHERICAL SONES <sup>3</sup>	3.3	3	3	3.1	-	-	-
				SPHERICAL SONES <sup>4</sup>	2.3	2.0	1.9	2.0	-	-	-
Z8S6	77	1	1050	CFM	272	247	231	217	199	-	-
				HEMISPHERICAL SONES <sup>3</sup>	2.1	2.4	2.9	3.3	3.6	-	-
				SPHERICAL SONES <sup>4</sup>	1.0	1.4	1.9	2.4	2.8	-	-
Z81S	77	0.9	1050	CFM	310	273	239	213	182	136	73
				HEMISPHERICAL SONES <sup>3</sup>	2.5	2.7	2.9	3.3	3.7	4.2	4.3
				SPHERICAL SONES <sup>4</sup>	1.5	1.7	1.9	2.3	2.8	3.1	3.2
Z8H6	130	1.6	1550	CFM	426	401	377	357	341	328	304
				HEMISPHERICAL SONES <sup>3</sup>	4.5	4.7	4.7	5.1	5.6	5.8	5.8
				SPHERICAL SONES <sup>4</sup>	3.4	3.7	3.6	4.1	4.6	4.7	4.8
Z10S7	243	2.5	1050	CFM	469	441	423	403	387	367	347
				HEMISPHERICAL SONES <sup>3</sup>	4.5	4.8	5.1	5.4	5.6	5.8	6
				SPHERICAL SONES <sup>4</sup>	3.4	3.8	4.0	4.4	4.6	4.7	4.9






# Z3 - Z12 | CEILING FANS

Model	Max. Watts	Amps	RPM	SP	0.000"	0.125"	0.250"	0.375"	0.500"	0.625"	0.750"
Z10IS	153	1.6	1050	CFM	612	537	467	405	222	116	-
				HEMISPHERICAL SONES <sup>3</sup>	3.9	3.6	3.9	4.6	5.5	6	-
				SPHERICAL SONES <sup>4</sup>	2.9	2.5	2.9	3.6	4.3	5.2	-
Z10H7	390	3.6	1550	CFM	728	694	664	638	613	591	565
				HEMISPHERICAL SONES <sup>3</sup>	8.6	8.6	8.6	8.7	8.6	8.8	8.8
				SPHERICAL SONES <sup>4</sup>	7.3	7.4	7.5	7.4	7.4	7.8	7.7
Z102S	269	4.5	1050	CFM	816	747	691	602	335	-	-
				HEMISPHERICAL SONES <sup>3</sup>	5.8	5.8	5.4	5	4.9	-	-
				SPHERICAL SONES <sup>4</sup>	4.6	4.6	4.1	3.7	3.8	-	-
Z12S	260	2.9	1050	CFM	901	855	812	755	683	552	-
				HEMISPHERICAL SONES <sup>3</sup>	5.8	5.9	6.3	6.5	6.5	6	-
				SPHERICAL SONES <sup>4</sup>	4.6	4.8	5.2	5.2	5.3	5.0	-
Z12IS	370	3.6	1050	CFM	1083	1062	1024	949	838	686	270
				HEMISPHERICAL SONES <sup>3</sup>	7	6.9	6.6	6.1	5.7	5.3	4.6
				SPHERICAL SONES <sup>4</sup>	5.9	6.0	5.6	5.1	4.8	4.2	3.6
Z102H	812 (BHP 0.53)	7.5	1550	CFM	1435	1385	1338	1294	1247	1203	1163
				HEMISPHERICAL SONES <sup>3</sup>	11.8	11.7	11.9	11.9	11.7	11.3	11
				SPHERICAL SONES <sup>4</sup>	10.4	10.1	10.3	10.3	10.0	9.8	9.6
Z12H	851 (BHP 0.65)	7.9	1550	CFM	1566	1511	1464	1417	1364	1307	1251
				HEMISPHERICAL SONES <sup>3</sup>	13.5	13.3	12.9	12.7	12.3	12	11.7
				SPHERICAL SONES <sup>4</sup>	11.6	11.4	11.0	11.0	10.7	10.4	10.1

- (1) Speed (RPM) shown is nominal. Performance is based on actual speed of test.
- (2) Performance certified is for installation type B - Free Inlet, Ducted Outlet.
- (3) Performance ratings include the effects of an inlet grille and backdraft damper in the airstream.
- (4) The sound ratings shown are loudness values in fan sones at 5ft. (1.5m) in a hemispherical free field calculated per AMCA International Standard 301. Values shown are for Installation type B: free inlet hemispherical sone levels.
- (5) The sound ratings shown are for loudness values in spherical sones at 1.5 m (5 ft) in a spherical free field calculated per Annex B of AMCA 311. Values shown are for Installation type B: free inlet spherical sone levels.
- (6) Specify discharge configuration. Standard types are RA, TD, TDA and TDA-RA.
- (7) Z6S and Z6H is the same unit shipped with EASYTAP dual speed motor. Wired on S (low) speed.
- (8) Z8S and Z8H is the same unit shipped with EASYTAP dual speed motor. Wired on S (low) speed.
- (9) Z10S and Z10H is the same unit shipped with EASYTAP dual speed motor. Wired on S (low) speed

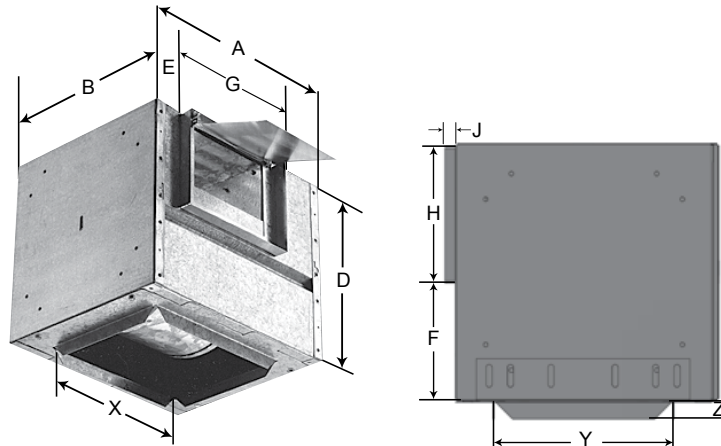
# Z8, Z10, Z12-GPE | CEILING FANS

## Zephyr Electronically Commuted (EC)

Model	ENERGY STAR®	RPM	CFM / Watt at 0.1 SP	0.000		0.100		0.125		0.250		0.375		0.500		0.625		0.750		0.875		1.000		1.125	
				CFM	Sones	CFM	Sones	CFM	Sones	CFM	Sones	CFM	Sones	CFM	Sones	CFM	Sones	CFM	Sones	CFM	Sones	CFM	Sones	CFM	Sones
Z8-GPE		755	11.2	248	2.0	188	1.8	169	1.7																
Z8-GP		1380	4.1	470	5.9	453	5.8	449	5.8	421	5.7	373	5.5	331	5.4	261	5.3								
Z10-GPE		740	10.8	285	2.0	200	1.5	170	1.4																
Z10-GP		1580	3.3	691	8.2	649	7.9	607	7.9	558	7.6	500	7.4	432	7.1	362	6.9								
Z12-GPE		530	10.8	547	3.0	278	2.8	166	2.7																
Z12-GP		1355	3.2	1545	10.6	1496	10.6	1484	10.6	1418	10.1	1321	9.8	1222	9.7	1123	9.5	1009	9.4	817	9.0	502	8.9	222	8.5

- (1) Speed (RPM) shown is nominal. Performance is based on actual speed of test.
- (2) Performance certified is for installation type B - Free Inlet, Ducted Outlet.
- (3) Performance ratings include the effects of an inlet grille and backdraft damper in the airstream.
- (4) The sound ratings shown are for loudness values in spherical sones at 1.5 m (5 ft) in a spherical free field calculated per Annex B of AMCA 311. Values shown are for Installation type B: free inlet spherical sone levels.

# Z3 - Z12 (TDA) | CEILING FANS



Model	Housing							Outlet Duct			TDA Panel		
	A	B	C	D	E	E1	F	G	H	J	X	Y	Z
Z3, 5, 6	12 1/2"	9 1/8"	16"	9 1/8"	1 1/4"	1 1/4"	5 3/8"	10"	3 1/4"	3/4"	10"	6"	1 5/8"
Z8, 81, 8-GP, 8-GPE	13 7/8"	11 3/8"	17 3/8"	11 3/8"	1 7/8"	4"	5 1/4"	8"	6"	3/4"	10"	8"	1 9/16"
Z10, 10-GP, 10-GPE	18"	14 1/8"	21 1/2"	14 1/8"	3 5/8"	6 3/8"	8"	8"	6"	3/4"	14"	10"	2"
12, 12-GP, 12-GPE	24"	14 1/8"	27 1/2"	14 1/8"	1"	1"	8"	22"	6"	3/4"	20"	10"	2"
Z101	24"	14 1/8"	27 1/2"	14 1/8"	1"	1"	8"	22"	6"	3/4"	20"	10"	2"
Z102	24"	14 1/8"	27 1/2"	14 1/8"	1"	1"	8"	22"	6"	3/4"	20"	10"	2"
Z121	24"	14 1/8"	27 1/2"	14 1/8"	1"	1"	8"	22"	6"	3/4"	20"	10"	2"

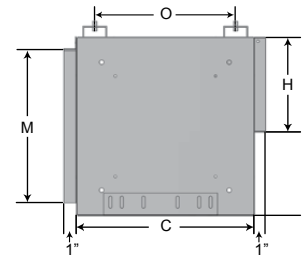
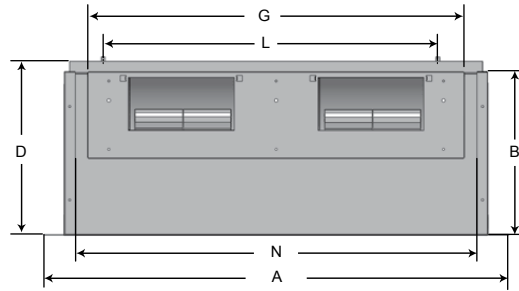
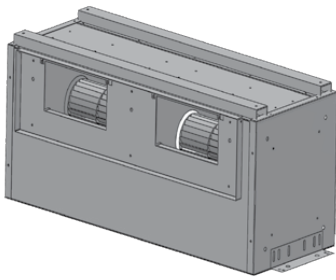
Model	Max. Watts	Amps	RPM	SP	0.000"	0.125"	0.250"	0.375"	0.500"	0.625"	0.750"	1.000"	1.250"	1.500"
Z3H (TDA)	42	0.5	1550	CFM	107	81	-	-	-	-	-	-	-	-
				HEMISPHERICAL SONES <sup>3</sup>	1.7	1.9	-	-	-	-	-	-	-	-
				SPHERICAL SONES <sup>4</sup>	0.8	0.9	-	-	-	-	-	-	-	-
Z5H (TDA)	83	1	1550	CFM	199	171	143	104	-	-	-	-	-	-
				HEMISPHERICAL SONES <sup>3</sup>	1.9	2	2.1	2.1	-	-	-	-	-	-
				SPHERICAL SONES <sup>4</sup>	0.9	1.0	1.2	1.3	-	-	-	-	-	-
Z6S (TDA)5	46	0.6	1050	CFM	127	93	66	-	-	-	-	-	-	-
				HEMISPHERICAL SONES <sup>3</sup>	0.9	1.2	1.6	-	-	-	-	-	-	-
				SPHERICAL SONES <sup>4</sup>	0.3	0.5	0.8	-	-	-	-	-	-	-
Z6H (TDA)5	108	1.4	1550	CFM	227	192	157	113	-	-	-	-	-	-
				HEMISPHERICAL SONES <sup>3</sup>	2.7	2.7	2.8	2.9	-	-	-	-	-	-
				SPHERICAL SONES <sup>4</sup>	1.8	1.7	1.8	2.0	-	-	-	-	-	-
Z8S (TDA)6	75	1	1050	CFM	255	228	208	190	165	139	110	-	-	-
				HEMISPHERICAL SONES <sup>3</sup>	1.8	1.9	2.4	2.8	3.3	3.6	3.7	-	-	-
				SPHERICAL SONES <sup>4</sup>	0.8	1.0	1.4	1.9	2.3	2.6	2.8	-	-	-
Z81S (TDA)	84	0.9	1050	CFM	307	274	252	228	198	152	95	-	-	-
				HEMISPHERICAL SONES <sup>3</sup>	2.2	2.2	2.5	2.9	3.1	3.3	3.5	-	-	-
				SPHERICAL SONES <sup>4</sup>	1.2	1.1	1.4	1.8	2.1	2.3	2.6	-	-	-
Z8H (TDA)6	132	1.6	1550	CFM	402	376	350	335	318	301	277	-	-	-
				HEMISPHERICAL SONES <sup>3</sup>	4.1	3.9	3.9	4.2	4.4	4.6	4.9	-	-	-
				SPHERICAL SONES <sup>4</sup>	3.1	2.9	2.9	3.2	3.5	3.8	4.1	-	-	-

# Z3 - Z12 (TDA) | CEILING FANS

Model	Max. Watts	Amps	RPM	SP	0.000"	0.125"	0.250"	0.375"	0.500"	0.625"	0.750"	1.000"	1.250"	1.500"
Z10S (TDA)7	234	2.5	1050	CFM	456	423	391	367	350	337	320	268	128	-
				HEMISPHERICAL SONES <sup>3</sup>	4.1	4.5	4.7	4.9	5.2	5.4	5.7	6.2	6.4	-
				SPHERICAL SONES <sup>4</sup>	3.0	3.4	3.7	3.9	4.2	4.5	4.8	5.2	5.4	-
Z101S (TDA)	152	1.6	1050	CFM	609	521	438	373	272	130	-	-	-	-
				HEMISPHERICAL SONES <sup>3</sup>	3.2	3.4	4.3	4.6	5.2	5.6	-	-	-	-
				SPHERICAL SONES <sup>4</sup>	2.2	2.3	3.2	3.5	4.0	4.4	-	-	-	-
Z10H (TDA)7	372	3.6	1550	CFM	700	661	626	593	558	528	504	455	368	-
				HEMISPHERICAL SONES <sup>3</sup>	8	8	7.9	7.9	8	8.2	8.1	8	7.8	-
				SPHERICAL SONES <sup>4</sup>	7.0	6.8	6.8	6.8	6.9	7.0	6.9	6.6	6.3	-
Z102S (TDA)	273	4.5	1050	CFM	780	720	660	592	336	-	-	-	-	-
				HEMISPHERICAL SONES <sup>3</sup>	4.6	5.7	5.6	4.8	4.7	-	-	-	-	-
				SPHERICAL SONES <sup>4</sup>	3.5	4.5	4.6	3.8	3.7	-	-	-	-	-
Z12S (TDA)	263	2.9	1050	CFM	886	829	786	735	660	526	180	-	-	-
				HEMISPHERICAL SONES <sup>3</sup>	5.5	5.7	5.6	5.8	5.7	5.3	4.7	-	-	-
				SPHERICAL SONES <sup>4</sup>	4.4	4.5	4.5	4.7	4.5	4.2	3.7	-	-	-
Z121S (TDA)	344	3.6	1050	CFM	1089	1043	981	899	802	672	404	-	-	-
				HEMISPHERICAL SONES <sup>3</sup>	6.5	6.5	6.3	6	5.7	5.3	4.4	-	-	-
				SPHERICAL SONES <sup>4</sup>	5.2	5.3	5.1	4.9	4.6	4.1	3.3	-	-	-
Z102H (TDA)	810 (BHP 0.53)	7.5	1550	CFM	1397	1348	1301	1253	1206	1162	1121	1034	916	611
				HEMISPHERICAL SONES <sup>3</sup>	10.7	10.5	10.7	10.6	10.4	10.1	9.9	9.6	9.4	9
				SPHERICAL SONES <sup>4</sup>	9.3	9.1	9.3	9.1	9.0	8.7	8.4	8.2	7.9	7.5
Z12H (TDA)	810 (BHP 0.53)	7.9	1550	CFM	1519	1475	1430	1386	1343	1300	1254	1146	1017	697
				HEMISPHERICAL SONES <sup>3</sup>	12.7	12.4	12.2	11.7	11.5	11.2	10.9	10.5	10.2	9.6
				SPHERICAL SONES <sup>4</sup>	10.9	10.7	10.5	10.1	9.9	9.6	9.3	9.0	8.5	8.1

- (1) Speed (RPM) shown is nominal. Performance is based on actual speed of test.
- (2) Performance certified is for installation type B - Free Inlet, Ducted Outlet.
- (3) Performance ratings include the effects of an inlet grille and backdraft damper in the airstream.
- (4) The sound ratings shown are loudness values in fan sones at 5ft. (1.5m) in a hemispherical free field calculated per AMCA International Standard 301. Values shown are for Installation type B: free inlet hemispherical sone levels.
- (5) The sound ratings shown are for loudness values in spherical sones at 1.5 m (5 ft) in a spherical free field calculated per Annex B of AMCA 311. Values shown are for Installation type B: free inlet spherical sone levels.
- (6) Specify discharge configuration. Standard types are RA, TD, TDA and TDA-RA.
- (7) Z6S and Z6H is the same unit shipped with EASYTAP dual speed motor. Wired on S (low) speed.
- (8) Z8S and Z8H is the same unit shipped with EASYTAP dual speed motor. Wired on S (low) speed.
- (9) Z10S and Z10H is the same unit shipped with EASYTAP dual speed motor. Wired on S (low) speed.

# Z14 & Z15 | LARGE CAPACITY CEILING FANS



Model	A	B	C	D	L	O	Outlet		Inlet		Wheel Dia	Wheel Circ.
							G	H	M	N		
Z14	38"	14 1/2"	14 1/2"	15 1/2"	30 1/2"	7 5/8"	33 3/4"	7 3/4"	12 1/2"	36"	8"	2.09'
Z15	45 1/2"	16 1/2"	16 1/2"	17 1/2"	34 1/2"	10"	41 1/4"	9 3/4"	14 1/2"	43 1/2"	9"	2.36'

Model	RPM	SP	0.100"	0.125"	0.250"	0.375"	0.500"	0.625"	0.750"	0.875"	1.00"
Z14 115/1/60 1/2 HP	1150	CFM	2200	2195	2050	1870	1685	1425	880	285	-
		SPHERICAL SONES <sup>3</sup>	6.8	6.7	6.3	6.0	5.6	5.4	5.2	5.0	-
		BHP	0.56	0.56	0.54	0.49	0.45	0.39	0.26	0.15	-
	1060	CFM	2025	2015	1835	1645	1400	880	-	-	-
		SPHERICAL SONES <sup>3</sup>	6.0	6.0	5.6	5.3	5.0	4.8	-	-	-
		BHP	0.44	0.43	0.4	0.36	0.33	0.22	-	-	-
	980	CFM	1865	1845	1630	1410	1015	280	-	-	-
		SPHERICAL SONES <sup>3</sup>	5.4	5.3	5.0	4.7	4.4	4.2	-	-	-
		BHP	0.34	0.34	0.31	0.28	0.2	0.1	-	-	-
	880	CFM	1660	1605	1375	1055	255	-	-	-	-
		SPHERICAL SONES <sup>3</sup>	4.6	4.5	4.3	4.0	3.7	-	-	-	-
		BHP	0.25	0.24	0.21	0.17	0.07	-	-	-	-

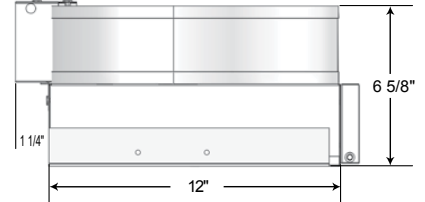
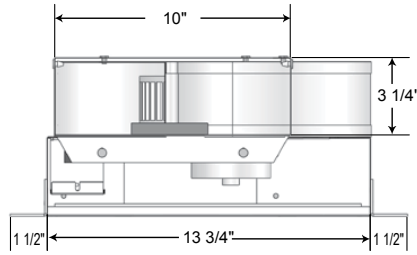
- (1) Speed (RPM) shown is nominal. Performance is based on actual speed of test.
- (2) Performance certified is for installation type B - Free Inlet, Ducted Outlet.
- (3) Performance ratings do not include the effects of appurtenances.
- (4) The sound ratings shown are for loudness values in spherical sones at 1.5 m (5 ft) in a spherical free field calculated per Annex B of AMCA 311. Values shown are for Installation type B: free inlet spherical sone levels.
- (5) Other speeds listed are obtainable by using Lek-Trol™ model LT40 for Z14 fan units and Lek-Trol™ LT35 for Z15 fan units.
- (6) The AMCA Certified Seal applies to air performance ratings only.

# Z14 & Z15 | LARGE CAPACITY CEILING FANS

Model	RPM	SP	0.100"	0.125"	0.250"	0.375"	0.500"	0.625"	0.750"	0.875"	1.00"
Z15 230/1/60 1 HP	1030	CFM	3290	3260	3100	2920	2720	2510	2260	1930	1140
		SPHERICAL SONES <sup>3</sup>	8.3	8.2	7.8	7.4	7.0	6.6	6.5	6.4	6.2
		BHP	1.1	1.1	1.05	1	0.96	0.91	0.85	0.75	0.52
	1000	CFM	3185	3155	2990	2800	2590	2365	2085	1625	-
		SPHERICAL SONES <sup>3</sup>	7.7	7.7	7.3	6.9	6.5	6.1	6.0	5.9	-
		BHP	1	1	0.95	0.91	0.86	0.81	0.73	0.61	-
	950	CFM	3015	2980	2805	2600	2375	2115	1755	-	-
		SPHERICAL SONES <sup>3</sup>	6.8	6.8	6.4	6.1	5.7	5.4	5.2	-	-
		BHP	0.86	0.85	0.81	0.77	0.72	0.66	0.56	-	-
	880	CFM	2775	2735	2535	2305	2045	1715	-	-	-
		SPHERICAL SONES <sup>3</sup>	5.6	5.5	5.2	4.9	4.6	4.3	-	-	-
		BHP	0.68	4.6	0.63	0.59	0.54	0.46	-	-	-

- (1) Speed (RPM) shown is nominal. Performance is based on actual speed of test.
- (2) Performance certified is for installation type B - Free Inlet, Ducted Outlet.
- (3) Performance ratings do not include the effects of appurtenances.
- (4) The sound ratings shown are for loudness values in spherical sones at 1.5 m (5 ft) in a spherical free field calculated per Annex B of AMCA 311. Values shown are for Installation type B: free inlet spherical sone levels.
- (5) Other speeds listed are obtainable by using Lek-Trol™ model LT40 for Z14 fan units and Lek-Trol™ LT35 for Z15 fan units.
- (6) The AMCA Certified Seal applies to air performance ratings only.

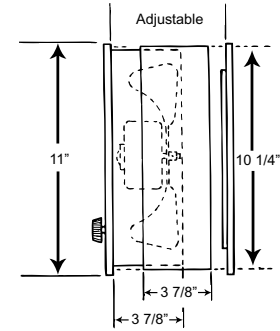
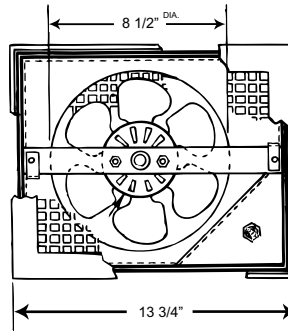
# ZT & ZJ1 | LOW PROFILE CEILING FANS



Model	Max. Watts	Motor 60Hz AC	Motor RPM	SP	0.0"	.10"	.125"	.250"	.375"	.500"	.625"	0.750"
ZT	60	115/1	1200	CFM	69	60	58	48	33	12	--	--
				SPHERICAL SONES <sup>4</sup>	1.9	2.1	2.1	2.7	3.1	3.6	--	--
				RPM	1250	1285	1290	1345	1395	1430	--	--
ZJ1	125	115/1	1200	CFM	149	156	157	158	160	153	138	117
				SPHERICAL SONES <sup>4</sup>	1.2	1.5	1.6	1.9	2.2	2.5	2.8	3.1
				RPM	760	1000	1020	1150	1240	1360	1450	1520

- (1) Speed (RPM) shown is nominal. Performance is based on actual speed of test.
- (2) Performance certified is for installation type A - Free Inlet, Free Outlet.
- (3) Performance ratings include the effects of inlet grille and backdraft damper in the airstream.
- (4) The sound ratings shown are for loudness values in spherical sones at 1.5 m (5 ft) in a spherical free field calculated per Annex B of AMCA 311. Values shown are for Installation type A: free inlet spherical sone levels.
- (5) The AMCA Certified Seal applies to air performance ratings only.

# TRANSFAN | TRANSFER FAN

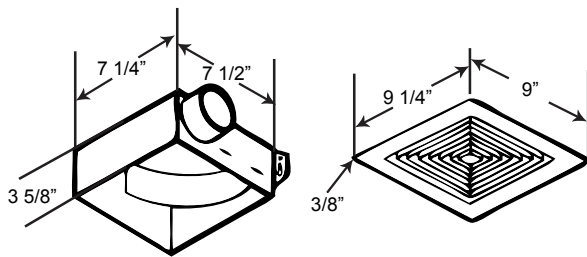


Model	Max Watts	Motor 50/60 Hz AC	Motor RPM	Fan Capacity - CFM			
				SP	CFM	HEMISPHERICAL SONES <sup>1</sup>	SPHERICAL SONES <sup>2</sup>
TF8	60	115/1	1250	0.000	0.050	0.100	0.200
				255	231	178	132
				2.3	2.2	1.9	1.8
				1.0	1.0	0.9	0.8

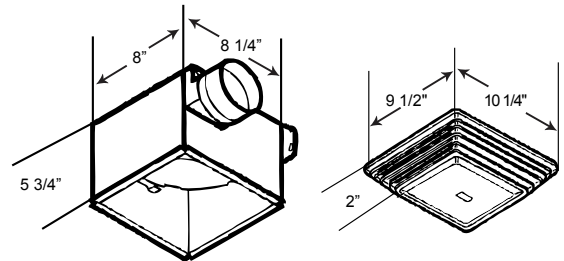
- (1) Speed (RPM) shown is nominal. Performance is based on actual speed of test.
- (2) Performance certified is for installation type A - Free Inlet, Free Outlet.
- (3) Performance ratings include the effects of an inlet and outlet grilles in the airstream.
- (4) The sound ratings shown are loudness values in fan sones at 5ft. (1.5m) in a hemispherical free field calculated per AMCA International Standard 301. Values shown are for Installation type A: free inlet hemispherical sone levels.
- (5) The sound ratings shown are for loudness values in spherical sones at 1.5 m (5 ft) in a spherical free field calculated per Annex B of AMCA 311. Values shown are for Installation type A: free inlet spherical sone levels.
- (6) Transfan is not AMCA certified.



# Z1, ZL1, & ZL2 | CEILING FANS WITH LIGHT



Zephyr | Z1

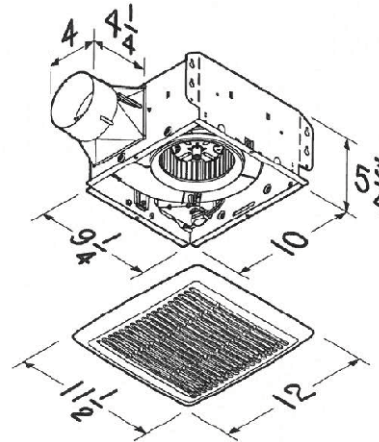


Zephyr Light | ZL1, ZL2

Model	SONES at 0.0" Ps	Spherical SONES at 0.0" Ps	CFM at Static Pressure (Ps - Inches of H2O)						Volts	Watts	Nominal RPM
			0.000	0.100	0.125	0.250	0.375	0.500			
Z1	3.4	2.3	56	51	50	46	41	32	120	55	1700
ZL1	1.9	1.8	62	51	49	32	9	-	120	30	1070
ZL2	4.0	3.4	97	87	84	69	50	19	120	50	1380

- (1) Speed (RPM) shown is nominal. Performance is based on actual speed of test.
- (2) Performance certified is for installation type B - Free Inlet, Ducted Outlet.
- (3) Performance ratings include the effects of an inlet grille and backdraft damper in the airstream.
- (4) The sound ratings shown are loudness values in fan sones at 5ft. (1.5m) in a hemispherical free field calculated per AMCA International Standard 301. Values shown are for Installation type B: free inlet hemispherical sone levels.
- (5) The sound ratings shown are for loudness values in spherical sones at 1.5 m (5 ft) in a spherical free field calculated per Annex B of AMCA 311. Values shown are for Installation type B: free inlet spherical sone levels.

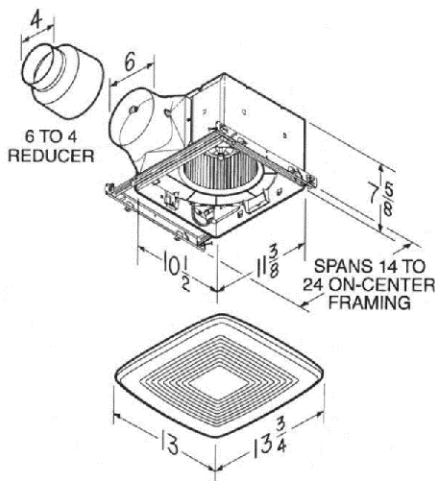
# Z2 | LOW FLOW CEILING FAN



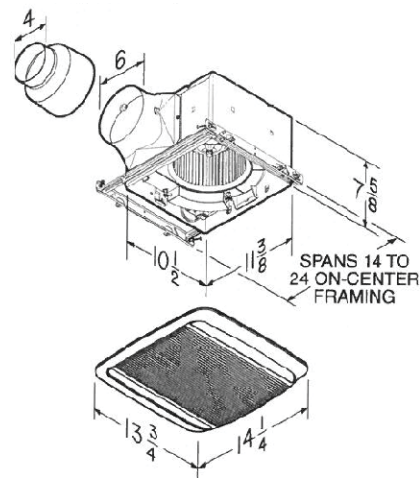
Model	Performance @ Static Pressure (SP) - Inches Water Gauge											Volts	Hz.	Nominal RPM
	0.000" SP		0.100" PS			0.125" SP		0.250" SP		0.375" SP				
	CFM	Sones	CFM	Sones	Watts	CFM	Sones	CFM	Sones	CFM	Sones			
Z2-E	87	1.0	76	1.5	26	72	1.5	56	2.5	38	3.0	120	60	840

- (1) Speed (RPM) shown is nominal. Performance is based on actual speed of test.
- (2) Performance certified is for installation type B - Free Inlet, Ducted Outlet.
- (3) Performance ratings include the effects of an inlet grille and backdraft damper in the airstream.
- (4) The sound ratings shown are for loudness values in spherical sones at 1.5 m (5 ft) in a spherical free field calculated per Annex B of AMCA 311. Values shown are for Installation type B: free inlet spherical sone levels.

# ZQ80(L)-GPE AND ZQ110(L)-GPE DIMENSIONS AND PERFORMANCE



Zephyr Quiet | ZQ80, ZQ110



Zephyr Quiet Light | ZQ80L, ZQ110L

Model	Duct Size	Performance @ Static Pressure(Ps) - Inches Water Gage												Volts	Hz.	Nominal RPM	
		0.100" Ps			0.125" Ps		0.250" Ps		0.375" Ps		0.500" Ps		0.625" Ps				
		CFM	Sones	Watts	CFM	Sones	CFM	Sones	CFM	Sones	CFM	Sones	CFM				Sones
ZQ80-GPE	4" Round	80	< 0.3	7.8	80	0.3	80	1.0	78	1.8	64	2.4	37	3.0	120	60	985
	6" Round	80	< 0.3	6.1	80	<0.3	80	0.6	78	1.4	66	2.2	38	3.0	120	60	935
ZQ110-GPE	6" Round	110	< 0.3	8.4	110	<0.3	109	1.4	100	2.3	62	3.0	28	3.6	120	60	940
ZQ80L-GPE	4" Round	80	<0.3	8.3	80	0.3	79	0.9	79	1.6	62	2.1	34	2.6	120	60	1020
	6" Round	80	<0.3	6.7	80	<0.3	79	0.6	79	1.3	70	2.1	37	2.6	120	60	980
ZQ110L-GPE	6" Round	110	0.3	9.3	110	0.4	110	1.1	93	1.9	57	2.6	22	3.4	120	60	980

- (1) Speed (RPM) shown is nominal. Performance is based on actual speed of test.
- (2) Performance certified is for installation type B - Free Inlet, Ducted Outlet.
- (3) Performance ratings include the effects of an inlet grille and backdraft damper in the airstream.
- (4) The sound ratings shown are for loudness values in spherical sones at 1.5 m (5 ft) in a spherical free field calculated per Annex B of AMCA 311. Values shown are for Installation type B: free inlet spherical sone levels.

# PENNBARRY PRODUCT SOLUTIONS

---



## Commercial

- Roof & wall exhaust centrifugal fans
- Ceiling, wall, & inline centrifugal fans
- Roof supply centrifugal fans
- Square & round centrifugal fans
- Wall mounted axial fans
- Hooded roof axial fans
- Upblast roof axial fans
- Gravity ventilators
- Roof curbs



## Industrial

- Freestanding centrifugal fans
- Industrial & material handling fans
- Tubular centrifugal inline fans
- Mixed flow centrifugal fans
- Plug & plenum fans
- Wall mounted propeller fans
- Tube axial fans
- Vane axial fans
- Bifurcator fans
- Lab exhaust



## Kitchen ventilation

- Make-up air units
- Exhaust fans



## Energy recovery

- Outdoor units
- Indoor units

PennBarry is proud to be your preferred manufacturer of commercial and industrial fans and blowers. Learn how PennBarry can assist you in your next application by contacting your PennBarry Representative or visiting us on the web at [www.pennbarry.com](http://www.pennbarry.com)

PennBarry | [www.pennbarry.com](http://www.pennbarry.com) | [pennbarrysales@pennbarry.com](mailto:pennbarrysales@pennbarry.com) | Tel 972 212 4700 | Fax 972 212 4702

PennBarry reserves the right to make changes at any time, without notice, to models, construction, specifications, options and availability. This document illustrates the appearance of PennBarry products at the time of publication. View the latest updates on the PennBarry website.

© 2020 PennBarry. All rights reserved. ZEPHYR JULY 2020.



PENNBARRY™