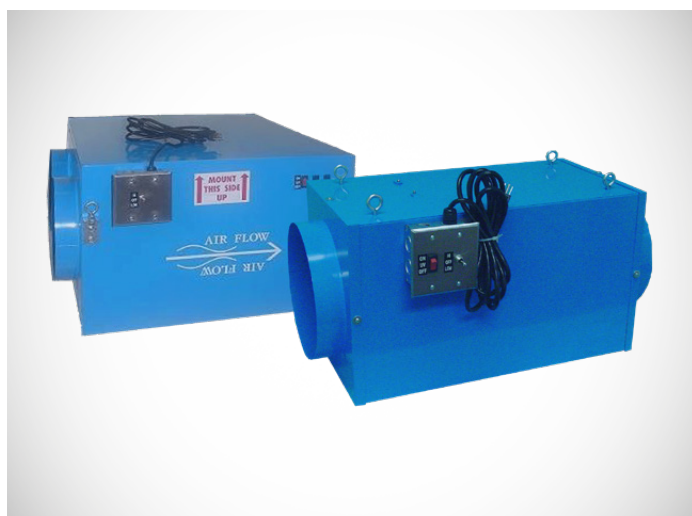




LP Series  
High Efficiency Air  
Cleaners

# LP Series High Efficiency Air Cleaners



LP-1000 (left) and LP-600 (right)

## DESIGNED TO ELIMINATE A RANGE OF CONTAMINANTS

The LP Series of high efficiency air cleaners is designed to eliminate smoke, pollen, mold spores, dust and odors. It achieves this with two different-sized models, the LP-1000 features an air flow of 1200 CFM, and the LP-600 provides 600 CFM.

## HOW THE LP SERIES WORKS

Contaminated air is drawn through the prefilters and the mini-pleat filters where the airborne particles are captured. The air then passes through the optional germicidal ultraviolet lights to inhibit the growth of viruses and bacteria. Lastly, the air flows through the carbon filter to remove gas phase contaminants and odors from the air, before continuing back to the room.

## FEATURES & BENEFITS



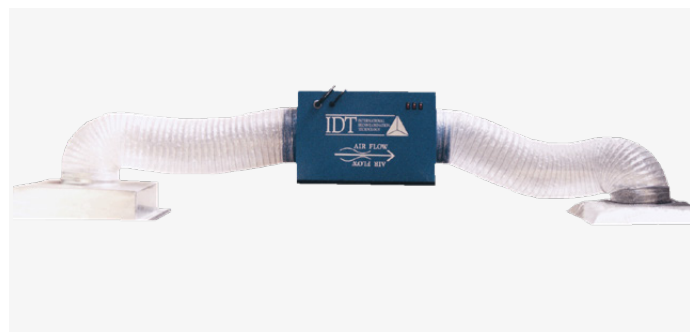
### Low Maintenance

Disposable filters are long lasting and easily removed through the hinged grilles. Room-side access makes the filter change fast and easy.



### Inconspicuous

The attractive grilles fit flush with the ceiling. The blower module is hidden above the ceiling out of view.



### Easy Installation

Special mounting brackets with eyebolts are factory installed on the blower module. The return and supply grilles are designed to lay in a standard 2 x 2 ceiling tile grid.

### Quiet

The LP Series are whisper quiet even on the maximum speed setting.

# LP Series

## Product Specifications

### SPECIFICATIONS

Model	LP-600	LP-1000
<b>Air flow</b>	600 CFM (high), 300 CFM (low)	1200 CFM (high), 800 CFM (low)
<b>Electrical rating</b>	120 Volt, 60 HZ, 5 Amp	120 Volt, 60 HZ, 10 Amp 208-230 Volt, 60 HZ, 6 Amp
<b>Dimensions of blower module</b>	13 x 12.5 x 23" (H x W x L)	16 x 26 x 24" (H x W x L)
<b>Installed weight</b>	55 lbs	72 lbs
<b>Shipping weight</b>	100 lbs	150 lbs
<b>Filtration</b>		
1st stage	20 x 20" Tri-Dek #7 media pad	Two 20 x 20" Tri-Dek #7 media pads
2nd stage	20 x 20" Tri-Cell IV 95%	Two 20 x 20" Tri-Cell IV 95%
3rd stage	20 x 20" Tri-Sorb XL Carbon	Two 20 x 20" Tri-Sorb XL Carbon
<b>Motor</b>	Maintenance Free PSC ¼ HP 120 Volt Maintenance Free PSC ½ HP 208 - 230 Volt Blower: Forward curve direct drive	Maintenance Free PSC ¾ HP 120 Volt Maintenance Free PSC 1 HP 208 - 230 Volt Blower: Forward curve direct drive

### APPLICATIONS

- Meeting rooms
- Banquet halls
- Restaurants
- Casinos
- Smoking lounges
- Bingo halls
- Lithography
- Check processing centers
- Computer rooms

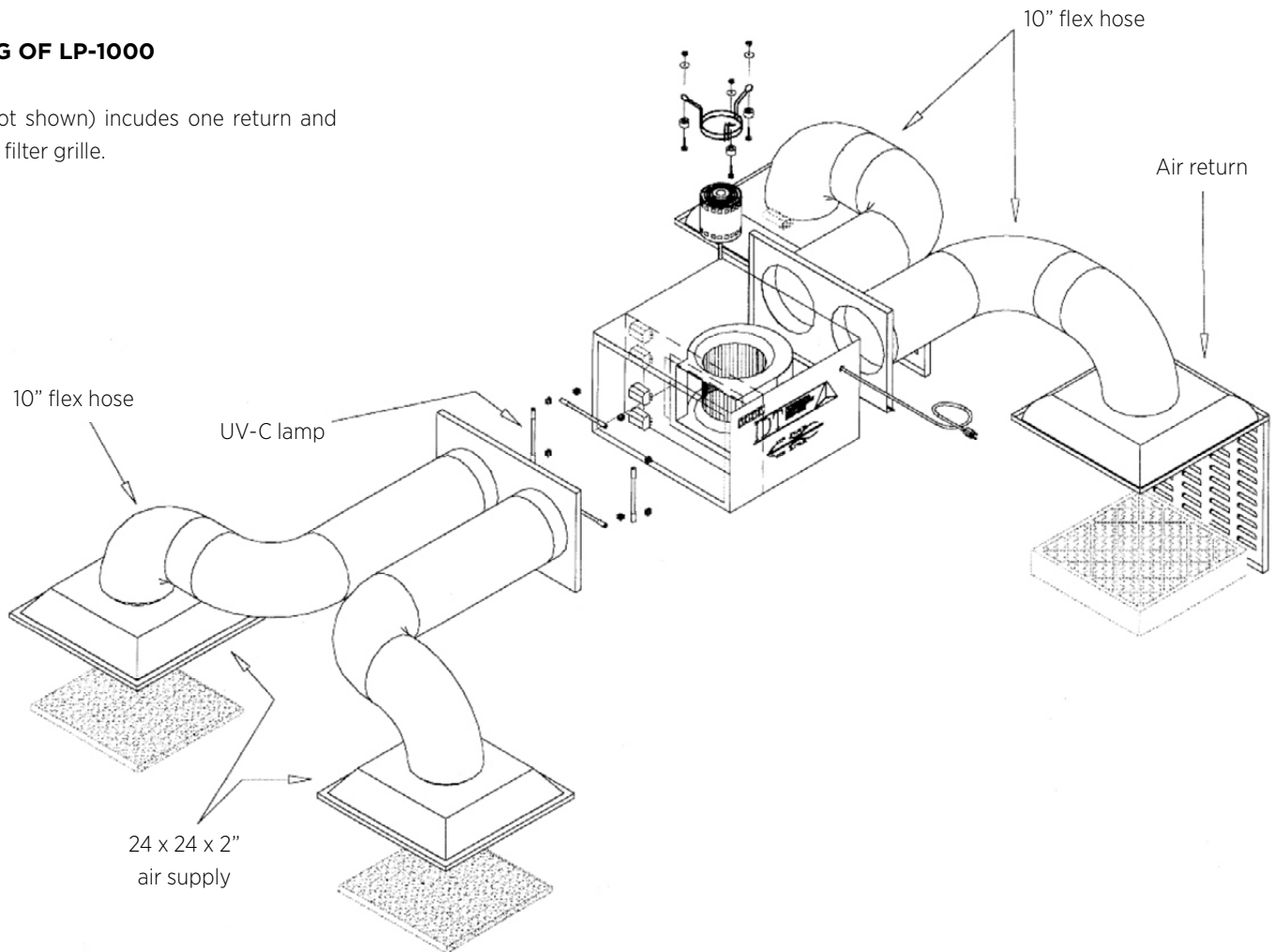
### OPTIONS

- Germicidal UV-C
- Flex duct
- Remote wired control
- Filter efficiencies: 65% ASHRAE (MERV 11) up to 95% ASHRAE (MERV 15)
- 208 - 230 Vac 1 phase

# LP Series Technical Drawing

## DRAWING OF LP-1000

LP-600 (not shown) includes one return and one supply filter grille.



### LOCAL REPRESENTATIVE

Tri-Dim Filter Corporation is committed to continual product development - all descriptions, specifications and performance data are subject to change without notice. Tri-Dim products are manufactured to exacting criteria - there can be a  $\pm 5\%$  variance in filter performance.