

IAS/IASS Series In-Line Air Separators

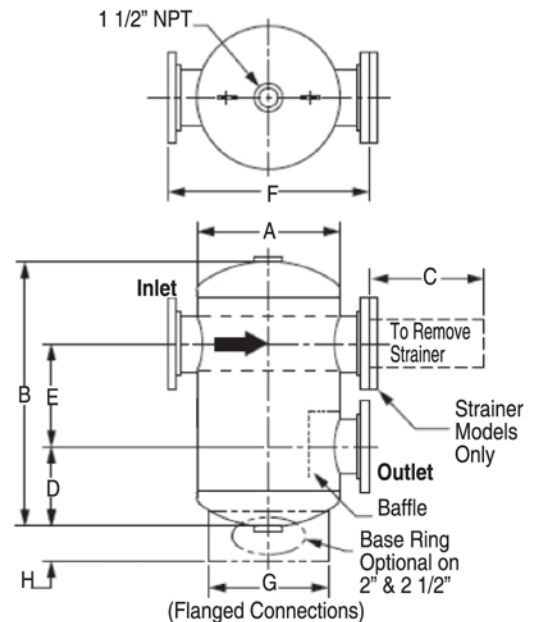
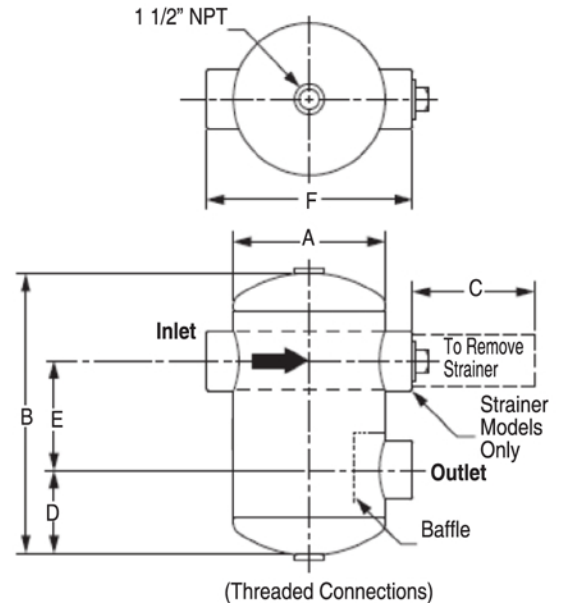
The American Wheatley IAS series offers a lower cost alternative for air separation in hydronic heating and cooling systems. The IAS / IASS series becomes a point of lower system velocity by changing the direction of flow through the device. This lower velocity, along with the change in direction allow air molecules to separate from the water, rise within the inline air separator and be discharged through the vent opening at top of vessel either to atmosphere or to an expansion tank.

Features:

- IAS - less strainer
- IASS - with integral 304 SS Strainer
- Available in 2" through 20", special sizes available up to 48"
- Constructed in accordance with ASME Section VIII, Division I, Latest Edition
- Carbon Steel construction
- Furnished with or without an integral 304SS Strainer as indicated in specification or noted on drawing
- Standard working pressure 125 P.S.I., higher pressure ratings available upon request
- Maximum Temperature 450°F
- Red Oxide Primed Exterior

All packaging materials, thread protectors, plastic plugs and caps must be removed before installation.

Dimensions are subject to change without notice, please confirm actual dimensions with factory at time of order.



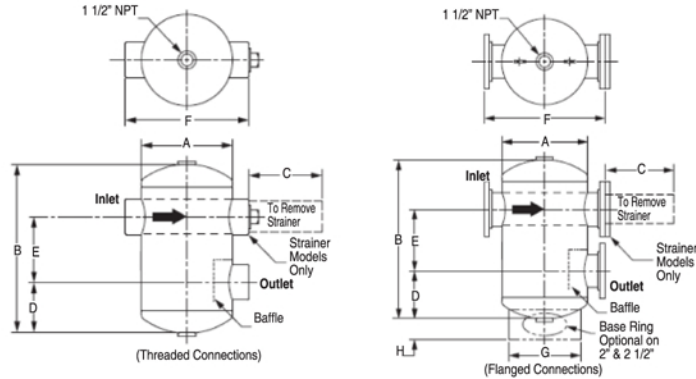
JOB NAME _____
LOCATION _____

CONTRACTOR _____
CONTRACTOR P.O. NO. _____

ITEMS	QUANTITY
_____	_____
_____	_____
_____	_____
_____	_____
_____	_____

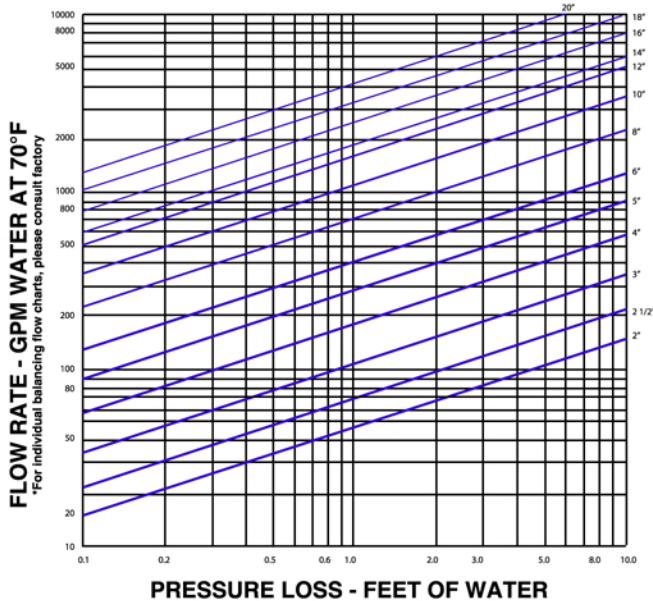
American WHEATLEY
HVAC PRODUCTS®
A GFP COMPANY

2701 W. Concord Street
Broken Arrow, OK 74012
Toll Free: 866-204-5229
PH: 918-317-0401
FAX: 918-317-0407
www.wheatleyhvac.com
e-mail: sales@globalflowproducts.com



Pipe Size Inch	Model Number		A Dia. Inch	B Max. Inch	C Inch	D Inch	E Inch	F Inch	G Dia. Base Ring	H Inch	Max. Flow GPM	Strainer Free Area Inch ²	C _v Factor Less Strainer	Approx. Wt. (lbs.) With Strainer	C _v Factor With Strainer	Approx. Wt. (lbs.) With Strainer
	Less Strainer	With Strainer														
2	IAS-002	IASS-002	12	22 1/8	13	7 9/16	7	14	-	-	80	31	86	40	72	45
2 1/2	IAS-025	IASS-025	12	22 1/8	13	7 9/16	7	14	-	-	130	38	122	40	102	45
3	IAS-003	IASS-003	14	27 1/4	22	8	11 1/4	24	12	6 1/2	190	51	190	90	162	110
4	IAS-004	IASS-004	16	31 3/8	24	9 5/16	12 3/4	26	12	7	330	80	325	115	272	145
5	IAS-005	IASS-005	16	32 1/2	24	9 3/8	13 3/4	26	12	7	550	112	510	130	422	165
6	IAS-006	IASS-006	20	36 7/8	27	11 1/16	14 3/4	30	16	6 3/4	900	180	750	170	618	215
8	IAS-008	IASS-008	20	45 1/2	27	14 1/16	17 3/8	30	16	6 3/4	1500	246	1260	270	1060	345
10	IAS-010	IASS-010	24	47 3/4	32	14 15/16	17 7/8	36	20	6 3/4	2600	392	2000	350	1670	465
12	IAS-012	IASS-012	30	59 3/4	37	17 5/8	24 1/2	42	24	7 3/4	3400	548	2900	600	2400	775
14	IAS-014	IASS-014	36	68 1/2	44	20 3/4	27	48	30	7 3/4	4700	732	3500	805	2850	1035
16	IAS-016	IASS-016	36	75 1/2	43	22 1/4	31	48	30	7 3/4	6000	845	4600	875	3800	1150
18	IAS-018	IASS-018	48	84 1/4	56	24 5/8	35	64	40	7 3/4	8000	1290	5900	1550	4900	1900
20	IAS-020	IASS-020	48	91	56	26	39	64	40	8 5/8	1000	1435	7400	1700	6200	2150

Air Separator Pressure Drop WITHOUT Strainer



Air Separator Pressure Drop WITH Strainer

