

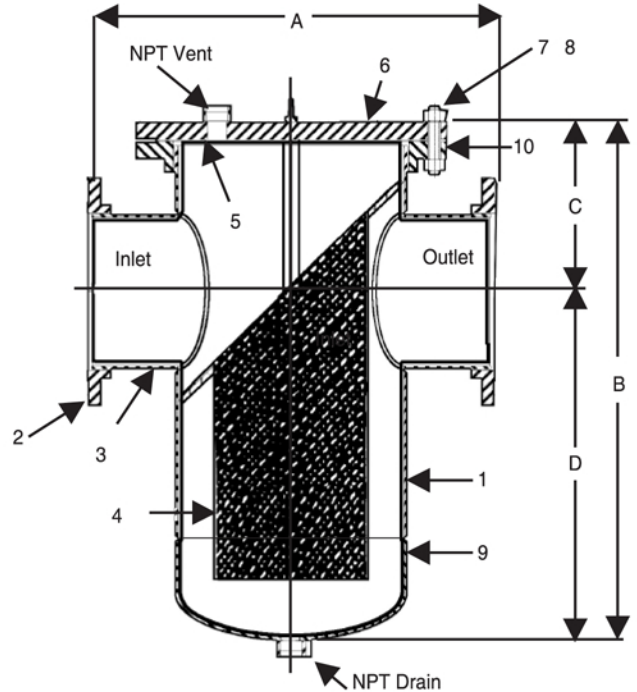
Model BSF Fabricated Basket Type Strainer

Features:

- Carbon Steel Construction
- 304 Stainless Steel Basket Strainer
- Bolted Cover
- 285 PSI @100° F
- Standard Red Oxide Exterior Primer

Optional Features:

- Stainless Steel and other Alloys of Construction
- Davit Arm
- Quick Release Cover
- Pressures ANSI 300 to 2500
- Screen Materials available in various perforation sizes and materials of construction
- ASME Code Construction
- Internal/External Coatings



Model	Size	Width A (In.)	Height B (In.)	C (In.)	D (In.)	Body Diameter (In.)	Weight Total (lbs)
BS0100F	1	10	11 1/2	4 1/2	7	3	44
BS0150F	1 1/2	11	13 1/2	5 1/2	8	4	69
BS0200F	2	12	14 1/2	8 1/2	8	4	74
BS0250F	2 1/2	14	23	10	13	5	93
BS0300F	3	14	23	10	13	6	134
BS0400F	4	16	24 1/2	10 1/2	14	8	242
BS0500F	5	16	26	11	15	8	279
BS0600F	6	20	28	11	17	10	338
BS0800F	8	22	33	12	21	12	481
BS1000F	10	32	38	13	25	16	744
BS1200F	12	35	43	15	28	18	866
BS1400F	14	37	49 1/2	16 1/2	33	20	1098
BS1600F	16	42	53 1/2	17 1/2	36	24	1576
BS1800F	18	42	57 1/2	18 1/2	39	24	1609
BS2000F	20	43	64	20	44	30	2204
BS2400F	24	48	65	21	44	30	2235
BS3000F	30	60	85	31	54	36	3413

Bill of Materials

Item	Part Name	Material
1	Body	Carbon Steel Pipe/Plate
2*	150lb RFSO Flange	Carbon Steel (ASTM A 105) B16.5
3	Nozzle	Carbon Steel Pipe/Plate
4	Basket	Stainless Steel (304) 1/8" perf
5	Gasket	Fiber
6	150lb Blind Flange (Cover)	Carbon Steel (ASTM A 105) B16.5
7	Studs	Carbon Steel (ASTM A 193, Grade B7)
8	Nuts	Carbon Steel (ASTM A 194, Grade 2H)
9	Weld Cap/Head	Carbon Steel Pipe/Plate
10*	150lb RFSO Flange	Carbon Steel (ASTM A 105) B16.5

*30" & Larger Flanges are RFWN Series B

All packaging materials, thread protectors, plastic plugs and caps must be removed before installation.

Dimensions are subject to change without notice, please confirm actual dimensions with factory at time of order.

JOB NAME _____
 LOCATION _____

 CONTRACTOR _____
 CONTRACTOR P.O. NO. _____

ITEMS	QUANTITY
_____	_____
_____	_____
_____	_____
_____	_____
_____	_____
_____	_____



2701 W. Concord Street
 Broken Arrow, OK 74012
 Toll Free: 866-204-5229
 PH: 918-317-0401
 FAX: 918-317-0407
 www.wheatleyhvac.com
 e-mail: sales@globalflowproducts.com