



INDUSTRIAL PROCESS AND
COMMERCIAL VENTILATION SYSTEMS

PROPELLER ROOF VENTILATORS LOW PROFILE HOODED

LHD/LHB (EXHAUST/SUPPLY) | LHDF/LHBF (FILTERED SUPPLY)



PROPELLER ROOF VENTILATORS



Overview

LHD | LHB | LHDF | LHBF



LHB with Standard
Bird Screen

Twin City Fan & Blower Low Profile Hooded Roof Ventilators provide cost effective, general purpose ventilation solutions for commercial and light industrial applications. The aesthetically pleasing modular hood design minimizes extension above the roof line. Both direct and belt driven models are available in exhaust, supply or filtered supply configurations. A wide array of fixed pitch, fabricated steel or adjustable pitch, cast aluminum propellers are available to meet specific performances and application requirements. Twin City Fan & Blower also offers a complete line of options and accessories such as roof curbs, backdraft dampers, disconnect switches and special coatings to maintain single source responsibility.

Typical Industries Include

Warehouse Ventilation, Office Ventilation, General HVAC, Gymnasium Ventilation, Factory Ventilation, Greenhouse Ventilation, Attic Exhaust, Hospital Exhaust, Agriculture, Manufacturing Exhaust, Paper Mills, Foundry, Textile, Commercial Plan and Spec, Office Ventilation

Configurations

Hooded Supply or Exhaust

Propeller Types

"L1" and "L2" Fabricated Steel Propellers; "B" and "E" Die Cast Aluminum Propellers; "C" Cast Aluminum Propellers; "Z" Fabricated Steel Propellers

Standard Construction

Heavy-Gauge Galvanized Steel

Optional Construction

Special Coatings, Aluminum Construction, UL 705

Certifications

UL 705 Listed for Electrical



LHDF
(Hooded Filtered Supply)



All models are UL/cUL 705 listed, for electrical, File No. E158680.



For complete product performance, drawings and available accessories, download our Fan Selector program at tcf.com.

Overview

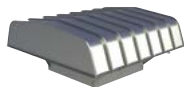
LHD | LHB | LHDF | LHBF

Hooded

Hooded non-filtered LHD (direct drive) and LHB (belt driven) models are available for exhaust or supply service and feature a removable galvanized steel hood for cleaning and servicing the fan as well as a galvanized steel birdscreen.

LHD (Direct Drive)

14" to 48" wheel diameters
Airflow to 33,500 CFM
Static pressure to 1" w.g.



LHB (Belt Driven)

21" to 60" wheel diameters
Airflow to 57,800 CFM
Static pressure to 1" w.g.



Filtered

Hooded filtered supply models LHDF (direct drive) and LHBF (belt driven) feature a removable galvanized steel hood for cleaning and servicing the fan as well as 2" washable aluminum mesh filters.

LHDF (Direct Drive)

21" to 48" wheel diameters
Airflow to 30,400 CFM
Static pressure to 1" w.g.



LHBF (Belt Driven)

21" to 60" wheel diameters
Airflow to 57,600 CFM
Static pressure to 1" w.g.



Retail and Grocery Store
Supply and Exhaust



Exploded View

LHD | LHB | LHDF | LHBF



Modular Hood Design

The stackable hood panels allow for easy field assembly when necessary. The snap together rib design provides added strength and rigidity. Hoods are constructed of galvanized steel as standard.

Propellers

Fabricated steel or cast aluminum blades and hubs. Propellers on belt driven units shall be welded to the fan shaft or secured to the fan shaft with a taperlock bushing. Propellers on direct drive units shall be mounted directly on the motor shaft with a taperlock bushing.

Mechanical Run Test & Final Vibration Check

All fans are assembled for a mechanical run test and final balance prior to shipment. Vibration readings are taken in the axial, horizontal and vertical directions at the specified speed. Fans are balanced to 0.15 in./sec. peak or less.

Bearings (LHB and LHBF only)

Cast iron pillow block bearings selected for L50 average life of 200,000 hours at maximum cataloged operating speeds.

Shaft (LHB and LHBF only)

Shaft diameters are sized to have a first critical speed of at least 125% of the fan's maximum operating speed.

Motors

ODP, TEFC and Explosion proof, single and three phase motors are carefully matched to the fan load.

Drives (LHB and LHBF only)

Motor sheaves shall be of cast iron and supplied as variable pitch standard. Drives and belts shall be rated for 150% of the required motor HP.

Motor and Drive Frame

Support assemblies are constructed of heavy gauge galvanized or finish painted steel.

Motor Access

Fans designed for exhaust, supply and filtered supply allow for service and are provided with convenient access to the motor from the roof.



The Twin City Fan modular hood provides numerous benefits over conventional sheet metal hood designs.



LHB, Belt Driven
(Showing how hood
panels stack together)

Hood Construction

- The Twin City Fan modular hood design features ribbed panels, which provide added strength and rigidity. This is particularly important in climates where snow loads are a consideration.
- Hood profile allows rain and snow to run off.
- Hoods are galvanized steel as standard, but can also be constructed of aluminum or painted steel to accommodate specific application requirements.

Filtered Supply

- Units built for filtered supply service (LHDF and LHBF) come standard with 2" washable aluminum mesh filters.
- On all fan sizes, filters can be removed with the hood in place to allow for easy cleaning of filters and inspection of fan parts.

Easy Access

- Fan sizes 14 to 36 incorporate a pivoted hood design. By removing two fasteners, the hood can be opened up for convenient cleaning and service.
- Fan sizes 42 to 60 allow for the entire hood to be taken off by removing four fasteners.
- Exhaust and supply fans are constructed with motor and drive components easily accessible from the roof. There is no need to try and access components below the roof line or through an access door.
- Non-filtered units include removable birdscreens, which can be removed with the hood still in place to allow for quick and easy inspection of the fan components without taking off the hood.

Shipping Advantage

Most units ship fully assembled as standard (see chart below for specific models and sizes) to allow for fast and easy installation at the job site. Larger units ship knocked down to the job site as standard and can be easily assembled with standard tools. Twin City Fan does offer the option to ship larger units fully assembled to the job site (standard freight rates do not apply). Contact your local sales representative for more information.

MODEL	FAN SIZE										
	14	16	18	21	24	30	36	42	48	54	60
LHD	F	F	F	F	F	F	F	F	K	---	---
LHDF	---	---	---	F	F	F	F	K	K	---	---
LHB	---	---	---	F	F	F	F	F	K	K	K
LHBF	---	---	---	F	F	F	F	K	K	K	K

F = Ships Fully Assembled

K = Ships Knocked Down, Field Assembly Required





Propellers

LHD | LHB | LHDF | LHBF

FAN SIZE	DIRECT DRIVE	BELT DRIVEN
14	B, E	—
16	B, E	—
18	B, E	—
21	B, E	L1, L2, B, E
24	B, E, Z	L1, L2, B, E, Z
30	B, E, Z	L1, L2, B, E, Z
36	B, E, Z	L1, L2, B, E, Z
42	B, E, Z	L1, L2, B, E, Z
48	B, E, Z	L1, L2, B, E, Z
54	—	L1, L2, B, C, Z
60	—	L1, L2, C, Z

Propeller Availability

LHD and LHB propeller roof ventilators are available with either fixed pitch fabricated steel (sizes 21 through 60) or adjustable pitch cast aluminum propellers (sizes 14 through 60). Each propeller type is designed for a wide variety of commercial market applications with static pressure capabilities from 0" to 1". Regardless of the application requirement, LHD and LHB propellers offer the right choice.



“L1 & L2” Fabricated Steel Propellers

The “L1” and “L2” series features fixed pitch, fabricated steel, 5-bladed propellers. Galvanized steel propeller blades are riveted to galvanized steel hubs. Available in 8 sizes from 21" to 60" diameters in either standard L1 construction or reinforced L2 construction.



“B” Die Cast Aluminum Propellers

The “B” series features a die cast aluminum propeller available in 4, 5 and 6 blade designs. Blade angles are factory set and mounted in a die cast aluminum hub. “B” propellers are available in 14" through 54" diameters.



“E” Die Cast Aluminum Propellers

The “E” series features a die cast aluminum propeller available in 4 and 8 blade designs. Blade angles are factory set and mounted in a die cast aluminum hub. “E” propellers are available in 14" through 48" diameters.



“C” Cast Aluminum Propellers

The “C” series is a cast aluminum propeller available in 4 and 6 blade designs, and is available in 54" and 60" diameters only. Blade angles are factory set and mounted in a cast aluminum hub.



“Z” Fabricated Steel Propeller

The “Z” series features a fixed pitch, fabricated steel, 5-bladed propeller. Steel blades are continuously welded to a heavy gauge hub at the customer’s selected blade angle. “Z” propellers are available in 24" through 60" diameters.

MODEL NOMENCLATURE



LHB - E - 24 - B - 1 - 05 - 25

Model _____

- LHD = Low Profile Hooded Propeller Roof Ventilator, Direct Drive
- LHB = Low Profile Hooded Propeller Roof Ventilator, Belt Driven
- LHDF = Low Profile Hooded Filtered Supply Propeller Roof Ventilator, Direct Drive
- LHBF = Low Profile Hooded Filtered Supply Propeller Roof Ventilator, Belt Driven

E = Exhaust, S = Supply (LHB/LHD Only) _____

Fan Size _____

Propeller Type _____

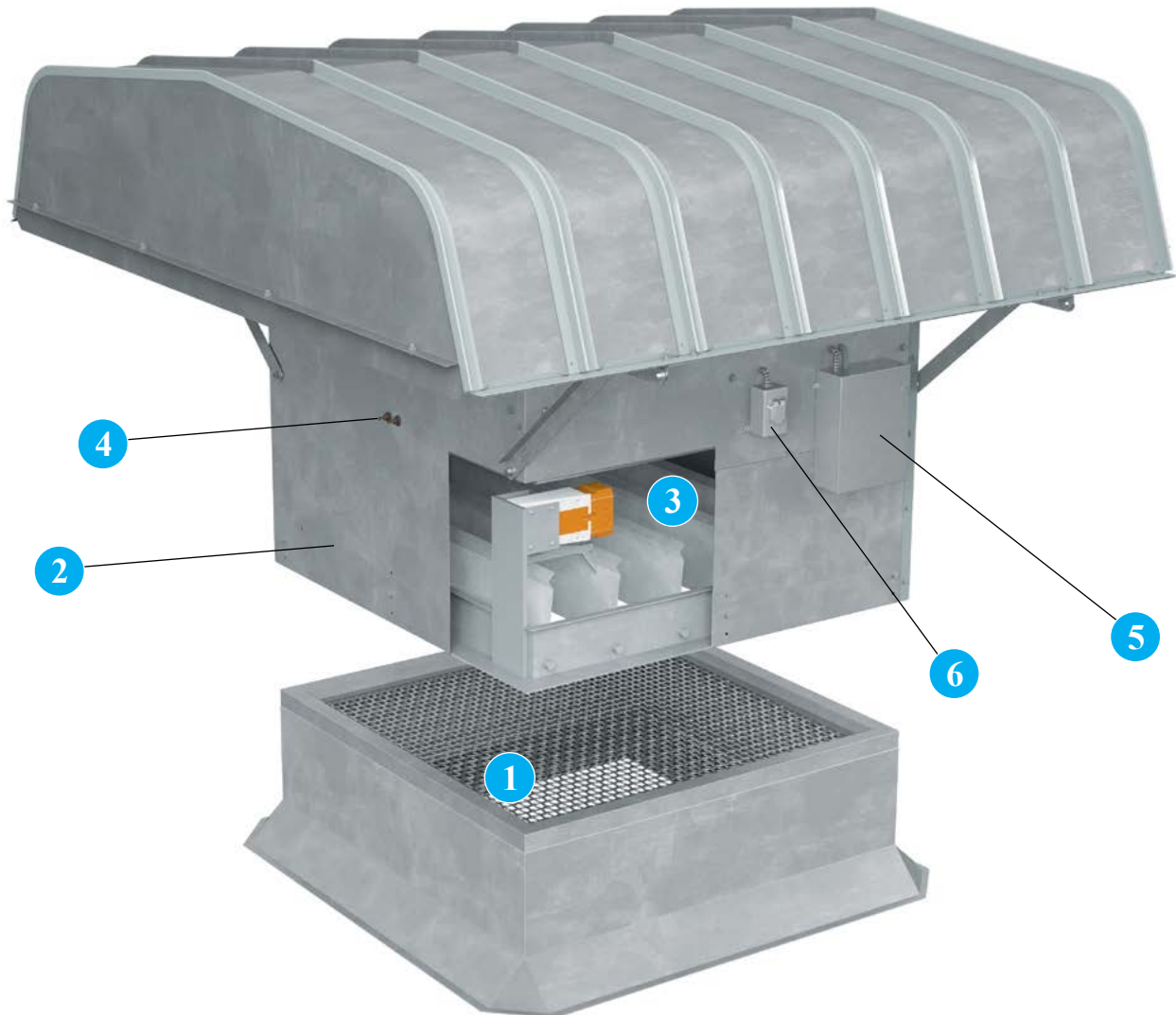
- | | |
|---------------------------|--|
| L1 = Level 1, Fab. Steel | C3 = Cast Alum., 3 Bladed |
| L2 = Level 2, Fab. Steel | C6 = Cast Alum., 6 Bladed |
| E4 = Cast Alum., 4 Bladed | Z5 = Fab. Steel, 5 Bladed |
| E8 = Cast Alum., 8 Bladed | B = Cast Aluminum, Adjustable Pitch
(4-, 5- and 6-Bladed) |

Hub Designation (B Propeller Only) _____

No. of Blades _____

Blade Angle (B, C, E and Z Propellers Only) _____





1 Curb Side Guard Mounted to the curb side of the fan to allow for protection of personnel below fan in non-ducted installations. **Twin City Fan recommends the use of a curb side guard on all non-ducted installations.**

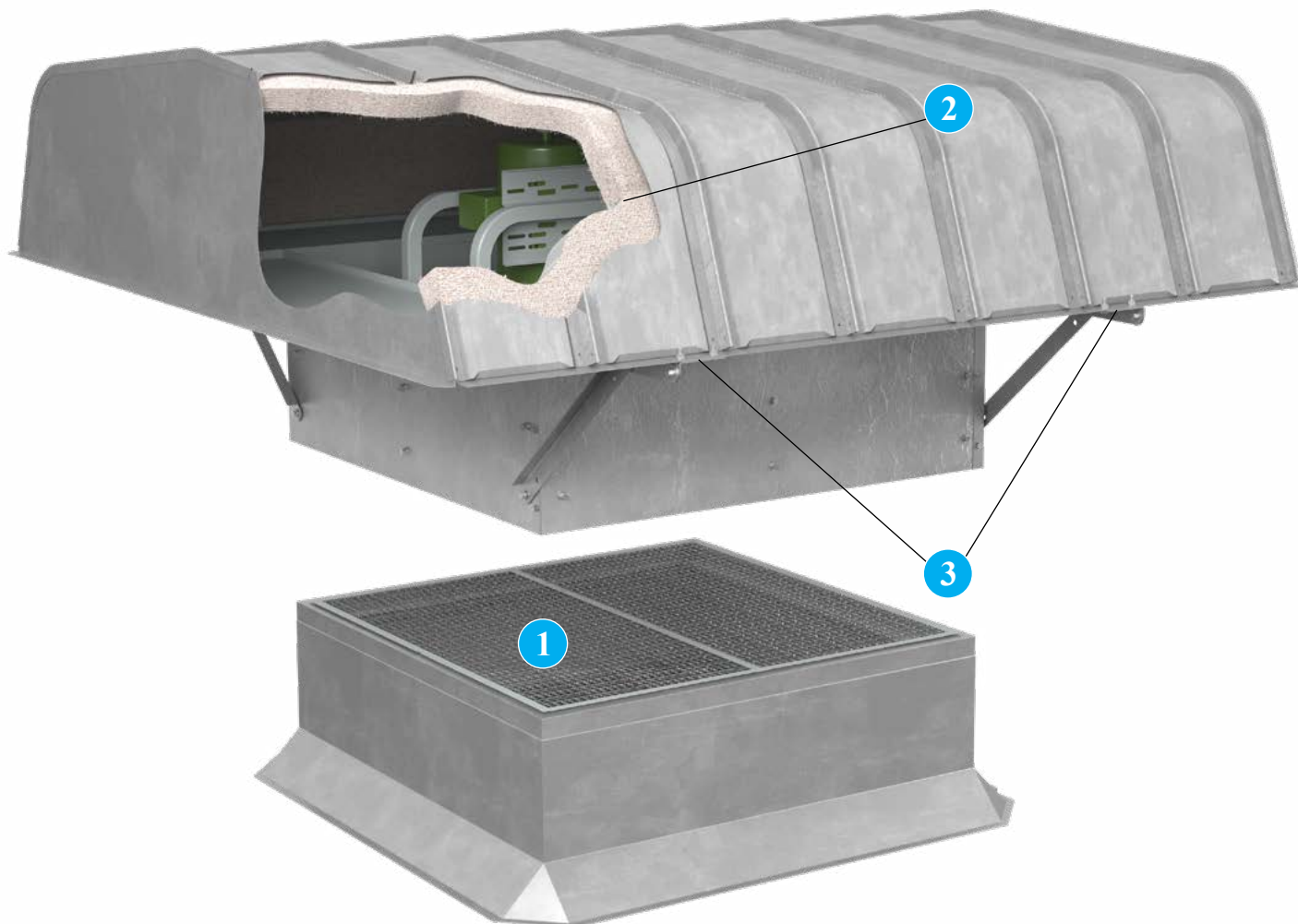
2 Curb Base (Tall) Extended base section with access door and damper tray allows for easy access of motorized and non-motorized backdraft dampers for maintenance and cleaning. This option is advantageous over the standard fan with roof curb extension because the base ships as one piece.

3 Motorized Damper Used to keep unwanted air out of the building when the fan is not in use, dampers are available as either gravity operated or motorized.

4 Extended Lube Lines (on panel) Allow for easy lubrication of bearings on belt driven units without disassembly by extending polyethylene lines from fan bearings to exterior of base.

5 Single Point Wiring Junction box on exterior of base houses disconnect switch and motorized damper wire connections. Available with tall base, motorized damper and wired disconnect switch only.

6 NEMA 3R Disconnect Switch NEMA 3R, rain proof, disconnects are available shipped loose for field mounting and wiring or factory mounted and wired.



1 Insect Screen An aluminum insect screen, placed between the fan base and the roof curb, prevents insects from entering the building.

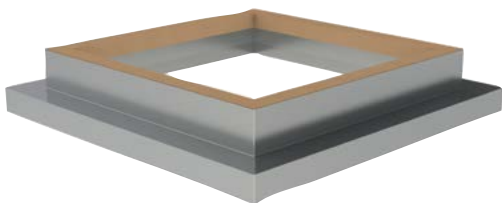
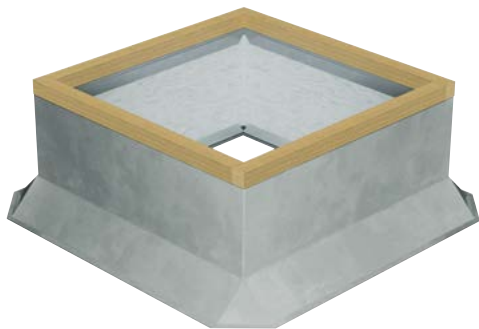
2 Insulated Hood Inside of hood is lined with insulation to reduce sound and condensation from the hood.

3 Tie Downs A quantity of four tie-down brackets are included to help secure the unit to the roof in areas with strong winds. Cables used for tie down are supplied by others.

Other Accessories Include:

- Aluminum Construction
- Special Coatings





Canted Roof Curbs

- Constructed of 18-gauge galvanized steel with continuous welded seams
- Large 3" built-in 45° cant to accommodate roofing material to top of curb. Cant is beveled at corners for better support of roofing material
- Wood nailer (1½") secured to top ledge
- Lined with 1½" fiberglass fire-resistant, sound-absorbing insulation
- Damper shelf standard
- Options: Aluminum (16-gauge) construction, Burglar security bars, Metal liner (galvanized or aluminum), Special heights up to 24", Single or double pitched curbs for sloping roofs

Self Flashing & Straight Sided Roof Curbs

- Constructed of 18-gauge galvanized steel with continuous welded seams
- Wide base plate (flashing) to insure watertight seal to roof
- Top ledge covered with ¾" polystyrene gasket for weather seal and to reduce metal-to-metal conducted noise
- Lined with 1½" fiberglass fire-resistant, sound-absorbing insulation
- Damper shelf standard
- Straight-sided roof curbs are constructed with the same features as the self-flashing curbs, but are one dimensional to allow for field supplied cants and roofing material to be brought up to the top of the curb
- Options: Aluminum (16-gauge) construction, Burglar security bars, Metal liner (galvanized or aluminum), Special heights up to 24", Wood nailer (1½") secured to top ledge in lieu of polystyrene gasket, Single or double pitched curbs for sloping roofs

Curb Adapters

- Constructed of heavy-gauge galvanized steel with continuous welded seams
- Top ledge covered with ¾" polystyrene gasket to reduce metal-to-metal conducted noise and act as a weather seal
- Available in enlarger or reducer (shown) models



Disconnect switches provide positive electrical shutoff during fan cleaning or maintenance.

NEMA 1 Disconnect Switch (Standard)

A NEMA 1 disconnect switch is available shipped loose for field mounting and wiring or factory mounted and wired with ODP or TEFC motors.



NEMA 1 Disconnect Switch

NEMA 3R Disconnect Switch

A NEMA 3R, rain proof, disconnect is available shipped loose for field mounting and wiring or factory mounted and wired externally.



NEMA 3R Disconnect Switch

NEMA 4 Disconnect Switch

A NEMA 4, water and dust tight, disconnect is available shipped loose for field mounting and wiring or factory mounted and wired externally.



NEMA 4 Disconnect Switch

NEMA 7/9 Disconnect Switch

A NEMA 7/9 disconnect switch is recommended on fans with explosion proof motors. The NEMA 7/9 switch is designed for use with fans operating in hazardous environments. Available shipped loose for field mounting and wiring. (Not shown.)



Material Specifications – Direct Drive, LHD/LHDF

FAN SIZE	GAUGE OF MATERIAL						
	FAN HOUSING	HOOD	FAN PANEL	DRIVE FRAME	PROPELLERS		HUBS
					B/E	Z	Z
14	18	22	16	14	DIE CAST ALUM.	---	---
16	18	22	16	14		---	---
18	18	22	16	14		---	---
21	18	22	16	14		---	---
24	18	22	14	12		14	12
30	18	22	14	12		14	12
36	18	22	14	12		12	12
42	16	22	12	10		10	10
48	16	22	12	10		10	10

* All gauges are minimums.

Material Specifications – Belt Driven, LHB/LHBF

FAN SIZE	GAUGE OF MATERIAL														SHAFT SIZE (IN.)		
	FAN HOUSING	HOOD	FAN PANEL		DRIVE FRAME		PROPELLERS				HUBS		L1	L2	B/E/C/Z		
			L1/L2	B/E/C/Z	L1/L2	E/C/Z	L1/L2	B	E	C	Z	L1/L2				Z	
21	18	22	16	16	14	14	16	CAST ALUM.	CAST ALUM.	---	---	14	---	3/4	3/4	1	
24	18	22	16	14	14	14	16			---	14	14	12	3/4	3/4	1	
30	18	22	16	14	12	12	16			---	14	14	12	3/4	1	1	
36	18	22	16	14	12	12	16			---	12	14	12	3/4	1	1	
42	16	22	14	12	12	12	14			---	10	12	10	1	1 ³ / ₁₆	1 ³ / ₁₆	
48	16	22	14	12	12	12	14			---	10	12	10	1	1 ³ / ₁₆	1 ⁷ / ₁₆	
54	16	22	14	12	12	10	14			---	CAST ALUM.	10	12	7	1	1 ³ / ₁₆	1 ⁷ / ₁₆
60	16	22	14	12	12	10	12			---	---	10	3/16	7	1 ³ / ₁₆	1 ¹ / ₂	1 ¹¹ / ₁₆

* All gauges are minimums.

Shipping Weights – LHD/LHDF

FAN SIZE	B/E4		E8		Z5	
	LHD	LHDF	LHD	LHDF	LHD	LHDF
14	153	---	155	---	---	---
16	163	---	165	---	---	---
18	170	---	173	---	---	---
21	205	251	208	253	---	---
24	272	319	307	354	308	355
30	379	472	386	479	375	468
36	512	586	520	593	515	589
42	645	714	660	729	653	722
48	760	871	776	887	773	884

* Weights are only approximate and do not include accessories. Consult Fan Selector Program for actual shipping weights.

Shipping Weights – LHB/LHBF

FAN SIZE	L1		L2		B/E4		E8		C3		C6		Z5	
	LHB	LHBF	LHB	LHBF	LHB	LHBF	LHB	LHBF	LHB	LHBF	LHB	LHBF	LHB	LHBF
21	203	247	209	254	209	256	212	258	---	---	---	---	---	---
24	260	305	269	314	273	318	276	321	---	---	---	---	277	322
30	368	458	391	482	393	535	399	542	---	---	---	---	388	531
36	465	500	490	562	516	590	524	597	---	---	---	---	519	593
42	568	634	632	699	674	745	689	760	---	---	---	---	682	753
48	678	786	756	865	796	909	812	925	---	---	---	---	809	922
54	779	925	859	1005	---	---	---	---	942	1094	956	1108	983	1135
60	926	1085	1028	1187	---	---	---	---	1145	1310	1160	1325	1191	1357

* Weights are only approximate and do not include accessories. Consult Fan Selector Program for actual shipping weights.

Direct Drive, LHD

14 – 21 LHD

MODEL INFO			MOTOR HP	FAN RPM	MAX BHP	SONES @ 0° SP	CFM/STATIC PRESSURE (IN. W.G.)												
SIZE	PROPELLER	BLADE ANGLE					0.000	0.100	0.125	0.150	0.200	0.250	0.300	0.375	0.500	0.625	0.750	1.000	
Max RPM B105 = 1750			E4 = 1750			E8 = 1750			Max Motor Frame Size = 56						Outlet Area (ft²) = 1.108				
14	B105 Cast Aluminum	10	1/4	1750	0.10	14.5	975	883	862	842	801	754	701	628	478	381	299		
		15		1750	0.14	15.2	1320	1236	1214	1192	1149	1105	1055	949	813				
		20		1750	0.19	15.1	1645	1558	1535	1512	1465	1418	1367	1271	1077				
		25		1750	0.25	15.9	1951	1855	1830	1804	1751	1696	1639	1535	1298	1109			
	E4 Cast Aluminum	20	1/4	1750	0.19	12.5	1904	1786	1753	1718	1642	1553	1448	1265	876				
		24		1750	0.22	13.0	2117	1993	1958	1922	1840	1744	1643	1470	1107				
		28		1750	0.26	13.7	2297	2161	2124	2086	2006	1919	1819	1623	1207				
	E8 Cast Aluminum	16	1/4	1750	0.21	14.6	1593	1526	1509	1490	1451	1409	1361	1283	1146				
		20		1750	0.26	14.9	1853	1779	1759	1739	1697	1653	1604	1523	1384	1170			
		24	1/3	1750	0.32	14.7	2115	2037	2016	1995	1951	1904	1854	1770	1616	1432			
Max RPM B105 = 1750			E4 = 1750			E8 = 1750			Max Motor Frame Size = 56						Outlet Area (ft²) = 1.44				
16	B105 Cast Aluminum	10	1/4	1750	0.16	18.0	1432	1322	1295	1269	1219	1169	1112	1017	870	679	563		
		15		1750	0.25	19.0	1942	1841	1815	1789	1736	1684	1631	1541	1335	1174			
		20		1/3	1750	0.34	19.3	2424	2319	2292	2264	2208	2151	2094	2004	1780	1570	1368	
		25		1/2	1750	0.44	19.6	2870	2756	2726	2696	2634	2570	2504	2401	2166	1895	1665	
	E4 Cast Aluminum	16	1/4	1750	0.23	17.6	2346	2202	2163	2123	2039	1947	1839	1626					
		20		1/3	1750	0.29	18.4	2689	2544	2504	2463	2376	2279	2173	1997	1583			
		24		1/2	1750	0.37	19.4	3014	2862	2821	2778	2687	2587	2476	2286	1909			
		28		1/2	1750	0.45	20	3330	3156	3110	3064	2967	2867	2759	2571	2148			
	E8 Cast Aluminum	16	1/3	1750	0.34	13.4	2283	2202	2180	2159	2114	2066	2016	1934	1778	1581			
		20		1/2	1750	0.43	15.0	2685	2591	2567	2542	2493	2443	2393	2318	2182	1979	1676	
		24		1/2	1750	0.54	15.4	3070	2985	2963	2940	2893	2843	2791	2704	2532	2329	2072	
Max RPM B105 = 1750			E4 = 1750			E8 = 1750			Max Motor Frame Size = 56						Outlet Area (ft²) = 1.817				
18	B105 Cast Aluminum	10	1/4	1750	0.25	22	2006	1876	1844	1812	1751	1692	1632	1527	1343	1150	928	670	
		15		1750	0.39	23	2732	2611	2580	2549	2487	2424	2362	2266	2056	1826	1629		
		20		1/2	1750	0.53	23	3409	3285	3253	3221	3156	3088	3020	2917	2724	2425	2193	
		25		3/4	1750	0.68	24	4036	3901	3866	3830	3758	3684	3607	3490	3274	2957	2653	
	E4 Cast Aluminum	16	1/3	1750	0.34	18.8	3252	3067	3019	2970	2871	2768	2661	2486	2141				
		20		1/2	1750	0.43	21	3719	3553	3508	3462	3365	3258	3140	2959	2642	2176		
		24		1/2	1750	0.54	21	4211	4005	3953	3901	3796	3693	3587	3413	3044	2632	2051	
		28		3/4	1750	0.65	23	4601	4414	4365	4315	4211	4102	3988	3802	3433	2986	2430	
	E8 Cast Aluminum	12	1/2	1750	0.42	22	2569	2462	2434	2406	2350	2292	2235	2145	1968	1747			
		16		1750	0.52	23	3141	3043	3018	2992	2940	2886	2830	2743	2586	2386	2106		
		20		3/4	1750	0.68	24	3724	3607	3578	3549	3491	3434	3378	3299	3173	3026	2699	
Max RPM B105 = 1750			E4 = 1750			E8 = 1750			Max Motor Frame Size = 145T						Outlet Area (ft²) = 2.463				
21	B105 Cast Aluminum	10	1/2	1750	0.43	27	3115	2952	2912	2872	2791	2713	2636	2515	2285	2051	1796	1284	
		15		3/4	1750	0.68	29	4265	4110	4071	4031	3952	3871	3790	3670	3456	3167	2874	
		20		1	1750	0.98	29	5325	5166	5125	5085	5001	4917	4831	4700	4477	4218	3846	3229
		25		1 1/2	1750	1.26	30	6296	6125	6081	6037	5947	5855	5760	5615	5364	5084	4704	3928
	E4 Cast Aluminum	12	1/2	1750	0.40	24	3900	3646	3582	3520	3398	3273	3133	2881	2357				
		16		3/4	1750	0.53	25	4651	4422	4362	4301	4174	4041	3901	3682	3262			
		20		1	1750	0.71	31	5493	5262	5202	5141	5016	4885	4749	4532	4128	3617		
		24		1 1/2	1750	0.89	30	6153	5909	5845	5780	5647	5507	5361	5132	4736	4263	3572	
	E8 Cast Aluminum	12	1	1750	1.10	30	6803	6539	6471	6402	6263	6120	5974	5745	5330	4850	4226		
		16		1 1/2	1750	1.34	32	7373	7114	7046	6978	6838	6693	6544	6306	5851	5302	4695	
		20		1 1/2	1750	1.45	28	6425	6298	6265	6232	6163	6093	6021	5907	5703	5472	5208	4480
		24		1 1/2	1750	1.45	28	6425	6298	6265	6232	6163	6093	6021	5907	5703	5472	5208	4480

NOTES:

1. Performance shown is for installation type A: Free inlet, free outlet.
2. Performance ratings do not include the effects of appurtenances (accessories) in the airstream.
3. The sound ratings shown are loudness values in fan sones at 5 ft. (1.5m) in a hemispherical free field calculated per AMCA Standard 301. Values are for installation Type A: Free inlet hemispherical sone levels.

24 - 36 LHD

MODEL INFO				CFM/STATIC PRESSURE (IN. W.G.)																					
SIZE	PROPELLER	BLADE ANGLE	MOTOR HP	FAN RPM	MAX BHP	SONES @ 0' SP	0.000	0.100	0.125	0.150	0.200	0.250	0.300	0.375	0.500	0.625	0.750	1.000							
24	B105 Cast Aluminum	Max RPM B105 = 1750				E4 = 1750				E8 = 1750				Z5 = 1750				Max Motor Frame Size = 184T					Outlet Area (ft ²) = 3.207		
		10	3/4	1750	0.68	39	4555	4352	4301	4250	4148	4046	3946	3794	3520	3218	2916	2175							
		15	1 1/2	1750	1.12	36	6267	6070	6021	5971	5869	5767	5664	5508	5244	4946	4564	3869							
		20		1750	1.55	35	7830	7628	7576	7525	7420	7314	7205	7040	6761	6466	6117	5245							
		25	2	1750	2.03	34	9245	9030	8975	8919	8807	8692	8576	8396	8088	7765	7404	6426							
	E4 Cast Aluminum	12	3/4	1750	0.55	35	5262	4952	4870	4786	4610	4423	4231	3934	3389										
		16	3/4	1750	0.80	36	6627	6317	6237	6157	5993	5827	5657	5389	4893	4319	3596								
		20	1	1750	1.06	38	7721	7426	7349	7271	7110	6941	6763	6481	5994	5466	4806								
		24	1 1/2	1750	1.37	41	8783	8474	8395	8314	8151	7983	7812	7545	7067	6524	5912								
		28	2	1750	1.70	44	9712	9405	9325	9245	9081	8911	8735	8456	7964	7458	6903								
	E8 Cast Aluminum	12	1	1750	0.98	40	5231	5073	5032	4990	4902	4810	4713	4552	4245	3896	3527								
		16	1 1/2	1750	1.34	39	6661	6471	6423	6375	6279	6182	6085	5940	5703	5447	5126	4274							
		20		1750	1.76	42	8027	7863	7821	7778	7692	7604	7514	7375	7134	6877	6595	5843							
		24	2	1750	2.22	46	9287	9111	9066	9021	8930	8838	8743	8599	8350	8094	7823	7128							
		30	3	1750	2.57	37	10514	10276	10215	10154	10029	9901	9770	9568	9214	8833	8412	7344							
	Z5 Fabricated Steel	30	1/4	860	0.22	13.6	4398	3948	3842	3734	3473														
		35	1/4	860	0.32	13.9	5221	4794	4669	4532	4217	3818	3251												
		40	1/2	860	0.42	14.8	6028	5541	5392	5223	4862	4517	3998												
		45	1/2	860	0.50	15.5	6551	6008	5851	5683	5305	4856													
		30	1/2	1160	0.54	23	5932	5597	5514	5430	5268	5111	4945	4630											
35		3/4	1160	0.77	24	7042	6742	6661	6578	6402	6209	5995	5630	4812											
40		1	1160	1.02	25	8131	7790	7698	7602	7398	7163	6899	6501	5820											
45		1 1/2	1160	1.24	26	8837	8452	8349	8244	8021	7782	7522	7089												
30		2	1160	1.89	45	8949	8727	8672	8616	8505	8395	8284	8118	7855	7591	7294	6413								
30		2	1160	1.89	45	8949	8727	8672	8616	8505	8395	8284	8118	7855	7591	7294	6413								
30	B105 Cast Aluminum	Max RPM B105 = 1160				E4 = 1160				E8 = 1160				Z5 = 1160				Max Motor Frame Size = 184T					Outlet Area (ft ²) = 5.032		
		10	1/2	1160	0.41	28	5734	5252	5124	4991	4715	4431	4137	3636	2626	1558	671								
		15	3/4	1160	0.65	28	7972	7473	7344	7213	6946	6672	6380	5881	4955										
		20	1	1160	0.96	27	9977	9460	9326	9191	8915	8635	8346	7870	6904	5764									
		25	1 1/2	1160	1.30	27	11751	11214	11075	10933	10644	10347	10042	9555	8591	7267									
	E4 Cast Aluminum	12	3/4	1160	0.68	28	7202	6712	6583	6452	6181	5897	5602	5117											
		16	1	1160	0.92	27	8709	8202	8074	7945	7689	7430	7160	6726	5833										
		20	1 1/2	1160	1.20	28	10151	9700	9582	9463	9216	8960	8691	8263	7457	6384									
		24	2	1160	1.54	28	11558	11078	10954	10827	10567	10297	10016	9572	8781	7763	6277								
		28	2	1160	1.92	31	12991	12498	12370	12240	11973	11697	11411	10958	10105	9074	7773								
	E8 Cast Aluminum	12	1 1/2	1160	1.12	29	7071	6802	6731	6659	6509	6351	6183	5909	5369										
		16	1 1/2	1160	1.45	30	8695	8440	8374	8306	8166	8020	7867	7620	7154	6605									
		20	2	1160	1.93	31	10530	10220	10141	10063	9905	9745	9585	9350	8957	8496	7784								
		30	1/2	860	0.46	18.2	7652	6910	6753	6599	6259	5847	5325												
		35	3/4	860	0.65	18.3	9012	8363	8197	8034	7698	7301	6742	5788											
	Z5 Fabricated Steel	40	1	860	0.89	18.8	10481	9745	9548	9345	8919	8454	7944	6830											
		45	1	860	1.08	19.2	11331	10547	10340	10127	9683	9213	8734												
		30	1 1/2	1160	1.14	28	10321	9741	9606	9476	9236	9006	8773	8379	7566	6309									
		35	1 1/2	1160	1.60	28	12156	11680	11559	11437	11191	10947	10704	10324	9504	8364									
		40	2	1160	2.17	29	14138	13604	13466	13326	13039	12744	12439	11957	11073	9966									
36	B206 Cast Aluminum	Max RPM B206 = 1160				E4 = 1160				E8 = 1160				Z5 = 1160				Max Motor Frame Size = 215T					Outlet Area (ft ²) = 7.217		
		10	1	1160	0.96	43	9257	8692	8545	8396	8093	7780	7450	6893	5868	4690	3395	1250							
		15	1 1/2	1160	1.45	44	12663	12137	12001	11861	11574	11276	10966	10471	9487	8360	6996								
		20	2	1160	2.14	45	15876	15341	15202	15061	14771	14471	14158	13666	12754	11625	10312								
		25	3	1160	2.93	46	18896	18323	18174	18023	17715	17397	17067	16549	15608	14523	13186								
	E4 Cast Aluminum	12	1	1160	1.04	39	9853	9160	8985	8810	8460	8097	7709	7073											
		16	1 1/2	1160	1.38	36	12198	11549	11382	11214	10873	10527	10168	9581	8449	7073									
		20	2	1160	1.86	41	14951	14360	14205	14045	13715	13364	12989	12386	11288	10024	8524								
		24	3	1160	2.44	40	17258	16637	16475	16310	15970	15612	15231	14626	13588	12475	11069								
		28	3	1160	3.15	44	19577	18944	18779	18610	18264	17902	17516	16898	15821	14718	13330								
	E8 Cast Aluminum	12	2	1160	1.84	40	10043	9586	9471	9357	9128	8906	8687	8349											
		16	3	1160	2.45	45	12845	12502	12412	12320	12130	11931	11722	11377	10698	9982	9212								
		20	3	1160	3.31	48	15788	15427	15335	15241	15049	14852	14650	14336	13778	13163	12445	10523							
		30	1 1/2	860	1.15	25	13190	12274	12068	11875	11504	11122	10685	9917	7964										
		35	1 1/2	860	1.61	25	15537	14767	14570	14371	13978	13586	13171	12408	10605										
	Z5 Fabricated Steel	40	2	860	2.20	26	18061	17192	16965	16733	16258	15761	15237	14389	12613										
		45	3	860	2.71	27	19518	18593	18352	18108	17606	17085	16540	15699											
		30	3	1160	2.81	39	17792	17091	16925	16761	16443	16147	15867	15456	14721	13836	12764								

NOTES:

1. Performance shown is for installation type A: Free inlet, free outlet.
2. Performance ratings do not include the effects of appurtenances (accessories) in the airstream.
3. The sound ratings shown are loudness values in fan sones at 5 ft. (1.5m) in a hemispherical free field calculated per AMCA Standard 301. Values are for installation Type A: Free inlet hemispherical sone levels.

Direct Drive, LHD

42 – 48 LHD

MODEL INFO		BLADE ANGLE	MOTOR HP	FAN RPM	MAX BHP	SONES @ 0" SP	CFM/STATIC PRESSURE (IN. W.G.)												
SIZE	PROPELLER						0.000	0.100	0.125	0.150	0.200	0.250	0.300	0.375	0.500	0.625	0.750	1.000	
42	B304 Cast Aluminum	10	1	860	0.77	30	12608	11535	11257	10976	10386	9724	8998	7816	5417	2918			
		15	1 1/2	860	1.22	32	16381	15289	14990	14680	14029	13348	12625	11508	9509				
		20	2	860	1.75	33	19663	18535	18222	17894	17200	16472	15726	14553	12558				
		25	3	860	2.37	36	22455	21271	20940	20594	19865	19098	18312	17071	14832				
		30	3	860	3.08	39	24765	23494	23140	22775	22011	21208	20373	19037	16279				
	E4 Cast Aluminum	12	1 1/2	860	1.32	26	13622	12670	12423	12173	11660	11120	10555	9597					
		16	2	860	1.77	27	16520	15567	15325	15085	14604	14112	13590	12745					
		24	3	860	3.03	30	22198	21282	21043	20800	20299	19775	19230	18379	16873	14935	12179		
		28	5	860	3.80	34	24942	24001	23757	23508	22995	22461	21904	21024	19416	17474	15059		
	E8 Cast Aluminum	12	2	860	2.22	24	13568	13020	12877	12731	12431	12118	11792	11266					
		16	3	860	2.88	27	16831	16334	16204	16071	15797	15510	15208	14714	13786	12722			
		20	5	860	3.89	29	20397	19822	19676	19529	19232	18930	18626	18174	17395	16461	15116		
	Z5 Fabricated Steel	24	5	860	4.94	29	23433	22925	22794	22660	22387	22104	21812	21353	20520	19563	18317	15160	
		30	3	860	3.15	32	21466	20882	20727	20568	20236	19882	19496	18820	17517	16172	14264		
			35	5	860	4.30	31	25409	24444	24234	24037	23667	23314	22964	22417	21263	19607	17786	
	48	B304 Cast Aluminum	10	1 1/2	860	1.12	34	17361	16045	15702	15356	14652	13892	13005	11573	8992	5264	2119	
15			2	860	1.78	38	22801	21497	21149	20791	20039	19224	18366	16995	14740				
20			3	860	2.62	40	27584	26239	25882	25515	24747	23914	23015	21613	19151	16696			
25			5	860	3.61	43	31707	30277	29900	29514	28714	27864	26952	25497	22870	19908			
30			5	860	4.89	47	35174	33602	33193	32777	31922	31035	30115	28642	25814	21527			
E4 Cast Aluminum		12	2	860	1.79	37	17059	15843	15538	15233	14616	13963	13268	12103					
		16	3	860	2.37	36	21078	19934	19640	19344	18745	18128	17478	16416	14356	11908			
		20	5	860	3.20	40	25784	24721	24440	24153	23551	22908	22228	21157	19189	16919	14156		
		24	5	860	4.18	38	29643	28529	28237	27940	27320	26663	25976	24917	23123	21075	18467		
E8 Cast Aluminum		28	5	860	5.40	45	33505	32365	32067	31763	31129	30458	29756	28666	26837	24829	22099		
		12	3	860	3.14	40	17471	16665	16463	16262	15861	15473	15085	14466					
Z5 Fabricated Steel		16	5	860	4.21	45	22360	21738	21574	21407	21061	20698	20312	19662	18432	17172	15742		
		20	5	860	5.56	45	27403	26754	26587	26418	26073	25718	25353	24784	23773	22640	21274	17750	
			30	5	860	4.83	40	30427	29288	29014	28750	28250	27770	27296	26570	25184	23545	21445	

NOTES:

1. Performance shown is for installation type A: Free inlet, free outlet.
2. Performance ratings do not include the effects of appurtenances (accessories) in the airstream.
3. The sound ratings shown are loudness values in fan sones at 5 ft. (1.5m) in a hemispherical free field calculated per AMCA Standard 301. Values are for installation Type A: Free inlet hemispherical sone levels.



21 LHB

MODEL INFO		MOTOR HP	FAN RPM	MAX BHP	SONES @ 0" SP	CFM/STATIC PRESSURE (IN. W.G.)												
PROPELLER	BLADE ANGLE					0.000	0.100	0.125	0.150	0.200	0.250	0.300	0.375	0.500	0.625	0.750	1.000	
Level 1 Performance		Max RPM L1 = 1085			Max Motor Frame Size = 56						Outlet Area (ft ²) = 2.463							
L1 Fabricated Steel	---	1/4	734 760 784	0.22 0.25 0.28	10.1 10.6 11.1	4096 4242 4376	3528 3711 3876	3314 3505 3679	3090 3297 3480	3007								
	---	1/3	805 833 860	0.30 0.33 0.37	11.8 12.0 12.8	4493 4649 4800	4017 4202 4375	3832 4032 4220	3637 3842 4039	3197 3446 3668	3202							
	---	1/2	924 957 988	0.43 0.50 0.55	14.2 15.0 16.0	5157 5341 5514	4776 4978 5166	4650 4863 5059	4497 4725 4934	4159 4401 4627	3789 4065 4309	3654 3934						
Level 2 Performance		Max RPM L2 = 1241			Max Motor Frame Size = 145T						Outlet Area (ft ²) = 2.463							
L2 Fabricated Steel	---	1/2	924 957 988	0.43 0.50 0.55	14.2 15.0 16.0	5157 5341 5514	4776 4978 5166	4650 4863 5059	4497 4725 4934	4159 4401 4627	3789 4065 4309	3654 3934						
	---	3/4	1058 1096 1131	0.65 0.75 0.83	18.1 19.4 20	5905 6117 6312	5586 5811 6018	5492 5723 5934	5389 5628 5845	5130 5395 5632	4834 5110 5365	4530 4826 5089	3970 4321 4635					
Level 3 Performance		Max RPM B105 = 1890			E4 = 1890			E8 = 1280			Max Motor Frame Size = 145T			Outlet Area (ft ²) = 2.463				
B105 Cast Aluminum	20	1/4	1142	0.27	15.5	3444	3201	3134	3063	2914	2751	2570	2273					
	25		1048	0.27	13.8	3727	3434	3351	3264	3073	2860	2603	2241					
	30		977	0.27	13.0	3948	3584	3477	3362	3107	2812	2474						
	20	1/3	1252	0.36	17.8	3776	3557	3498	3436	3306	3167	3017	2758	2332				
	25		1150	0.35	15.9	4089	3827	3755	3679	3516	3338	3142	2796					
	30		1072	0.36	15.0	4332	4007	3915	3817	3602	3364	3091	2625					
	20	1/2	1438	0.54	22	4337	4149	4099	4048	3942	3829	3711	3521	3149	2778			
	25		1320	0.55	20	4694	4470	4410	4348	4217	4076	3925	3678	3187	2696			
	30		1231	0.55	18.7	4974	4698	4622	4544	4376	4190	3988	3655	2983				
20	3/4	1646	0.79	28	4964	4802	4760	4717	4628	4535	4438	4286	4010	3699	3347			
25		1511	0.81	25	5373	5180	5129	5077	4969	4855	4735	4542	4184	3748	3336			
30		1409	0.82	23	5694	5456	5393	5328	5191	5045	4888	4630	4145	3562				
E4 Cast Aluminum	20	1/4	1310	0.27	14.9	3875	3562	3479	3394	3215	3028	2826	2387					
	28		1116	0.27	13.6	4285	3879	3775	3668	3435	3168	2857						
	32		1043	0.28	12.6	4391	3961	3817	3669	3407	3126	2743						
	20	1/3	1442	0.37	17.3	4266	3984	3910	3834	3678	3513	3344	3062					
	28		1228	0.37	15.8	4715	4347	4254	4159	3962	3744	3500	3069					
	32		1148	0.37	14.8	4833	4458	4341	4209	3947	3714	3458	2926					
	20	1/2	1650	0.55	22	4881	4637	4574	4510	4378	4241	4100	3879	3469				
	28		1406	0.55	19.7	5399	5079	4997	4916	4751	4580	4396	4088	3466				
	32		1314	0.55	18.3	5532	5214	5125	5027	4801	4569	4362	4046	3283				
20	3/4	1889	0.82	27	5588	5376	5322	5267	5155	5040	4922	4739	4419	4071	3580			
28		1610	0.82	23	6182	5904	5833	5762	5619	5476	5329	5094	4650	4119	3355			
32		1504	0.82	21	6332	6060	5987	5910	5741	5545	5338	5057	4595	3949				
E8 Cast Aluminum	32	1/4	886	0.28	11.1	4051	3716	3630	3543	3350	3084	2757						
	32	1/3	975	0.37	13.0	4457	4156	4077	3999	3838	3655	3410	2960					
	32	1/2	1116	0.55	16.0	5102	4841	4773	4705	4568	4428	4277	3989	3338				
	32	3/4	1277	0.83	20	5838	5611	5553	5495	5375	5255	5134	4943	4528	3965			

NOTES:

1. Performance certified is for installation type A: Free inlet, free outlet.
2. Power rating (BHP) does not include transmission losses.
3. Performance ratings do not include the effects of appurtenances (accessories) in the airstream.
4. The sound ratings shown are loudness values in fan sones at 5 ft. (1.5m) in a hemispherical free field calculated per AMCA Standard 301. Values are for installation Type A: Free inlet hemispherical sone levels.

Belt Driven, LHB

24 LHB

MODEL INFO		MOTOR HP	FAN RPM	MAX BHP	SONES @ 0" SP	CFM/STATIC PRESSURE (IN. W.G.)														
PROPELLER	BLADE ANGLE					0.000	0.100	0.125	0.150	0.200	0.250	0.300	0.375	0.500	0.625	0.750	1.000			
Level 1 Performance		Max RPM L1 = 907				Max Motor Frame Size = 56						Outlet Area (ft²) = 3.207								
L1 Fabricated Steel	---	1/4	587	0.22	9.1	4949	4092	3771	3380											
			608	0.25	9.7	5126	4330	4023	3676											
			628	0.28	10.3	5294	4552	4254	3944											
	---	1/3	644	0.30	10.7	5429	4725	4436	4143											
			667	0.33	11.5	5623	4967	4697	4418	3743										
			689	0.37	12.1	5809	5191	4944	4673	4060										
	---	1/2	740	0.43	13.6	6238	5690	5494	5251	4740	4092									
			767	0.50	14.3	6466	5946	5770	5551	5064	4492									
			791	0.59	15.2	6668	6170	6009	5811	5343	4830									
	---	3/4	847	0.65	17.0	7140	6685	6548	6389	5978	5537	5016								
			877	0.75	18.0	7393	6958	6829	6686	6314	5889	5432								
			906	0.83	18.4	7638	7220	7098	6966	6631	6220	5801	5007							
Level 2 Performance		Max RPM L2 = 986				Max Motor Frame Size = 145T						Outlet Area (ft²) = 3.207								
L2 Fabricated Steel	---	1/2	740	0.43	13.6	6238	5690	5494	5251	4740	4092									
			767	0.50	14.3	6466	5946	5770	5551	5064	4492									
			791	0.59	15.2	6668	6170	6009	5811	5343	4830									
	---	3/4	847	0.65	17.0	7140	6685	6548	6389	5978	5537	5016								
			877	0.75	18.0	7393	6958	6829	6686	6314	5889	5432								
			906	0.83	18.4	7638	7220	7098	6966	6631	6220	5801	5007							
	---	1	932	0.91	19.1	7857	7454	7338	7212	6907	6514	6115	5399							
			966	1.00	20	8144	7758	7648	7531	7256	6898	6512	5877							
			997	1.06	22	8405	8033	7929	7818	7566	7241	6865	6287							
	Level 3 Performance		Max RPM B105 = 1930				E4 = 1930		E8 = 1175		Z5 = 1450		Max Motor Frame Size = 145T			Outlet Area (ft²) = 3.207				
	B105 Cast Aluminum	20	1/3	1067	0.35	17.9	4727	4395	4304	4209	4008	3791	3554	3151						
				25	977	0.36	15.7	5098	4703	4592	4475	4222	3943	3614	3101					
30				910	0.36	14.3	5382	4900	4760	4611	4283	3917	3446							
20		1/2	1226	0.53	22	5431	5147	5072	4993	4829	4656	4472	4174	3599						
			25	1122	0.55	19.1	5855	5518	5427	5332	5130	4911	4676	4278	3526					
			30	1045	0.55	18	6180	5772	5659	5540	5283	5000	4696	4140						
25		3/4	1403	0.82	26	6215	5970	5906	5840	5704	5562	5412	5176	4744	4231	3744				
			25	1285	0.82	23	6705	6416	6339	6260	6095	5920	5734	5433	4855	4209				
			30	1197	0.82	22	7079	6729	6635	6538	6332	6110	5869	5480	4681					
20		1	1544	1.06	29	6840	6619	6561	6503	6383	6258	6128	5924	5558	5155	4680				
			25	1414	1.09	26	7378	7117	7049	6979	6834	6683	6523	6268	5801	5247	4664			
			30	1317	1.10	25	7789	7474	7390	7305	7126	6936	6733	6403	5799	5011				
E4 Cast Aluminum	16	1/3	1337	0.37	25	4927	4541	4440	4339	4129	3899	3645	3188							
			24	1111	0.37	19.3	5534	5015	4890	4764	4493	4177	3819							
			32	964	0.37	16.1	5763	5153	4993	4826	4460	4048	3568							
	16	1/2	1531	0.55	31	5642	5308	5221	5134	4957	4774	4580	4259	3600						
			24	1272	0.55	24	6336	5882	5769	5659	5439	5206	4942	4491						
			32	1103	0.55	19.7	6594	6066	5929	5790	5500	5183	4834	4262						
	16	3/4	1753	0.82	41	6460	6170	6095	6020	5868	5713	5556	5308	4843	4282	3524				
			24	1456	0.82	31	7252	6856	6757	6658	6464	6272	6074	5743	5092	4287				
			32	1263	0.82	25	7551	7093	6975	6856	6613	6361	6092	5651	4813					
	16	1	1929	1.10	50	7108	6846	6779	6711	6574	6435	6295	6079	5694	5257	4743				
			24	1602	1.10	37	7979	7619	7529	7439	7260	7085	6911	6639	6115	5500	4763			
			32	1390	1.10	29	8310	7896	7790	7683	7465	7243	7014	6646	5953	5132				
E8 Cast Aluminum	32	1/3	813	0.37	13.3	5460	5021	4899	4770	4481	4094	3581								
	32	1/2	931	0.55	16.4	6252	5877	5775	5670	5447	5199	4897	4278							
	32	3/4	1066	0.82	19.9	7159	6836	6751	6663	6479	6286	6078	5713	4831						
	32	1	1173	1.10	23	7877	7587	7511	7433	7272	7103	6927	6641	6033	5162					
Z5 Fabricated Steel	30	1/3	1003	0.37	17	5152	4740	4643	4550	4366	4154	3878	3221							
			45	766	0.37	14	5710	5093	4935	4759	4185	4154	3878	3221						
	30	1/2	1148	0.55	22	5897	5535	5447	5360	5196	5036	4864	4534							
			45	877	0.55	17	6538	6000	5864	5728	5426	4952	4245							
	30	3/4	1314	0.82	27	6750	6432	6354	6277	6124	5981	5842	5624	5150	4390					
			45	1004	0.82	22	7485	7019	6898	6778	6541	6283	5940	5112						
	30	1	1447	1.10	31	7433	7143	7072	7002	6861	6724	6595	6405	6059	5592	4896				
			45	1105	1.10	26	8238	7816	7708	7598	7381	7164	6929	6443	6059	5592	4896			

NOTES:

1. Performance certified is for installation type A: Free inlet, free outlet.
2. Power rating (BHP) does not include transmission losses.
3. Performance ratings do not include the effects of appurtenances (accessories) in the airstream.
4. The sound ratings shown are loudness values in fan sones at 5 ft. (1.5m) in a hemispherical free field calculated per AMCA Standard 301. Values are for installation Type A: Free inlet hemispherical sone levels.

30 LHB

MODEL INFO		MOTOR HP	FAN RPM	MAX BHP	SONES @ 0" SP	CFM/STATIC PRESSURE (IN. W.G.)													
PROPELLER	BLADE ANGLE					0.000	0.100	0.125	0.150	0.200	0.250	0.300	0.375	0.500	0.625	0.750	1.000		
Level 1 Performance			Max RPM L1 = 696				Max Motor Frame Size = 145T						Outlet Area (ft ²) = 5.032						
L1 Fabricated Steel	---	1/4	405	0.22	7.4	6604	4806												
			420	0.25	7.9	6849	5179												
			433	0.28	8.4	7061	5482	4848											
	---	1/3	444	0.30	8.4	7240	5729	5139											
			460	0.33	8.9	7501	6080	5557											
			475	0.37	9.4	7746	6402	5919	5329										
	---	1/2	513	0.43	10.8	8365	7210	6769	6310										
			529	0.50	11.4	8626	7541	7113	6684										
			546	0.55	12.2	8904	7883	7477	7066	6087									
	---	3/4	584	0.65	13.4	9523	8620	8278	7889	7082									
605			0.75	14.3	9866	9013	8705	8338	7584	6653									
625			0.83	15.3	10192	9380	9101	8761	8038	7192									
---	1	643	0.91	16.0	10485	9706	9448	9135	8434	7668									
		666	1.00	17.0	10860	10117	9883	9601	8931	8235	7380								
		687	1.20	18.1	11203	10490	10272	10015	9380	8721	7940								
Level 2 Performance			Max RPM L2 = 950				Max Motor Frame Size = 184T						Outlet Area (ft ²) = 5.032						
L2 Fabricated Steel	---	3/4	584	0.65	13.4	9523	8620	8278	7889	7082									
			605	0.75	14.3	9866	9013	8705	8338	7584	6653								
			625	0.83	15.3	10192	9380	9101	8761	8038	7192								
	---	1	643	0.91	16.0	10485	9706	9448	9135	8434	7668								
			666	1.00	17.0	10860	10117	9883	9601	8931	8235	7380							
			687	1.20	18.1	11203	10490	10272	10015	9380	8721	7940							
	---	1 1/2	736	1.30	21	12002	11349	11158	10946	10415	9800	9172	8002						
			762	1.50	21	12426	11800	11620	11425	10945	10357	9766	8717						
			787	1.65	22	12833	12232	12061	11878	11442	10891	10319	9378						
	---	2	810	1.83	24	13209	12628	12464	12290	11887	11376	10816	9950						
839			2.00	25	13681	13124	12969	12805	12437	11975	11437	10627							
866			2.20	26	14122	13585	13436	13280	12938	12518	12013	11232	9697						
Level 3 Performance			Max RPM B105 = 1565 E4 = 1565 E8 = 975 Z5 = 1295				Max Motor Frame Size = 184T						Outlet Area (ft ²) = 5.032						
B105 Cast Aluminum	20	1/2	964	0.55	22	8186	7569	7403	7230	6869	6487	6081	5352						
			871	0.55	18.2	8686	7967	7769	7561	7121	6650	6114	4949						
			799	0.55	16.5	8986	8148	7909	7655	7109	6530	5418							
	20	3/4	1104	0.83	25	9375	8844	8704	8560	8260	7946	7618	7100	6054					
			997	0.82	22	9943	9326	9161	8990	8630	8247	7842	7188	5516					
			914	0.82	21	10280	9564	9367	9163	8723	8248	7752	6634						
	20	1	1215	1.10	28	10318	9839	9714	9586	9322	9047	8761	8312	7499	6495				
			1098	1.10	26	10950	10396	10249	10098	9785	9454	9105	8553	7461					
			1006	1.10	23	11314	10672	10499	10321	9944	9536	9103	8428						
	20	1 1/2	1390	1.65	34	11804	11389	11282	11173	10950	10720	10483	10113	9460	8761	7933			
			1257	1.65	30	12536	12057	11932	11805	11543	11270	10985	10536	9735	8822	7523			
			1152	1.65	28	12957	12403	12257	12108	11798	11470	11122	10566	9584	7781				
	20	2	1530	2.20	39	12993	12618	12521	12424	12225	12021	11812	11488	10920	10319	9682	8117		
			1383	2.20	35	13793	13360	13248	13134	12901	12661	12413	12023	11331	10591	9759			
			1268	2.20	32	14261	13762	13632	13499	13226	12941	12643	12167	11309	10401	8701			
	30	3	1451	3.30	39	16319	15887	15775	15662	15430	15192	14947	14562	13872	13125	12345	9643		
E4 Cast Aluminum	16	1/2	983	0.55	22	7204	6667	6524	6378	6070	5736	5368	4671						
			827	0.55	16.8	8070	7373	7192	7008	6611	6145	5578							
			717	0.55	14.1	8549	7677	7424	7156	6588	5869	4853							
	16	3/4	1125	0.82	27	8245	7781	7660	7536	7280	7013	6729	6264	5260					
			946	0.83	21	9231	8627	8470	8313	7992	7649	7261	6571						
			820	0.83	17.1	9777	9035	8829	8612	8148	7654	7097	5877						
	16	1	1238	1.10	31	9073	8655	8546	8435	8209	7975	7731	7342	6606	5609				
			1041	1.10	25	10158	9612	9471	9329	9042	8748	8435	7901	6757					
			903	1.10	20	10767	10102	9922	9735	9335	8907	8459	7683						
	16	1 1/2	1417	1.65	40	10385	10022	9929	9834	9642	9444	9241	8927	8362	7729	6952			
			1192	1.65	32	11632	11158	11036	10914	10665	10415	10161	9762	8991	8025				
			1034	1.65	25	12328	11756	11605	11450	11124	10778	10410	9832	8705	6977				
	16	2	1560	2.19	48	11433	11105	11021	10936	10764	10588	10408	10131	9648	9123	8546			
			1312	2.20	39	12803	12373	12264	12154	11930	11704	11477	11130	10507	9775	8891			
			1138	2.20	30	13568	13053	12918	12780	12496	12196	11880	11378	10485	9370	7798			
	24	3	1502	3.30	51	14657	14283	14188	14093	13900	13706	13509	13211	12707	12168	11561	10057		
			1391	3.30	45	15134	14728	14625	14520	14307	14089	13866	13521	12915	12265	11572	9611		
			1302	3.30	42	15524	15077	14961	14844	14604	14356	14099	13691	12962	12188	11319	8625		

NOTES:

1. Performance certified is for installation type A: Free inlet, free outlet.
2. Power rating (BHP) does not include transmission losses.
3. Performance ratings do not include the effects of appurtenances (accessories) in the airstream.
4. The sound ratings shown are loudness values in fan sones at 5 ft. (1.5m) in a hemispherical free field calculated per AMCA Standard 301. Values are for installation Type A: Free inlet hemispherical sone levels.

Belt Driven, LHB

30 LHB (cont.)

MODEL INFO		MOTOR HP	FAN RPM	MAX BHP	SONES @ 0" SP	CFM/STATIC PRESSURE (IN. W.G.)										
PROPELLER	BLADE ANGLE					0.000	0.100	0.125	0.150	0.200	0.250	0.300	0.375	0.500	0.625	0.750
Level 3 Performance		Max RPM	E4 = 1565	E8 = 975	Z5 = 1295	Max Motor Frame Size = 184T					Outlet Area (ft ²) = 5.032					
E8 Cast Aluminum	32	1/2	615	0.55	14.7	7991	7451	7284	7086	6560	5875	5267				
	32	3/4	704	0.82	18.5	9147	8693	8562	8421	8085	7631	7087	6204			
	32	1	775	1.10	21	10070	9665	9552	9433	9171	8845	8428	7667	6416		
	32	1 1/2	887	1.64	26	11525	11179	11085	10988	10781	10554	10292	9786	8682	7588	
	32	2	976	2.19	29	12682	12370	12287	12202	12023	11832	11625	11261	10437	9367	8397
Z5 Fabricated Steel	35	1/2	814	0.55	17.5	8360	7711	7526	7327	6889	6406	5829				
	45	1/2	683	0.55	14.2	8907	7922	7661	7377	6730						
	35	3/4	932	0.82	22	9571	9018	8866	8708	8365	7985	7577	6875			
	45	3/4	782	0.82	17.9	10198	9343	9124	8900	8411	7862					
	35	1	1026	1.10	26	10537	10040	9907	9769	9477	9158	8812	8253	7098		
	45	1	860	1.10	21	11215	10440	10242	10043	9631	9173	8672				
	35	1 1/2	1175	1.63	32	12067	11639	11526	11411	11172	10919	10647	10206	9395	8416	
	45	1 1/2	985	1.64	26	12845	12173	12001	11828	11481	11123	10738	10103			
	35	2	1293	2.18	37	13279	12893	12792	12689	12478	12259	12028	11656	10970	10214	9316
	45	2	1084	2.19	30	14137	13528	13373	13216	12901	12585	12259	11729	10718		
	45	3	1241	3.30	37	16184	15655	15520	15385	15111	14836	14561	14140	13372	12512	

NOTES:

1. Performance certified is for installation type A: Free inlet, free outlet.
2. Power rating (BHP) does not include transmission losses.
3. Performance ratings do not include the effects of appurtenances (accessories) in the airstream.
4. The sound ratings shown are loudness values in fan sones at 5 ft. (1.5m) in a hemispherical free field calculated per AMCA Standard 301. Values are for installation Type A: Free inlet hemispherical sone levels.



36 LHB

MODEL INFO		MOTOR HP	FAN RPM	MAX BHP	SONES @ 0" SP	CFM/STATIC PRESSURE (IN. W.G.)														
PROPELLER	BLADE ANGLE					0.000	0.100	0.125	0.150	0.200	0.250	0.300	0.375	0.500	0.625	0.750	1.000			
Level 1 Performance		Max RPM L1 = 533				Max Motor Frame Size = 145T						Outlet Area (ft²) = 7.217								
L1 Fabricated Steel	---	1/3	332 344 355	0.30 0.33 0.36	8.5 9.1 9.2	9071 9398 9699	6374 6963 7420	5038 5898												
	---	1/2	381 395 407	0.45 0.50 0.55	10.2 10.9 11.7	10409 10792 11120	8414 8932 9380	5856 8219 8691	5856 6942 7829											
	---	3/4	436 452 466	0.68 0.75 0.83	13.2 13.9 14.8	11912 12349 12732	10443 10996 11462	9778 10374 10897	9136 9756 10282	6444 7680 8794										
	---	1	480 497 513	0.90 1.00 1.10	15.4 16.3 17.0	13114 13579 14016	11914 12449 12942	11409 12008 12553	10799 11434 12030	9555 10290 10924	6585 7960 9224									
Level 2 Performance		Max RPM L2 = 671				Max Motor Frame Size = 184T						Outlet Area (ft²) = 7.217								
L2 Fabricated Steel	---	1	480 497 513	0.90 1.00 1.10	15.4 16.3 17.0	13114 13579 14016	11914 12449 12942	11409 12008 12551	10799 11434 12030	9555 10290 10924	6585 7960 9224									
	---	1 1/2	549 569 587	1.35 1.50 1.65	19.1 20 21	14999 15518 16038	14025 14588 15147	13711 14299 14877	13311 13949 14564	12276 12982 13692	9065 10581 11661	7990								
	---	2	605 626 646	1.80 2.00 2.20	22 23 25	16529 17103 17649	15673 16283 16861	15417 16042 16633	15132 15780 16386	14353 15097 15781	13400 14176 14925	12450 13290 14053	9463 11101 12518							
Level 3 Performance		Max RPM B206 = 1395				E4 = 1395	E8 = 915	Z5 = 1095	Max Motor Frame Size = 184T				Outlet Area (ft²) = 7.217							
B206 Cast Aluminum	20	3/4	844	0.82	27	11429	10681	10474	10256	9784	9264	8707	7728							
	25		761	0.83	23	12229	11328	11075	10806	10219	9573	8882	7197							
	30		692	0.83	22	12737	11615	11295	10953	10209	9424	7737								
	20	1	929	1.10	31	12581	11910	11728	11540	11138	10700	10225	9464	7870						
	25		837	1.10	27	13451	12644	12423	12192	11696	11148	10559	9591							
	30		761	1.10	25	14007	13005	12727	12435	11802	11112	10398	8097							
	20	1 1/2	1064	1.65	39	14409	13832	13679	13522	13195	12846	12474	11868	10763	9403					
	25		958	1.65	33	15395	14702	14517	14326	13926	13495	13030	12275	10852						
	30		872	1.66	31	16050	15192	14961	14722	14217	13669	13079	12148	9006						
	20	2	1171	2.20	46	15858	15338	15202	15063	14775	14474	14157	13646	12706	11675	10425				
	25		1055	2.20	39	16954	16330	16166	15998	15648	15279	14887	14251	13084	11689					
	30		959	2.20	36	17651	16879	16674	16464	16025	15557	15057	14250	12816						
20	3	1340	3.30	57	18146	17696	17579	17461	17219	16968	16709	16301	15560	14743	13868	11758				
25		1207	3.30	50	19396	18857	18717	18574	18281	17976	17659	17156	16233	15217	14133					
30		1098	3.30	45	20210	19543	19368	19191	18825	18443	18043	17403	16233	14998	12415					
20	5	1302	5.51	60	23965	23407	23264	23119	22822	22517	22204	21714	20838	19881	18860	16228				
28		3/4	878	0.82	25	11120	10216	9990	9763	9297	8783	8211	7230							
32			738	0.83	23	12487	11419	11108	10777	10096	9412	8601	6850							
32	687		0.82	22	12728	11527	11196	10847	10074	9167	8073									
20	1	966	1.10	29	12234	11415	11207	11002	10589	10159	9689	8904								
28		812	1.10	25	13740	12786	12521	12237	11629	11013	10390	9259								
32		756	1.10	25	14006	12930	12639	12337	11692	10966	10137	8611								
20	1 1/2	1106	1.65	37	14007	13294	13113	12932	12572	12212	11844	11248	10112							
28		930	1.65	29	15736	14918	14699	14472	13982	13453	12911	12106	10477							
32		865	1.65	29	16026	15099	14853	14601	14077	13517	12907	11868	9654							
20	2	1217	2.20	43	15413	14765	14602	14438	14109	13782	13456	12952	12018	10949						
28		1023	2.20	32	17310	16574	16379	16179	15760	15306	14823	14086	12839	11229						
32		952	2.20	32	17638	16802	16583	16359	15899	15416	14906	14069	12416	10176						
20	3	1393	3.29	57	17642	17077	16935	16792	16506	16219	15932	15505	14772	13964	13067					
28		1172	3.30	40	19831	19195	19029	18861	18513	18150	17763	17142	16071	14996	13736					
32		1090	3.30	37	20194	19471	19284	19094	18704	18303	17888	17233	16020	14598	12889					
28	5	1389	5.47	54	23503	22971	22835	22696	22414	22124	21827	21358	20507	19603	18706	16777				
32		1292	5.47	49	23937	23332	23176	23020	22701	22376	22043	21530	20630	19651	18560	15949				
E8 Cast Aluminum	32	3/4	575	0.83	18.4	11853	10956	10706	10442	9859	9147	8232								
	32	1	633	1.10	22	13049	12246	12027	11800	11312	10765	10113	8835							
	32	1 1/2	724	1.65	28	14925	14235	14051	13861	13465	13042	12582	11782	9932						
	32	2	797	2.20	32	16430	15808	15645	15477	15130	14766	14380	13749	12443	10596					
	32	3	913	3.30	38	18821	18284	18144	18002	17711	17410	17096	16602	15688	14578	13154				

NOTES:

1. Performance certified is for installation type A: Free inlet, free outlet.
2. Power rating (BHP) does not include transmission losses.
3. Performance ratings do not include the effects of appurtenances (accessories) in the airstream.
4. The sound ratings shown are loudness values in fan sones at 5 ft. (1.5m) in a hemispherical free field calculated per AMCA Standard 301. Values are for installation Type A: Free inlet hemispherical sone levels.

Belt Driven, LHB

36 LHB (cont.)

MODEL INFO		MOTOR HP	FAN RPM	MAX BHP	SONES @ 0" SP	CFM/STATIC PRESSURE (IN. W.G.)												
PROPELLER	BLADE ANGLE					0.000	0.100	0.125	0.150	0.200	0.250	0.300	0.375	0.500	0.625	0.750	1.000	
Level 3 Performance			Max RPM E4 = 1395 E8 = 915 Z5 = 1095			Max Motor Frame Size = 184T						Outlet Area (ft ²) = 7.217						
Z5 Fabricated Steel	35	3/4	688	0.82	18.8	12186	11266	11005	10725	10111	9436	8643						
	45		576	0.82	15.1	12937	11543	11175	10776	9873								
	35	1	758	1.09	22	13426	12605	12379	12142	11625	11055	10441	9345					
	45		634	1.10	17.9	14240	12978	12655	12320	11579	10712							
	35	1 1/2	867	1.64	27	15357	14651	14462	14268	13856	13406	12921	12137	10550				
	45		726	1.65	22	16306	15210	14930	14649	14068	13425	12725						
	35	2	954	2.19	32	16898	16262	16095	15923	15566	15185	14775	14109	12881	11331			
	45		799	2.19	26	17946	16954	16699	16446	15933	15397	14809	13841					
	35	3	1093	3.26	40	19360	18811	18668	18523	18224	17914	17588	17065	16102	15045	13811		
	45		915	3.30	32	20551	19690	19470	19248	18804	18357	17898	17155	15745				
45	5	1085	5.49	43	24370	23647	23463	23279	22906	22531	22157	21589	20582	19454	18098			

42 LHB

MODEL INFO		MOTOR HP	FAN RPM	MAX BHP	SONES @ 0" SP	CFM/STATIC PRESSURE (IN. W.G.)											
PROPELLER	BLADE ANGLE					0.000	0.100	0.125	0.150	0.200	0.250	0.300	0.375	0.500	0.625	0.750	1.000
Level 1 Performance			Max RPM L1 = 411			Max Motor Frame Size = 145T						Outlet Area (ft ²) = 9.794					
L1 Fabricated Steel	---	1/3	257	0.30	7.0	10934											
			266	0.33	7.4	11317	6009										
			275	0.36	7.8	11700	7010										
		1/2	295	0.45	8.8	12551	9050	6438									
			305	0.50	9.2	12977	9756	7573									
			315	0.55	9.8	13402	10377	8627									
		3/4	337	0.68	10.9	14338	11640	10642	8607								
			349	0.75	11.6	14849	12302	11410	9896								
			361	0.83	12.4	15359	12957	12120	11061								
		1	371	0.90	13.2	15785	13506	12690	11781	7888							
	385		1.00	13.9	16380	14272	13469	12661	9492								
	397		1.10	14.1	16891	14921	14126	13366	10756								
Level 2 Performance			Max RPM L2 = 703			Max Motor Frame Size = 184T						Outlet Area (ft ²) = 9.794					
L2 Fabricated Steel	---	1	371	0.90	13.2	15785	13506	12690	11781	7888							
			385	1.00	13.9	16380	14272	13469	12661	9492							
			397	1.10	14.1	16891	14919	14126	13366	10756							
		1 1/2	425	1.35	15.9	18082	16371	15660	14934	13374	10005						
			440	1.50	17.0	18720	17119	16473	15753	14343	11627						
			454	1.65	18.0	19316	17802	17216	16520	15178	13157	9615					
		2	468	1.80	19.0	19912	18472	17940	17288	15980	14433	11234					
			484	2.00	19.8	20592	19227	18747	18153	16872	15539	12942					
			500	2.20	21	21273	19971	19535	18998	17750	16523	14692					
		3	535	2.70	24	22762	21574	21209	20775	19667	18524	17326	13836				
			555	3.00	25	23613	22479	22143	21753	20753	19626	18529	16002				
			572	3.30	26	24336	23245	22927	22568	21657	20553	19504	17584				
		5	635	4.50	30	27017	26056	25786	25500	24834	23975	22976	21551	17818			
			657	5.00	32	27953	27029	26773	26502	25893	25122	24184	22785	20023	14083		
			679	5.50	33	28889	28000	27755	27498	26937	26241	25381	23996	21619	16603		

NOTES:

- Performance certified is for installation type A: Free inlet, free outlet.
- Power rating (BHP) does not include transmission losses.
- Performance ratings do not include the effects of appurtenances (accessories) in the airstream.
- The sound ratings shown are loudness values in fan sones at 5 ft. (1.5m) in a hemispherical free field calculated per AMCA Standard 301. Values are for installation Type A: Free inlet hemispherical sone levels.

42 LHB (cont.)

MODEL INFO		MOTOR HP	FAN RPM	MAX BHP	SONES @ 0" SP	CFM/STATIC PRESSURE (IN. W.G.)														
PROPELLER	BLADE ANGLE					0.000	0.100	0.125	0.150	0.200	0.250	0.300	0.375	0.500	0.625	0.750	1.000			
Level 3 Performance			Max RPM	B304 = 965	E4 = 965	E8 = 660	Z5 = 870	Max Motor				Frame Size = 215T		Outlet Area (ft²) = 9.794						
B304 Cast Aluminum	20	1	736	1.10	26	16573	15214	14824	14416	13569	12711	11821	10420							
	25		666	1.10	23	17071	15448	14974	14483	13485	12429	11275								
	30		610	1.10	22	17187	15246	14682	14105	12888	11305									
	E4 Cast Aluminum	20	1 1/2	842	1.65	32	18959	17806	17483	17147	16439	15699	14953	13798	11750					
		25		763	1.65	29	19557	18189	17798	17390	16538	15667	14776	13310						
		30		698	1.65	27	19667	18031	17560	17072	16067	15027	13736	11269						
		E8 Cast Aluminum	20	2	927	2.20	38	20873	19842	19560	19266	18649	17998	17325	16308	14549	12600			
			25		839	2.20	34	21505	20287	19944	19587	18839	18056	17263	16037	13727				
			30		768	2.20	32	21639	20186	19773	19344	18451	17533	16589	14805					
			Z5 Fabricated Steel	25	3	961	3.31	43	24632	23593	23309	23013	22395	21744	21068	20031	18248	16263	13580	
				30		880	3.30	39	24795	23564	23219	22862	22119	21341	20543	19332	16786			
				32		670	1.10	20	14894	13631	13329	13026	12383	11668	10847					
B304 Cast Aluminum				28	1	569	1.09	15.8	16168	14682	14270	13840	12939	11927	10527					
				32		532	1.09	15.2	16524	14844	14364	13860	12777	11397	9587					
				20		767	1.65	25	17050	15938	15669	15404	14876	14319	13712	12698				
	E4 Cast Aluminum			28	1 1/2	652	1.65	20	18527	17256	16912	16557	15812	15029	14195	12581				
				32		609	1.65	19.1	18915	17486	17090	16678	15805	14869	13788	11606				
				20		845	2.19	29	18784	17772	17523	17279	16800	16318	15812	14981	13327			
		E8 Cast Aluminum		28	2	717	2.20	23	20374	19230	18926	18613	17961	17275	16561	15411	12663			
				32		670	2.19	23	20810	19529	19181	18821	18062	17258	16404	14895				
				20		967	3.28	35	21496	20610	20391	20172	19743	19324	18906	18257	17054	15654	13699	
			Z5 Fabricated Steel	28	3	821	3.29	29	23329	22341	22083	21820	21276	20709	20118	19194	17524	15179		
				32		767	3.30	28	23822	22719	22428	22128	21502	20842	20150	19058	16870	13769		
				32		909	5.51	35	28233	27314	27075	26833	26334	25814	25274	24426	22923	21249	19072	
B304 Cast Aluminum				32	1	455	1.09	13.3	15633	14513	14161	13752	12783	11550	10391					
				32		521	1.65	17.4	17900	16958	16687	16393	15696	14856	13858	12258				
				32		573	2.20	21	19687	18846	18611	18365	17812	17147	16377	14991	12616			
	Z5 Fabricated Steel			32	3	656	3.30	26	22539	21818	21624	21422	20995	20519	19969	19001	17008	14958		
				30		604	1.07	19.7	15238	14125	13843	13561	12976	12319	11570	10022				
				45		467	1.10	18.6	16945	15104	14567	13943	13219							
		E4 Cast Aluminum		30	1 1/2	691	1.61	24	17432	16464	16217	15971	15478	14969	14419	13481	11247			
				45		534	1.65	23	19377	17799	17372	16918	15850	14456						
				30		761	2.10	28	19198	18322	18099	17874	17427	16979	16516	15760	14261	11974		
			E8 Cast Aluminum	45	2	588	2.20	26	21336	19917	19542	19154	18308	17284	16006					
				30		871	3.20	33	21973	21210	21017	20823	20431	20040	19650	19052	17956	16672	14981	
				45		673	3.30	31	24420	23194	22874	22549	21874	21143	20306	18753				
Z5 Fabricated Steel				40	5	848	5.40	40	28511	27603	27372	27139	26674	26212	25745	25016	23599	21727	19320	
				45		798	5.49	40	28956	27933	27668	27401	26857	26298	25713	24756	22758	20077		

NOTES:

1. Performance certified is for installation type A: Free inlet, free outlet.
2. Power rating (BHP) does not include transmission losses.
3. Performance ratings do not include the effects of appurtenances (accessories) in the airstream.
4. The sound ratings shown are loudness values in fan sones at 5 ft. (1.5m) in a hemispherical free field calculated per AMCA Standard 301. Values are for installation Type A: Free inlet hemispherical sone levels.



Belt Driven, LHB

48 LHB

MODEL INFO		MOTOR HP	FAN RPM	MAX BHP	SONES @ 0" SP	CFM/STATIC PRESSURE (IN. W.G.)														
PROPELLER	BLADE ANGLE					0.000	0.100	0.125	0.150	0.200	0.250	0.300	0.375	0.500	0.625	0.750	1.000			
Level 1 Performance		Max RPM L1 = 330				Max Motor Frame Size = 145T							Outlet Area (ft²) = 12.764							
L1 Fabricated Steel	---	1/2	236	0.45	7.7	14852	8170													
			245	0.50	8.2	15419	9552													
			252	0.55	8.6	15859	10606													
	---	3/4	270	0.68	9.4	16992	12808	10098												
			280	0.75	10.0	17621	13715	11581												
			289	0.83	10.7	18188	14482	12921	10000											
	---	1	297	0.90	11.1	18691	15142	13839	11247											
			308	1.00	11.8	19383	16030	14887	12889											
			318	1.10	12.4	20013	16824	15761	14334											
Level 2 Performance		Max RPM L2 = 564				Max Motor Frame Size = 184T							Outlet Area (ft²) = 12.764							
L2 Fabricated Steel	---	1	297	0.90	11.1	18691	15142	13839	11247											
			308	1.00	11.8	19383	16030	14887	12889											
			318	1.10	12.4	20013	16824	15761	14334											
	---	1 1/2	340	1.35	14.1	21397	18563	17573	16540	12539										
			352	1.50	15.0	22153	19508	18530	17574	14312										
			364	1.65	15.9	22908	20438	19477	18566	16137	11401									
	---	2	375	1.80	16.9	23600	21274	20347	19455	17435	13214									
			388	2.00	17.0	24418	22241	21375	20489	18686	15193									
			400	2.20	18.1	25173	23116	22313	21435	19744	17015	12704								
	---	3	429	2.70	20	26998	25172	24512	23727	22142	20449	17214								
			444	3.00	22	27942	26212	25612	24892	23340	21797	19513	13652							
			458	3.30	23	28824	27170	26618	25958	24445	22986	21219	15980							
	---	5	508	4.50	27	31970	30530	30100	29606	28381	27010	25701	23279							
			526	5.00	28	33103	31724	31323	30870	29759	28432	27165	25099	17993						
			543	5.50	30	34173	32846	32467	32048	31035	29778	28523	26828	20646						
Level 3 Performance		Max RPM B304 = 1025 E4 = 1025 E8 = 670 Z5 = 805				Max Motor Frame Size = 215T							Outlet Area (ft²) = 12.764							
B304 Cast Aluminum	20	1 1/2	738	1.64	31	23327	21731	21295	20840	19858	18797	17715	16063							
			25	662	1.65	28	23978	22066	21536	20976	19766	18488	17164	14868						
			30	598	1.65	25	23942	21627	20972	20280	18803	17186	14609							
	20	2	812	2.19	36	25667	24233	23848	23451	22612	21701	20734	19259	16774						
			25	729	2.21	33	26404	24693	24229	23746	22714	21596	20433	18609	14640					
			30	658	2.20	30	26344	24275	23706	23109	21834	20471	19004	15460						
	20	3	929	3.30	46	29365	28128	27802	27469	26779	26050	25271	24024	21874	19697	17300				
			25	834	3.30	41	30207	28734	28343	27942	27103	26206	25248	23736	21078	17843				
			30	754	3.31	37	30188	28414	27939	27449	26416	25310	24140	22301	17344					
	25	5	989	5.51	54	35822	34596	34277	33952	33284	32590	31864	30705	28617	26459	24070				
			30	893	5.50	50	35753	34279	33892	33498	32683	31829	30930	29502	26966	23495				
			30	1023	8.27	63	40958	39682	39352	39017	38331	37622	36887	35732	33662	31454	28957			
E4 Cast Aluminum	20	1 1/2	686	1.65	27	20156	18671	18301	17928	17157	16312	15387	13832							
			28	579	1.65	23	22606	20793	20273	19733	18647	17547	16289	13812						
			32	536	1.65	20	22821	20814	20263	19684	18413	16959	15267							
	20	2	755	2.19	31	22183	20835	20497	20160	19480	18769	17998	16729							
			28	637	2.20	27	24871	23255	22802	22329	21343	20360	19359	17610						
			32	590	2.20	25	25120	23319	22835	22334	21265	20077	18749	16407						
	20	3	864	3.29	38	25386	24211	23914	23618	23029	22436	21826	20844	19005	16872					
			28	729	3.30	35	28463	27078	26705	26316	25494	24633	23770	22475	19945	16312				
			32	676	3.29	33	28782	27231	26822	26404	25534	24608	23607	21935	18557					
	20	5	1025	5.49	51	30116	29128	28879	28630	28129	27632	27136	26382	25046	23560	21919				
			28	865	5.50	42	33773	32623	32322	32015	31374	30695	29985	28892	27081	25136	22697			
			32	801	5.51	42	34104	32811	32475	32135	31438	30715	29963	28764	26513	23890	20564			
28	7 1/2	990	8.25	50	38653	37657	37399	37138	36604	36046	35462	34544	32955	31375	29745	25637				
		32	917	8.27	50	39043	37921	37633	37341	36748	36140	35516	34545	32805	30860	28680	22984			
E8 Cast Aluminum	32	1 1/2	448	1.63	18.8	21421	19893	19470	19026	18051	16883	15445								
			2	493	2.20	22	23573	22203	21832	21447	20627	19713	18644	16646						
			3	565	3.29	28	27015	25839	25526	25206	24538	23828	23060	21745	18873					
32	5	670	5.51	39	32036	31057	30802	30543	30009	29456	28879	27961	26221	24032	21212					
Z5 Fabricated Steel	35	1 1/2	538	1.65	19.8	22079	20513	20069	19599	18589	17495	16244								
			45	448	1.64	15.9	22979	20708	20086	19417	17909									
			35	593	2.17	23	24336	22938	22555	22151	21287	20355	19361	17637						
	35	2	493	2.20	18.3	25287	23239	22702	22136	20908	19432									
			45	678	3.27	29	27824	26621	26301	25970	25270	24517	23717	22444	19943					
			45	565	3.31	23	28981	27202	26749	26287	25307	24240	23079							
	35	5	804	5.46	38	32995	31995	31734	31468	30920	30343	29734	28763	27018	25069	22699				
			45	670	5.49	29	34366	32870	32494	32115	31344	30540	29678	28308						
			45	767	8.24	37	39342	38037	37708	37380	36719	36047	35356	34257	32264	29708				

NOTES:

1. Performance certified is for installation type A: Free inlet, free outlet.
2. Power rating (BHP) does not include transmission losses.
3. Performance ratings do not include the effects of appurtenances (accessories) in the airstream.
4. The sound ratings shown are loudness values in fan sones at 5 ft. (1.5m) in a hemispherical free field calculated per AMCA Standard 301. Values are for installation Type A: Free inlet hemispherical sone levels.

54 LHB

MODEL INFO		MOTOR HP	FAN RPM	MAX BHP	SONES @ 0' SP	CFM/STATIC PRESSURE (IN. W.G.)													
PROPELLER	BLADE ANGLE					0.000	0.100	0.125	0.150	0.200	0.250	0.300	0.375	0.500	0.625	0.750	1.000		
Level 1 Performance		Max RPM L1 = 312			Max Motor Frame Size = 145T							Outlet Area (ft²) = 16.126							
L1 Fabricated Steel	---	3/4	222	0.68	8.4	19759	12694												
			230	0.75	9.0	20471	14361	10300											
			237	0.83	9.5	21094	15553	11880											
	---	1	244	0.90	10.0	21717	16526	13357											
			253	1.00	10.7	22518	17656	15202	11527										
			261	1.10	11.1	23230	18605	16755	13313										
	---	1 1/2	280	1.35	12.5	24921	20760	19390	17252										
			290	1.50	13.3	25811	21865	20590	19009	12810									
			299	1.65	14.1	26612	22853	21630	20262	14855									
Level 2 Performance		Max RPM L2 = 467			Max Motor Frame Size = 184T							Outlet Area (ft²) = 16.126							
L2 Fabricated Steel	---	1 1/2	280	1.35	12.5	24921	20760	19390	17252										
			290	1.50	13.3	25811	21865	20590	19009	12810									
			299	1.65	14.1	26612	22853	21630	20262	14855									
	---	2	308	1.80	14.5	27413	23844	22647	21397	16765									
			319	2.00	15.4	28392	25051	23870	22709	19009									
			329	2.20	16.1	29282	26135	24970	23861	20997	15428								
	---	3	352	2.70	18.0	31329	28565	27498	26430	24257	20270								
			365	3.00	19.1	32486	29899	28914	27858	25829	22962	17930							
			377	3.30	20	33554	31109	30200	29179	27222	24927	20488							
	---	5	418	4.50	24	37203	35126	34431	33614	31786	30033	28008	22183						
			433	5.00	26	38538	36563	35925	35181	33437	31739	29943	25217						
			447	5.50	27	39784	37898	37306	36622	34981	33300	31631	28116						
Level 3 Performance		Max RPM B406 = 985 C3 = 985 C6 = 795 Z5 = 665			Max Motor Frame Size = 254T							Outlet Area (ft²) = 16.126							
B406 Cast Aluminum	20	1 1/2	556	1.65	30	26343	24259	23696	23111	21878	20597	19332	17068						
			25	502	1.65	28	27738	25315	24636	23918	22379	20748	18824						
			30	455	1.66	26	28221	25374	24518	23586	21457	18368							
	20	2	612	2.20	34	28996	27122	26624	26113	25039	23904	22739	21010	17279					
			25	553	2.21	32	30555	28391	27799	27181	25861	24440	22958	20296					
			30	501	2.21	30	31074	28555	27827	27047	25312	23281	20423						
	20	3	700	3.29	42	33165	31546	31122	30690	29799	28864	27885	26365	23831	20627				
			25	632	3.30	38	34921	33057	32560	32048	30974	29823	28602	26680	22825				
			30	573	3.31	36	35540	33395	32801	32177	30826	29323	27645	24301					
	20	5	830	5.50	55	39325	37973	37624	37271	36550	35808	35042	33841	31730	29590	27341			
			25	750	5.50	50	41440	39894	39489	39077	38228	37341	36410	34928	32276	29369	25611		
			30	679	5.50	48	42114	40345	39872	39384	38358	37253	36062	34094	29937				
20	7 1/2	950	8.25	69	45010	43836	43535	43232	42616	41987	41344	40353	38608	36768	34890	30980			
		25	858	8.26	64	47408	46067	45720	45369	44651	43910	43145	41945	39793	37482	35068	28757		
		30	778	8.28	60	48255	46730	46330	45921	45073	44182	43240	41723	38878	35424	30608			
25	10	944	10.96	74	52160	50947	50635	50320	49678	49021	48347	47301	45450	43458	41352	36755			
		30	856	11.02	72	53093	51717	51359	50994	50245	49467	48655	47366	45002	42332	39181			
		10	671	1.62	17.3	23944	21214	20396	19565	17828	16163	14503							
C3 Cast Aluminum	10	1 1/2	538	1.64	12.2	24891	21545	20685	19810	17752	15057								
			20	739	2.17	20	26370	23977	23255	22511	20980	19408	17898	15635					
			25	593	2.17	14.1	27436	24427	23637	22858	21237	19261	16808						
	10	3	846	3.25	25	30188	28179	27595	26976	25682	24352	22967	20966	17671					
			20	678	3.27	17.9	31369	28775	28087	27395	26028	24624	23013	20042					
			10	1003	5.44	33	35791	34146	33699	33227	32212	31131	30036	28321	25458	22689	19920		
	20	5	804	5.45	23	37198	35047	34481	33906	32741	31582	30431	28603	24748					
			25	921	8.25	29	42611	40754	40269	39777	38776	37759	36742	35237	32582	29281	25147		
			25	867	8.26	30	41780	39950	39508	39063	38135	37109	35999	34198	30858	26929			
	25	10	954	11.02	34	45972	44297	43896	43495	42680	41823	40886	39364	36567	33433	29847			
			10	540	1.63	14.7	22444	20413	19969	19495	18341	17040	15883	13841					
			20	444	1.63	11.2	24913	22355	21654	20938	19451	17822	15953						
C6 Cast Aluminum	25	1 1/2	411	1.63	10.2	24552	21937	21259	20570	19058	16857								
			10	595	2.17	17.0	24730	22834	22434	22031	21139	20041	18856	17282	13562				
			20	489	2.17	13.8	27438	25148	24527	23890	22583	21213	19728	17106					
	25	2	452	2.17	12.3	27001	24612	24028	23410	22143	20698	18647							
			10	681	3.24	21	28304	26578	26219	25868	25165	24400	23491	21947	19622	16488			
			20	560	3.27	17.0	31421	29454	28930	28393	27285	26147	24972	23083					
	25	3	518	3.27	15.7	30944	28825	28331	27830	26763	25663	24482	22128						
			10	807	5.44	29	33541	32015	31689	31378	30780	30191	29586	28566	26475	24412	22497		
			20	664	5.44	22	37257	35621	35195	34760	33865	32941	31994	30543	27971	25090			
	25	5	614	5.45	20	36679	34845	34425	34009	33171	32293	31374	29963	27072	23099				
			20	760	8.25	28	42643	41224	40859	40489	39732	38952	38151	36920	34808	32580	30156		
			25	703	8.24	26	41995	40362	39986	39618	38890	38159	37408	36215	34163	31742	28288		
25	10	836	8.65	33	46907	45623	45294	44962	44286	43593	42883	41790	39910	37975	35943	31402			

NOTES:

1. Performance certified is for installation type A: Free inlet, free outlet.
2. Power rating (BHP) does not include transmission losses.
3. Performance ratings do not include the effects of appurtenances (accessories) in the airstream.
4. The sound ratings shown are loudness values in fan sones at 5 ft. (1.5m) in a hemispherical free field calculated per AMCA Standard 301. Values are for installation Type A: Free inlet hemispherical sone levels.

Belt Driven, LHB

54 LHB (cont.)

MODEL INFO		MOTOR HP	FAN RPM	MAX BHP	SONES @ 0" SP	CFM/STATIC PRESSURE (IN. W.G.)											
PROPELLER	BLADE ANGLE					0.000	0.100	0.125	0.150	0.200	0.250	0.300	0.375	0.500	0.625	0.750	1.000
Level 3 Performance			Max RPM	C3 = 985	C6 = 795	Z5 = 665	Max Motor					Frame Size = 254T	Outlet Area (ft ²) = 16.126				
Z5 Fabricated Steel	30	1½	444	1.61	17.9	24142	22234	21770	21300	20277	19051	17539					
	45		341	1.64	15.3	26408	23305	22294	21015								
	30	2	489	2.16	21	26589	24850	24426	24004	23141	22179	21060	18946				
	45		375	2.20	17.9	29041	26282	25493	24565	22107							
	30	3	560	3.24	25	30449	28930	28550	28178	27441	26691	25890	24497	21441			
	45		429	3.30	23	33223	30847	30219	29553	27969	25855	23282					
	30	5	664	5.42	34	36104	34824	34503	34182	33547	32925	32303	31340	29499	27230	24028	
	45		509	5.50	29	39419	37429	36923	36407	35321	34093	32592	29739				
	40	7½	623	8.22	38	45123	43624	43235	42840	42033	41196	40322	38919	36194	32838	28274	
	45		582	8.27	36	45072	43336	42898	42457	41557	40613	39589	37755	33650			
	45	10	641	11.04	42	49641	48067	47670	47272	46469	45647	44788	43381	40382	36434		

NOTES:

1. Performance certified is for installation type A: Free inlet, free outlet.
2. Power rating (BHP) does not include transmission losses.
3. Performance ratings do not include the effects of appurtenances (accessories) in the airstream.
4. The sound ratings shown are loudness values in fan sones at 5 ft. (1.5m) in a hemispherical free field calculated per AMCA Standard 301. Values are for installation Type A: Free inlet hemispherical sone levels.



60 LHB

MODEL INFO		MOTOR HP	FAN RPM	MAX BHP	SONES @ 0" SP	CFM/STATIC PRESSURE (IN. W.G.)													
PROPELLER	BLADE ANGLE					0.000	0.100	0.125	0.150	0.200	0.250	0.300	0.375	0.500	0.625	0.750	1.000		
Level 1 Performance		Max RPM L1 = 300				Max Motor Frame Size = 145T													
L1 Fabricated Steel	---	3/4	186	0.68	7.9	22728	11678												
			193	0.75	8.4	23584	13810												
			199	0.83	8.9	24317	15493												
	---	1	205	0.90	9.0	25050	17226												
			212	1.00	9.5	25906	18967	14312											
			219	1.10	10.1	26761	20328	16363											
	---	1 1/2	235	1.35	11.4	28716	23017	20757	16508										
			243	1.50	12.1	29694	24278	22388	18779										
			251	1.65	12.9	30671	25513	23804	21076										
	---	2	258	1.80	13.3	31527	26579	24969	22868										
			268	2.00	14.2	32749	28089	26568	24857	18055									
			276	2.20	15.1	33726	29301	27813	26253	20411									
Level 2 Performance		Max RPM L2 = 399				Max Motor Frame Size = 215T													
L2 Fabricated Steel	---	1 1/2	235	1.35	11.4	28716	23017	20757	16508										
			243	1.50	12.1	29694	24278	22388	18779										
			251	1.65	12.9	30671	25513	23804	21076										
	---	2	258	1.80	13.3	31527	26579	24969	22868										
			268	2.00	14.2	32749	28089	26568	24857	18055									
			276	2.20	15.1	33726	29301	27813	26253	20411									
	---	3	296	2.70	17.0	36170	32301	30856	29483	25961	19066								
			306	3.00	18.0	37392	33766	32369	31031	28062	22081								
			316	3.30	18.6	38614	35204	33882	32554	29855	24867								
	---	5	350	4.50	22	42769	39916	38888	37694	35318	32806	28345							
			363	5.00	23	44357	41664	40730	39631	37305	35006	31909	23500						
			375	5.50	24	45824	43265	42407	41397	39118	36940	34412	27110						
Level 3 Performance		Max RPM C3 = 955 C6 = 850 Z5 = 685				Max Motor Frame Size = 256T													
C3 Cast Aluminum	10	2	679	2.17	21	28621	25395	24430	23563	21954	20130	18104	15515						
			20	535	2.19	17.7	30646	27014	25978	24853	22376	19551							
			25	490	2.18	15.3	29773	25193	23810										
	10	3	777	3.27	26	32752	30094	29264	28408	26861	25459	23980	21300	17404					
			20	612	3.27	22	35056	31954	31106	30219	28277	26121	23802						
			25	561	3.27	29	34087	30200	29116	27961									
	10	5	921	5.43	34	38822	36684	36076	35412	33981	32608	31385	29608	26055	22898				
			20	725	5.46	28	41529	38960	38280	37581	36119	34540	32815	30028	24128				
			25	665	5.45	24	40406	37190	36350	35456	33578	31368							
	10	7 1/2	1055	6.07	41	44471	42638	42147	41631	40488	39240	38000	36340	33747	30694	27580			
			20	830	8.17	35	47544	45323	44744	44155	42940	41668	40326	38132	34091	29212			
			25	761	8.18	30	46239	43429	42728	42007	40461	38832	37036						
20	10	914	10.92	41	52355	50351	49832	49306	48230	47117	45960	44123	40704	36964	32535				
		25	838	11.00	35	50918	48358	47729	47092	45766	44339	42858	40380						
C6 Cast Aluminum	10	2	547	2.18	21	27537	25051	24414	23774	22518	21305	19971	17439						
			20	438	2.18	16.7	30156	27209	26467	25655	23649	21683	19863						
			25	401	2.18	15.2	30978	27373	26304	25333	23393	21014							
	10	3	626	3.26	26	31514	29354	28802	28246	27129	26026	24967	23304	19684	15350				
			20	502	3.26	22	34562	31968	31344	30708	29313	27581	25763	23402					
			25	458	3.27	19.5	35381	32420	31475	30518	28791	27110	25163						
	10	5	742	5.42	36	37354	35538	35079	34617	33682	32740	31799	30421	28154	25353	22053			
			20	595	5.44	29	40965	38747	38216	37690	36630	35509	34229	31939	28450				
			25	544	5.45	26	42024	39682	38988	38231	36618	35103	33701	31519	28781				
	10	7 1/2	849	8.16	45	42740	41157	40758	40357	39550	38733	37911	36676	34666	32702	30462	24786		
			20	681	8.16	35	46886	44936	44460	43993	43073	42150	41194	39606	36315	33243	30214		
			25	622	8.15	32	48050	46051	45503	44913	43605	42192	40820	38951	35764	31751			
15	10	832	11.03	51	49135	47554	47161	46768	45993	45232	44478	43338	41334	39083	36723	32288			
		20	749	11.04	43	51568	49793	49352	48920	48074	47240	46400	45090	42528	39445	36687			
		25	685	11.04	37	52917	51123	50643	50145	49051	47834	46548	44693	41896	38897	35235			
Z5 Fabricated Steel	30	1 1/2	395	1.61	16.8	27843	25296	24571	23810	22213	20406								
			45	302	1.64	13.7	30674	26416	25072	23416									
	30	2	435	2.16	19.6	30662	28392	27762	27102	25706	24238	22592							
			45	333	2.20	16.1	33823	30075	28970	27749									
	30	3	498	3.24	24	35103	33156	32634	32091	30947	29732	28469	26426						
			45	381	3.30	20	38698	35490	34623	33690	31582	28770							
	30	5	591	5.42	31	41658	40043	39620	39188	38293	37349	36358	34801	32046	28459				
			45	452	5.50	27	45910	43238	42548	41839	40329	38635	36721						
40	7 1/2	554	8.25	34	52142	50110	49602	49097	48081	47039	45940	44074	40136	34747					
		45	517	8.25	33	52512	50187	49595	48995	47761	46450	45016	42624						
35	10	673	10.98	44	55340	53918	53550	53176	52411	51618	50792	49489	47149	44595	41726	34418			
		40	608	10.91	40	57225	55376	54910	54448	53526	52598	51646	50131	47116	43287	38274			
		45	569	11.02	38	57793	55686	55151	54613	53519	52386	51192	49226	45376					

NOTES:

1. Performance certified is for installation type A: Free inlet, free outlet.
2. Power rating (BHP) does not include transmission losses.
3. Performance ratings do not include the effects of appurtenances (accessories) in the airstream.
4. The sound ratings shown are loudness values in fan sones at 5 ft. (1.5m) in a hemispherical free field calculated per AMCA Standard 301. Values are for installation Type A: Free inlet hemispherical sone levels.

Direct Drive, LHDF

21 – 30 LHDF

MODEL INFO			MOTOR HP	FAN RPM	MAX BHP	SONES @ 0" SP	CFM/STATIC PRESSURE (IN. W.G.)												
SIZE	PROPELLER	BLADE ANGLE					0.000	0.100	0.125	0.150	0.200	0.250	0.300	0.375	0.500	0.625	0.750	1.000	
Max RPM			B105 = 1750	E4 = 1750	E8 = 1750	Max Motor Frame Size = 145T										Outlet Area (ft ²) = 2.463			
21	B105 Cast Aluminum	10	1/2	1750	0.43	27	3115	2952	2912	2872	2791	2713	2636	2515	2285	2051	1796	1284	
		15	3/4	1750	0.68	29	4265	4110	4071	4031	3952	3871	3790	3670	3456	3167	2874		
		20	1	1750	0.98	29	5325	5166	5125	5085	5001	4917	4831	4700	4477	4218	3846	3229	
		25	1 1/2	1750	1.26	30	6296	6125	6081	6037	5947	5855	5760	5615	5364	5084	4704	3928	
	E4 Cast Aluminum	12	1/2	1750	0.40	22	3844	3598	3537	3477	3358	3233	3090	2837	2323				
		16	3/4	1750	0.53	24	4582	4355	4295	4235	4109	3977	3839	3624	3196				
		20	1	1750	0.71	30	5396	5168	5108	5048	4923	4794	4658	4443	4042	3526			
		24	1 1/2	1750	0.89	28	6025	5782	5719	5655	5522	5383	5239	5016	4629	4144			
	E8 Cast Aluminum	12	1/2	1750	0.68	22	3713	3582	3548	3513	3442	3368	3291	3169	2939	2664	2365		
		16	1	1750	0.87	23	4626	4490	4455	4420	4349	4277	4204	4094	3902	3672	3374		
		20	1 1/2	1750	1.16	25	5515	5376	5341	5306	5235	5164	5092	4986	4811	4620	4357	3553	
		24	2	1750	1.45	27	6351	6222	6189	6155	6087	6016	5943	5828	5620	5386	5116	4380	
Max RPM			B105 = 1750	E4 = 1750	E8 = 1750	Z5 = 1750	Max Motor Frame Size = 184T										Outlet Area (ft ²) = 3.207		
24	B105 Cast Aluminum	10	3/4	1750	0.68	39	4555	4352	4301	4250	4148	4046	3946	3794	3520	3218	2916	2175	
		15	1 1/2	1750	1.12	36	6267	6070	6021	5971	5869	5767	5664	5508	5244	4946	4564	3869	
		20	2	1750	1.55	35	7830	7628	7576	7525	7420	7314	7205	7040	6761	6466	6117	5245	
		25	3	1750	2.03	34	9245	9030	8975	8919	8807	8692	8576	8396	8088	7765	7404	6426	
	E4 Cast Aluminum	12	1/2	1750	0.55	34	5218	4909	4828	4744	4568	4384	4194	3900	3360				
		16	3/4	1750	0.80	35	6556	6250	6171	6092	5931	5767	5598	5331	4839	4269	3546		
		20	1	1750	1.06	37	7630	7336	7260	7182	7021	6852	6674	6396	5919	5391	4735		
		24	1 1/2	1750	1.37	39	8659	8354	8275	8195	8034	7868	7699	7435	6958	6421	5816		
	E8 Cast Aluminum	12	1	1750	0.98	39	5209	5050	5009	4967	4879	4787	4689	4527	4220	3871	3507		
		16	1 1/2	1750	1.34	39	6616	6428	6381	6333	6238	6142	6046	5904	5669	5411	5084	4236	
		20	2	1750	1.76	41	7971	7807	7765	7723	7637	7549	7459	7321	7080	6823	6538	5778	
		24	3	1750	2.22	44	9207	9032	8988	8943	8852	8760	8666	8522	8276	8021	7747	7031	
	Z5 Fabricated Steel	30	1/4	860	0.22	13.2	4351	3913	3809	3701	3431								
		35	1/3	860	0.32	13.2	5185	4735	4608	4469	4151	3747							
		40	1/2	860	0.42	14.6	5944	5448	5292	5120	4777	4436	3855						
		45	3/4	860	0.50	14.8	6438	5891	5732	5562	5185	4715							
30		1/2	1160	0.54	22	5869	5542	5460	5378	5222	5066	4898	4571						
35		3/4	1160	0.77	23	6967	6665	6583	6499	6321	6124	5908	5540	4705					
40		1	1160	1.02	25	8017	7672	7578	7481	7268	7025	6764	6390	5684					
45		1 1/2	1160	1.24	26	8684	8297	8194	8088	7863	7620	7358	6927						
30	2	1750	1.89	43	8855	8637	8583	8529	8420	8312	8203	8043	7786	7522	7216	6315			
Max RPM			B105 = 1160	E4 = 1750	E8 = 1750	Z5 = 1160	Max Motor Frame Size = 184T										Outlet Area (ft ²) = 5.032		
30	B105 Cast Aluminum	10	1/2	1160	0.41	28	5734	5252	5124	4991	4715	4431	4137	3636	2626	1558	671		
		15	3/4	1160	0.65	28	7972	7473	7344	7213	6946	6672	6380	5881	4955				
		20	1	1160	0.96	27	9977	9460	9326	9191	8915	8635	8346	7870	6904	5764			
		25	1 1/2	1160	1.30	27	11751	11214	11075	10933	10644	10347	10042	9555	8591	7267			
	E4 Cast Aluminum	12	3/4	1160	0.68	28	7195	6705	6577	6446	6175	5891	5597	5112					
		16	1	1160	0.92	27	8699	8192	8064	7936	7680	7422	7153	6719	5825				
		20	1 1/2	1160	1.20	28	10138	9687	9570	9450	9204	8948	8680	8251	7446	6372			
		24	2	1160	1.54	28	11542	11062	10938	10811	10551	10282	10001	9558	8767	7746	6262		
	E8 Cast Aluminum	12	1 1/2	1160	1.12	29	7067	6798	6727	6655	6505	6347	6179	5905	5365				
		16	2	1160	1.45	30	8689	8434	8368	8300	8160	8014	7862	7615	7149	6599			
		20	2	1160	1.93	31	10520	10210	10132	10054	9896	9737	9576	9342	8950	8487	7774		
		25	3	1160	2.46	31	12668	12310	12232	12154	11996	11837	11675	11390	10937	10085	9054	7755	
	Z5 Fabricated Steel	30	1/2	860	0.46	18.2	7638	6901	6746	6591	6251	5839	5316						
		35	3/4	860	0.65	18.3	8997	8349	8184	8021	7686	7287	6727	5776					
		40	1	860	0.89	18.8	10461	9724	9527	9325	8900	8435	7923	6803					
		45	1 1/2	860	1.08	19.1	11306	10524	10317	10104	9660	9191	8712						
30		1 1/2	1160	1.14	28	10303	9727	9593	9463	9224	8996	8763	8368	7556	6297				
35		2	1160	1.60	28	12135	11661	11540	11418	11172	10930	10688	10308	9484	8349				
40		2	1160	2.17	29	14110	13576	13438	13298	13011	12717	12412	11930	11047	9933				

NOTES:

- Performance shown is for installation type A: Free inlet, free outlet.
- Performance ratings do not include the effects of appurtenances (accessories) in the airstream.
- The sound ratings shown are loudness values in fan sones at 5 ft. (1.5m) in a hemispherical free field calculated per AMCA Standard 301. Values are for installation Type A: Free inlet hemispherical sone levels.

36 - 48 LHDF

MODEL INFO			MOTOR HP	FAN RPM	MAX BHP	SONES @ 0° SP	CFM/STATIC PRESSURE (IN. W.G.)													
SIZE	PROPELLER	BLADE ANGLE					0.000	0.100	0.125	0.150	0.200	0.250	0.300	0.375	0.500	0.625	0.750	1.000		
36	B206 Cast Aluminum	10	1	1160	0.96	43	9257	8692	8545	8396	8093	7780	7450	6893	5868	4690	3395	1250		
		15	1 1/2	1160	1.45	44	12663	12137	12001	11861	11574	11276	10966	10471	9487	8360	6996			
		20	2	1160	2.14	45	15876	15341	15202	15061	14771	14471	14158	13666	12754	11625	10312			
		25	3	1160	2.93	46	18896	18323	18174	18023	17715	17397	17067	16549	15608	14523	13186			
		30	5	1160	3.90	49	21722	21083	20918	20751	20409	20057	19693	19124	18097	16954	15656			
	E4 Cast Aluminum	12	1	1160	1.04	37	9783	9097	8924	8752	8406	8045	7659	7023						
		16	1 1/2	1160	1.38	35	12099	11455	11290	11124	10788	10444	10086	9500	8373	7011				
		20	2	1160	1.86	39	14817	14226	14070	13911	13580	13226	12849	12250	11161	9908	8416			
		24	3	1160	2.44	39	17068	16449	16287	16122	15781	15420	15038	14439	13424	12313	10905			
	E8 Cast Aluminum	12	2	1160	1.84	39	9995	9541	9428	9315	9088	8869	8653	8314						
		16	2	1160	2.45	45	12786	12442	12352	12260	12069	11869	11659	11308	10628	9921	9151			
		20	3	1160	3.31	47	15694	15334	15241	15147	14955	14759	14556	14242	13684	13066	12338	10418		
	Z5 Fabricated Steel	30	1 1/2	860	1.15	24	13014	12142	11949	11764	11400	11016	10572	9799						
		35	2	860	1.61	25	15346	14587	14394	14200	13819	13430	13010	12206	10429					
		40	2	860	2.20	25	17775	16915	16690	16461	15991	15497	14974	14134	12295					
		45	3	860	2.71	25	19160	18248	18011	17771	17277	16764	16225	15416						
		30	3	1160	2.81	38	17554	16887	16728	16571	16272	15992	15722	15317	14570	13681	12590			
Max RPM B206 = 1160			E4 = 1160			E8 = 1160			Z5 = 1160			Max Motor Frame Size = 215T				Outlet Area (ft²) = 7.217				
42	B304 Cast Aluminum	10	1	860	0.77	30	12608	11535	11257	10976	10386	9724	8998	7816	5417	2918				
		15	1 1/2	860	1.22	32	16381	15289	14990	14680	14029	13348	12625	11508	9509					
		20	2	860	1.75	33	19663	18535	18222	17894	17200	16472	15726	14553	12558					
		25	3	860	2.37	36	22455	21271	20940	20594	19865	19098	18312	17071	14832					
		30	5	860	3.08	39	24765	23494	23140	22775	22011	21208	20373	19037	16279					
	E4 Cast Aluminum	12	1 1/2	860	1.32	26	13480	12539	12295	12049	11542	11008	10448	9485						
		16	2	860	1.77	26	16309	15375	15139	14905	14432	13944	13423	12586						
		24	3	860	3.03	29	21839	20930	20693	20451	19951	19432	18895	18062	16569	14597				
		28	5	860	3.80	33	24477	23544	23301	23053	22542	22012	21460	20589	18992	17027	14682			
	E8 Cast Aluminum	12	2	860	2.22	24	13486	12939	12796	12651	12351	12039	11713	11187						
		16	3	860	2.88	26	16718	16219	16088	15955	15680	15392	15086	14589	13663	12597				
		20	5	860	3.89	29	20203	19634	19489	19343	19049	18750	18454	18010	17228	16255	14895			
	Z5 Fabricated Steel	24	5	860	4.94	29	23206	22695	22563	22429	22154	21869	21575	21112	20271	19294	17972	14920		
		30	3	860	3.15	30	21251	20659	20501	20339	20001	19637	19231	18529	17257	15917	13910			
			35	5	860	4.30	28	24889	24049	23866	23688	23344	23003	22655	22089	20831	19166	17386		
	Max RPM B304 = 860			E4 = 860			E8 = 860			Z5 = 860			Max Motor Frame Size = 254T				Outlet Area (ft²) = 9.794			
48	B304 Cast Aluminum	10	1 1/2	860	1.12	34	17361	16045	15702	15356	14652	13892	13005	11573	8992	5264	2119			
		15	2	860	1.78	38	22801	21497	21149	20791	20039	19224	18366	16995	14740					
		20	3	860	2.62	40	27584	26239	25882	25515	24747	23914	23015	21613	19151	16696				
		25	5	860	3.61	43	31707	30277	29900	29514	28714	27864	26952	25497	22870	19908				
		30	5	860	4.89	47	35174	33602	33193	32777	31922	31035	30115	28642	25814	21527				
	E4 Cast Aluminum	12	2	860	1.79	37	17039	15826	15521	15217	14600	13948	13254	12089						
		16	3	860	2.37	35	21048	19905	19612	19317	18720	18106	17457	16395	14335	11890				
		20	3	860	3.20	40	25744	24682	24401	24113	23511	22868	22189	21120	19155	16886	14123			
		24	5	860	4.18	38	29588	28476	28184	27887	27266	26608	25922	24865	23075	21026	18421			
	E8 Cast Aluminum	12	3	860	3.14	40	17458	16652	16451	16249	15849	15462	15075	14455						
		16	5	860	4.21	44	22344	21721	21558	21390	21044	20680	20293	19642	18411	17154	15724			
		20	5	860	5.56	45	27376	26728	26560	26391	26046	25691	25326	24757	23744	22609	21241	17722		
	Z5 Fabricated Steel	30	5	860	4.83	40	30364	29233	28962	28700	28204	27727	27254	26527	25137	23496	21388			
	Max RPM B304 = 860			E4 = 860			E8 = 860			Z5 = 860			Max Motor Frame Size = 254T				Outlet Area (ft²) = 12.764			

NOTES:

- Performance shown is for installation type A: Free inlet, free outlet.
- Performance ratings do not include the effects of appurtenances (accessories) in the airstream.
- The sound ratings shown are loudness values in fan sones at 5 ft. (1.5m) in a hemispherical free field calculated per AMCA Standard 301. Values are for installation Type A: Free inlet hemispherical sone levels.

Belt Driven, LHBF

21 LHBF

MODEL INFO		MOTOR HP	FAN RPM	MAX BHP	SONES @ 0" SP	CFM/STATIC PRESSURE (IN. W.G.)												
PROPELLER	BLADE ANGLE					0.000	0.100	0.125	0.150	0.200	0.250	0.300	0.375	0.500	0.625	0.750	1.000	
Level 1 Performance		Max RPM L1 = 1085				Max Motor Frame Size = 56						Outlet Area (ft ²) = 2.463						
L1 Fabricated Steel	---	1/4	734	0.22	9.4	3995	3383	3184	2954									
			760	0.25	9.9	4136	3558	3368	3162									
			784	0.28	10.4	4267	3718	3534	3343									
	---	1/3	805	0.30	10.6	4381	3857	3677	3495	3058								
			833	0.33	11.3	4534	4040	3865	3693	3291								
			860	0.37	11.9	4681	4213	4046	3879	3513								
---	1/2	924	0.43	13.3	5029	4614	4469	4311	3996	3620								
		957	0.50	14.1	5209	4816	4682	4532	4230	3891								
		988	0.55	15.0	5377	5003	4878	4737	4445	4135	3763							
Level 2 Performance		Max RPM L2 = 1241				Max Motor Frame Size = 145T						Outlet Area (ft ²) = 2.463						
L2 Fabricated Steel	---	1/2	924	0.43	13.3	5029	4614	4469	4311	3996	3620							
			957	0.50	14.1	5209	4816	4682	4532	4230	3891							
			988	0.55	15.0	5377	5003	4878	4737	4445	4135	3763						
	---	3/4	1058	0.65	16.9	5758	5419	5312	5190	4918	4646	4340						
			1096	0.75	18.1	5965	5642	5542	5430	5173	4910	4633	4132					
			1131	0.83	18.8	6156	5845	5752	5647	5405	5150	4889	4428					
Level 3 Performance		Max RPM B105 = 1890 E4 = 1890 E8 = 1280				Max Motor Frame Size = 145T						Outlet Area (ft ²) = 2.463						
B105 Cast Aluminum	20	1/4	1142	0.27	15.5	3444	3201	3134	3063	2914	2751	2570	2273					
			25	0.27	13.8	3727	3434	3351	3264	3073	2860	2603	2241					
			30	0.27	13.0	3948	3584	3477	3362	3107	2812	2474						
	20	1/3	1252	0.36	17.8	3776	3557	3498	3436	3306	3167	3017	2758	2332				
			25	0.35	15.9	4089	3827	3755	3679	3516	3338	3142	2796					
			30	0.36	15.0	4332	4007	3915	3817	3602	3364	3091	2625					
	20	1/2	1438	0.54	22	4337	4149	4099	4048	3942	3829	3711	3521	3149	2778			
			25	0.55	20	4694	4470	4410	4348	4217	4076	3925	3678	3187	2696			
			30	0.55	18.7	4974	4698	4622	4544	4376	4190	3988	3655	2983				
	20	3/4	1646	0.79	28	4964	4802	4760	4717	4628	4535	4438	4286	4010	3699	3347		
			25	0.81	25	5373	5180	5129	5077	4969	4855	4735	4542	4184	3748	3336		
			30	0.82	23	5694	5456	5393	5328	5191	5045	4888	4630	4145	3562			
E4 Cast Aluminum	20	1/4	1310	0.27	14.0	3811	3503	3421	3337	3161	2978	2773	2645					
			28	0.27	12.7	4183	3792	3690	3584	3351	3086	2778	2596					
			32	0.28	11.8	4288	3837	3697	3567	3323	3034	2652	2335					
	20	1/3	1442	0.37	16.2	4195	3917	3844	3770	3616	3454	3288	3002					
			28	0.37	14.8	4603	4248	4158	4066	3869	3651	3410	2982					
			32	0.37	13.9	4720	4328	4204	4076	3845	3622	3357	2820					
	20	1/2	1650	0.55	20	4800	4560	4497	4434	4304	4170	4030	3815	3398				
			28	0.55	18.4	5270	4961	4883	4805	4644	4474	4289	3984	3366				
			32	0.55	17.2	5402	5076	4978	4872	4650	4447	4255	3934	3148				
	20	3/4	1889	0.82	26	5495	5287	5233	5179	5069	4956	4839	4659	4346	3995	3496		
			28	0.82	22	6035	5766	5698	5629	5492	5353	5207	4972	4531	4004	3215		
			32	0.82	21	6184	5906	5829	5746	5563	5369	5185	4931	4465	3816			
E8 Cast Aluminum	32	1/4	886	0.28	10.4	3976	3649	3565	3478	3277	2999	2683						
		1/3	975	0.37	12.2	4375	4079	4003	3927	3766	3572	3316	2878					
		1/2	1116	0.55	15.0	5008	4751	4685	4619	4486	4346	4190	3883	3242				
		3/4	1277	0.83	19.1	5730	5507	5450	5392	5277	5161	5041	4846	4405	3859			

NOTES:

1. Performance certified is for installation type A: Free inlet, free outlet.
2. Power rating (BHP) does not include transmission losses.
3. Performance ratings do not include the effects of appurtenances (accessories) in the airstream.
4. The sound ratings shown are loudness values in fan sones at 5 ft. (1.5m) in a hemispherical free field calculated per AMCA Standard 301. Values are for installation Type A: Free inlet hemispherical sone levels.



24 LHBF

MODEL INFO		MOTOR HP	FAN RPM	MAX BHP	SONES @ 0" SP	CFM/STATIC PRESSURE (IN. W.G.)													
PROPELLER	BLADE ANGLE					0.000	0.100	0.125	0.150	0.200	0.250	0.300	0.375	0.500	0.625	0.750	1.000		
Level 1 Performance		Max RPM L1 = 907			Max Motor Frame Size = 56							Outlet Area (ft²) = 3.207							
L1 Fabricated Steel	---	1/4	587	0.22	8.8	4872	3985	3668	3277										
			608	0.25	9.3	5046	4210	3917	3565										
			628	0.28	9.9	5212	4425	4144	3830										
	---	1/3	644	0.30	10.3	5345	4595	4321	4030										
			667	0.33	10.8	5536	4836	4570	4302										
			689	0.37	11.5	5718	5061	4807	4551	3942									
	---	1/2	740	0.43	13.0	6142	5564	5347	5107	4609									
			767	0.50	13.6	6366	5821	5625	5396	4931	4362								
			791	0.59	14.5	6565	6046	5866	5652	5204	4682								
	---	3/4	847	0.65	16.1	7030	6558	6408	6230	5817	5390	4871							
			877	0.75	17.0	7279	6828	6691	6529	6139	5736	5269							
			906	0.83	18.0	7520	7087	6959	6811	6448	6059	5641							
Level 2 Performance		Max RPM L2 = 986			Max Motor Frame Size = 145T							Outlet Area (ft²) = 3.207							
L2 Fabricated Steel	---	1/2	740	0.43	13.0	6142	5564	5347	5107	4609									
			767	0.50	13.6	6366	5821	5625	5396	4931	4362								
			791	0.59	14.5	6565	6046	5866	5652	5204	4682								
	---	3/4	847	0.65	16.1	7030	6558	6408	6230	5817	5390	4871							
			877	0.75	17.0	7279	6828	6691	6529	6139	5736	5269							
			906	0.83	18.0	7520	7087	6959	6811	6448	6059	5641							
	---	1	932	0.91	19.1	7735	7318	7197	7060	6722	6342	5953	5238						
			966	1.00	20	8018	7619	7504	7379	7072	6707	6343	5698						
			997	1.06	21	8275	7891	7782	7665	7384	7040	6687	6107						
Level 3 Performance		Max RPM B105 = 1930			E4 = 1930		E8 = 1175		Z5 = 1450		Max Motor Frame Size = 145T			Outlet Area (ft²) = 3.207					
B105 Cast Aluminum	20	1/3	1067	0.35	17.9	4727	4395	4304	4209	4008	3791	3554	3151						
			977	0.36	15.7	5098	4703	4592	4475	4222	3943	3614	3101						
			910	0.36	14.3	5382	4900	4760	4611	4283	3917	3446							
	20	1/2	1226	0.53	22	5431	5147	5072	4993	4829	4656	4472	4174	3599					
			1122	0.55	19.1	5855	5518	5427	5332	5130	4911	4676	4278	3526					
			1045	0.55	18.0	6180	5772	5659	5540	5283	5000	4696	4140						
	20	3/4	1403	0.82	26	6215	5970	5906	5840	5704	5562	5412	5176	4744	4231	3744			
			1285	0.82	23	6705	6416	6339	6260	6095	5920	5734	5433	4855	4209				
			1197	0.82	22	7079	6729	6635	6538	6332	6110	5869	5480	4681					
	20	1	1544	1.06	29	6840	6619	6561	6503	6383	6258	6128	5924	5558	5155	4680			
			1414	1.09	26	7378	7117	7049	6979	6834	6683	6523	6268	5801	5247	4664			
			1317	1.10	25	7789	7474	7390	7305	7126	6936	6733	6403	5799	5011				
E4 Cast Aluminum	16	1/3	1337	0.37	23	4879	4497	4398	4298	4089	3860	3606	3150						
			1111	0.37	18.2	5450	4949	4826	4702	4430	4114	3760							
			964	0.37	15.2	5661	5065	4907	4741	4379	3976								
	16	1/2	1531	0.55	29	5586	5256	5171	5084	4909	4728	4534	4215	3557					
			1272	0.55	23	6240	5800	5692	5585	5368	5133	4869	4422						
			1103	0.55	19.3	6477	5961	5827	5690	5403	5089	4744	4173						
	16	3/4	1753	0.82	40	6397	6110	6036	5962	5811	5659	5503	5256	4792	4232	3474			
			1456	0.82	29	7143	6758	6662	6567	6380	6192	5993	5660	5014					
			1263	0.82	24	7417	6969	6854	6737	6500	6250	5983	5546	4704					
	16	1	1929	1.10	48	7039	6779	6713	6646	6511	6373	6235	6021	5636	5201	4688			
			1602	1.10	36	7859	7510	7422	7335	7163	6993	6822	6549	6023	5415	4679			
			1390	1.10	28	8163	7758	7654	7549	7337	7119	6892	6526	5844					
E8 Cast Aluminum	32	1/3	813	0.37	13.0	5395	4957	4834	4705	4411	4011	3494							
			931	0.55	15.8	6178	5803	5701	5596	5373	5121	4807	4189						
	32	3/4	1066	0.82	19.5	7074	6752	6666	6578	6395	6202	5991	5614	4728					
			1173	1.10	22	7784	7494	7417	7340	7178	7010	6834	6544	5916	5037				
Z5 Fabricated Steel	30	1/3	1003	0.37	17.5	5093	4693	4600	4510	4326	4109	3826							
			766	0.37	13.5	5608	5008	4849	4661	4049									
	30	1/2	1148	0.55	22	5829	5478	5392	5309	5151	4992	4816	4477						
			877	0.55	16.9	6421	5897	5766	5631	5311	4788								
	30	3/4	1314	0.82	26	6672	6364	6288	6213	6066	5928	5791	5571	5084	4300				
			1004	0.82	21	7351	6894	6779	6665	6430	6159	5771	4935						
	30	1	1447	1.10	30	7348	7067	6997	6929	6792	6661	6536	6349	5995	5517	4798			
			1105	1.10	24	8090	7678	7571	7467	7259	7042	6794	6247						

NOTES:

1. Performance certified is for installation type A: Free inlet, free outlet.
2. Power rating (BHP) does not include transmission losses.
3. Performance ratings do not include the effects of appurtenances (accessories) in the airstream.
4. The sound ratings shown are loudness values in fan sones at 5 ft. (1.5m) in a hemispherical free field calculated per AMCA Standard 301. Values are for installation Type A: Free inlet hemispherical sone levels.

Belt Driven, LHBF

30 LHBF

MODEL INFO		MOTOR HP	FAN RPM	MAX BHP	SONES @ 0" SP	CFM/STATIC PRESSURE (IN. W.G.)													
PROPELLER	BLADE ANGLE					0.000	0.100	0.125	0.150	0.200	0.250	0.300	0.375	0.500	0.625	0.750	1.000		
Level 1 Performance		Max RPM L1 = 696			Max Motor Frame Size = 145T							Outlet Area (ft²) = 5.032							
L1 Fabricated Steel	---	1/4	405	0.22	7.4	6592	4788												
			420	0.25	7.9	6836	5162												
			433	0.28	8.1	7047	5464	4831											
	---	1/3	444	0.30	8.4	7226	5711	5121											
			460	0.33	8.9	7487	6061	5537											
			475	0.37	9.4	7731	6382	5899	5310										
	---	1/2	513	0.43	10.7	8349	7185	6748	6289										
			529	0.50	11.4	8610	7515	7091	6662										
			546	0.55	11.9	8886	7858	7452	7044	6064									
	---	3/4	584	0.65	13.4	9505	8595	8250	7864	7058									
605			0.75	14.3	9847	8988	8677	8310	7559	6627									
625			0.83	15.3	10172	9356	9072	8731	8012	7166									
---	1	643	0.91	16.0	10465	9682	9420	9104	8408	7639									
		666	1.00	17.0	10839	10093	9855	9570	8903	8207	7352								
		687	1.20	18.0	11181	10465	10245	9984	9349	8694	7911								
Level 2 Performance		Max RPM L2 = 950			Max Motor Frame Size = 184T							Outlet Area (ft²) = 5.032							
L2 Fabricated Steel	---	3/4	584	0.65	13.4	9505	8595	8250	7864	7058									
			605	0.75	14.3	9847	8988	8677	8310	7559	6627								
			625	0.83	15.3	10172	9356	9072	8731	8012	7166								
	---	1	643	0.91	16.0	10465	9682	9420	9104	8408	7639								
			666	1.00	17.0	10839	10093	9855	9570	8903	8207	7352							
			687	1.20	18.1	11181	10465	10245	9984	9349	8694	7911							
	---	1 1/2	736	1.30	20	11979	11323	11131	10916	10380	9770	9142	7967						
			762	1.50	21	12402	11774	11592	11395	10910	10323	9736	8686						
			787	1.65	22	12809	12205	12033	11848	11406	10854	10287	9343						
	---	2	810	1.83	24	13183	12600	12435	12260	11852	11338	10783	9916						
839			2.00	24	13655	13095	12939	12774	12402	11935	11399	10593							
866			2.20	26	14094	13555	13406	13249	12903	12478	11972	11197	9662						
Level 3 Performance		Max RPM B105 = 1565 E4 = 1565 E8 = 975 Z5 = 1295			Max Motor Frame Size = 184T							Outlet Area (ft²) = 5.032							
B105 Cast Aluminum	20	1/2	964	0.55	22	8186	7569	7403	7230	6869	6487	6081	5352						
			25	0.55	18.2	8686	7967	7769	7561	7121	6650	6114	4949						
			30	0.55	16.5	8986	8148	7909	7655	7109	6530	5418							
	20	3/4	1104	0.83	25	9375	8844	8704	8560	8260	7946	7618	7100	6054					
			25	0.82	22	9943	9326	9161	8990	8630	8247	7842	7188	5516					
			30	0.82	21	10280	9564	9367	9163	8723	8248	7752	6634						
	20	1	1215	1.10	28	10318	9839	9714	9586	9322	9047	8761	8312	7499	6495				
			25	1.10	26	10950	10396	10249	10098	9785	9454	9105	8553	7461					
			30	1.10	23	11314	10672	10499	10321	9944	9536	9103	8428						
	20	1 1/2	1390	1.65	34	11804	11389	11282	11173	10950	10720	10483	10113	9460	8761	7933			
			25	1.65	30	12536	12057	11932	11805	11543	11270	10985	10536	9735	8822	7523			
			30	1.65	28	12957	12403	12257	12108	11798	11470	11122	10566	9584	7781				
20	2	1530	2.20	39	12993	12618	12521	12424	12225	12021	11812	11488	10920	10319	9682	8117			
		25	2.20	35	13793	13360	13248	13134	12901	12661	12413	12023	11331	10591	9759				
		30	2.20	32	14261	13762	13632	13499	13226	12941	12643	12167	11309	10401	8701				
30	3	1451	3.30	39	16319	15887	15775	15662	15430	15192	14947	14562	13872	13125	12345	9643			
E4 Cast Aluminum	16	1/2	983	0.55	21	7197	6660	6517	6370	6063	5729	5361	4664						
			24	0.55	16.8	8057	7361	7181	6998	6601	6134	5567							
			32	0.55	13.7	8533	7661	7408	7141	6574	5853	4834							
	16	3/4	1125	0.82	27	8237	7773	7651	7527	7272	7005	6721	6256	5252					
			24	0.83	21	9217	8614	8457	8300	7980	7637	7249	6559						
			32	0.83	17.1	9759	9017	8811	8594	8130	7639	7082	5861						
	16	1	1238	1.10	31	9064	8645	8537	8426	8199	7965	7722	7333	6597	5601				
			24	1.10	25	10142	9597	9457	9315	9028	8735	8422	7888	6742					
			32	1.10	20	10747	10082	9902	9715	9315	8888	8441	7665						
	16	1 1/2	1417	1.65	40	10375	10012	9918	9823	9631	9433	9231	8916	8352	7719	6941			
			24	1.65	32	11614	11140	11019	10897	10649	10400	10146	9747	8976	8009				
			32	1.65	25	12306	11734	11582	11427	11102	10755	10388	9812	8684	6948				
16	2	1560	2.19	48	11422	11093	11009	10924	10752	10576	10396	10120	9636	9112	8535				
		24	2.20	39	12783	12354	12245	12135	11912	11686	11460	11113	10490	9758	8873				
		32	2.20	30	13543	13028	12893	12755	12471	12171	11855	11353	10464	9345	7772				
24	3	1502	3.30	51	14634	14261	14166	14071	13879	13685	13488	13191	12688	12150	11542	10037			
		28	3.30	44	15109	14704	14600	14496	14283	14065	13842	13498	12893	12244	11552	9583			
		32	3.30	42	15495	15048	14933	14815	14576	14328	14070	13663	12934	12163	11295	8585			

NOTES:

- Performance certified is for installation type A: Free inlet, free outlet.
- Power rating (BHP) does not include transmission losses.
- Performance ratings do not include the effects of appurtenances (accessories) in the airstream.
- The sound ratings shown are loudness values in fan sones at 5 ft. (1.5m) in a hemispherical free field calculated per AMCA Standard 301. Values are for installation Type A: Free inlet hemispherical sone levels.

30 LHBF (cont.)

MODEL INFO			MOTOR HP	FAN RPM	MAX BHP	SONES @ 0" SP	CFM/STATIC PRESSURE (IN. W.G.)										
PROPELLER	BLADE ANGLE	0.000					0.100	0.125	0.150	0.200	0.250	0.300	0.375	0.500	0.625	0.750	1.000
Level 3 Performance			Max RPM	E4 = 1565	E8 = 975	Z5 = 1295	Max Motor Frame Size = 184T					Outlet Area (ft²) = 5.032					
E8 Cast Aluminum	32	1/2	615	0.55	14.7	7983	7441	7273	7073	6546	5861	5258					
	32	3/4	704	0.82	17.9	9138	8682	8551	8409	8070	7615	7069	6193				
	32	1	775	1.10	21	10060	9654	9540	9421	9157	8828	8409	7647	6404			
	32	1 1/2	887	1.64	25	11513	11166	11072	10974	10767	10539	10274	9765	8660	7575		
Z5 Fabricated Steel	32	2	976	2.19	29	12669	12356	12273	12187	12008	11816	11608	11241	10415	9344	8383	
	35	1/2	814	0.55	17.5	8348	7699	7514	7315	6877	6394	5816					
			683	0.55	14.2	8886	7904	7643	7359	6710							
	35	3/4	932	0.82	22	9558	9005	8853	8695	8351	7971	7563	6860				
			782	0.82	17.5	10174	9321	9103	8880	8390	7841						
	35	1	1026	1.10	25	10522	10026	9892	9755	9463	9142	8796	8237	7081			
			860	1.10	21	11189	10416	10219	10021	9609	9150	8649					
	35	1 1/2	1175	1.63	32	12050	11622	11510	11394	11155	10902	10630	10188	9377	8396		
			985	1.64	26	12815	12145	11973	11801	11455	11097	10711	10078				
	35	2	1293	2.18	37	13260	12874	12774	12671	12460	12241	12010	11637	10950	10194	9295	
			1084	2.19	30	14103	13497	13341	13185	12872	12557	12231	11701	10687			
	35	3	1241	3.30	37	16146	15618	15484	15349	15076	14803	14529	14108	13339	12478		

36 LHBF

MODEL INFO			MOTOR HP	FAN RPM	MAX BHP	SONES @ 0" SP	CFM/STATIC PRESSURE (IN. W.G.)											
PROPELLER	BLADE ANGLE	0.000					0.100	0.125	0.150	0.200	0.250	0.300	0.375	0.500	0.625	0.750	1.000	
Level 1 Performance			Max RPM	L1 = 533			Max Motor Frame Size = 145T					Outlet Area (ft²) = 7.217						
L1 Fabricated Steel	---	1/3	332	0.30	8.1	8949	6051											
			344	0.33	8.5	9272	6744	4807										
			355	0.36	9.1	9568	7219	5616										
	---	1/2	381	0.45	10.2	10269	8205	7362	5579									
			395	0.50	10.9	10647	8705	7994	6575									
			407	0.55	11.2	10970	9128	8469	7438									
	---	3/4	436	0.68	12.4	11752	10151	9533	8891	6147								
			452	0.75	13.3	12183	10708	10098	9510	7311								
			466	0.83	14.1	12560	11182	10591	10026	8299								
	---	1	480	0.90	14.9	12938	11642	11086	10528	9210	6294							
			497	1.00	15.8	13396	12187	11683	11128	10002	7580							
			513	1.10	16.8	13827	12688	12235	11691	10642	8693							
Level 2 Performance			Max RPM	L2 = 671			Max Motor Frame Size = 184T					Outlet Area (ft²) = 7.217						
L2 Fabricated Steel	---	1	480	0.90	14.9	12938.0	11642.0	11086.0	10528.0	9210.0	6294.0							
			497	1.00	15.8	13396	12187	11683	11128	10002	7580							
			513	1.10	16.8	13827	12686	12232	11691	10642	8693							
	---	1 1/2	549	1.35	18.6	14797	13776	13414	12956	11969	10895	8632						
			569	1.50	19.7	15337	14367	14043	13637	12677	11722	10034						
			587	1.65	21	15822	14892	14596	14231	13310	12407	11232	7639					
	---	2	605	1.80	22	16307	15414	15139	14809	13947	13066	12092	9013					
			626	2.00	23	16873	16019	15763	15466	14686	13816	12946	10493					
			646	2.20	24	17412	16591	16350	16079	15374	14519	13702	11932					
	Level 3 Performance			Max RPM	B206 = 1395	E4 = 1395	E8 = 915	Z5 = 1095	Max Motor Frame Size = 184T					Outlet Area (ft²) = 7.217				
	B206 Cast Aluminum	20	3/4	844	0.82	27	11429	10681	10474	10256	9784	9264	8707	7728				
				761	0.83	23	12229	11328	11075	10806	10219	9573	8882	7197				
692				0.83	22	12737	11615	11295	10953	10209	9424	7737						
25		1	929	1.10	31	12581	11910	11728	11540	11138	10700	10225	9464	7870				
			837	1.10	27	13451	12644	12423	12192	11696	11148	10559	9591					
			761	1.10	25	14007	13005	12727	12435	11802	11112	10398	8097					
20		1 1/2	1064	1.65	39	14409	13832	13679	13522	13195	12846	12474	11868	10763	9403			
			958	1.65	33	15395	14702	14517	14326	13926	13495	13030	12275	10852				
			872	1.66	31	16050	15192	14961	14722	14217	13669	13079	12148	9006				
20		2	1171	2.20	46	15858	15338	15202	15063	14775	14474	14157	13646	12706	11675	10425		
			1055	2.20	39	16954	16330	16166	15998	15648	15279	14887	14251	13084	11689			
			959	2.20	36	17651	16879	16674	16464	16025	15557	15057	14250	12816				
20		3	1340	3.30	57	18146	17696	17579	17461	17219	16968	16709	16301	15560	14743	13868	11758	
			1207	3.30	50	19396	18857	18717	18574	18281	17976	17659	17156	16233	15217	14133		
			1098	3.30	45	20210	19543	19368	19191	18825	18443	18043	17403	16233	14998	12415		
30		5	1302	5.51	60	23965	23407	23264	23119	22822	22517	22204	21714	20838	19881	18860	16228	

NOTES:

1. Performance certified is for installation type A: Free inlet, free outlet.
2. Power rating (BHP) does not include transmission losses.
3. Performance ratings do not include the effects of appurtenances (accessories) in the airstream.
4. The sound ratings shown are loudness values in fan sones at 5 ft. (1.5m) in a hemispherical free field calculated per AMCA Standard 301. Values are for installation Type A: Free inlet hemispherical sone levels.

Belt Driven, LHBF

36 LHBF (cont.)

MODEL INFO		MOTOR HP	FAN RPM	MAX BHP	SONES @ 0" SP	CFM/STATIC PRESSURE (IN. W.G.)													
PROPELLER	BLADE ANGLE					0.000	0.100	0.125	0.150	0.200	0.250	0.300	0.375	0.500	0.625	0.750	1.000		
Level 3 Performance			Max RPM	E4 = 1395	E8 = 915	Z5 = 1095	Max Motor Frame Size = 184T						Outlet Area (ft ²) = 7.217						
E4 Cast Aluminum	20	3/4	878	0.82	24	11005	10117	9896	9673	9209	8695	8127	7151						
	28		738	0.83	22	12326	11252	10940	10613	9955	9278	8457	6705						
	32		687	0.82	20	12540	11348	11018	10670	9896	8993	7903							
	20	1	966	1.10	28	12108	11302	11100	10898	10491	10062	9592	8811						
			28	812	1.10	24	13562	12606	12337	12052	11455	10859	10243	9099					
			32	756	1.10	24	13799	12731	12442	12142	11497	10770	9945	8420					
	20	1 1/2	1106	1.65	35	13863	13161	12984	12806	12454	12099	11733	11136	10006					
			28	930	1.65	28	15533	14714	14494	14263	13770	13250	12727	11938	10295				
			32	865	1.65	28	15788	14868	14625	14375	13853	13294	12683	11646	9424				
	20	2	1217	2.20	42	15254	14617	14457	14296	13973	13653	13331	12829	11897	10835				
			28	1023	2.20	31	17086	16349	16154	15953	15528	15073	14598	13887	12653	11029			
			32	952	2.20	30	17376	16547	16330	16108	15651	15171	14661	13822	12176	9864			
20	3	1393	3.29	54	17460	16905	16765	16625	16343	16061	15782	15361	14632	13824	12932				
		28	1172	3.30	39	19575	18938	18772	18603	18255	17886	17496	16881	15845	14784	13507			
		32	1090	3.30	36	19895	19178	18992	18803	18417	18019	17606	16953	15737	14322	12620			
20	5	1389	5.47	52	23199	22667	22530	22391	22109	21819	21518	21043	20194	19316	18447	16512			
		32	1292	5.47	47	23582	22982	22828	22672	22356	22034	21704	21195	20297	19317	18224	15627		
E8 Cast Aluminum	32	3/4	575	0.83	17.9	11730	10832	10581	10316	9728	9004	8081							
	32	1	633	1.10	21	12914	12110	11890	11662	11172	10620	9956	8665						
	32	1 1/2	724	1.65	27	14770	14079	13895	13705	13308	12883	12419	11605	9735					
	32	2	797	2.20	30	16259	15637	15473	15306	14958	14593	14205	13568	12242	10381				
	32	3	913	3.30	36	18626	18088	17948	17806	17514	17212	16898	16402	15480	14351	12916			
Z5 Fabricated Steel	35	3/4	688	0.82	18.2	12054	11132	10868	10586	9973	9301	8504							
	45		576	0.82	14.7	12703	11342	10974	10572	9643									
	35	1	758	1.09	21	13280	12458	12231	11991	11470	10904	10293	9192						
	45		634	1.10	16.8	13982	12754	12435	12099	11360	10433								
	35	1 1/2	867	1.64	26	15190	14484	14294	14099	13682	13230	12745	11967	10373					
	45		726	1.65	21	16011	14942	14671	14396	13814	13172	12462							
	35	2	954	2.19	30	16714	16078	15910	15738	15379	14993	14580	13917	12694	11132				
	45		799	2.19	25	17621	16652	16407	16160	15656	15116	14530	13539						
	35	3	1093	3.26	38	19149	18600	18457	18312	18012	17700	17371	16843	15882	14830	13589			
	45		915	3.30	31	20180	19337	19122	18908	18478	18039	17580	16830	15389					
45	5	1085	5.49	41	23929	23222	23042	22862	22500	22138	21774	21212	20194	19077					

NOTES:

1. Performance certified is for installation type A: Free inlet, free outlet.
2. Power rating (BHP) does not include transmission losses.
3. Performance ratings do not include the effects of appurtenances (accessories) in the airstream.
4. The sound ratings shown are loudness values in fan sones at 5 ft. (1.5m) in a hemispherical free field calculated per AMCA Standard 301. Values are for installation Type A: Free inlet hemispherical sone levels.



42 LHBF

MODEL INFO		MOTOR HP ¹	FAN RPM	MAX BHP	SONES @ 0" SP	CFM/STATIC PRESSURE (IN. W.G.)													
PROPELLER	BLADE ANGLE					0.000	0.100	0.125	0.150	0.200	0.250	0.300	0.375	0.500	0.625	0.750	1.000		
Level 1 Performance		Max RPM L1 = 411			Max Motor Frame Size = 145T							Outlet Area (ft ²) = 9.794							
L1 Fabricated Steel	---	1/3	257 266 275	0.30 0.33 0.36	6.8 7.2 7.4	10714 11089 11465	5670 6592												
	---	1/2	295 305 315	0.45 0.50 0.55	8.3 8.8 9.2	12298 12715 13132	8493 9328 9991	6081 7125 8099											
	---	3/4	337 349 361	0.68 0.75 0.83	10.3 10.9 11.6	14049 14550 15050	11251 11894 12522	10124 10971 11695	8093 9234 10374										
	---	1	371 385 397	0.90 1.00 1.10	12.4 13.2 13.6	15467 16050 16551	13038 13752 14364	12261 13022 13656	11234 12187 12901	8932 10108									
Level 2 Performance		Max RPM L2 = 703			Max Motor Frame Size = 184T							Outlet Area (ft ²) = 9.794							
L2 Fabricated Steel	---	1	371 385 397	0.90 1.00 1.10	12.4 13.2 13.6	15467 16050 16551	13038 13752 14364	12261 13022 13656	11234 12187 12901										
	---	1 1/2	425 440 454	1.35 1.50 1.65	15.0 15.9 16.8	17718 18343 18927	15784 16532 17219	15099 15862 16576	14438 15226 15949	12703 13784 14640	9430 10932 12233								
	---	2	468 484 500	1.80 2.00 2.20	17.8 19.0 19.9	19511 20178 20845	17895 18655 19404	17286 18090 18881	16664 17478 18294	15438 16312 17160	13576 14875 15915	10581 12169 13650							
	---	3	535 555 572	2.70 3.00 3.30	22 24 25	22304 23137 23846	21009 21912 22672	20567 21507 22294	20055 21038 21860	18967 19985 20852	17906 18974 19862	16627 17870 18842	13009 14888 16517						
	---	5	635 657 679	4.50 5.00 5.50	29 30 32	26473 27390 28307	25448 26407 27362	25147 26124 27096	24809 25811 26808	24007 25074 26128	23083 24201 25313	22192 23319 24439	20813 22026 23200	16660 18739 20636					
	Level 3 Performance		Max RPM B304 = 965			E4 = 965			E8 = 660			Z5 = 870			Max Motor Frame Size = 215T				Outlet Area (ft ²) = 9.794
B304 Cast Aluminum	20	1	736	1.10	26	16573	15214	14824	14416	13569	12711	11821	10420						
	25		666	1.10	23	17071	15448	14974	14483	13485	12429	11275							
	30		610	1.10	22	17187	15246	14682	14105	12888	11305								
	20	1 1/2	842	1.65	32	18959	17806	17483	17147	16439	15699	14953	13798	11750					
	25		763	1.65	29	19557	18189	17798	17390	16538	15667	14776	13310						
	30		698	1.65	27	19667	18031	17560	17072	16067	15027	13736	11269						
E4 Cast Aluminum	20	2	927	2.20	38	20873	19842	19560	19266	18649	17998	17325	16308	14549	12600				
	25		839	2.20	34	21505	20287	19944	19587	18839	18056	17263	16037	13727					
	30		768	2.20	32	21639	20186	19773	19344	18451	17533	16589	14805						
	25	3	961	3.11	43	24632	23593	23309	23013	22395	21744	21068	20031	18248	16263	13580			
	30		880	3.30	39	24795	23564	23219	22862	22119	21341	20543	19332	16786					
	E8 Cast Aluminum	20	1	670	1.10	19.5	14662	13447	13154	12855	12210	11499	10665						
28			569	1.09	15.4	15873	14397	13989	13566	12684	11655	10243							
32			532	1.09	14.3	16181	14506	14032	13539	12460	11042								
20		1 1/2	767	1.65	24	16785	15713	15456	15200	14679	14120	13518	12498						
28			652	1.65	19.6	18188	16926	16585	16233	15499	14734	13900	12238						
32			609	1.65	18.2	18524	17097	16703	16294	15438	14509	13396	11265						
Z5 Fabricated Steel	20	2	845	2.19	28	18492	17515	17277	17043	16578	16102	15592	14768	13086					
	28		717	2.20	23	20001	18866	18564	18253	17608	16933	16237	15082	12332					
	32		670	2.19	21	20379	19100	18753	18395	17645	16857	16008	14453						
	20	3	967	3.28	35	21162	20306	20093	19885	19475	19069	18658	18008	16811	15392				
	28		821	3.29	27	22902	21923	21666	21404	20864	20302	19720	18818	17143	14771				
	32		767	3.30	26	23329	22320	21938	21637	21014	20362	19683	18605	16360					
E8 Cast Aluminum	32	5	909	5.51	33	27648	26733	26495	26252	25753	25234	24698	23861	22385	20696	18476			
	32	1	455	1.09	13.0	15432	14278	13903	13474	12490	11281	10183							
	32	1 1/2	521	1.65	17.0	17671	16705	16423	16109	15375	14534	13507	12020						
	32	2	573	2.20	20	19434	18574	18332	18075	17486	16791	16024	14616	12328					
	32	3	656	3.30	26	22250	21513	21314	21106	20661	20153	19573	18597	16589	14659				
	Z5 Fabricated Steel	30	1	604	1.07	18.6	15031	13940	13666	13389	12804	12144	11391	9803					
45			467	1.10	17.0	16547	14719	14158	13501	11844									
30		1 1/2	691	1.61	23	17196	16245	16005	15765	15281	14774	14217	13278	10999					
45			534	1.65	21	18921	17366	16935	16465	15341	13922								
30		2	761	2.10	26	18938	18077	17858	17640	17205	16762	16301	15539	14029					
45			588	2.20	24	20834	19439	19065	18673	17791	16716	15419							
Z5 Fabricated Steel	30	3	871	3.20	31	21675	20925	20736	20545	20163	19783	19400	18805	17702	16413	14669			
	45		673	3.30	29	23846	22639	22325	22003	21323	20563	19680	18081						
	40	5	848	5.40	38	27918	27032	26810	26588	26144	25695	25232	24491	22996	21080	18613			
	45		798	5.49	37	28275	27265	27007	26745	26209	25649	25054	24050	21966	19196				

NOTES:

1. Performance certified is for installation type A: Free inlet, free outlet.
2. Power rating (BHP) does not include transmission losses.
3. Performance ratings do not include the effects of appurtenances (accessories) in the airstream.
4. The sound ratings shown are loudness values in fan sones at 5 ft. (1.5m) in a hemispherical free field calculated per AMCA Standard 301. Values are for installation Type A: Free inlet hemispherical sone levels.

Belt Driven, LHBF

48 LHBF

MODEL INFO						CFM/STATIC PRESSURE (IN. W.G.)													
PROPELLER	BLADE ANGLE	MOTOR HP	FAN RPM	MAX BHP	SONES @ 0" SP	0.000	0.100	0.125	0.150	0.200	0.250	0.300	0.375	0.500	0.625	0.750	1.000		
Level 1 Performance			Max RPM L1 = 330			Max Motor Frame Size = 145T											Outlet Area (ft²) = 12.764		
L1 Fabricated Steel	---	1/2	236	0.45	7.7	14816	8113												
			245	0.50	8.2	15381	9487												
			252	0.55	8.4	15820	10515												
	---	3/4	270	0.68	9.4	16950	12743	10027											
			280	0.75	10.0	17578	13655	11487											
			289	0.83	10.6	18143	14422	12823	9929										
---	1	297	0.90	11.1	18645	15081	13761	11168											
		308	1.00	11.8	19336	15966	14818	12779											
		318	1.10	12.4	19963	16756	15694	14231											
Level 2 Performance			Max RPM L2 = 564			Max Motor Frame Size = 184T											Outlet Area (ft²) = 12.764		
L2 Fabricated Steel	---	1	297	0.90	11.1	18645	15081	13761	11168										
			308	1.00	11.8	19336	15966	14818	12779										
			318	1.10	12.4	19963	16756	15694	14231										
	---	1 1/2	340	1.35	14.1	21344	18479	17502	16466	12450									
			352	1.50	15.0	22098	19418	18455	17500	14205									
			364	1.65	15.9	22851	20345	19396	18491	16009	11323								
	---	2	375	1.80	15.9	23542	21180	20258	19377	17335	13121								
			388	2.00	16.9	24358	22148	21277	20406	18599	15090								
			400	2.20	18.0	25111	23023	22211	21345	19659	16867	12616							
	---	3	429	2.70	20	26932	25081	24407	23618	22053	20348	17096							
444			3.00	22	27873	26121	25508	24779	23246	21702	19352	13558							
458			3.30	23	28752	27080	26515	25844	24344	22891	21094	15867							
---	5	508	4.50	27	31891	30439	29999	29493	28252	26900	25596	23130							
		526	5.00	28	33021	31630	31222	30759	29627	28309	27057	24977	17866						
		543	5.50	30	34088	32751	32367	31937	30906	29643	28408	26511	20503						
Level 3 Performance			Max RPM B304 = 1025			E4 = 1025			E8 = 670			Z5 = 805			Max Motor Frame Size = 215T			Outlet Area (ft²) = 12.764	
B304 Cast Aluminum	20	1 1/2	738	1.64	31	23327	21731	21295	20840	19858	18797	17715	16063						
			25	1.65	28	23978	22066	21536	20976	19766	18488	17164	14868						
			30	1.65	25	23942	21627	20972	20280	18803	17186	14609							
	20	2	812	2.19	36	25667	24233	23848	23451	22612	21701	20734	19259	16774					
			25	2.21	33	26404	24693	24229	23746	22714	21596	20433	18609	14640					
			30	2.20	30	26344	24275	23706	23109	21834	20471	19004	15460						
	20	3	929	3.30	46	29365	28128	27802	27469	26779	26050	25271	24024	21874	19697	17300			
			25	3.30	41	30207	28734	28343	27942	27103	26206	25248	23736	21078	17843				
			30	3.31	37	30188	28414	27939	27449	26416	25310	24140	22301	17344					
	25	5	989	5.51	54	35822	34596	34277	33952	33284	32590	31864	30705	28617	26459	24070			
30			5.50	50	35753	34279	33892	33498	32683	31829	30930	29502	26966	23495					
30			7 1/2	63	40958	39682	39352	39017	38331	37622	36887	35732	33662	31454	28957				
E4 Cast Aluminum	20	1 1/2	686	1.65	27	20121	18641	18271	17900	17129	16284	15360	13807						
			28	1.65	22	22556	20741	20222	19683	18604	17507	16246	13769						
			32	1.65	20	22763	20758	20208	19629	18358	16906	15217							
	20	2	755	2.19	30	22145	20801	20464	20128	19449	18738	17967	16700						
			28	2.20	27	24816	23199	22746	22272	21291	20313	19314	17563						
			32	2.20	25	25057	23257	22774	22273	21205	20017	18691	16352						
	20	3	864	3.29	38	25342	24170	23874	23579	22992	22401	21791	20809	18971	16840				
			28	3.30	35	28400	27015	26641	26251	25429	24572	23713	22424	19890	16257				
			32	3.29	33	28709	27159	26751	26333	25465	24539	23538	21868	18494					
	20	5	1025	5.49	51	30064	29079	28831	28582	28083	27588	27093	26340	25004	23519	21880			
			28	5.50	42	33698	32548	32247	31940	31297	30618	29910	28821	27019	25073	22633			
			32	5.51	42	34018	32725	32390	32050	31353	30632	29881	28683	26433	23813	20479			
28	7 1/2	990	8.25	50	38568	37571	37314	37052	36518	35958	35373	34457	32874	31303	29675	25564			
		32	8.27	49	38944	37822	37534	37243	36650	36043	35421	34451	32712	30767	28590	22874			
E8 Cast Aluminum	32	1 1/2	448	1.63	18.7	21382	19853	19430	18986	18010	16840	15402							
			32	2.20	22	23530	22160	21788	21403	20583	19668	18596	16597						
	32	3	565	3.29	28	26967	25789	25477	25156	24488	23778	23010	21691	18816					
			32	5.51	39	31978	30999	30743	30484	29950	29397	28820	27901	26158	23967	21142			
Z5 Fabricated Steel	35	1 1/2	538	1.65	19.8	22038	20471	20026	19556	18547	17454	16202							
			45	1.64	15.9	22913	20649	20026	19358	17842									
	35	2	593	2.17	23	24291	22893	22508	22105	21240	20310	19316	17591						
			45	2.20	18.3	25215	23174	22638	22070	20844	19351								
	35	3	678	3.27	29	27772	26570	26249	25918	25216	24463	23664	22393	19890					
			45	3.31	23	28897	27127	26675	26213	25231	24168	23001							
	35	5	804	5.46	38	32934	31934	31673	31407	30858	30280	29670	28699	26957	25007	22635			
			45	5.49	29	34267	32778	32403	32026	31256	30452	29587	28222						
45	7 1/2	767	8.24	36	39228	37929	37602	37275	36617	35947	35255	34154	32165	29559					

NOTES:

- Performance certified is for installation type A: Free inlet, free outlet.
- Power rating (BHP) does not include transmission losses.
- Performance ratings do not include the effects of appurtenances (accessories) in the airstream.
- The sound ratings shown are loudness values in fan sones at 5 ft. (1.5m) in a hemispherical free field calculated per AMCA Standard 301. Values are for installation Type A: Free inlet hemispherical sone levels.

54 LHBF

MODEL INFO		MOTOR HP	FAN RPM	MAX BHP	SONES @ 0" SP	CFM/STATIC PRESSURE (IN. W.G.)											
PROPELLER	BLADE ANGLE					0.000	0.100	0.125	0.150	0.200	0.250	0.300	0.375	0.500	0.625	0.750	1.000
Level 1 Performance		Max RPM L1 = 312			Max Motor Frame Size = 145T							Outlet Area (ft²) = 16.126					
L1 Fabricated Steel	---	3/4	222 230 237	0.68 0.75 0.83	8.4 9.0 9.5	19774 20487 21110	12729 14403 15586	10324									
	---	1	244 253 261	0.90 1.00 1.10	10.0 10.7 11.1	21734 22535 23248	16554 17681 18630	13391 15251 16797	11554 13346								
	---	1 1/2	280 290 299	1.35 1.50 1.65	12.5 13.3 14.1	24940 25831 26633	20786 21893 22883	19419 20618 21658	17305 19049 20296	12840 14891							
Level 2 Performance		Max RPM L2 = 467			Max Motor Frame Size = 184T							Outlet Area (ft²) = 16.126					
L2 Fabricated Steel	---	1 1/2	280 290 299	1.35 1.50 1.65	12.5 13.3 14.1	24940 25831 26633	20786 21893 22883	19419 20618 21658	17305 19049 20296	12840 14891							
	---	2	308 319 329	1.80 2.00 2.20	14.5 15.4 16.1	27434 28414 29305	23877 25086 26171	22676 23900 25001	21429 22740 23892	16808 19070 21052	15464						
	---	3	352 365 377	2.70 3.00 3.30	18.0 19.1 20.0	31354 32512 33580	28602 29936 31146	27537 28954 30241	26463 27894 29218	24294 25865 27257	20328 23027 24976	17974 20541					
	---	5	418 433 447	4.50 5.00 5.50	24 26 27	37232 38569 39816	35163 36600 37937	34472 35966 37350	33659 35226 36671	31827 33482 35035	30073 31779 33342	28058 29988 31674	22240 25293 28196				
Level 3 Performance		Max RPM B406 = 985 C3 = 985 C6 = 795 Z5 = 665			Max Motor Frame Size = 254T							Outlet Area (ft²) = 16.126					
B406 Cast Aluminum	20	1 1/2	556	1.65	30	26343	24259	23696	23111	21878	20597	19332	17068				
	25		502	1.65	28	27738	25315	24636	23918	22379	20748	18824					
	30		455	1.66	26	28221	25374	24518	23586	21457	18368						
	20	2	612	2.20	34	28996	27122	26624	26113	25039	23904	22739	21010	17279			
	25		553	2.21	32	30555	28391	27799	27181	25861	24440	22958	20296				
	30		501	2.21	30	31074	28555	27827	27047	25312	23281	20423					
	20	3	700	3.29	42	33165	31546	31122	30690	29799	28864	27885	26365	23831	20627		
	25		632	3.30	38	34921	33057	32560	32048	30974	29823	28602	26680	22825			
	30		573	3.31	36	35540	33395	32801	32177	30826	29323	27645	24301				
	20	5	830	5.50	55	39325	37973	37624	37271	36550	35808	35042	33841	31730	29590	27341	
	25		750	5.50	50	41440	39894	39489	39077	38228	37341	36410	34928	32276	29369	25611	
	30		679	5.50	48	42114	40345	39872	39384	38358	37253	36062	34094	29937			
20	7 1/2	950	8.25	69	45010	43836	43535	43232	42616	41987	41344	40353	38608	36768	34890	30980	
25		858	8.26	64	47408	46067	45720	45369	44651	43910	43145	41945	39793	37482	35068	28757	
30		778	8.28	60	48255	46730	46330	45921	45073	44182	43240	41723	38878	35424	30608		
25	10	944	10.96	74	52160	50947	50635	50320	49678	49021	48347	47301	45450	43458	41352	36755	
30		856	11.02	72	53093	51717	51359	50994	50245	49467	48655	47366	45002	42332	39181		
C3 Cast Aluminum	10	1 1/2	671	1.62	17.3	23960	21230	20410	19579	17842	16173	14512					
	20		538	1.64	12.3	24910	21567	20706	19831	17771	15079						
	10	2	739	2.17	20	26388	23994	23272	22527	20996	19422	17910	15645				
	20		593	2.17	14.3	27457	24451	23661	22881	21260	19282	16833					
	10	3	846	3.25	25	30208	28199	27615	26996	25700	24370	22985	20980	17682			
	20		678	3.27	18.1	31393	28801	28114	27423	26054	24650	23039	20064				
	10	5	1003	5.44	33	35815	34170	33723	33251	32236	31153	30057	28342	25476	22702	19933	
	20		804	5.45	23	37227	35076	34511	33937	32774	31614	30462	28634	24773			
	20	7 1/2	921	8.25	29	42644	40786	40302	39811	38812	37797	36779	35273	32618	29311	25184	
	25		867	8.26	30	41825	39983	39540	39093	38164	37140	36031	34234	30896	26963		
25	10	954	11.02	34	46022	44335	43932	43529	42712	41855	40919	39400	36608	33474	29884		

NOTES:

1. Performance certified is for installation type A: Free inlet, free outlet.
2. Power rating (BHP) does not include transmission losses.
3. Performance ratings do not include the effects of appurtenances (accessories) in the airstream.
4. The sound ratings shown are loudness values in fan sones at 5 ft. (1.5m) in a hemispherical free field calculated per AMCA Standard 301. Values are for installation Type A: Free inlet hemispherical sone levels.

Belt Driven, LHBF

54 LHBF (cont.)

MODEL INFO		MOTOR HP	FAN RPM	MAX BHP	SONES @ 0" SP	CFM/STATIC PRESSURE (IN. W.G.)												
PROPELLER	BLADE ANGLE					0.000	0.100	0.125	0.150	0.200	0.250	0.300	0.375	0.500	0.625	0.750	1.000	
Level 3 Performance			Max RPM	C3 = 985	C6 = 795	Z5 = 665	Max Motor					Frame Size = 254T		Outlet Area (ft ²) = 16.126				
C6 Cast Aluminum	10	1 1/2	540	1.63	14.7	22460	20422	19978	19505	18351	17048	15890	13853					
	20		444	1.63	11.3	24932	22372	21670	20953	19465	17836	15965						
	25		411	1.63	10.2	24573	21955	21277	20586	19073	16874							
	10	2	595	2.17	17.0	24748	22844	22444	22041	21150	20052	18865	17289	13571				
	20		489	2.17	13.8	27459	25168	24546	23908	22599	21229	19744	17121					
	25		452	2.17	12.3	27024	24631	24048	23430	22160	20715	18666						
	10	3	681	3.24	21	28325	26591	26231	25880	25177	24412	23503	21958	19630	16500			
	20		560	3.27	17.0	31446	29478	28953	28415	27305	26165	24991	23102					
	25		518	3.27	15.7	30970	28846	28353	27852	26785	25684	24501	22151					
	10	5	807	5.44	29	33565	32032	31705	31393	30794	30205	29599	28581	26489	24422	22508		
	20		664	5.44	22	37286	35650	35223	34788	33892	32966	32017	30565	27994	25108			
	25		614	5.45	20	36710	34871	34450	34034	33197	32320	31400	29987	27098	23120			
20	7 1/2	760	8.25	28	42677	41257	40892	40522	39764	38982	38181	36947	34833	32606	30180			
25		703	8.24	26	42031	40392	40016	39647	38919	38189	37439	36245	34189	31770	28316			
20	10	836	8.65	33	46945	45659	45330	44998	44322	43628	42917	41821	39938	38002	35972	31426		
Z5 Fabricated Steel	30	1 1/2	444	1.61	17.9	24156	22245	21781	21310	20288	19063	17553						
	45		341	1.64	15.3	26436	23329	22321	21046									
	30	2	489	2.16	21	26604	24862	24437	24016	23152	22191	21074	18962					
	45		375	2.20	17.9	29071	26308	25520	24595	22141								
	30	3	560	3.24	25	30467	28945	28564	28191	27454	26704	25904	24512	21459				
	45		429	3.30	23	33258	30877	30249	29583	28003	25894	23323						
	30	5	664	5.42	34	36125	34843	34521	34199	33563	32940	32318	31355	29517	27249	24048		
	45		509	5.50	29	39459	37466	36959	36443	35357	34131	32635	29784					
	40	7 1/2	623	8.22	38	45162	43664	43274	42879	42071	41233	40358	38955	36232	32879	28330		
	45		582	8.27	36	45119	43380	42941	42499	41598	40654	39630	37803	33701				
	45		641	11.04	42	49693	48116	47718	47320	46515	45691	44833	43427	40437	36492			

NOTES:

1. Performance certified is for installation type A: Free inlet, free outlet.
2. Power rating (BHP) does not include transmission losses.
3. Performance ratings do not include the effects of appurtenances (accessories) in the airstream.
4. The sound ratings shown are loudness values in fan sones at 5 ft. (1.5m) in a hemispherical free field calculated per AMCA Standard 301. Values are for installation Type A: Free inlet hemispherical sone levels.



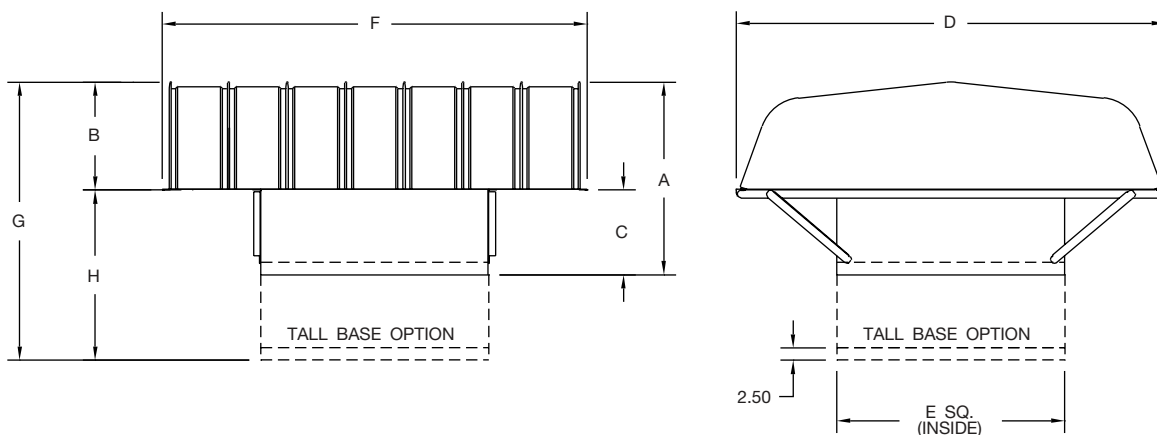
60 LHBF

MODEL INFO		MOTOR HP	FAN RPM	MAX BHP	SONES @ 0" SP	CFM/STATIC PRESSURE (IN. W.G.)													
PROPELLER	BLADE ANGLE					0.000	0.100	0.125	0.150	0.200	0.250	0.300	0.375	0.500	0.625	0.750	1.000		
Level 1 Performance			Max RPM L1 = 300				Max Motor Frame Size = 145T												
L1 Fabricated Steel	---	3/4	186	0.68	7.9	22659	11584												
			193	0.75	8.4	23512	13694												
			199	0.83	8.7	24243	15361												
	---	1	205	0.90	9.0	24974	17046												
			212	1.00	9.5	25827	18824	14195											
			219	1.10	10.1	26679	20209	16225											
	---	1 1/2	235	1.35	11.4	28628	22903	20584	16370										
			243	1.50	12.1	29603	24160	22252	18620										
251			1.65	12.9	30578	25389	23677	20856											
---	2	258	1.80	13.3	31430	26448	24843	22683											
		268	2.00	14.2	32649	27945	26438	24711	17906										
		276	2.20	15.0	33623	29143	27678	26114	20239										
Level 2 Performance			Max RPM L2 = 399				Max Motor Frame Size = 215T												
L2 Fabricated Steel	---	1 1/2	235	1.35	11.4	28628	22903	20584	16370										
			243	1.50	12.1	29603	24160	22252	18620										
			251	1.65	12.9	30578	25389	23677	20856										
	---	2	258	1.80	13.3	31430	26448	24843	22683										
			268	2.00	14.2	32649	27945	26438	24711	17906									
			276	2.20	15.0	33623	29143	27678	26114	20239									
	---	3	296	2.70	16.4	36060	32123	30701	29339	25735	18912								
			306	3.00	17.5	37278	33584	32197	30879	27887	21895								
316			3.30	18.6	38496	35020	33695	32394	29693	24648									
---	5	350	4.50	22	42638	39735	38683	37484	35146	32623	28060								
		363	5.00	23	44222	41483	40525	39412	37122	34827	31635	23309							
		375	5.50	24	45684	43088	42206	41177	38922	36758	34198	26881							
Level 3 Performance			Max RPM C3 = 955 C6 = 850 Z5 = 685				Max Motor Frame Size = 256T												
C3 Cast Aluminum	10	2	679	2.17	21	28554	25318	24364	23508	21904	20075	18068	15484						
			20	535	2.19	17.1	30550	26925	25889	24764	22296	19470							
			25	490	2.18	15.3	29648	25098	23709										
	10	3	777	3.27	26	32675	30004	29174	28327	26799	25402	23919	21251	17368					
			20	612	3.27	21	34947	31850	31004	30117	28176	26027	23714						
			25	561	3.27	19.0	33944	30086	29006										
	10	5	921	5.43	33	38731	36587	35973	35305	33881	32527	31314	29540	25988	22861				
			20	725	5.46	28	41400	38835	38156	37459	35998	34419	32696	29921	24030				
			25	665	5.45	24	40236	37055	36215	35323	33448	31216							
	10	7 1/2	1055	6.07	41	44366	42529	42036	41515	40365	39122	37898	36256	33669	30611	27533			
			20	830	8.17	35	47396	45179	44601	44013	42800	41530	40187	37994	33969	29079			
			25	761	8.18	30	46045	43271	42573	41853	40309	38683	36880						
20	10	914	10.92	41	52193	50192	49674	49149	48074	46963	45807	43970	40557	36831	32389				
		25	838	11.00	35	50704	48179	47555	46921	45595	44173	42694	40203						
C6 Cast Aluminum	10	2	547	2.18	21	27481	25004	24369	23732	22482	21270	19933	17407						
			20	438	2.18	16.3	30074	27145	26404	25587	23578	21633	19815						
			25	401	2.18	15.0	30894	27276	26223	25262	23325	20944							
	10	3	626	3.26	26	31450	29297	28747	28193	27081	25983	24927	23262	19650	15322				
			20	502	3.26	22	34469	31893	31272	30636	29234	27497	25697	23349					
			25	458	3.27	19.3	35285	32305	31362	30417	28711	27033	25083						
	10	5	742	5.42	35	37278	35469	35012	34551	33619	32680	31743	30371	28105	25302	22012			
			20	595	5.44	28	40855	38652	38125	37602	36545	35421	34132	31844	28386				
			25	544	5.45	26	41911	39556	38855	38094	36492	35000	33608	31425	26682				
	10	7 1/2	849	8.16	44	42654	41076	40678	40279	39474	38660	37841	36611	34610	32648	30402	24738		
			20	681	8.16	34	46760	44822	44351	43888	42973	42052	41095	39497	36208	33168	30135		
			25	622	8.15	31	47920	45914	45361	44764	43449	42044	40694	38843	35655	31642			
15	10	832	11.03	51	49026	47453	47062	46671	45901	45145	44394	43258	41253	39002	36650	32231			
		20	749	11.04	42	51429	49664	49228	48800	47961	47130	46292	44980	42402	39333	36604			
		25	685	11.04	37	52774	50974	50492	49989	48884	47662	46385	44558	41781	38777	35116			
Z5 Fabricated Steel	30	1 1/2	395	1.61	16.8	27789	25242	24517	23757	22164	20353								
			45	302	1.64	13.7	30565	26313	24965	23287									
	30	2	435	2.16	19.6	30603	28333	27702	27043	25648	24184	22534							
			45	333	2.20	16.1	33702	29964	28856	27632									
	30	3	498	3.24	24	35035	33088	32566	32023	30879	29666	28406	26363						
			45	381	3.30	19.8	38560	35365	34497	33560	31447	28584							
	30	5	591	5.42	31	41578	39963	39540	39108	38212	37268	36278	34723	31972	28369				
			45	452	5.50	27	45746	43085	42398	41690	40177	38481	36555						
40	7 1/2	554	8.25	33	51982	49960	49457	48955	47944	46904	45803	43923	39963	34544					
		45	517	8.25	33	52324	50009	49420	48823	47591	46278	44840	42440						
35	10	673	10.98	44	55209	53787	53419	53045	52280	51485	50658	49354	47016	44463	41595	34256			
		40	608	10.91	40	57048	55207	54746	54288	53372	52447	51497	49978	46942	43096	38052			
		45	569	11.02	38	57587	55488	54956	54421	53330	52198	51003	49033	45157					

NOTES:

1. Performance certified is for installation type A: Free inlet, free outlet.
2. Power rating (BHP) does not include transmission losses.
3. Performance ratings do not include the effects of appurtenances (accessories) in the airstream.
4. The sound ratings shown are loudness values in fan sones at 5 ft. (1.5m) in a hemispherical free field calculated per AMCA Standard 301. Values are for installation Type A: Free inlet hemispherical sone levels.

Models LHD/LHB/LHDF/LHBF



SIZE	A		B		C		D	
	LHD/LHB	LHDF/LHBF	LHD/LHB	LHDF/LHBF	LHD/LHB	LHDF/LHBF	LHD/LHB	LHDF/LHBF
14	22.75	---	12.75	---	10.00	---	40.00	---
16	22.75	---	12.75	---	10.00	---	40.00	---
18	22.75	---	12.75	---	10.00	---	48.00	---
21	26.75	27.00	15.75	16.00	11.00	11.00	54.00	54.00
24	28.75	29.00	17.75	18.00	11.00	11.00	66.00	66.00
30	33.75	34.00	19.75	20.00	14.00	14.00	75.00	78.00
36	39.25	39.50	21.75	22.00	17.50	17.50	88.00	94.00
42	42.25	42.50	23.75	24.00	18.50	18.50	86.00	93.00
48	43.25	43.50	23.75	24.00	19.50	19.50	93.00	112.00
54	46.25	46.50	23.75	24.00	22.50	22.50	112.00	124.00
60	49.75	50.00	26.25	26.50	23.50	23.50	124.00	136.00

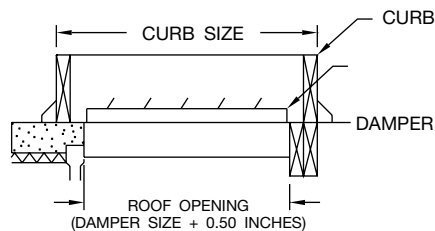
SIZE	E SQ.		F		G		H	
	LHD/LHB	LHDF/LHBF	LHD/LHB	LHDF/LHBF	LHD/LHB	LHDF/LHBF	LHD/LHB	LHDF/LHBF
14	21.50	---	39.00	---	40.25	---	27.50	---
16	24.50	---	39.00	---	40.25	---	27.50	---
18	26.50	---	51.00	---	40.25	---	27.50	---
21	29.50	29.50	51.00	51.00	44.25	44.50	28.50	28.50
24	32.50	32.50	63.00	63.00	46.25	46.50	28.50	28.50
30	40.50	40.50	75.00	87.00	51.25	51.50	31.50	31.50
36	46.50	46.50	87.00	87.00	56.75	57.00	35.00	35.00
42	52.50	52.50	99.00	99.00	59.75	60.00	36.00	36.00
48	58.50	58.50	111.00	111.00	60.75	61.00	37.00	37.00
54	64.50	64.50	111.00	123.00	63.75	64.00	40.00	40.00
60	70.50	70.50	123.00	135.00	67.25	67.50	41.00	41.00

D4860-1B D4860-3B
 D4860-2B D4860-4B

NOTES:
 1. Dimensions are not to be used for construction.



Roof Curb



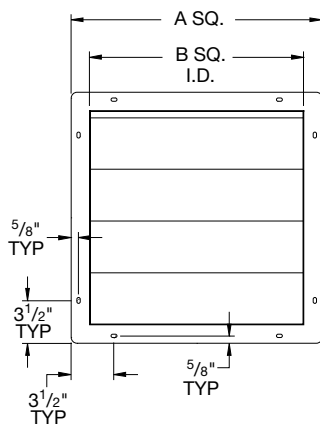
SIZE	CANTED CURB SIZE	SELF-FLASHING CURB SIZE
14	20.00 x 20.00	20.50 x 20.50
16	23.00 x 23.00	23.50 x 23.50
18	25.00 x 25.00	25.50 x 25.50
21	28.00 x 28.00	28.50 x 28.50
24	31.00 x 31.00	31.50 x 31.50
30	39.00 x 39.00	39.50 x 39.50
36	45.00 x 45.00	45.50 x 45.50
42	51.00 x 51.00	51.50 x 51.50
48	57.00 x 57.00	57.50 x 57.50
54	63.00 x 63.00	63.50 x 63.50
60	69.00 x 69.00	69.50 x 69.50

D4860-1B
D4860-2B

Note:

1. Curbs have 1 1/2" thick insulation, wood nailer (canted) or 3/16" polystyrene gasket (self-flashing) and damper tray as standard. A 12" high curb is required when using a motorized damper.

Backdraft Damper

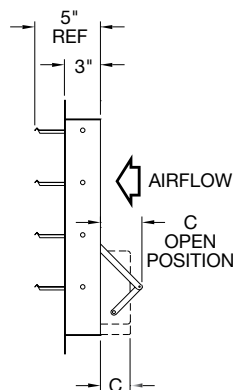


SIZE	A SQ.	B SQ.	C	NO. OF PANELS
14	16.00	13.50	6.00	1
16	19.00	16.50	6.00	1
18	21.00	18.50	6.00	1
21	24.00	21.50	6.00	1
24	27.00	24.50	6.00	1
30	35.00	32.50	6.00	1
36	41.00	38.50	6.00	1
42	47.00	44.50	7.50	2
48	53.00	50.50	7.50	2
54	59.00	56.50	7.50	2
60	65.00	62.50	7.50	2

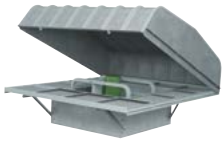
F-DMP-C

Notes:

1. Exhaust damper shown (with front flange).
2. Supply damper has rear flange.







Model LHD

Low Profile Hooded Propeller Roof Ventilators, shall be Model LHD direct drive as manufactured by Twin City Fan & Blower, Minneapolis, Minnesota.

PERFORMANCE — Fans shall be tested in accordance with AMCA test codes for air moving devices and shall be guaranteed by the manufacturer to deliver rated published performance levels. Fans shall be cULus 705 listed for electrical.

CONSTRUCTION — Fan curb caps shall be constructed of heavy gauge galvanized or finish painted steel for durability and appearance. Curb caps shall have a deep formed inlet venturi for efficient airflow and pre-punched holes for easy mounting to the roof curb. Hood and hood support mechanisms shall be heavy gauge galvanized or finish painted steel. Motor mount assemblies shall be constructed of heavy gauge galvanized or finish painted steel.

PROPELLERS — Propellers shall be constructed of fabricated steel or cast aluminum blades and hubs. Propellers on direct drive units shall be mounted directly on the motor shaft with a taperlock bushing.

MOTORS — All motors shall be split phase and capacitor start single phase or three phase induction, permanently lubricated, heavy-duty, ball bearing type, closely matched to the fan load and provided at the voltage, phase, hertz and enclosure as provided on the fan schedule.

FINISH AND COATING — Fans shall have galvanized steel or finish painted steel curb caps, motor supports, hoods and hood supports.

ACCESSORIES — When specified, accessories such as backdraft and motorized dampers, curb extensions, roof curb and disconnect switch shall be provided by Twin City Fan to maintain one source responsibility.

FACTORY RUN TEST — All fans prior to shipment shall be completely assembled and test run as a unit at operating speed or maximum RPM allowed for the particular construction type. Each propeller shall be statically and dynamically balanced in accordance with ANSI/AMCA 204-96 "Balance Quality and Vibration Levels for Fans" to Fan Application Category BV-3, Balance Quality Grade G6.3.

GUARANTEE — The manufacturer shall guarantee the workmanship and materials for its LHD direct drive low profile hooded propeller roof ventilators for at least one (1) year from startup or eighteen (18) months from shipment, whichever occurs first.





Model LHB

Low Profile Hooded Propeller Roof Ventilators, shall be Model LHB belt driven as manufactured by Twin City Fan & Blower, Minneapolis, Minnesota.

PERFORMANCE — Fans shall be tested in accordance with AMCA test codes for air moving devices and shall be guaranteed by the manufacturer to deliver rated published performance levels. Fans shall be cULus 705 listed for electrical.

CONSTRUCTION — Fan curb caps shall be constructed of heavy gauge galvanized or finish painted steel for durability and appearance. Curb caps shall have a deep formed inlet venturi for efficient airflow and pre-punched holes for easy mounting to the roof curb. Hood and hood support mechanisms shall be heavy gauge galvanized steel. Motor mount assemblies shall be constructed of heavy gauge galvanized or finish painted steel.

PROPELLERS — Propellers shall be constructed of fabricated steel or cast aluminum blades and hubs. Propellers on belt driven units shall be welded to the fan shaft or secured to the fan shaft with a taperlock bushing.

SHAFTS — Shafts shall be AISI 1045 cold rolled steel, accurately turned, ground, polished, and ring gauged for accuracy. Shafts shall be sized for the first critical speed of at least 1.43 times the maximum speed.

BEARINGS — Bearings are to be pillow block, heavy-duty, anti-friction, self-aligning, grease lubricated, ball type. Each fan's bearings are sized with a minimum average life, per AFBMA, in excess of 200,000 hours when operating at the maximum RPM of the fan size.

DRIVES — Motor sheaves shall be cast iron, and supplied as variable pitch standard. Drives and belts shall be rated for a minimum of 150% of the required motor HP.

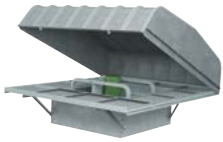
MOTORS — All motors shall be single phase or three phase induction, permanently lubricated, heavy-duty, ball bearing type, closely matched to the fan load and provided at the voltage, phase, hertz and enclosure as provided on the fan schedule.

FINISH AND COATING — Fans shall have galvanized steel or finish painted steel curb caps, motor supports, hoods and hood supports.

ACCESSORIES — When specified, accessories such as backdraft and motorized dampers, curb extensions, roof curbs and disconnect switches shall be provided by Twin City Fan to maintain one source responsibility.

FACTORY RUN TEST — All fans prior to shipment shall be completely assembled and test run as a unit at operating speed or maximum RPM allowed for the particular construction type. Each propeller shall be statically and dynamically balanced in accordance with ANSI/AMCA 204-96 "Balance Quality and Vibration Levels for Fans" to Fan Application Category BV-3, Balance Quality Grade G6.3. Balance readings shall be taken by electronic type equipment in the axial, vertical, and horizontal directions on each of the bearings. Records shall be maintained and a written copy shall be available upon request.

GUARANTEE — The manufacturer shall guarantee the workmanship and materials for its belt driven LHB low profile hooded propeller roof ventilators for at least one (1) year from startup or eighteen (18) months from shipment, whichever occurs first.



Model LHDF

Low Profile Hooded Propeller Roof Ventilators, shall be Type LHDF direct drive filtered supply as manufactured by Twin City Fan & Blower, Minneapolis, Minnesota.

PERFORMANCE — Fans shall be tested in accordance with AMCA test codes for air moving devices and shall be guaranteed by the manufacturer to deliver rated published performance levels. Fans shall be cULus 705 listed for electrical.

CONSTRUCTION — Fan curb caps shall be constructed of heavy gauge galvanized or finish painted steel for durability and appearance. Curb caps shall have a deep formed inlet venturi for efficient airflow and pre-punched holes for easy mounting to the roof curb. Hood and hood support mechanisms shall be heavy gauge galvanized or finish painted steel. Motor mount assemblies shall be constructed of heavy gauge galvanized or finish painted steel.

PROPELLERS — Propellers shall be constructed of fabricated steel or cast aluminum blades and hubs. Propellers on direct drive units shall be mounted directly on the motor shaft with a taperlock bushing.

MOTORS — All motors shall be split phase and capacitor start single phase or three phase induction, permanently lubricated, heavy-duty, ball bearing type, closely matched to the fan load and provided at the voltage, phase, hertz and enclosure as provided on the fan schedule.

FINISH AND COATING — Fans shall have galvanized steel or finish painted steel curb caps, motor supports, hoods and hood supports.

ACCESSORIES — When specified, accessories such as backdraft and motorized dampers, curb extensions, roof curb and disconnect switch shall be provided by Twin City Fan to maintain one source responsibility.

FACTORY RUN TEST — All fans prior to shipment shall be completely assembled and test run as a unit at operating speed or maximum RPM allowed for the particular construction type. Each propeller shall be statically and dynamically balanced in accordance with ANSI/AMCA 204-96 "Balance Quality and Vibration Levels for Fans" to Fan Application Category BV-3, Balance Quality Grade G6.3.

GUARANTEE — The manufacturer shall guarantee the workmanship and materials for its LHDF direct drive low profile hooded propeller roof ventilators for at least one (1) year from startup or eighteen (18) months from shipment, whichever occurs first.





Model LHBF

Low Profile Hooded Propeller Roof Ventilators, shall be Type LHBF belt driven filtered supply as manufactured by Twin City Fan & Blower, Minneapolis, Minnesota.

PERFORMANCE — Fans shall be tested in accordance with AMCA test codes for air moving devices and shall be guaranteed by the manufacturer to deliver rated published performance levels. Fans shall be cULus 705 listed for electrical.

CONSTRUCTION — Fan curb caps shall be constructed of heavy gauge galvanized or finish painted steel for durability and appearance. Curb caps shall have a deep formed inlet venturi for efficient airflow and pre-punched holes for easy mounting to the roof curb. Hood and hood support mechanisms shall be heavy gauge galvanized steel. Motor mount assemblies shall be constructed of heavy gauge galvanized or finish painted steel.

PROPELLERS — Propellers shall be constructed of fabricated steel or cast aluminum blades and hubs. Propellers on belt driven units shall be welded to the fan shaft or secured to the fan shaft with a taperlock bushing.

SHAFTS — Shafts shall be AISI 1045 cold rolled steel, accurately turned, ground, polished, and ring gauged for accuracy. Shafts shall be sized for the first critical speed of at least 1.43 times the maximum speed.

BEARINGS — Bearings are to be pillow block, heavy-duty, anti-friction, self-aligning, grease lubricated, ball type. Each fan's bearings are sized with a minimum average life, per AFBMA, in excess of 200,000 hours when operating at the maximum RPM of the fan size.

DRIVES — Motor sheaves shall be cast iron, and supplied as variable pitch standard. Drives and belts shall be rated for a minimum of 150% of the required motor HP.

MOTORS — All motors shall be single phase or three phase induction, permanently lubricated, heavy-duty, ball bearing type, closely matched to the fan load and provided at the voltage, phase, hertz and enclosure as provided on the fan schedule.

FINISH AND COATING — Fans shall have galvanized steel or finish painted steel curb caps, motor supports, hoods and hood supports.

ACCESSORIES — When specified, accessories such as backdraft and motorized dampers, curb extensions, roof curbs and disconnect switches shall be provided by Twin City Fan to maintain one source responsibility.

FACTORY RUN TEST — All fans prior to shipment shall be completely assembled and test run as a unit at operating speed or maximum RPM allowed for the particular construction type. Each propeller shall be statically and dynamically balanced in accordance with ANSI/AMCA 204-96 "Balance Quality and Vibration Levels for Fans" to Fan Application Category BV-3, Balance Quality Grade G6.3. Balance readings shall be taken by electronic type equipment in the axial, vertical, and horizontal directions on each of the bearings. Records shall be maintained and a written copy shall be available upon request.

GUARANTEE — The manufacturer shall guarantee the workmanship and materials for its belt driven LHBF low profile hooded propeller roof ventilators for at least one (1) year from startup or eighteen (18) months from shipment, whichever occurs first.

INDUSTRIAL PROCESS AND COMMERCIAL VENTILATION SYSTEMS

CENTRIFUGAL FANS | UTILITY SETS | PLENUM & PLUG FANS | INLINE CENTRIFUGAL FANS
MIXED FLOW FANS | TUBEAXIAL & VANEAXIAL FANS | PROPELLER WALL FANS | PROPELLER ROOF VENTILATORS
CENTRIFUGAL ROOF & WALL EXHAUSTERS | CEILING VENTILATORS | GRAVITY VENTILATORS | DUCT BLOWERS
RADIAL BLADED FANS | RADIAL TIP FANS | HIGH EFFICIENCY INDUSTRIAL FANS | PRESSURE BLOWERS
LABORATORY EXHAUST FANS | FILTERED SUPPLY FANS | MANCOOLERS | FIBERGLASS FANS | CUSTOM FANS



TWIN CITY FAN & BLOWER
WWW.TCF.COM

5959 TRENTON LANE N | MINNEAPOLIS, MN 55442 | PHONE: 763-551-7600 | FAX: 763-551-7601

©2018 Twin City Fan Companies, Ltd., Minneapolis, MN. All rights reserved. Catalog illustrations cover the general appearance of Twin City Fan & Blower products at the time of publication and we reserve the right to make changes in design and construction at any time without notice.