

ASEPTIC 2-WAY DIAPHRAGM VALVE

Standard, Compact, Manual or Pneumatically Actuated

SPECIFICATIONS AND FEATURES*

Available Sizes:

- » Compact Valve: 1/4", 3/8", 1/2" (DN8, DN10, DN15)
- » Standard Valve: 1/2" - 4" (DN15 - DN100)

Connection Type:

- » All forged 2-way valves have integral tri-clamp or weld end connections - no welding required during manufacture
- » Compact Valve: Tri-clamp, Extended Tube End, standard; optional connections including Hose Barb upon request
- » Standard Valve: Tri-clamp, Extended Tube End

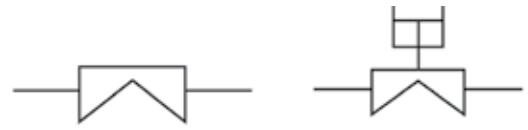
Materials:

- » Standard: Forged EN 10272:2000 GR 1.4435 316L
- » Optional: Contact factory

Surface Finish:

- » Wetted Interior:
 - Standard:
 - ASME BPE SF1, 20 Ra μm (0,5 Ra μm)
 - ASME BPE SF5, 20 Ra μm (0,5 Ra μm), Electropolish
 - Optional:
 - ASME BPE SF4, 15 Ra μm (0,4 Ra μm) Electropolish. Better finish upon request.
- » Exterior:
 - Standard: 63 Ra μm (1,6 Ra μm)

* See page 6 & 7 for GENERAL FEATURES, GENERAL SPECIFICATIONS regarding features and specifications that apply to all valves



APPLICATIONS

Single Valve Wier Manual on/off or Air Actuated Flow Control of Drug Process Additives, Drug Product and Clean Utilities

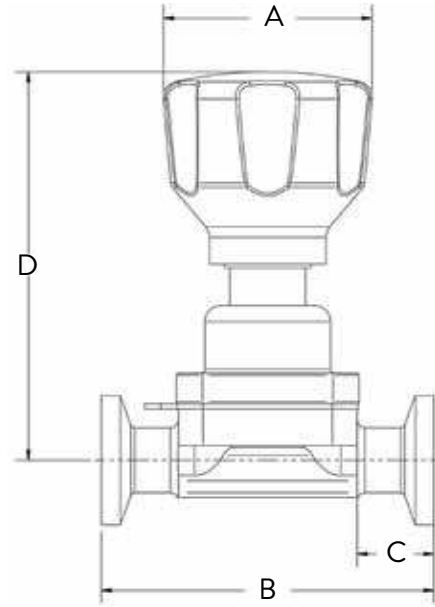
- » Upstream:
 - Bioreactor/Fermenter: For control of WFI, growth media, intermediate drug product, clean dry air and gas, clean steam and clean utility fluids
 - Perfused Bioreactors: Retentate or permeate fluid control
- » Downstream:
 - For control of WFI, buffers, solvent, intermediate and finished drug product, clean dry air and gas, clean steam, and clean utility fluids in the following production area
 - Separation
 - Filtration
 - Chromatography
 - Formulation
 - Fill Finish
- » Buffer and Media prep:
 - For control of WFI, buffers, growth media, clean steam and clean utility fluids

DIMENSIONS (COMPACT FORGED 2 WAY VALVES)

INCHES				
SIZE	A	B	C	D
1/4"	1.609	2.563	0.594	2.989
1/2"	1.609	2.563	0.594	2.989

METRIC				
SIZE	A	B	C	D
DN8	40,87	65,10	15,09	75,9
DN10	40,87	65,10	15,09	75,9

1/4" -1/ 2" TRI-CLAMP ENDS



DIMENSIONS (STANDARD FORGED 2 WAY VALVES)

INCHES				
SIZE	A	B	C	D
1/2"	3.0	3.5	13/16	3.61
3/4"	3.0	4.0	27/32	4.00
1"	3.0	4.5	31/32	4.41
1-1/2"	4.75	5.5	15/16	6.72
2"	4.75	6.25	1.0	7.67

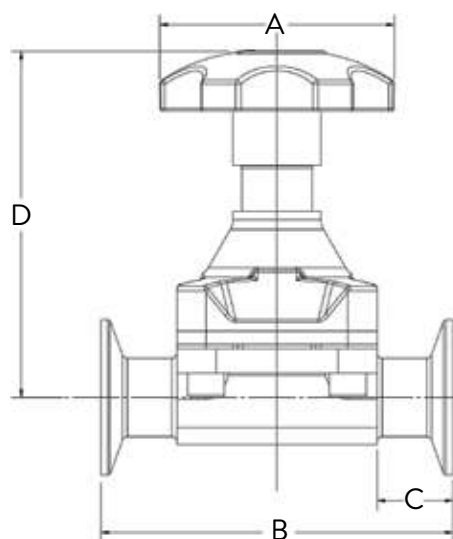
METRIC				
SIZE	A	B	C	D
DN15	76,2	88,9	20,6	91,6
DN20	76,2	101,6	21,4	101,6
DN32	76,2	114,3	24,6	112,0
DN40	120,7	139,7	23,8	170,7
DN50	120,7	158,8	25,4	194,8

INCHES				
SIZE	A	B	C	D
2-1/2"	8.0	8.25	1.0	9.5
3"	8.0	8.75	1.25	10.09
4"	10.0	11.5	1.2	11.44

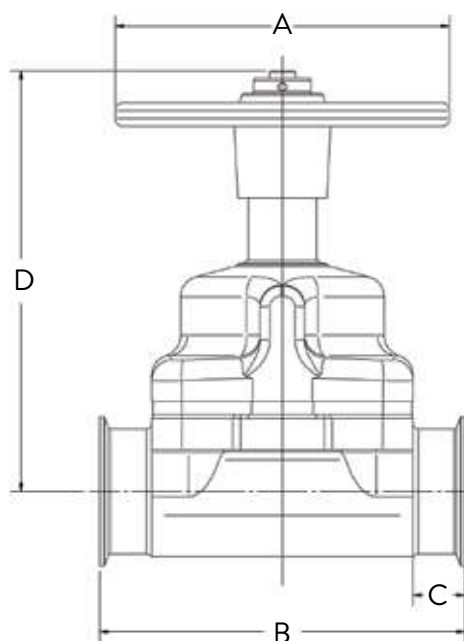
METRIC				
SIZE	A	B	C	D
DN65	203	210	25,4	241
DN80	203	222	31,75	256
DN100	254	292	30,48	291

Please Contact Factory for dimensions of Compact Forged 2-way valves.

1/2" - 2" TRI-CLAMP ENDS



2-1/2" - 4" TRI-CLAMP ENDS



DIMENSIONS (STANDARD FORGED 2 WAY VALVES)

INCHES				
SIZE	A	B	C	D
1/2"	3.0	4.25	1.1875	3.61
3/4"	3.0	4.625	1.1563	3.98
1"	3.0	5.0	1.2188	4.31
1-1/2"	4.75	6.25	1.3125	6.76
2"	4.75	7.25	1.5	7.61

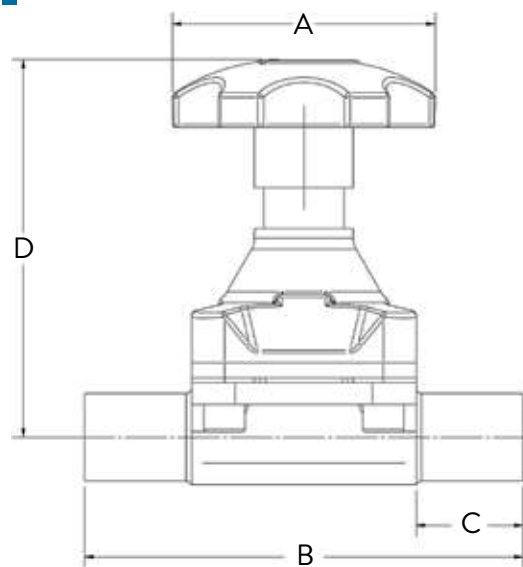
METRIC				
SIZE	A	B	C	D
DN15	76,2	108	30,16	91,6
DN20	76,2	117	29,37	101,1
DN32	76,2	127	30,96	109
DN40	120,7	159	33,34	178
DN50	120,7	184	38,1	193

INCHES				
SIZE	A	B	C	D
2-1/2"	8.0	9.25	1.5	10.09
3"	8.0	10.0	1.875	10.09
4"	10.0	12.5	1.7	11.44

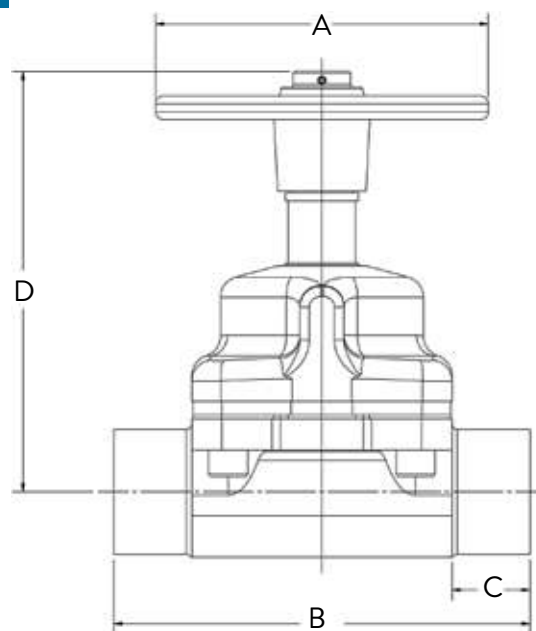
METRIC				
SIZE	A	B	C	D
DN65	203	235	38,1	256
DN80	203	254	47,6	256
DN100	254	318	43,2	290

Please Contact Factory for dimensions of Compact Forged 2-way valves.

1/2" - 2" TUBE ENDS



2-1/2" - 4" TUBE ENDS



ORDERING SCHEMATIC (STANDARD & COMPACT FORGED 2 WAY VALVES)

MODEL	TYPE	SIZE	CONNECTION	FINISH	ACTUATION	DIAPHRAGM	ACCESSORIES
SV							

1	TYPE
1	Standard Forged 2-Way
2	Compact Forged 2-Way

2	SIZE
1	1/4" Compact
2	3/8" Compact
3	1/2" Compact
4	1/2"
5	3/4"
6	1"
7	1-1/2"
8	2"
9	2-1/2"
A	3"
B	4"

3	CONNECTION
1	OD Tube
2	Clamp
3	OD Tube x Clamp
Z	Non-standard

4	FINISH
1	SF1 20Ra
2	SF4 15Ra EP
3	SF5 20Ra
Z	Non-standard, consult factory

5	ACTUATION
1	Manual
2	Manual Vented
3	Spring to Close
4	Spring to Open
5	Double Acting
6	Eclipse, Spring to Close (1/2" - 2" standard)
7	Eclipse, Spring to Open (1/2" - 2" standard)

6	DIAPHRAGM
1	EPDM
2	TFM/EPDM
Z	Non-standard

7	ACCESSORIES
1	Switch 2 Position
2	Positioner 4-20 mA
Z	Non-standard, consult factory