

# ZERO STATIC TEE BLOCK VALVE

Manual or Pneumatically Actuated Inline Barstock Zero Static Use Point Valve

## SPECIFICATIONS AND FEATURES\*

### Available Sizes:

- » Run Connections: 1/2" - 4" (DN15 - DN100)
- » Drop Connection: 1/2" - 4" (DN15 - DN100); drop connection must be  $\leq$  the run connection

### Connection Type:

- » Tri-clamp, Extended Tube End standard. Other drop connection types available upon request
- » Additional ports or tandem access configurations available as special options

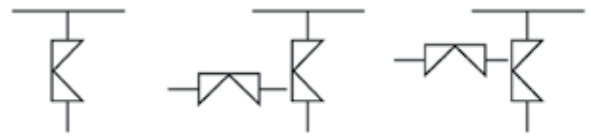
### Materials:

- » Standard: Barstock, ASME SA479 316L (UNS 31603) or EN 10272:2000 GR 1.4435
- » Optional: AL-6XN®, Hastelloy® C-22 and others readily available

### Surface Finish:

- » Wetted Interior:
  - Standard:
    - ASME BPE SF1, 20 Ra  $\mu\text{in}$  (0,5 Ra  $\mu\text{m}$ )
    - ASME BPE SF5, 20 Ra  $\mu\text{in}$  (0,5 Ra  $\mu\text{m}$ ) Electropolish.
  - Optional:
    - ASME BPE SF4, 15 Ra  $\mu\text{in}$  (0,4 Ra  $\mu\text{m}$ ) Electropolish. Better finish upon request
- » Exterior:
  - Standard: 40 Ra  $\mu\text{in}$  (1,0 Ra  $\mu\text{m}$ ) and better as option
  - Optional: 20 Ra in (0,5 Ra m) and better upon request

\* See page 6 & 7 for GENERAL FEATURES, GENERAL SPECIFICATIONS regarding features and specifications that apply to all valves



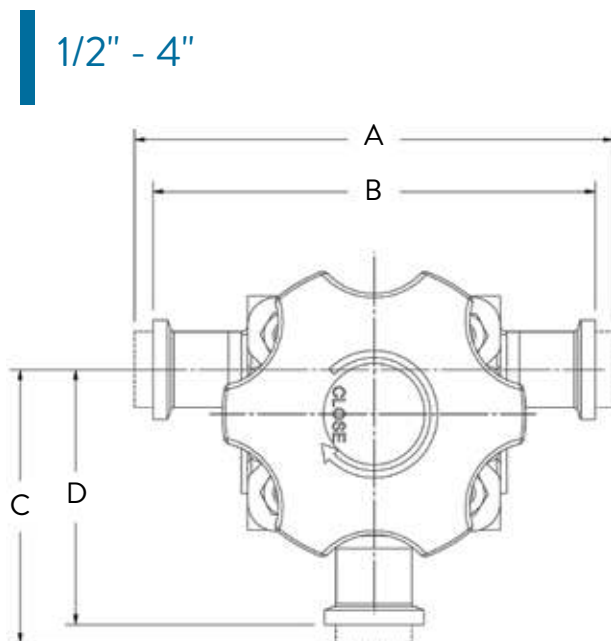
## APPLICATIONS

Single Weir Zero Static Use Point for Manual on/off or Air Actuated Flow Control for Transfer or Diversion of Drug Process Additives, WFI and other critical system fluids

- » Upstream:
  - Bioreactor/Fermenter: For sampling or transfer of critical process fluids, inputs or WFI upstream of, and prior to opening the main valve
- » Downstream:
  - For sampling or transfer of critical process fluids, buffers, or WFI upstream of and prior to, opening the main valve in the following areas:
    - Separation
    - Filtration
    - Chromatography
    - Formulation
    - Fill Finish
- » Buffer and Media Prep:
  - For sampling or transfer of critical process fluids, buffers or WFI upstream of, and prior to opening the main valve

## DIMENSIONS (ZERO STATIC TEE BLOCK VALVE)

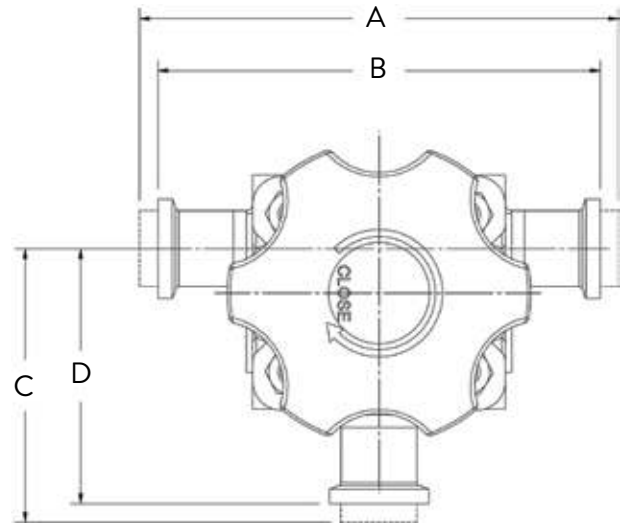
INCHES					
RUN SIZE	DROP SIZE	TUBE A	CLAMP B	TUBE C	CLAMP D
1/2"	1/2"	5.375	3.375	2.918	1.918
3/4"	1/2"	5.375	3.375	3.045	2.045
	3/4"	5.875	3.875	3.285	2.285
1"	1/2"	5.375	4.625	3.17	2.17
	3/4"	5.875	4.625	3.17	2.17
	1"	6.25	5.5	3.578	3.203
1-1/2"	1/2"	5.375	4.625	3.42	2.42
	3/4"	5.875	5.125	3.657	2.657
	1"	6.25	5.5	3.578	3.455
	1-1/2"	7.375	6.625	4.405	4.03
2"	1/2"	5.375	4.625	3.67	2.67
	3/4"	5.875	5.125	3.907	2.907
	1"	6.25	5.5	4.08	3.705
	1-1/2"	7.375	6.625	4.654	4.279
	2"	8.375	7.625	5.086	4.711
2-1/2"	1/2"	5.375	4.625	3.92	2.92
	3/4"	5.875	5.125	4.158	3.158
	1"	6.25	5.5	4.33	3.955
	1-1/2"	7.375	6.625	4.904	4.529
	2"	8.375	7.625	5.331	4.956
	2-1/2"	9.125	8.375	5.819	5.444
3"	1/2"	5.875	4.625	4.17	3.17
	3/4"	6.375	5.125	4.408	3.408
	1"	6.75	5.5	4.58	4.205
	1-1/2"	7.875	6.625	5.154	4.779
	2"	8.875	7.625	5.581	5.206
	2-1/2"	9.625	8.375	6.07	5.695
	3"	11.375	10.125	6.817	6.192
4"	1/2"	8.375	4.625	4.652	3.652
	3/4"	8.875	5.125	4.89	3.89
	1"	9.25	5.5	5.063	4.688
	1-1/2"	10.375	6.625	5.633	5.258
	2"	11.375	7.625	6.062	5.687
	2-1/2"	12.125	8.375	6.553	6.178
	3"	13.88	10.125	7.299	6.674
	4"	15.38	11.63	8.99	8.112



## DIMENSIONS (ZERO STATIC TEE BLOCK VALVE)

METRIC					
RUN SIZE	DROP SIZE	TUBE A	CLAMP B	TUBE C	CLAMP D
DN15	DN15	136,53	85,73	74,12	48,72
DN20	DN15	136,53	85,73	77,34	51,94
	DN20	149,23	98,43	83,44	58,04
DN32	DN15	136,53	117,48	80,52	55,12
	DN20	149,23	117,48	80,52	55,12
	DN32	158,75	139,7	90,88	81,36
DN40	DN15	136,53	117,48	86,87	61,47
	DN20	149,23	130,18	92,89	67,49
	DN32	158,75	139,7	90,88	87,76
	DN40	187,33	168,28	111,89	102,36
DN50	DN15	136,53	117,48	93,22	67,82
	DN20	149,23	130,18	99,24	73,84
	DN32	158,75	139,7	103,63	94,11
	DN40	187,33	168,28	118,21	108,69
	DN50	212,73	193,68	129,18	119,66
DN65	DN15	136,53	117,48	99,67	74,17
	DN20	149,23	130,18	105,61	80,21
	DN32	158,75	139,7	109,98	100,46
	DN40	187,33	168,28	124,56	115,04
	DN50	212,73	193,68	135,41	125,90
	DN65	231,78	212,73	147,80	138,28
DN80	DN15	149,23	117,48	105,92	80,52
	DN20	161,93	130,18	111,96	86,56
	DN32	171,45	139,7	116,33	106,81
	DN40	200,03	168,28	130,91	121,39
	DN50	225,43	193,68	141,76	132,23
	DN65	244,48	212,73	154,18	144,65
	DN80	288,93	257,18	173,15	157,28
DN100	DN15	212,73	117,48	118,16	92,76
	DN20	225,98	130,18	124,21	98,81
	DN32	235,95	139,7	128,60	119,08
	DN40	263,53	168,28	143,08	133,55
	DN50	212,73	193,68	153,97	144,45
	DN65	307,98	212,73	166,45	156,92
	DN80	352,43	257,18	185,39	169,52
	DN100	390,53	295,28	228,27	206,04

### DN15 - DN100



## ORDERING SCHEMATIC (ZERO STATIC TEE BLOCK VALVE)

MODEL	TYPE	SIZE	RUN SIZE	CONNECTION	DROP SIZE	CONNECTION	FINISH	ACTUATION	DIAPHRAGM	ACC'Y
SV										

1	TYPE
4	Zero Static Tee

2	RUN SIZE
4	1/2"
5	3/4"
6	1"
7	1-1/2"
8	2"
9	2-1/2"
A	3"
B	4"

3	CONNECTION
1	OD Tube
2	Clamp
Z	Non-standard

4	DROP SIZE
4	1/2"
5	3/4"
6	1"
7	1-1/2"
8	2"
9	2-1/2"
A	3"
B	4"

5	CONNECTION
1	OD Tube
2	Clamp
Z	Non-standard

6	FINISH
1	SF1 20Ra
2	SF4 15Ra EP
3	SF5 20Ra EP
Z	Non-standard

7	ACTUATION
1	Manual
2	Manual Vented
3	Spring to Close
4	Spring to Open
5	Double Acting
6	Eclipse, Spring to Close (1/2" - 2" standard)
7	Eclipse, Spring to Open (1/2" - 2" standard)

8	DIAPHRAGM
1	EPDM
2	TFM/EPDM
Z	Non-standard

9	ACCESSORIES
1	Switch 2 Position
2	Positioner 4-20 mA
Z	Non-standard, consult factory

Please Contact Factory for special configurations or connection sizes. All queries are welcome.