

# Air Purger (Scoop)

For removal of entrained air in hydronic and pumping systems. Helps prolong life of heating or cooling systems. Provides protection against possible pipe damage and system noise.

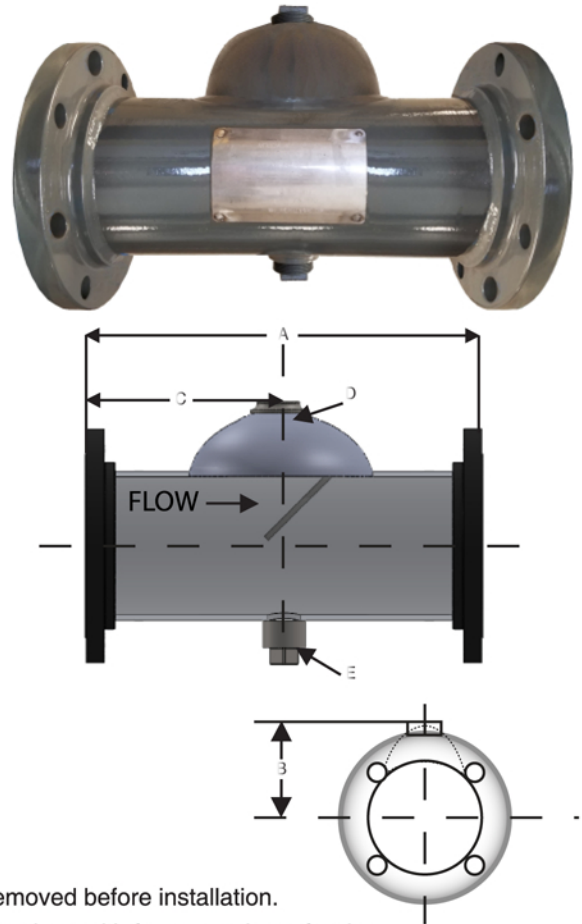
## Features:

- Carbon Steel construction
- Available in sizes from 3" to 24"
- Maximum working pressure of 150 psig
- Maximum operating temperature of 345°F
- Non A.S.M.E.

## Optional Features:

- Higher pressures available
- For 304 Stainless Steel add SS to part number

We recommended adding our High Capacity Air Vent Part #ARO-75 for automatic air removal.



All packaging materials, thread protectors, plastic plugs and caps must be removed before installation.

Dimensions are subject to change without notice, please confirm actual dimensions with factory at time of order.

PART NUMBER	SYSTEM CONNECT	LENGTH A (IN.)	HEIGHT B (IN.)	FLG TO CTR C (IN.)	NPT D (IN.)	NPT E (IN.)	WEIGHT LBS.
AP-003*	3"	12 1/4	5 3/8	6 1/8	3/4	1/2	42
AP-004	4"	14 1/4	6 5/8	7 1/8	3/4	1/2	51
AP-005	5"	15	5 3/8	7 1/2	1 1/2	1 1/2	65
AP-006	6"	18	6 1/2	9	1 1/2	1 1/2	86
AP-008	8"	24	9 1/2	12	1 1/2	1 1/2	138
AP-010	10"	30	11	15	1 1/2	1 1/2	240
AP-012	12"	36	13 1/4	18	1 1/2	1 1/2	352
AP-014*	14"	42	14 1/4	21	1 1/2	1 1/2	434
AP-016*	16"	48	15 5/8	24	1 1/2	1 1/2	532
AP-018*	18"	54	17 3/4	27	1 1/2	1 1/2	661
AP-020*	20"	60	20 3/8	30	1 1/2	1 1/2	828
AP-024*	24"	66	25 1/4	33	1 1/2	1 1/2	1028

\* Non-stock items

JOB NAME \_\_\_\_\_  
 LOCATION \_\_\_\_\_  
 \_\_\_\_\_  
 \_\_\_\_\_  
 CONTRACTOR \_\_\_\_\_  
 CONTRACTOR P.O. NO. \_\_\_\_\_

ITEMS	QUANTITY
_____	_____
_____	_____
_____	_____
_____	_____
_____	_____



2701 W. Concord Street  
 Broken Arrow, OK 74012  
 Toll Free: 866-204-5229  
 PH: 918-317-0401  
 FAX: 918-317-0407  
 www.wheatleyhvac.com  
 e-mail: sales@globalflowproducts.com

**Pressure Drop Chart for In-Line Air Purgers**

