

Web-based building management made easy



iWorX® lowers building ownership costs and increases asset values.

The iWorX Difference

iWorX from Taco Electronic Solutions is the first affordable web-based building management, monitoring and control system that eliminates the expensive cost cycle typically associated with BMS systems. With iWorX, there are no UPGRADE Fees, no expensive software to buy and no service contracts. With iWorX, **the first cost is the last cost.**

Increases Asset Values

iWorX not only saves energy. By eliminating upgrade fees, software costs and expensive maintenance contracts, iWorX lowers building operating costs and increases a building's value. Lower operating costs increase the Net Operating Income of a property, a critical component in calculating a building's asset valuation. In fact, at a 7%

capitalization rate in today's real estate market, every dollar of increased Net Operating Income results in a \$14.28 increase in the building's valuation. In a typical building, saving \$10,000 in fees and service calls results in an increase of \$142,857 to a building owner. iWorX is a true value added component to any building.

Lowers Life Cycle Costs/ Simplifies Service Calls

Typical BMS systems require multiple contractors to service a building. iWorX's simple, self configuring network, eliminates the need for custom programming, software, expensive commissioning fees and time consuming service calls. Because iWorX can be installed and serviced by most HVAC and mechanical contractors, iWorX provides a single source solution

for HVAC systems. No more finger pointing. Your local contractor is your comfort specialist. This "One Call to Comfort" approach significantly reduces the Life Cycle cost of Building Control Systems.

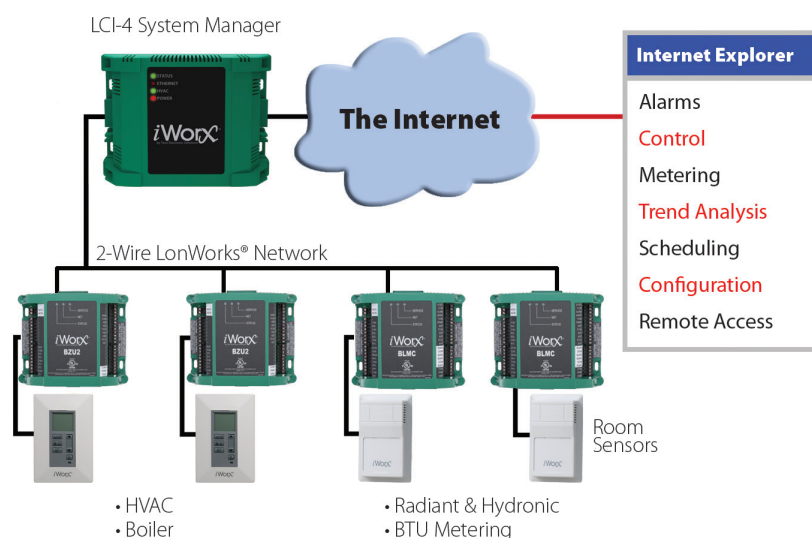
How it works

Designed specifically for the commercial and high-end residential markets, iWorX delivers a flexible, easily- scalable means of complete building control for both single locations and multi-building, multi-site installations from retail stores, offices and restaurants to apartments, religious buildings and single family residences. As a single source, fully integrated HVAC system control package, iWorX can reduce equipment operating and maintenance costs while maximizing building comfort and owner asset value.

Freedom from proprietary platforms

Every iWorX controller is ready to run out of the box. The LON-based, open protocol backbone of iWorX features application- and equipment-based controllers that are pre-programmed. There's no software to buy or learn, no complicated field commissioning, and no subscriptions to buy.

The architecture





from any web-enabled PC. Since iWorX is built around thin client web access you get the exact same look, feel and control ability over the system and its components



Just input set points then start controlling and monitoring the system on-site or through a web-enabled device. You no longer have to feel like you're being held hostage by a controls giant for the life of the building just to get the advanced system performance and cost control you desire.

Self-configuring controllers

When new devices are introduced, the (LCI-4) controller recognizes



and integrates them into the system automatically. Adding more iWorX controllers is as simple as connecting a USB device to your home or office PC. Typically, an iWorX system consists of an LCI-4 local controller plus one or more



equipment specific controllers and/or sensors linked via a 2-wire, non-polarity sensitive LonWorks network. Connection to the internet is made through the LCI-4. Controllers are also available with an iView™ display which allows for easy programming right at the piece of equipment and can be used in a stand-alone capacity or as part of the network. The scalable nature allows them to be mixed and matched to handle the demands of almost any light commercial or high-end residential system.

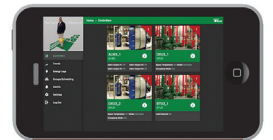
Manage your system from anywhere.

Works with any browser for universal Access! iWorX allows you to take total control over energy usage and HVAC equipment operation

from anywhere in the world. iWorX can even notify you or anyone you choose via e-mail, phone or text message in the event of a system problem or alarm.

Compatible with your iPhone® and iPad®

Our mobile apps mean that iWorX can be accessed and controlled by any web enabled device. It gives a whole new meaning to a front end. You can access and configure all system data and trends right from the convenience of any smart phone or tablet.



iPhone® & iPad® are registered trademarks of Apple Inc.



At last, air & water play nice!

iWorX controllers are available for a broad range of HVAC and hydronic based applications and functions. There are iWorX controls for modulating, staged or single boiler control, for snow melt, radiant zones and mixing control, chilled beams, VAV systems, air handlers, and chillers, to name a few. iWorX controller's one-touch integration, pre-programmed software functionality and easily.

Full integration Capabilities

With the powerful iWorX GCI interface, iWorX can integrate with any existing BMS protocol. BacNet IP BacNet MSTP, Modbus, Lon, N2 can all be integrated with iWorX making it the most flexible platform available. This means that investments in current building controls can be preserved, while adding iWorX to newer applications seamlessly.



Powered by Niagara AX

The iWorX GCI is powered by Niagara AX software. The GCI comes fully loaded with JAR files and Harmony files for integration of iWorX controllers, and all licenses pre-paid to assure simple, and cost effective integration capabilities.

The GCI also provides full graphic presentations of all iWorX controllers on the network for powerful, cost free equipment graphics.

Custom Sequences/ Custom Graphics

The GCI also provides fully programmable sequence capability using standard 16 or 34 I/O devices. This means that any control sequence outside the capability of iWorX can be added to the control network. And, custom graphics can be created to include floor plans, specialized equipment and full system representation on dash boards or typical user front end systems.

Taco Field Assistance

Taco's Factory Professionals are available on a per diem basis when required to assure that iWorX is functioning properly. For more information on Taco's Field Assist program, contact your Taco Electronic Solution Sales Representative.

Selection & specification made easy – online!

We've created an online iWorX Selection Wizard for contractors

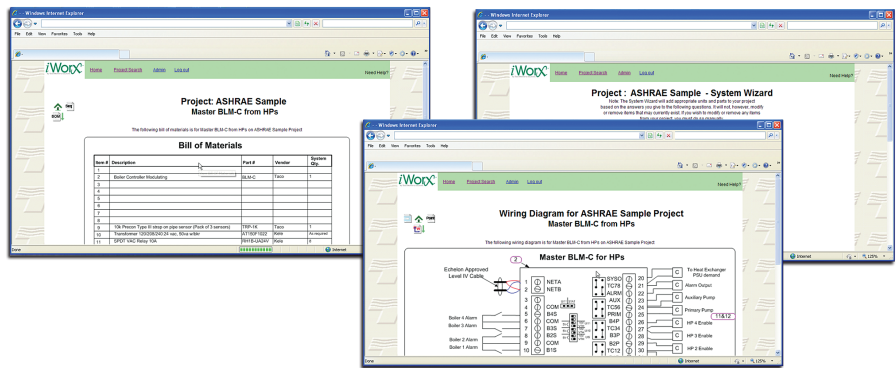
and design engineers that lets you create and specify iWorX projects in minutes. Just answer a few simple questions about the type of job and the iWorX Selection Wizard does the rest. In minutes, you have a complete submittal package that includes wiring and air flow diagrams, bill of materials, sequence of operations, associated instruction manuals and complete job specifications.

Exceptional value, terrific opportunity

For owners and managers of smaller commercial buildings, iWorX provides affordable big- building intelligent control capabilities in a modular, scalable, easy-to-use, internet-enabled system. For HVAC contractors, iWorX systems are a significant means to expand their business with integrated HVAC and smart building control products and services into the new energy, mixed HVAC and hydronic system markets.

Visit us online

Learn more about iWorX at www.TacoComfort.com



©Taco Catalog #500-1.0
Effective Date: 03/29/16
Supersedes: 08/23/13

Taco Electronic Solutions, Inc., 1160 Cranston Street, Cranston, RI 02920 / (401) 942-8000 / Fax (401) 942-2360
Taco (Canada) Ltd., 8450 Lawson Road, Unit #3, Milton, Ontario L9T 0J8 / (905) 564-9422 / Fax (905) 564-9436
www.TacoComfort.com

iWorx and iView are trademarks of Taco, Inc. • Taco Electronic Solutions is a subsidiary of Taco, Inc.
© 2016 Taco Electronic Solutions, Inc. • LON, LONWORKS, & LONMARK are trademarks of Echelon Corporation