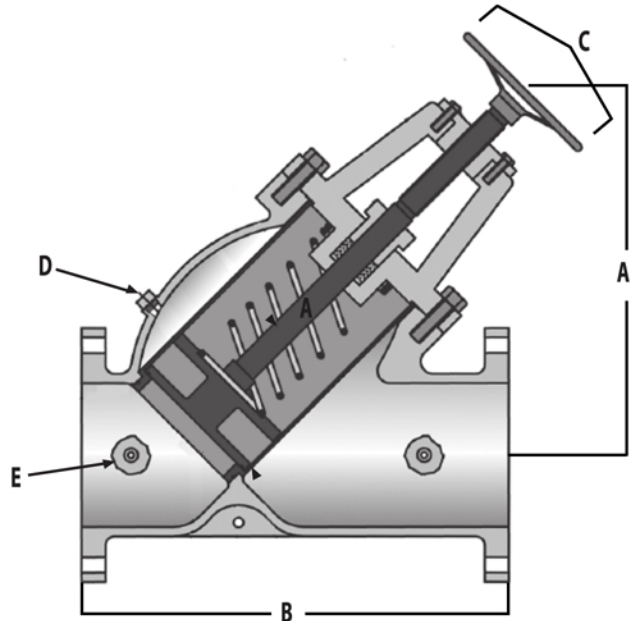


# Globe Style Triple Duty Valve

## Features:

- Available 2.5" through 16"
- 3 valves in one: Shut off valve-Check valve-Balance valve
- ANSI B16.10 Flat Face Flanges
- Spring assisted disc ensures quiet operation and prevents water hammer
- Ductile Iron 65-45-12 Body
- Seat & Seal EPDM Material
- 300 (20.6843) M.A.W.P. PSIG (Bars)  
Sizes <=10"
- 250° F 121° C



PART NUMBER	SIZE		HEIGHT A		LENGTH B		HANDLE WIDTH C		D N.P.T.		E N.P.T.		WEIGHT	
	(IN.)	(MM)	(IN.)	(MM)	(IN.)	(MM)	(IN.)	(MM)	(IN.)	(MM)	(IN.)	(MM)	(LBS)	(KG)
TDV-002GL	2"	50	8 3/8	213	9 3/16	233	6 1/4	159	1/2	15	1/4	8	33	15
TDV-025GL	2 1/2"	65	9 7/8	251	9 5/8	245	6 1/4	159	1/2	15	1/4	8	42	19
TDV-003GL	3"	80	10	254	10 3/8	264	9 3/8	238	1/2	15	1/4	8	59	27
TDV-004GL	4"	100	14 1/2	368	13 5/16	338	9 3/8	238	1/2	15	1/4	8	104	47
TDV-005GL	5"	125	16	406	15 3/16	385	11	279	1/2	15	1/4	8	170	77
TDV-006GL	6"	150	18	457	16 7/8	429	11	279	3/4	20	1/4	8	202	92
TDV-008GL	8"	200	21 1/2	546	21 1/8	537	12 1/2	317	3/4	20	1/4	8	280	127
TDV-010GL	10"	250	25 1/2	648	25 1/4	641	12 1/2	317	1	25	1/4	8	422	191
TDV-012GL	12"	300	30	762	27 1/8	688	12 1/2	317	1	25	1/4	8	816	370
TDV-014GL	14"	350	30 3/8	762	29 5/8	753	12 1/2	317	1	25	1/4	8	1112	504
TDV-016GL	16"	400	37	772	42 13/16	1087	12 1/2	317	1	25	1/4	8	1478	670
TDV-018GL	18"	450	41	1048	46 3/16	1174	15 7/8	406	1	25	1/4	8	1500	680

**NOTE:** B Dimensions are given in full open position.

Valve must be installed with stem/handle in the upward position.

All packaging materials, thread protectors, plastic plugs and caps must be removed before installation.

Dimensions are subject to change without notice, please confirm actual dimensions with factory at time of order.

JOB NAME \_\_\_\_\_  
 LOCATION \_\_\_\_\_  
 \_\_\_\_\_  
 \_\_\_\_\_  
 CONTRACTOR \_\_\_\_\_  
 CONTRACTOR P.O. NO. \_\_\_\_\_

ITEMS	QUANTITY
_____	_____
_____	_____
_____	_____
_____	_____
_____	_____

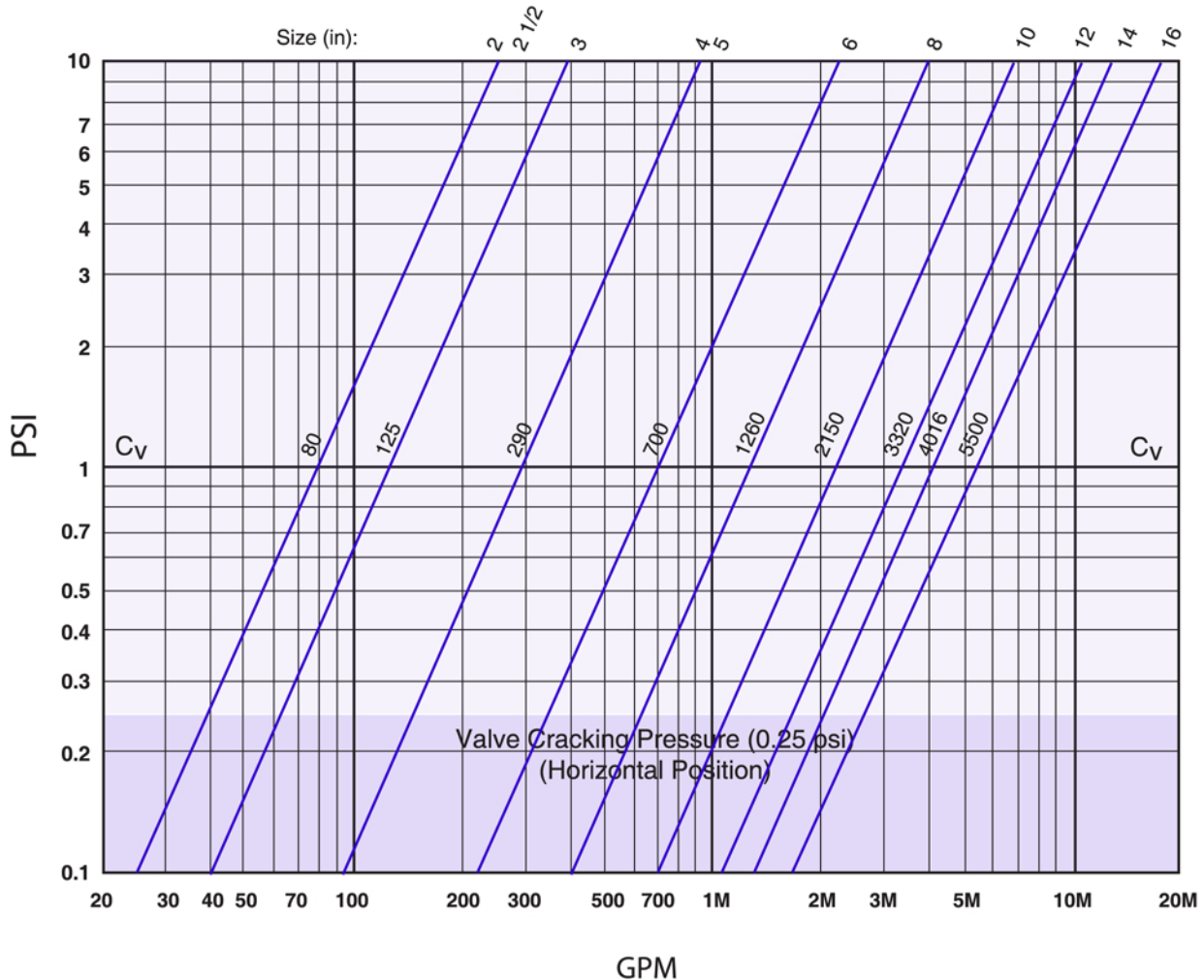
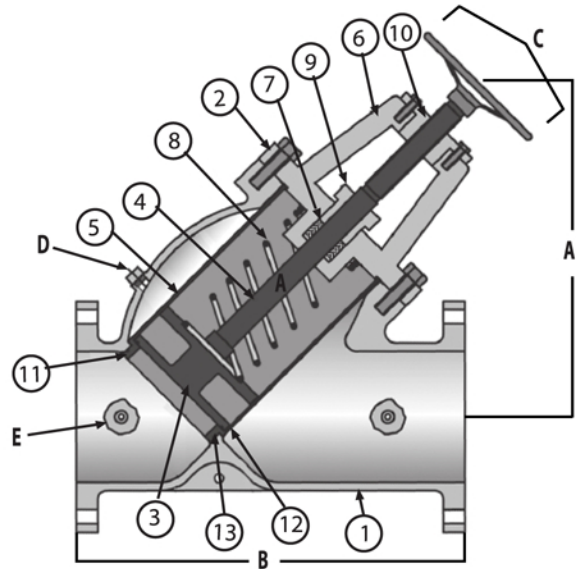


2701 W. Concord Street  
 Broken Arrow, OK 74012  
 Toll Free: 866-204-5229  
 PH: 918-317-0401  
 FAX: 918-317-0407  
 www.wheatleyhvac.com  
 e-mail: sales@globalflowproducts.com

**Bill of Materials**

ITEM NUMBER	DESCRIPTION	MATERIAL
1	Valve Body	Ductile Iron 65-45-12
2	Cover Flange	Ductile Iron 65-45-12
3	Valve Disc	A536 Nickel Plated*
4	Valve Stem	Type 410 Stainless Steel
5	Valve Seat Guild	A536 Nickel Plated Ductile Iron
6	Flange Gland	Ductile Iron 65-45-12
7	Packing	Non-Asbestos
8	Valve Spring	300 Series Stainless Steel
9	Packing Gland	Ductile Iron 65-45-12
10	Valve Stem Guide	A536 Ductile Iron
11	Valve Seat Ring	A536 Nickel Plated Ductile Iron
12	Valve Seat Seal	EPDM O-Ring
13	Valve Disc Seat	EPDM O-Ring

\*Optional Material B62 Bronze

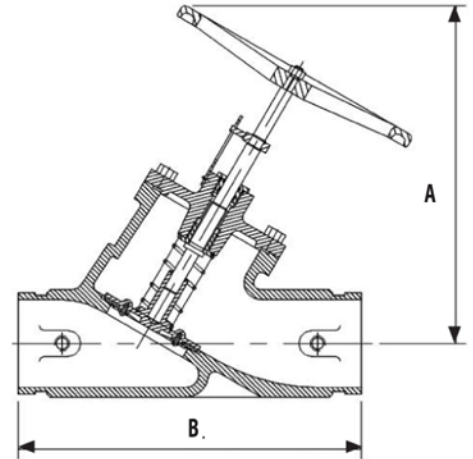


# Triple Duty Valve (Grooved End)

## Globe Style

### Features:

- Sizes 2" to 12"
- Flow Regulator Valve
- Back Flow Preventor
- Positive Shutoff Valve
- HWO Operated
- Grooved End according to AWWA C606
- 16 Bar or 200WOG Working Pressure
- External and internal parts Epoxy Powder coated



PART NUMBER	SIZE		HEIGHT A		LENGTH B	
	(IN.)	(MM)	(IN.)	(MM)	(IN.)	(MM)
TDV-002GR	2	50	11 3/4	300	9	230
TDV-025GR	2 1/2	65	12 5/8	320	11 7/16	290
TDV-003GR	3	80	13 3/4	350	12 13/16	310
TDV-004GR	4	100	17 7/8	455	13 3/4	350
TDV-005GR	5	125	20 5/16	515	15 3/4	400
TDV-006GR	6	150	20 1/2	565	18 7/8	480
TDV-008GR	8	200	27 15/16	710	23 5/8	600
TDV-010GR	10	250	34 1/4	895	28 3/4	730
TDV-012GR	12	300	39 3/8	1000	33 1/2	850

### Bill of Materials

DESCRIPTION	MATERIAL
Body and Yoke	DI, ASTM A536 Gr. 65-45-12
Disc	Stainless Steel, SS304
Gasket	EPDM
Disc Seat	EPDM
Spring	Stainless Steel, SS304
Handwheel	CI, ASTM A126 Class B
Indicator	Aluminium
Indicator Plate	Aluminium

All packaging materials, thread protectors, plastic plugs and caps must be removed before installation.

Dimensions are subject to change without notice, please confirm actual dimensions with factory at time of order.

JOB NAME _____
LOCATION _____
_____
CONTRACTOR _____
CONTRACTOR P.O. NO. _____

ITEMS	QUANTITY
_____	_____
_____	_____
_____	_____
_____	_____
_____	_____



2701 W. Concord Street  
Broken Arrow, OK 74012  
Toll Free: 866-204-5229  
PH: 918-317-0401  
FAX: 918-317-0407  
www.wheatleyhvac.com  
e-mail: sales@globalflowproducts.com