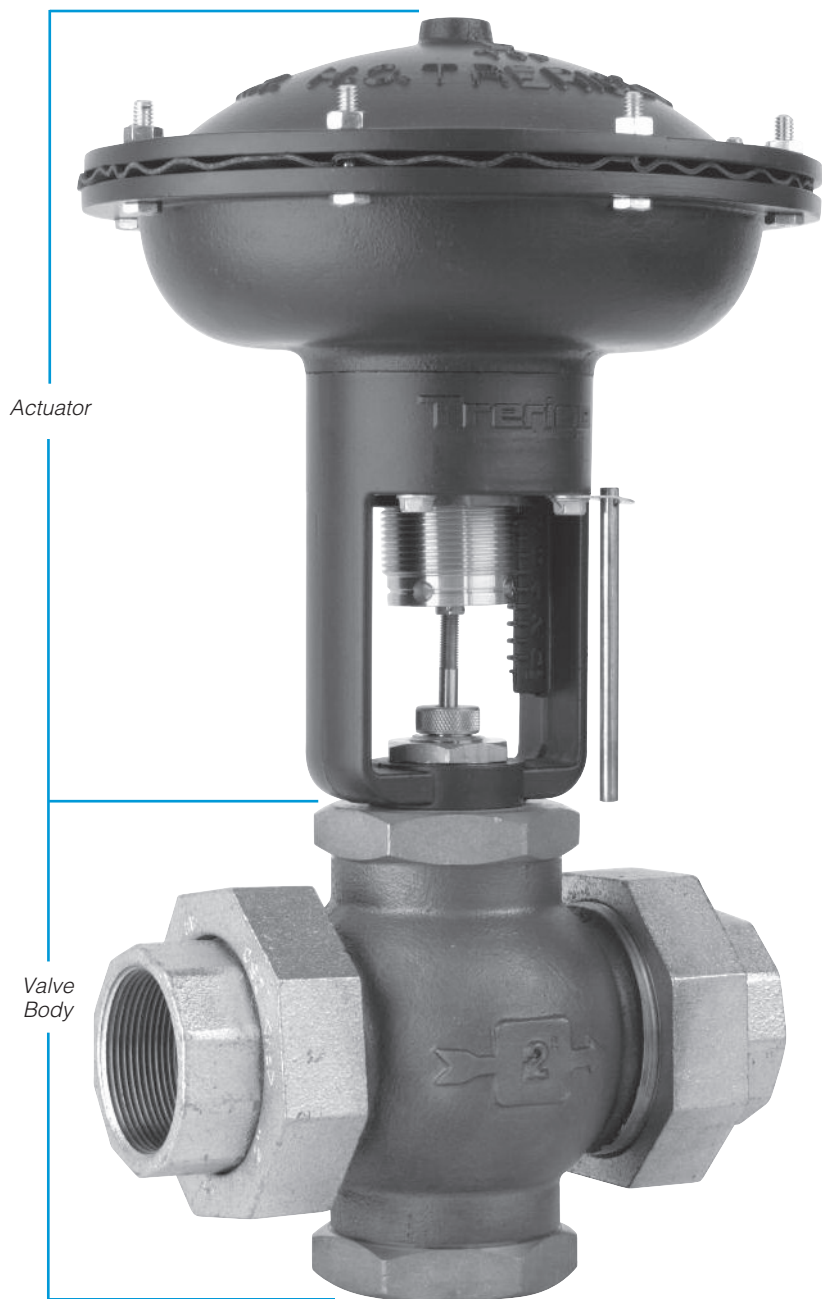


910 Series Compact Control Valve

CONTROL VALVES



910B shown

- ▶ Diaphragm Actuated
- ▶ 7", 9", & 12" Actuator Sizes
- ▶ Heavy Duty Die Cast Housing
- ▶ 1/2" - 4" Valve Sizes

The Trerice **910 Series Pneumatic Control Valve** offers high quality at an economical price, incorporating many features found only on more expensive units. Models are available to provide the proper flow response required by the application.

The **910A, 910B & 910C** are used for On/Off control applications, providing a quick-opening flow response when used with single or double seated valves.

The **910TB** is used for proportional or PID control applications, providing a throttling flow response when used with double seated or 3-way valves.

The **910EPA & 910EPC** is used for proportional or PID control applications, providing an equal percentage flow response when used with single seated valves.

For optimal performance, the service conditions (medium, flow, temperature, inlet and outlet pressures) of the application must be considered when selecting a valve. Please refer to the Valve Selection Section of this catalog. Consult the Valve Selection tables for the capabilities of a particular valve/actuator assembly. Improper application may cause failure of the valve, resulting in possible personal injury or property damage.

For replacement or service parts please see Accessories and Replacement Parts in the Regulators and Control Valves section of the list price sheet.

910 Series Compact Control Valve

CONTROL VALVES

Specifications

Actuator Model	Diaphragm Size	Control Action	Input Signal
910A	7"	On/Off	0/15 psi
910B	10"	On/Off	0/15 psi
910C	12"	On/Off	0/15 psi
910TB	10"	Throttling*	3-15 psi
910EPA	7"	Equal Percentage	3-15 psi
910EPC	12"	Equal Percentage	3-15 psi

*Includes 3-Way

Housing

Die cast aluminum, epoxy powder coated blue finish

Setting Scale

Integral to housing

Adjustment Screw

Brass

Adjustment Screw Bushing

Lubricant impregnated sintered bronze

Range Adjustment Spring

Cadmium plated

Pressure Plate

Aluminum

Diaphragm

Nylon reinforced EDPM

Air Pressure to Diaphragm

30 psig maximum

Air Pressure Connection

1/8 NPT Female

Operating Temperature

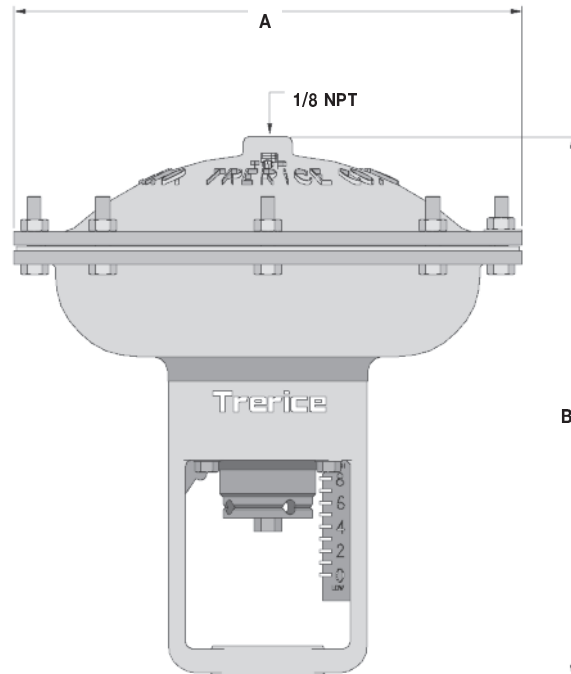
Ambient:

-40°F (-40°C) to 180°F (82°C)

Process Flow:

-40°F (-40°C) to 410°F (210°C)

All dimensions are nominal. Dimensions in [] are in millimeters



Actuator Number	A	B	Approx. Shipping Weight
910A	7.0 [178]	9.8 [249]	6.6 lbs [2.97 kg]
910B	9.3 [236]	9.8 [249]	8.5 lbs [3.83 kg]
910C	11.4 [290]	9.8 [249]	12.0 lbs [5.41 kg]
910TB	9.3 [236]	9.8 [249]	9.6 lbs [4.32 kg]
910EPA	7.0 [178]	9.8 [249]	7.6 lbs [3.42 kg]
910EPC	11.4 [290]	9.8 [249]	13.1 lbs [5.90 kg]

HOW TO ORDER

Sample Order Number: **910TB - A56**

Actuator Model	(Control Action)	Valve Body Number
910A 910B 910C	On/Off	Refer to pages 238-242
910TB	Throttling	Refer to pages 243-246
910EPA 910EPC	Equal Percentage	Refer to page 247

- Determine** the Actuator Model (**910A, 910B, 910C, 910TB, 910EPA or 910EPC**) required. **Note:** Refer to the maximum close-off pressure columns in the Valve Body Selection tables to determine the Actuator size required by your application.
- Determine** the Valve Size, style and material required by the application. **Note:** Consult the Valve Selection Table to determine the required Valve Body Number.

Valve Body Selection

(for 910A, 910B & 910C Control Valves)

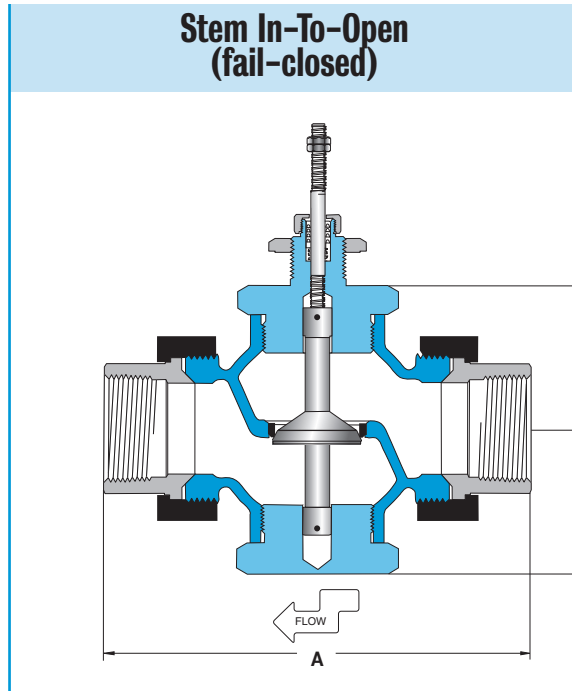
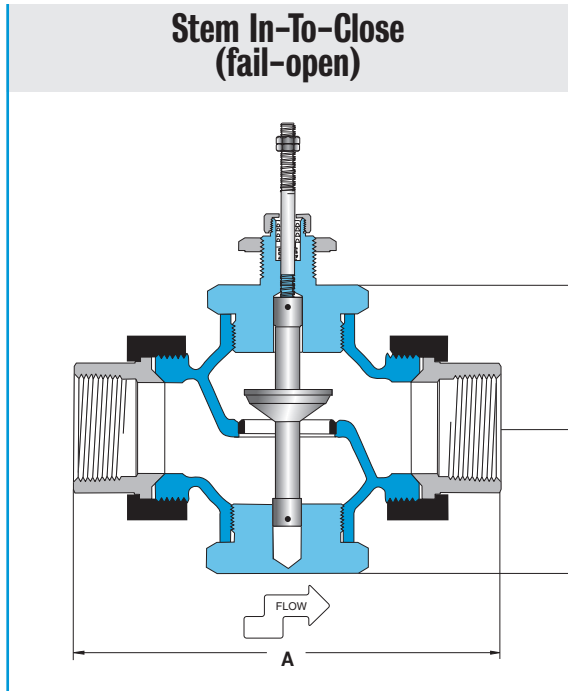
BRONZE

Single Seat • 1/2" – 2"



All dimensions are nominal. Dimensions in [] are in millimeters

CONTROL VALVES



Specifications

Body Material	Trim Material	Trim Style	Connection	Pressure & Temperature Rating
Bronze	Stainless steel	Modified linear	Threaded, malleable iron union ends	250 PSI @ 410°F (210°C)

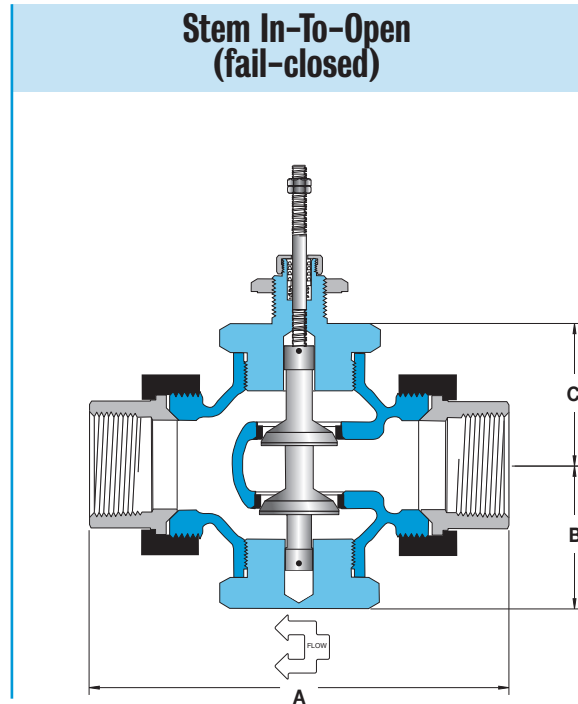
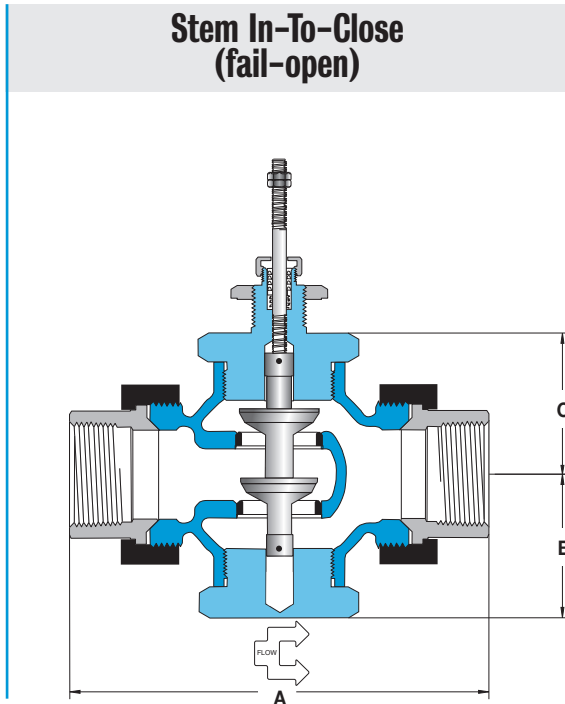
Valve Body Selection

In-To-Close (fail-open)				Maximum Close-Off Pressure (psid)			Dimensions			Approximate Shipping Wt.
Valve Body Number	Size		C _v	910A	910B	910C	A	B	C	
	Connection (NPT)	Nominal Port			Actuator					
A14	1/2	1/2"	2.8	250	x	x	4.8 [122]	1.8 [46]	1.8 [46]	3.0 lbs [1.35 kg]
A19	3/4	3/4"	5.6	250	x	x	5.6 [142]	2.3 [58]	2.3 [58]	4.9 lbs [2.21 kg]
A26	1	1"	8.4	200	250	x	6.0 [152]	2.3 [58]	2.3 [58]	6.0 lbs [2.70 kg]
A36	1 1/4	1 1/4"	15	100	250	x	7.2 [183]	2.6 [66]	2.6 [66]	9.7 lbs [4.37 kg]
A47	1 1/2	1 1/2"	21	50	150	250	7.7 [196]	2.6 [66]	2.6 [66]	10.8 lbs [4.86 kg]
A58	2	2"	33	25	50	250	8.6 [218]	3.1 [79]	3.1 [79]	16.3 lbs [7.34 kg]

In-To-Open (fail-closed)				Maximum Close-Off Pressure (psid)			Dimensions			Approximate Shipping Wt.
Valve Body Number	Size		C _v	910A	910B	910C	A	B	C	
	Connection (NPT)	Nominal Port			Actuator					
A15	1/2	1/2"	2.8	250	x	x	4.8 [122]	1.8 [46]	1.8 [46]	3.0 lbs [1.35 kg]
A22	3/4	3/4"	5.6	250	x	x	5.6 [142]	2.3 [58]	2.3 [58]	4.9 lbs [2.21 kg]
A30	1	1"	8.4	200	x	x	6.0 [152]	2.3 [58]	2.3 [58]	6.0 lbs [2.70 kg]
A41	1 1/4	1 1/4"	15	150	x	x	7.2 [183]	2.6 [66]	2.6 [66]	9.7 lbs [4.37 kg]
A52	1 1/2	1 1/2"	21	100	x	x	7.7 [196]	2.6 [66]	2.6 [66]	10.8 lbs [4.86 kg]
A63	2	2"	33	50	x	x	8.6 [218]	3.1 [79]	3.1 [79]	16.3 lbs [7.34 kg]

All dimensions are nominal. Dimensions in [] are in millimeters

Double Seat • 3/4" – 2"



Specifications

Body Material	Trim Material	Trim Style	Connection	Pressure & Temperature Rating
Bronze	Stainless steel	Modified linear	Threaded, malleable iron union ends	250 PSI @ 410°F (210°C)

Valve Body Selection

In-To-Close (fail-open)				Maximum Close-Off Pressure (psid)			Dimensions			Approximate Shipping Wt.
Valve Body Number	Size		C _v	910A	910B	910C	A	B	C	
	Connection (NPT)	Nominal Port								
A21	3/4	3/4"	8	250	x	x	5.6 [142]	2.3 [58]	2.3 [58]	5.0 lbs [2.25 kg]
A29	1	1"	12	250	x	x	6.0 [152]	2.3 [58]	2.3 [58]	6.1 lbs [2.75 kg]
A39	1 1/4	1 1/4"	21	250	x	x	7.2 [183]	2.6 [66]	2.6 [66]	10.1 lbs [4.55 kg]
A50	1 1/2	1 1/2"	30	250	x	x	7.7 [196]	2.6 [66]	2.6 [66]	11.1 lbs [5.00 kg]
A61	2	2"	47	200	x	x	8.6 [218]	3.1 [79]	3.1 [79]	17.0 lbs [7.65 kg]

In-To-Open (fail-closed)				Maximum Close-Off Pressure (psid)			Dimensions			Approximate Shipping Wt.
Valve Body Number	Size		C _v	910A	910B	910C	A	B	C	
	Connection (NPT)	Nominal Port								
A24	3/4	3/4"	8	250	x	x	5.6 [142]	2.3 [58]	2.3 [58]	5.0 lbs [2.25 kg]
A33	1	1"	12	250	x	x	6.0 [152]	2.3 [58]	2.3 [58]	6.1 lbs [2.75 kg]
A44	1 1/4	1 1/4"	21	250	x	x	7.2 [183]	2.6 [66]	2.6 [66]	10.1 lbs [4.55 kg]
A55	1 1/2	1 1/2"	30	250	x	x	7.7 [196]	2.6 [66]	2.6 [66]	11.1 lbs [5.00 kg]
A66	2	2"	47	200	x	x	8.6 [218]	3.1 [79]	3.1 [79]	17.0 lbs [7.65 kg]

Valve Body Selection

(for 910A, 910B & 910C Control Valves)

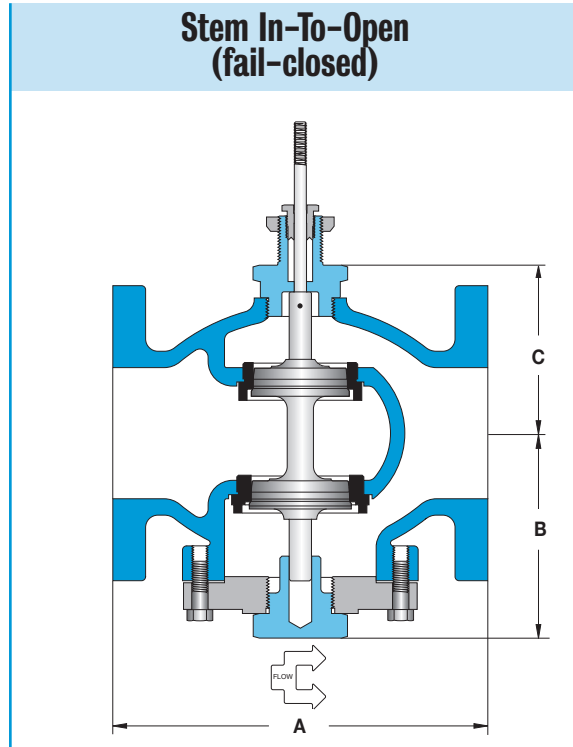
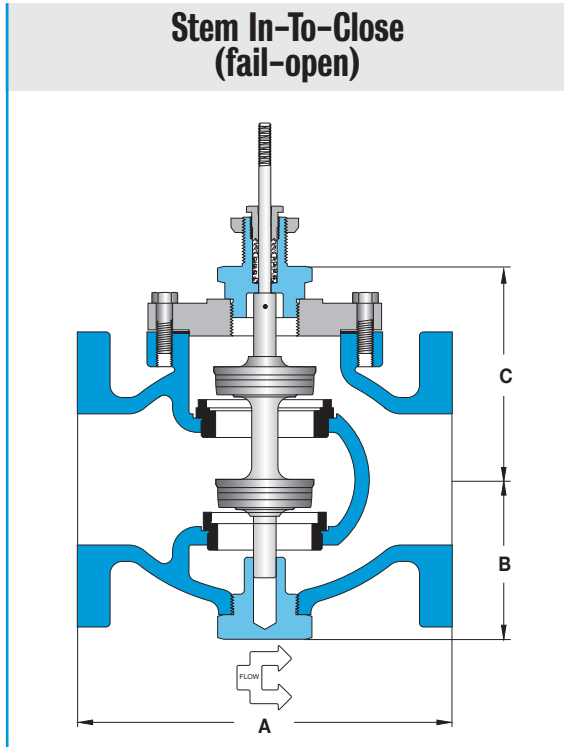
CAST IRON

Double Seat • 2 1/2" – 4"



All dimensions are nominal. Dimensions in [] are in millimeters.

CONTROL VALVES



Specifications

Body Material	Trim Material	Trim Style	Connection	Pressure & Temperature Rating
Cast-iron	Stainless steel	Modified linear	Class 125 flanged	125 PSI @ 350°F (176°C)

Valve Body Selection

In-To-Close (fail-open)				Maximum Close-Off Pressure (psid)			Dimensions			Approximate Shipping Wt.
Valve Body Number	Size		C _v	910A	Actuator		A	B	C	
	Connection	Nominal Port			910B	910C				
B73	2 1/2"	2 1/2"	69	125	x	x	7.8 [198]	4.8 [122]	5.4 [137]	45 lbs [20 kg]
B78	3"	3"	90	125	x	x	9.0 [229]	5.0 [127]	5.6 [142]	70 lbs [32 kg]
B83	4"	4"	196	125	x	x	11.4 [290]	6.3 [160]	6.5 [165]	100 lbs [45 kg]

In-To-Open (fail-closed)				Maximum Close-Off Pressure (psid)			Dimensions			Approximate Shipping Wt.
Valve Body Number	Size		C _v	910A	Actuator		A	B	C	
	Connection	Nominal Port			910B	910C				
B74	2 1/2"	2 1/2"	69	125	x	x	7.8 [198]	4.8 [122]	5.4 [137]	45 lbs [20 kg]
B79	3"	3"	90	125	x	x	9.0 [229]	5.0 [127]	5.6 [142]	70 lbs [32 kg]
B84	4"	4"	196	125	x	x	11.4 [290]	6.3 [160]	6.5 [165]	100 lbs [45 kg]

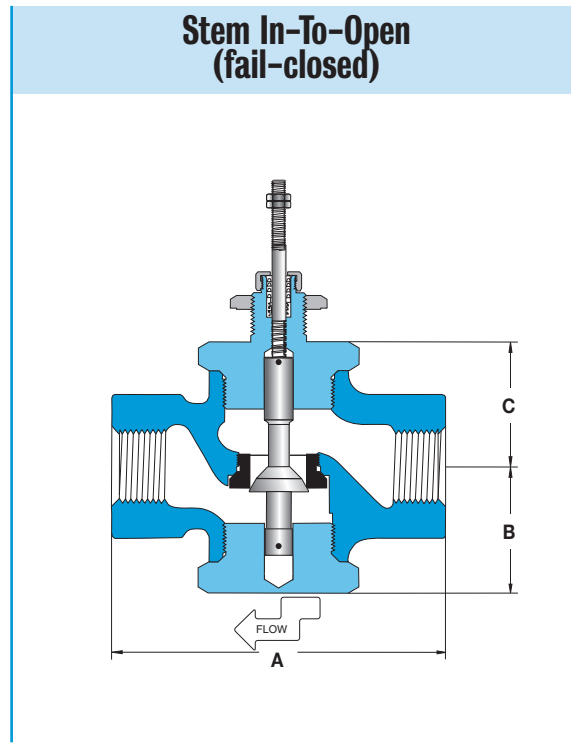
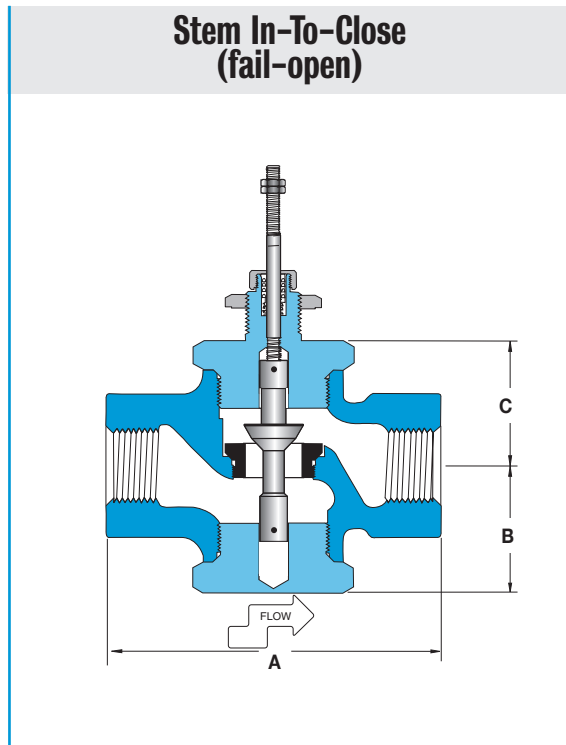
CAST STEEL

Valve Body Selection (for 910A, 910B & 910C Control Valves)

Single Seat • 1/2" – 1"

All dimensions are nominal. Dimensions in [] are in millimeters.

CONTROL VALVES



Specifications

Body Material	Trim Material	Trim Style	Connection	Pressure & Temperature Rating
Cast-steel	Stainless steel	Modified linear	Threaded	250 PSI @ 410°F (210°C)

Valve Body Selection

In-To-Close (fail-open)				Maximum Close-Off Pressure (psid)			Dimensions			Approximate Shipping Wt.
Valve Body Number	Size		C _v	910A	Actuator		A	B	C	
	Connection (NPT)	Nominal Port			910B	910C				
C05	3/4	1/2"	2.8	250	x	x	6.0 [152]	2.3 [58]	2.3 [58]	9.2 lbs [4.18 kg]
C06	3/4	3/4"	5.6	250	x	x	6.0 [152]	2.3 [58]	2.3 [58]	9.2 lbs [4.18 kg]
C55	1	1/2"	2.8	250	x	x	6.0 [152]	2.3 [58]	2.3 [58]	9.2 lbs [4.18 kg]
C56	1	3/4"	5.6	250	x	x	6.0 [152]	2.3 [58]	2.3 [58]	9.2 lbs [4.18 kg]
C57	1	1"	8.4	200	250	x	6.0 [152]	2.3 [58]	2.3 [58]	9.2 lbs [4.18 kg]

In-To-Open (fail-closed)				Maximum Close-Off Pressure (psid)			Dimensions			Approximate Shipping Wt.
Valve Body Number	Size		C _v	910A	Actuator		A	B	C	
	Connection (NPT)	Nominal Port			910B	910C				
C15	3/4	1/2"	2.8	250	x	x	6.0 [152]	2.3 [58]	2.3 [58]	9.2 lbs [4.18 kg]
C16	3/4	3/4"	5.6	250	x	x	6.0 [152]	2.3 [58]	2.3 [58]	9.2 lbs [4.18 kg]
C65	1	1/2"	2.8	250	x	x	6.0 [152]	2.3 [58]	2.3 [58]	9.2 lbs [4.18 kg]
C66	1	3/4"	5.6	250	x	x	6.0 [152]	2.3 [58]	2.3 [58]	9.2 lbs [4.18 kg]
C67	1	1"	8.4	200	x	x	6.0 [152]	2.3 [58]	2.3 [58]	9.2 lbs [4.18 kg]

Valve Body Selection

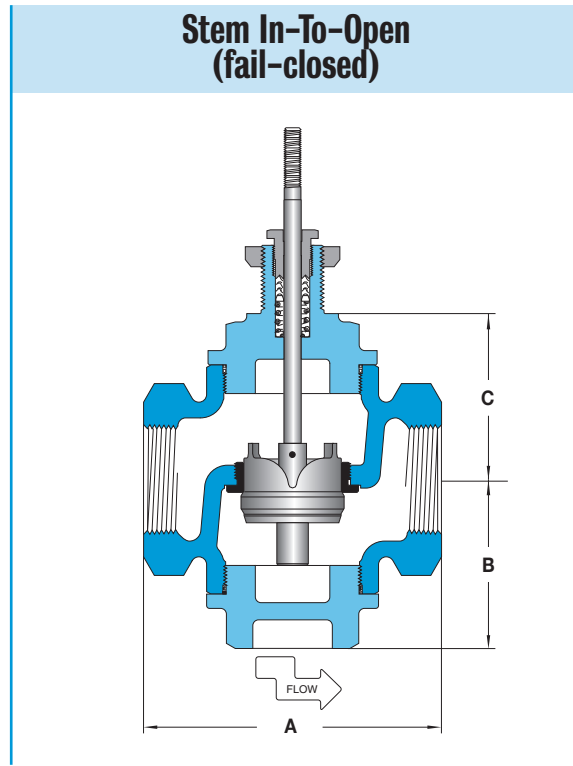
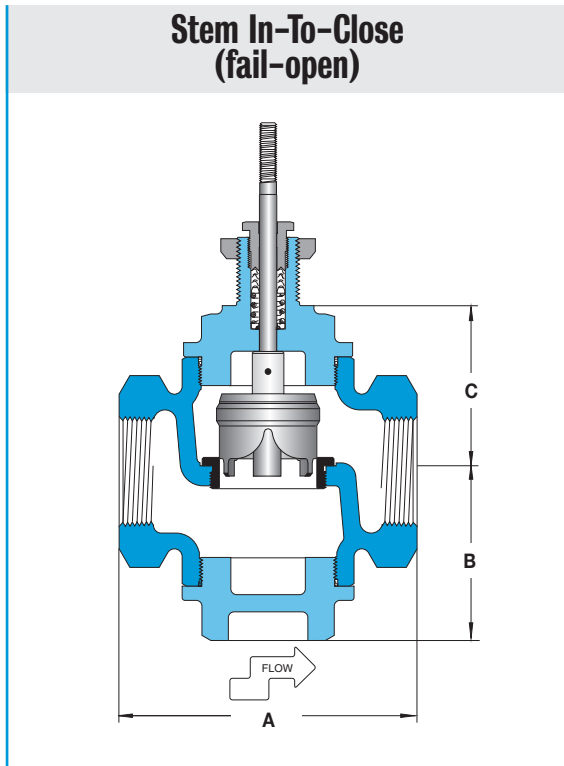
(for 910A, 910B & 910C Control Valves)

STAINLESS STEEL

Single Seat • 1/2" – 2"

All dimensions are nominal. Dimensions in [] are in millimeters

CONTROL VALVES



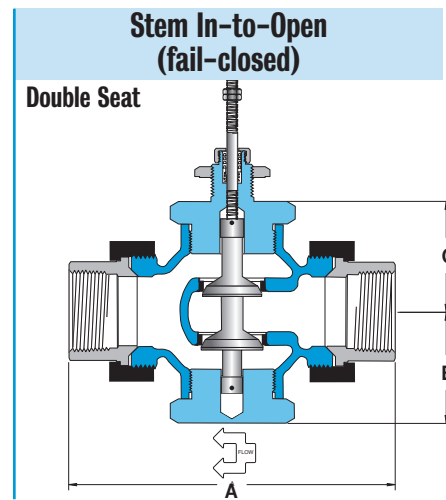
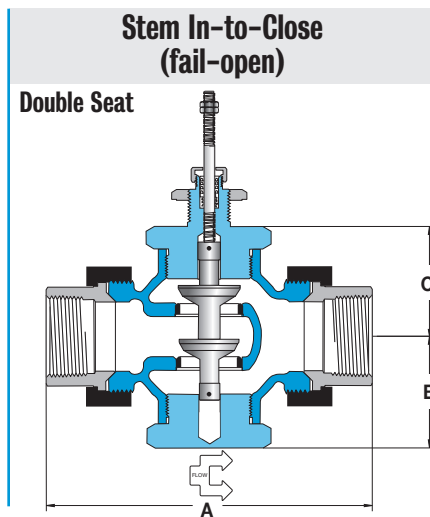
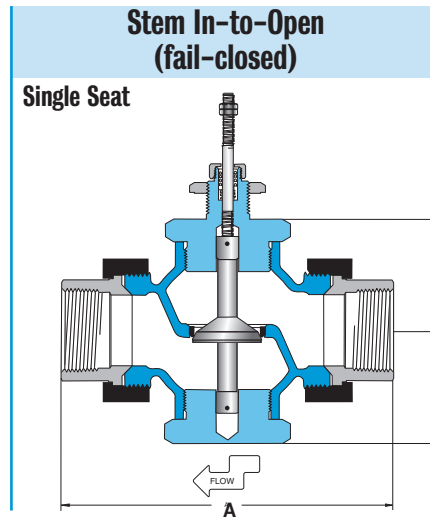
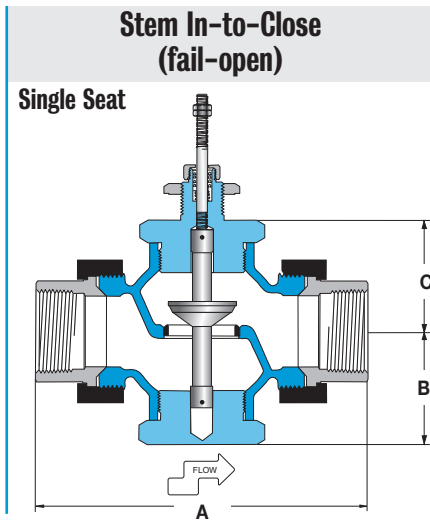
Specifications

Body Material	Trim Material	Trim Style	Connection	Pressure & Temperature Rating
Stainless steel	Stainless steel	Modified linear	Threaded	250 PSI @ 410°F (210°C)

Valve Body Selection

In-To-Close (fail-open)				Maximum Close-Off Pressure (psid)			Dimensions			Approximate Shipping Wt.
Valve Body Number	Size		C _v	Actuator			A	B	C	
	Connection (NPT)	Nominal Port		910A	910B	910C				
D14	1/2	1/2"	6	250	x	x	5.0 [127]	2.9 [74]	3.4 [86]	8.0 lbs [3.64 kg]
D19	3/4	3/4"	8.6	220	250	x	5.0 [127]	2.9 [74]	3.4 [86]	8.0 lbs [3.64 kg]
D26	1	1"	14	140	250	x	5.0 [127]	2.9 [74]	3.4 [86]	8.0 lbs [3.64 kg]
D47	1 1/2	1 1/2"	27	40	120	250	6.1 [155]	3.5 [89]	4.0 [102]	15.5 lbs [7.05 kg]
D58	2	2"	33	25	45	225	6.5 [165]	3.9 [99]	4.2 [107]	19.0 lbs [8.64 kg]

In-To-Open (fail-closed)				Maximum Close-Off Pressure (psid)			Dimensions			Approximate Shipping Wt.
Valve Body Number	Size		C _v	Actuator			A	B	C	
	Connection (NPT)	Nominal Port		910A	910B	910C				
D15	1/2	1/2"	6	250	x	x	5.0 [127]	2.9 [74]	3.4 [86]	8.0 lbs [3.64 kg]
D22	3/4	3/4"	8.6	250	x	x	5.0 [127]	2.9 [74]	3.4 [86]	8.0 lbs [3.64 kg]
D30	1	1"	14	155	x	x	5.0 [127]	2.9 [74]	3.4 [86]	8.0 lbs [3.64 kg]
D52	1 1/2	1 1/2"	27	80	x	x	6.1 [155]	3.5 [89]	4.0 [102]	15.5 lbs [7.05 kg]
D63	2	2"	33	40	x	x	6.5 [165]	3.9 [99]	4.2 [107]	19.0 lbs [8.64 kg]



Specifications

Body Material	Trim Material	Trim Style	Connection	Pressure & Temperature Rating
Bronze	Stainless steel	Modified linear	Threaded, malleable iron union ends	250 PSI @ 410°F (210°C)

Valve Body Selection

Valve Body Number		Size		Number of Seats	C _v	Maximum Close-Off Pressure (psid)	Actuator 910TB	Dimensions			Approximate Shipping Wt.
ITC Fail-Open	ITO Fail-Closed	Connection (NPT)	Nominal Port					A	B	C	
A02	A03	1/2	1/8"	1	0.17	250	4.8 [122]	1.8 [46]	1.8 [46]	3.0 lbs [1.35 kg]	
A05	A06	1/2	3/16"	1	0.35	250	4.8 [122]	1.8 [46]	1.8 [46]	3.0 lbs [1.35 kg]	
A08	A09	1/2	1/4"	1	0.7	250	4.8 [122]	1.8 [46]	1.8 [46]	3.0 lbs [1.35 kg]	
A11	A12	1/2	3/8"	1	1.4	250	4.8 [122]	1.8 [46]	1.8 [46]	3.0 lbs [1.35 kg]	
A14	A15	1/2	1/2"	1	2.8	250	4.8 [122]	1.8 [46]	1.8 [46]	3.0 lbs [1.35 kg]	
A21	A24	3/4	3/4"	2	8	250	5.6 [142]	2.3 [58]	2.3 [58]	5.0 lbs [2.25 kg]	
A29	A33	1	1"	2	12	250	6.0 [152]	2.3 [58]	2.3 [58]	6.1 lbs [2.75 kg]	
A39	A44	1 1/4	1 1/4"	2	21	250	7.2 [183]	2.6 [66]	2.6 [66]	10.1 lbs [4.55 kg]	
A50	A55	1 1/2	1 1/2"	2	30	250	7.7 [196]	2.6 [66]	2.6 [66]	11.1 lbs [5.00 kg]	
A61	A66	2	2"	2	47	250	8.6 [218]	3.1 [79]	3.1 [79]	17.0 lbs [7.65 kg]	

Valve Body Selection

(for 910TB Control Valve)

BRONZE

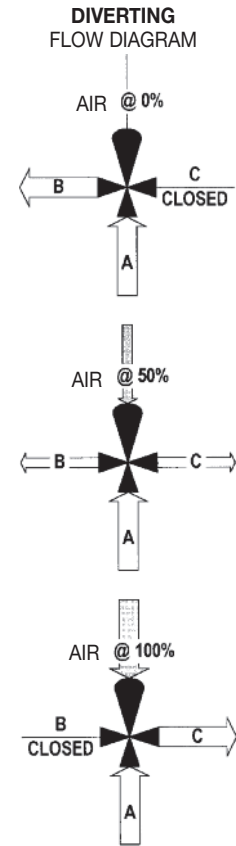
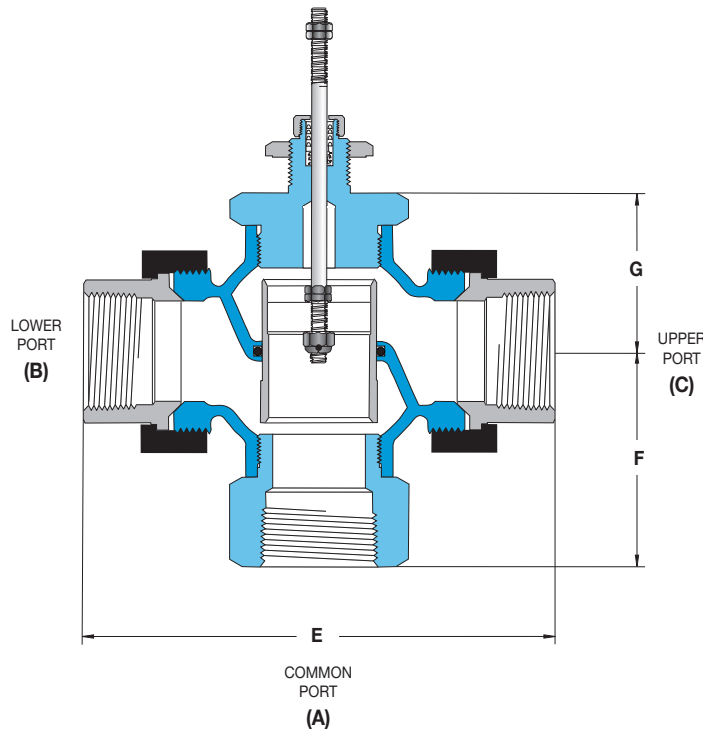
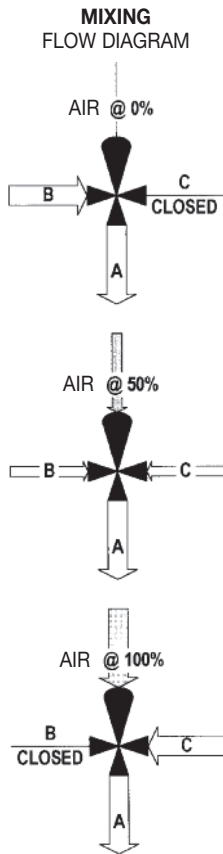
3-WAY • 1/2" - 2"



All dimensions are nominal. Dimensions in [] are in millimeters.

CONTROL VALVES

for Mixing or Diverting



Trerice 3-Way Valves are not designed for use in steam applications. To properly control the mixing of two flows, inlet pressures at ports B and C should be as equal as possible.

Specifications

Body Material	Trim Material	Trim Style	Connection	Pressure & Temperature Rating
Bronze	Bronze	Modified linear	Threaded, malleable iron union ends	250 PSI @ 300°F (149°C)

Valve Body Selection

Mixing or Diverting				Maximum Close-Off Pressure (psid)				
Valve Body Number	Size		C _v	Actuator 910TB	Dimensions			Approximate Shipping Wt.
	Connection (NPT)	Nominal Port			E	F	G	
A18	1/2	1/2"	2.8	250	4.8 [122]	1.8 [46]	1.8 [46]	2.9 lbs [1.31 kg]
A25	3/4	3/4"	5.6	250	5.6 [142]	2.3 [58]	2.3 [58]	4.7 lbs [2.12 kg]
A34	1	1"	8.4	250	6.0 [152]	2.3 [58]	2.3 [58]	5.7 lbs [2.57 kg]
A45	1 1/4	1 1/4"	15	250	7.2 [183]	2.8 [71]	2.6 [66]	9.5 lbs [4.28 kg]
A56	1 1/2	1 1/2"	21	250	7.7 [196]	3.5 [89]	2.6 [66]	11.1 lbs [5.00 kg]
A67	2	2"	33	250	8.6 [218]	4.1 [104]	3.1 [79]	16.7 lbs [7.55 kg]

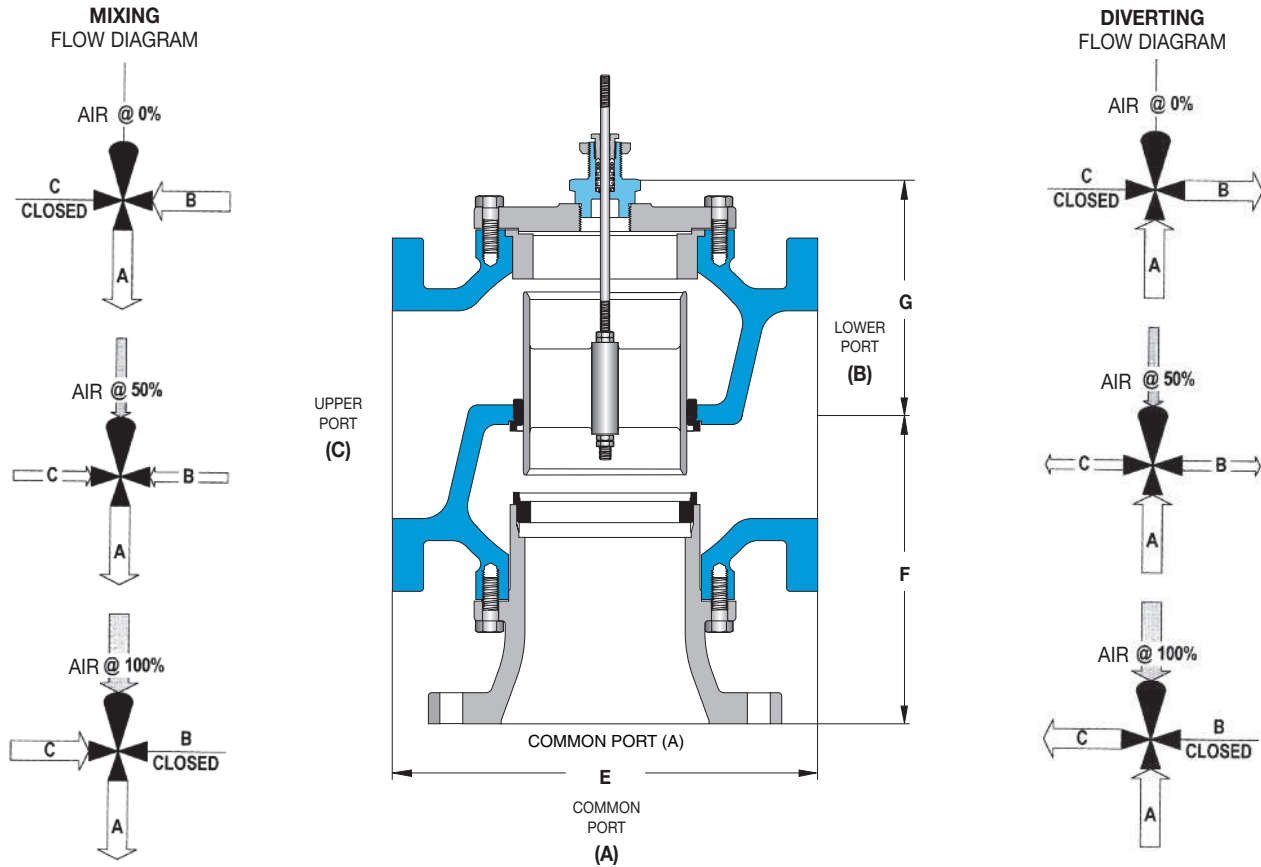
All dimensions are nominal. Dimensions in [] are in millimeters.



3-WAY • 2 1/2" - 4"

CONTROL VALVES

for Mixing or Diverting



Trerice 3-Way Valves are not designed for use in steam applications. To properly control the mixing of two flows, inlet pressures at ports B and C should be as equal as possible.

Specifications

Body Material	Trim Material	Trim Style	Connection	Pressure & Temperature Rating
Cast-Iron	Bronze	Modified linear	Class 125 flanged	125 PSI @ 300°F (149°C)

Valve Body Selection

Mixing or Diverting				Maximum Close-Off Pressure (psid)			Approximate Shipping Wt.	
Valve Body Number	Size Connection	Size Nominal Port	C _v	Actuator 910TB	Dimensions (E, F, G)			
B75	2 1/2"	2 1/2"	69	125	9.0 [229]	7.1 [180]	5.2 [132]	62 lbs [28 kg]
B80	3"	3"	90	125	10.0 [254]	8.0 [203]	6.0 [152]	80 lbs [36 kg]
B85	4"	4"	196	125	13.0 [330]	10.0 [254]	6.9 [175]	140 lbs [64 kg]

Valve Body Selection (for 910TB Control Valve)

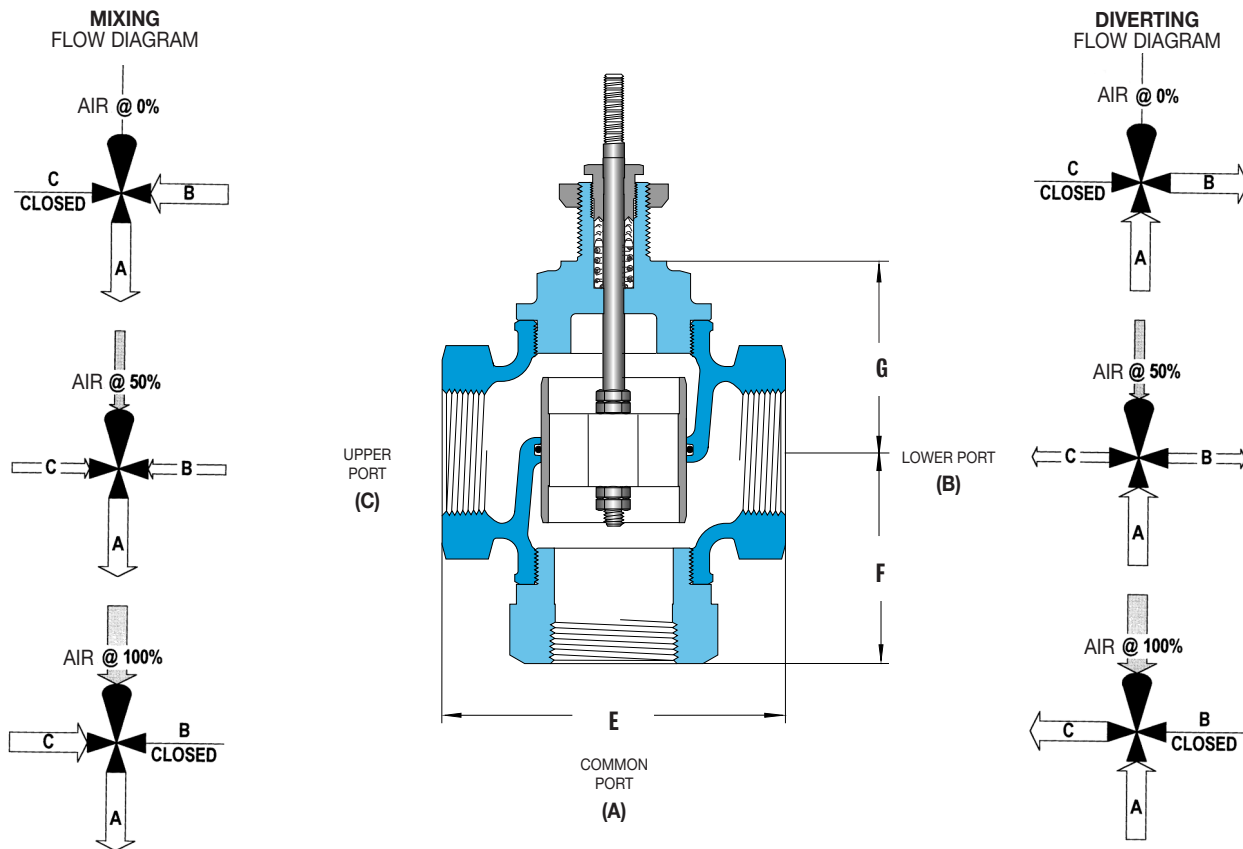
3-WAY • 1/2" - 2"

STAINLESS STEEL

All dimensions are nominal. Dimensions in [] are in millimeters.

for Mixing or Diverting

CONTROL VALVES



Trerice 3-Way Valves are not designed for use in steam applications. To properly control the mixing of two flows, inlet pressures at ports B and C should be as equal as possible.

Specifications

Body Material	Trim Material	Trim Style	Connection	Pressure & Temperature Rating
Stainless steel	Stainless steel	Modified linear	Threaded	250 PSI @ 300°F (149°C)

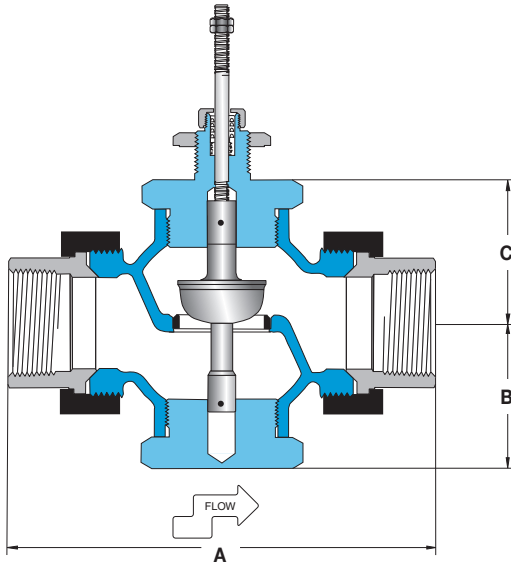
Valve Body Selection

Valve Body Number	Size		C _v	Actuator 910TB	Dimensions			Approximate Shipping Wt.
	Connection (NPT)	Nominal Port			E	F	G	
D18	1/2	1/2"	6	250	5.0 [127]	2.9 [74]	3.4 [86]	7.5 lbs [3.41 kg]
D25	3/4	3/4"	8	250	5.0 [127]	2.9 [74]	3.4 [86]	7.5 lbs [3.41 kg]
D34	1	1"	11	250	5.0 [127]	2.9 [74]	3.4 [86]	7.5 lbs [3.41 kg]
D56	1 1/2	1 1/2"	20	250	6.1 [155]	3.4 [86]	4.0 [102]	15.0 lbs [6.82 kg]
D67	2	2"	30	250	6.5 [165]	3.8 [97]	4.2 [107]	18.5 lbs [8.41 kg]

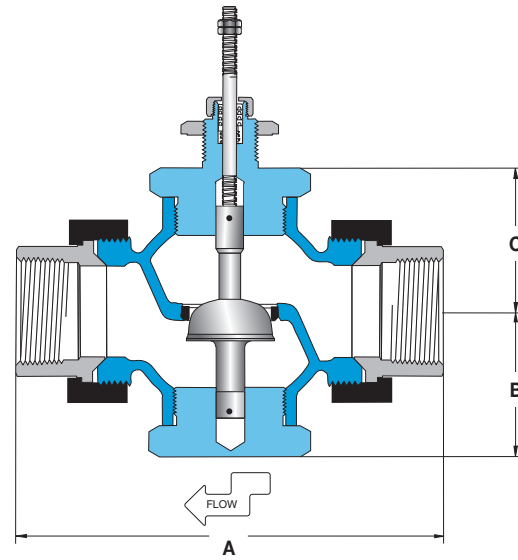
All dimensions are nominal. Dimensions in [] are in millimeters.



**Stem In-To-Close
(fail-open)**



**Stem In-To-Open
(fail-closed)**



Specifications

Body Material	Trim Material	Trim Style	Connection Pressure & Temperature Rating	
Bronze	Stainless steel	Equal percentage	Threaded, malleable iron union ends	250 PSI @ 410°F (210°C)

Valve Body Selection

In-To-Close (fail-open)				Maximum Close-Off Pressure (psid)			Dimensions			Approximate Shipping Wt.
Valve Body Number	Size		C _v	Actuator		A	B	C		
	Connection (NPT)	Nominal Port		910EPA	910EPC					
E14	1/2	1/2"	2.8	x	250	4.8 [122]	1.8 [46]	1.8 [46]	3.0 lbs [1.35 kg]	
E19	3/4	3/4"	5.6	x	250	5.6 [142]	2.3 [58]	2.3 [58]	4.9 lbs [2.21 kg]	
E26	1	1"	8.4	x	200	6.0 [152]	2.3 [58]	2.3 [58]	6.0 lbs [2.70 kg]	
E36	1 1/4	1 1/4"	15	x	150	7.2 [183]	2.6 [66]	2.6 [66]	9.7 lbs [4.37 kg]	
E47	1 1/2	1 1/2"	21	x	100	7.7 [196]	2.6 [66]	2.6 [66]	10.8 lbs [4.86 kg]	
E58	2	2"	33	x	50	8.6 [218]	3.1 [79]	3.1 [79]	16.3 lbs [7.34 kg]	

In-To-Open (fail-closed)				Maximum Close-Off Pressure (psid)			Dimensions			Approximate Shipping Wt.
Valve Body Number	Size		C _v	Actuator		A	B	C		
	Connection (NPT)	Nominal Port		910EPA	910EPC					
E15	1/2	1/2"	2.8	250	x	4.8 [122]	1.8 [46]	1.8 [46]	3.0 lbs [1.35 kg]	
E22	3/4	3/4"	5.6	250	x	5.6 [142]	2.3 [58]	2.3 [58]	4.9 lbs [2.21 kg]	
E30	1	1"	8.4	200	x	6.0 [152]	2.3 [58]	2.3 [58]	6.0 lbs [2.70 kg]	
E41	1 1/4	1 1/4"	15	150	x	7.2 [183]	2.6 [66]	2.6 [66]	9.7 lbs [4.37 kg]	
E52	1 1/2	1 1/2"	21	100	x	7.7 [196]	2.6 [66]	2.6 [66]	10.8 lbs [4.86 kg]	
E63	2	2"	33	50	x	8.6 [218]	3.1 [79]	3.1 [79]	16.3 lbs [7.34 kg]	