



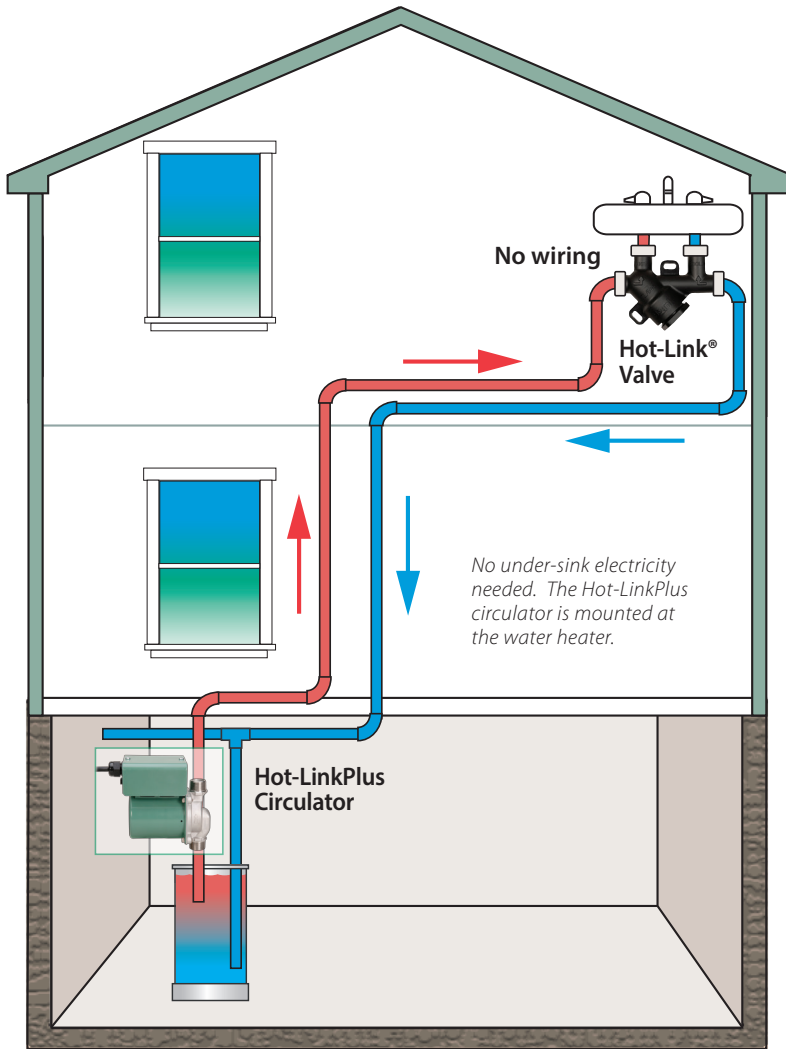
Hot-LinkPlus™ Hot Water Recirculation

Taco Hot-LinkPlus™ reduces the time it takes for hot water comfort to reach showers and faucets. The Hot-LinkPlus features a smart circulator that learns household hot water usage patterns and makes hot water available at the same times the following week. If water usage changes the Hot-LinkPlus circulator adapts for you. It never needs programming! When no hot water usage is detected there's even an automatic vacation mode. The average family can save up to 12,000 gallons of water per year and it's easy to retrofit to an existing plumbing system. Designed for plumbing systems that do not have a dedicated return line.



Features

Hot-LinkPlus™ delivers instant hot water using existing plumbing system!

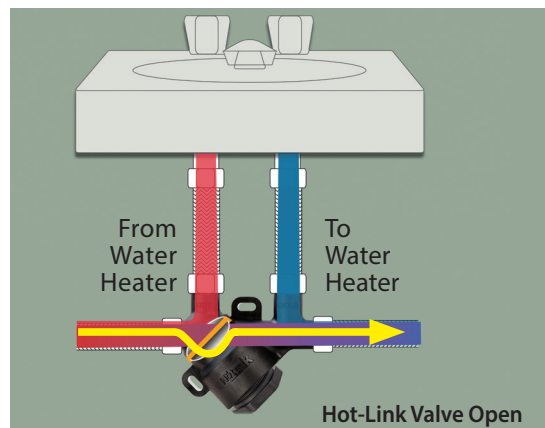
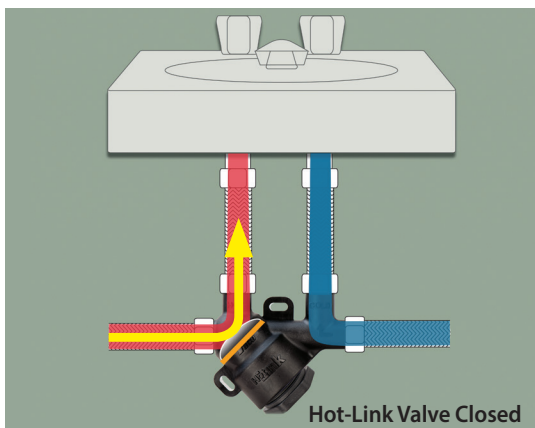


Features of Hot-LinkPlus™ Circulator:

- Up to 94% more energy efficient than standard recirculation circulators.
- Fully automatic. Never needs programming.
- LED Display.
- Vacation Function.
- 3-year warranty.

Features of Hot-Link® Valve:

- Exclusive clean in-place design.
- Saves time, water and energy.
- Easy to install.
- Ideal for home retrofits.
No recirculation line necessary.



Typical Hot-LinkPlus Schematic



Save Energy, Water and Time! Link up to instant hot water comfort!

Hot water without the waste!

The Taco Hot-LinkPlus for domestic hot water recirculation reduces the time it takes for hot water comfort to reach showers and faucets by recirculating “cooled” water back to the water heater; hot water lines remain hot. **The Hot-LinkPlus can save an average family up to 12,000 gallons per year** — water that normally goes down the drain while waiting for hot water. Installation is a snap. Uses existing plumbing.

How the Hot-Link Plus works.

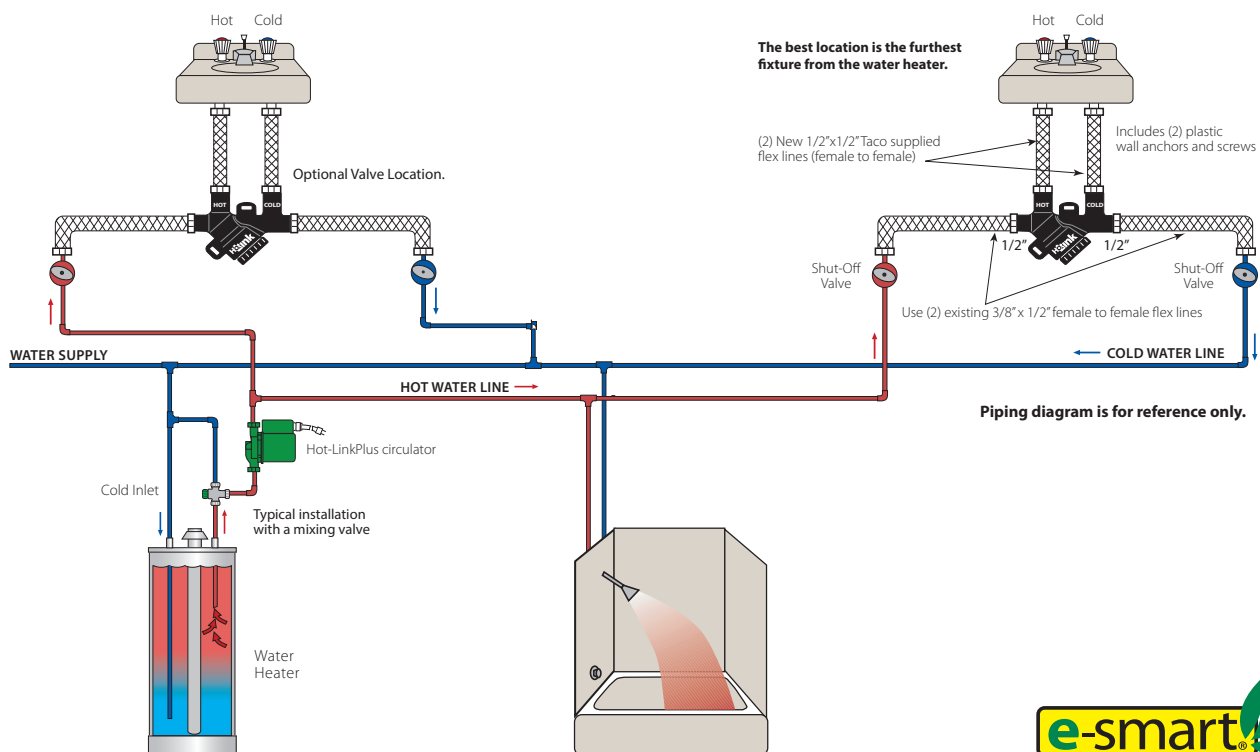
When set to “Smart” mode, the Hot-LinkPlus circulator monitors and records the home’s hot water usage pattern and repeats the pattern to cycle the pump, providing instant hot water at all fixtures only when needed. An optional “pulse” mode can be selected which sets the circulator to run for 5 minutes every 10 minutes maintaining hot water at all fixtures. In either mode, an automatic vacation mode activates when 36 hours of hot water inactivity is reached. The Hot-LinkPlus bypass valves unique thermal disk technology sends cooled water back to the water heater so hot water lines remain hot.

Hot-Link Plus is easy to install.

First, install the Hot-LinkPlus bypass valve at the faucet furthest away from the water heater. Then install the Hot-LinkPlus circulator at the water heater. Once installed connect the temperature sensor to the hot water supply pipe and plug the 6’ power cord into any standard 120V electrical outlet. Everything needed to install and operate the system is in the box.

Benefits of the Hot-Link System.

Saves energy, water and time while providing instant hot water comfort. What’s more, it’s made by Taco, known by plumbing professionals as a world leader in high quality hydronic components since 1920.



Submittal Data Information

Hot-LinkPlus (For Domestic Hot Water Recirculation)

Submittal Data # 101-172

Effective: 08/05/15

Supersedes: New

Hot-LinkPlus Includes:

- Hot-Link Valve
- Hot-LinkPlus Circulator
- (2) Flex Hoses
- (2) Half Unions with Tail Pieces

Materials of Construction —Circulator & Union

- Casting (Volute).....Stainless Steel
- Stator Housing.....Steel
- Cartridge.....Stainless Steel
- Impeller.....Noryl
- Shaft.....Ceramic
- Bearings.....Carbon
- O-Ring.....EPDM
- Half Unions.....Stainless Steel
- Tail Pieces.....Stainless Steel

Materials of Construction —Hot-Link Valve

- Body.....Nylon
- Thermal Disk Actuator....Bi-Metal
- O-Ring Seals.....EPDM
- Integral Flow Check (IFC®):
 - Body, Plunger.....Acetal
 - O-Rings.....EPDM
- Screen.....304 SS
- Stem.....Nylon
- Actuator Cartridge.....Stainless Steel
- Braided Flex Hoses.....Stainless Steel

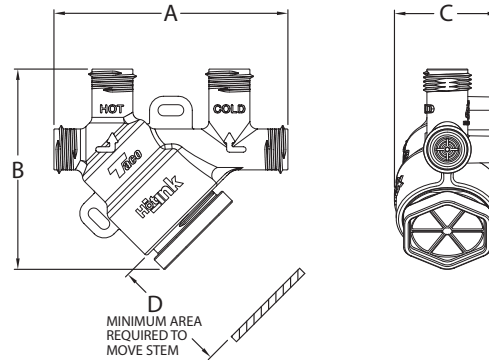
Certifications & Listings

UL US LISTED FOR INDOOR USE ONLY



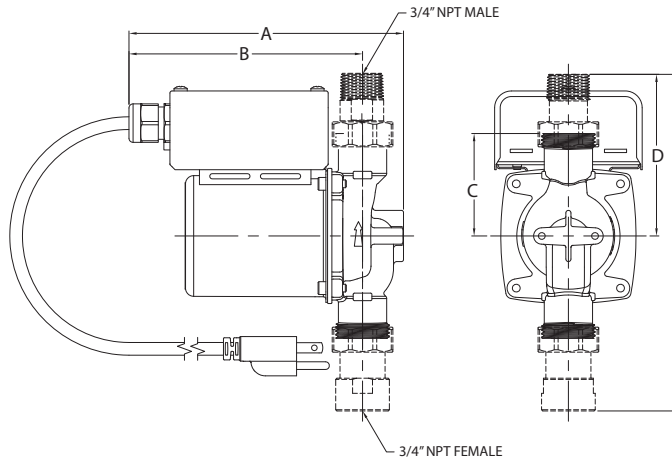
Dimensions & Weights: Hot-Link Valve

Connection	A		B		C		D		Ship Wt.	
	in.	mm	in.	mm	in.	mm	in.	mm	Lbs.	Kg
1/2" MNPT	4	102	4-7/16	87	1-3/4	41	2-1/2	64	0.37	0.17



Hot-LinkPlus Circulator (Model 006-IQST4-2)

A		B		C		D		E		F		Ship Wt.	
in.	mm	in.	mm	in.	mm	in.	mm	in.	mm	in.	mm	Lbs.	Kg
6-3/4	171	5-3/4	146	2-1/2	64	4	102	8-1/4	210	3-5/16	84	8.0	3.6



Electrical Data

Model	Volts	Hz	Ph	Amps	RPM	HP
Hot-LinkPlus Circulator	115	60	1	.52	3250	1/40
Motor Type	Permanent Split Capacitor Impedance Protected					

