

Double Sphere Elastomer Pump Connector



Features:

- Reduces vibration and noise in piping system
- Streamlined, flowing arches reduce turbulence, sediment build-up and the effects of thrust on the piping
- Controls thermal movement, pulsation, misalignment and electrolysis
- Under pressure, spherical shape is up to four times stronger than a cylindrical joint
- Spherical shape requires half the amount of space of cylindrical joint, and at the same time is about one-third of the weight of a cylindrical
- Standard construction of EPDM rubber. Other materials available upon request

Dimensions:

Model Number	Joint Size I.D.	Face to Face	Pressure/Vacuum		Temperature (°F)		Movement Capability				
			(psig) *	(in. Hg.)	Min.	Max.	Comp.	Elong.	Lateral (±in.)	Deflection	Weight (lbs.)
DSP0150	1 1/2"	7"	214	30	14	240	1"	3/4"	1"	30°	7.0
DSP0200	2"	7"	214	30	14	240	1"	3/4"	1"	30°	8.5
DSP0250	2 1/2"	7"	214	30	14	240	1"	3/4"	1"	30°	12.8
DSP0300	3"	7"	214	30	14	240	1"	3/4"	1"	30°	14.3
DSP0400	4"	9"	214	30	14	240	1 1/4"	1"	1 1/4"	30°	20.0
DSP0500	5"	9"	214	30	14	240	1 1/4"	1"	1 1/4"	30°	25.8
DSP0600	6"	9"	214	30	14	240	1 1/4"	1"	1 1/4"	30°	29.0
DSP0800	8"	13"	214	30	14	240	1 3/8"	1"	1 3/8"	30°	45.0
DSP1000	10"	13"	214	30	14	240	1 3/8"	1"	1 3/8"	30°	62.5
DSP1200	12"	13"	214	30	14	240	1 3/8"	1"	1 3/8"	30°	95.0
DSP1400	14"	13 1/8"	150	10	14	240	1 3/8"	1 5/8"	1 3/8"	20°	105.0

*@178°F

Dimensions are subject to change without notice, please confirm actual dimensions with factory at time of order.

JOB NAME _____
 LOCATION _____

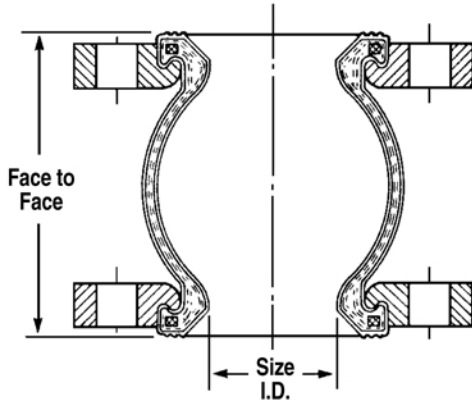
 CONTRACTOR _____
 CONTRACTOR P.O. NO. _____

ITEMS	QUANTITY
_____	_____
_____	_____
_____	_____
_____	_____
_____	_____



1005 E. Houston
 Broken Arrow, OK 74012
 Toll Free: 866-204-5229
 PH: 918-317-0401
 FAX: 918-317-0407
 www.wheatleyhvac.com
 e-mail: sales@globalflowproducts.com

Single Sphere Elastomer Pump Connector



Features:

- Reduces vibration and noise in piping system
- Streamlined, flowing arches reduce turbulence, sediment build-up and the effects of thrust on the piping
- Controls thermal movement, pulsation, misalignment and electrolysis
- Under pressure, spherical shape is up to four times stronger than a cylindrical joint
- Spherical shape requires half the amount of space of cylindrical joint, and at the same time is about one-third of the weight of a cylindrical
- Standard construction of EPDM with a hard steel wire frame and nylon cord lining

Dimensions are subject to change without notice, please confirm actual dimensions with factory at time of order.

Dimensions:

Model No.	Joint Size I.D.	Face to Face	Pressure/Vacuum		Temperature (°F)		Movement Capability				
			(psig)	Bursting Pressure	Min.	Max.	Comp.	Elong.	Lateral (±in.)	Deflection	Wt. (lbs.)
SSP0150	1 1/2"	6"	227	680	14	240	1/2"	3/8"	1/2	15°	7.0
SSP0200	2"	6"	227	680	14	240	1/2"	3/8"	1/2	15°	8.8
SSP0250	2 1/2"	6"	227	680	14	240	1/2"	3/8"	1/2	15°	12.5
SSP0300	3"	6"	227	680	14	240	1/2"	3/8"	1/2	15°	14.0
SSP0400	4"	6"	227	680	14	240	5/8"	3/8"	1/2	15°	18.0
SSP0500	5"	6"	227	680	14	240	5/8"	3/8"	1/2	15°	22.5
SSP0600	6"	6"	227	680	14	240	5/8"	3/8"	1/2	15°	26.8
SSP0800	8"	6"	227	680	14	240	5/8"	3/8"	1/2	15°	37.8
SSP1000	10"	8"	227	680	14	240	3/4"	1/2"	3/4	15°	55.5
SSP1200	12"	8"	227	680	14	240	3/4"	1/2"	3/4	15°	83.0
SSP1400	14"	8"	227	680	14	240	3/4"	1/2"	3/4	15°	100.0
SSP1600	16"	8"	227	680	14	240	3/4"	1/2"	3/4	15°	120.0
SSP1800	18"	8"	227	680	14	240	3/4"	1/2"	3/4	15°	140.0
SSP2000	20"	8"	142	426	14	240	3/4"	1/2"	3/4	15°	170.0
SSP2400	24"	10"	142	426	14	240	3/4"	1/2"	3/4	15°	255.0

JOB NAME _____
 LOCATION _____

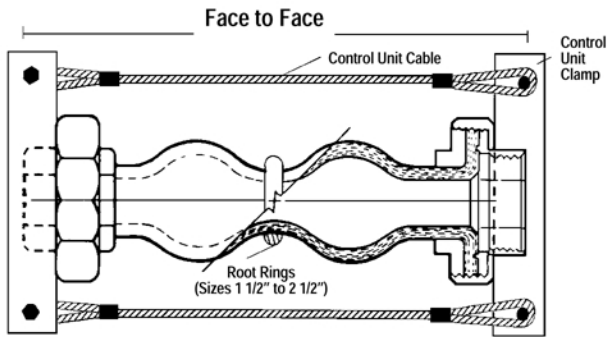
 CONTRACTOR _____
 CONTRACTOR P.O. NO. _____

ITEMS	QUANTITY
_____	_____
_____	_____
_____	_____
_____	_____
_____	_____
_____	_____



1005 E. Houston
 Broken Arrow, OK 74012
 Toll Free: 866-204-5229
 PH: 918-317-0401
 FAX: 918-317-0407
 www.wheatleyhvac.com
 e-mail: sales@globalflowproducts.com

Double Union Elastomer Pump Connector



Features:

- Reduces vibration and noise in piping system
- Streamlined, flowing arches reduce turbulence, sediment build-up and the effects of thrust on the piping
- Controls thermal movement, pulsation, misalignment and electrolysis
- Under pressure, spherical shape is up to four times stronger than a cylindrical joint
- Spherical shape requires half the amount of space of cylindrical joint, and at the same time is about one-third of the weight of a cylindrical
- Root rings furnished on 1 1/2" — 2 1/2"
- Standard construction of chemical resistant Neoprene. Other materials available upon request

Bill of Materials

Item	Part Name	Material
1	Female Union	Galvanized Steel
2	Reinforcing Cloth	Nylon Fabric
3	Elastomer	Neoprene

Dimensions:

Model Number	Joint Size I.D.	Face to Face	Pressure/Vacuum		Temperature (°F)		Movement Capability				Weight (lbs.)
			(psig)	(in. Hg.)	Min.	Max.	Comp.	Elong.	Lateral Deflection	Angular Deflection	
DUT0075	3/4"	6 1/2"	150	10	14	220	1 1/4"	3/16"	1	50°	2
DUT0100	1"	6 3/4"	150	10	14	220	1 1/4"	3/16"	1	50°	3
DUT0125	1 1/4"	7"	150	10	14	220	1 1/4"	3/16"	1	50°	4
DUT0150	1 1/2"	7 1/4"	150	10	14	220	1 1/4"	3/16"	1	50°	5
DUT0200	2"	8 1/2"	150	10	14	220	1 1/4"	3/16"	1	50°	6
DUT0250	2 1/2"	9"	150	10	14	220	1 1/4"	3/16"	1	50°	8

Dimensions are subject to change without notice, please confirm actual dimensions with factory at time of order.

JOB NAME _____
 LOCATION _____

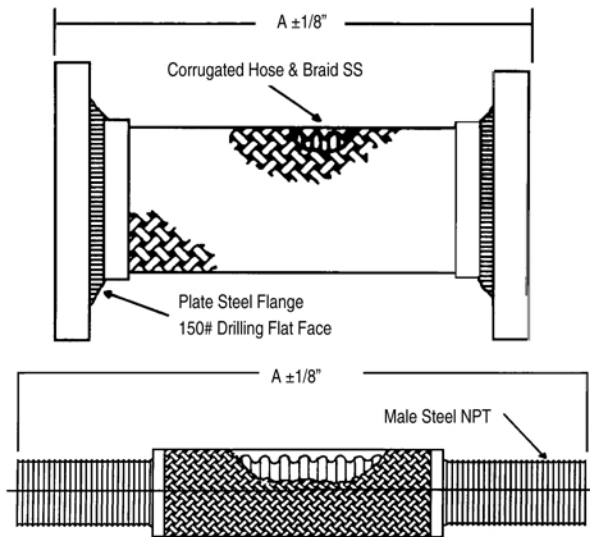
 CONTRACTOR _____
 CONTRACTOR P.O. NO. _____

ITEMS	QUANTITY
_____	_____
_____	_____
_____	_____
_____	_____
_____	_____

Stainless Steel Pump Connectors

Standard Features:

- Constructed of stainless steel annular corrugated metal surrounded with a woven wire braid of high tensile stainless steel
- High pressure and temperature capabilities
- Absorbs pump vibration and noise
- Reduces piping stress due to minor misalignment and pressure variations



*Ratings for constant pressures. Use 1/2 of ratings for pulsating pressures and 1/6 of ratings for surge pressures.

For Temperatures Above 70°F

For safe working pressures above 70°F, multiply pressure shown at 70°F by correction factor of required temperature.

Correction Factors

Temperature °F	Factor
70	1.00
200	.94
300	.88
400	.83
500	.78
600	.74

Dimensions are subject to change without notice, please confirm actual dimensions with factory at time of order.

Dimensions

Model No.	Pipe Size x Length (A)	Pressure @ 70°F*
Mini Length: Flanged Ends		
SS0209	2 x 9	350
SS2509	2½ x 9	275
SS0309	3 x 9	275
SS0409	4 x 9	230
SS0511	5 x 11	265
SS0611	6 x 11	240
SS0812	8 x 12	185
SS1013	10 x 13	165
SS1214	12 x 14	155
SS1414	14 x 14	150
Long Length: Flanged Ends		
SM0210	2 x 10	350
SM2510	2½ x 10¼	275
SM0310	3 x 10½	275
SM0411	4 x 11¼	230
SM0513	5 x 13½	265
SM0614	6 x 14½	240
SM0815	8 x 15½	185
SM1017	10 x 17¼	165
SM1218	12 x 18½	155
SM1420	14 x 20	150
Extended Length: Flanged Ends		
SL0212	2 x 12	350
SL2512	2½ x 12	275
SL0314	3 x 14	275
SL0416	4 x 16	230
SL0518	5 x 18	265
SL0620	6 x 20	240
SL0822	8 x 22	185
SL1024	10 x 24	165
SL1226	12 x 26	155
SL1428	14 x 28	150
Standard Length: Threaded Ends		
ST0510	½ x 10	750
ST7510	¾ x 10	750
ST0110	1 x 10	650
ST1210	1¼ x 10	550
ST1510	1½ x 10	500
ST0214	2 x 14	475
ST2516	2½ x 16	375
ST0316	3 x 16	325

JOB NAME _____
 LOCATION _____

 CONTRACTOR _____
 CONTRACTOR P.O. NO. _____

ITEMS	QUANTITY
_____	_____
_____	_____
_____	_____
_____	_____
_____	_____
_____	_____