

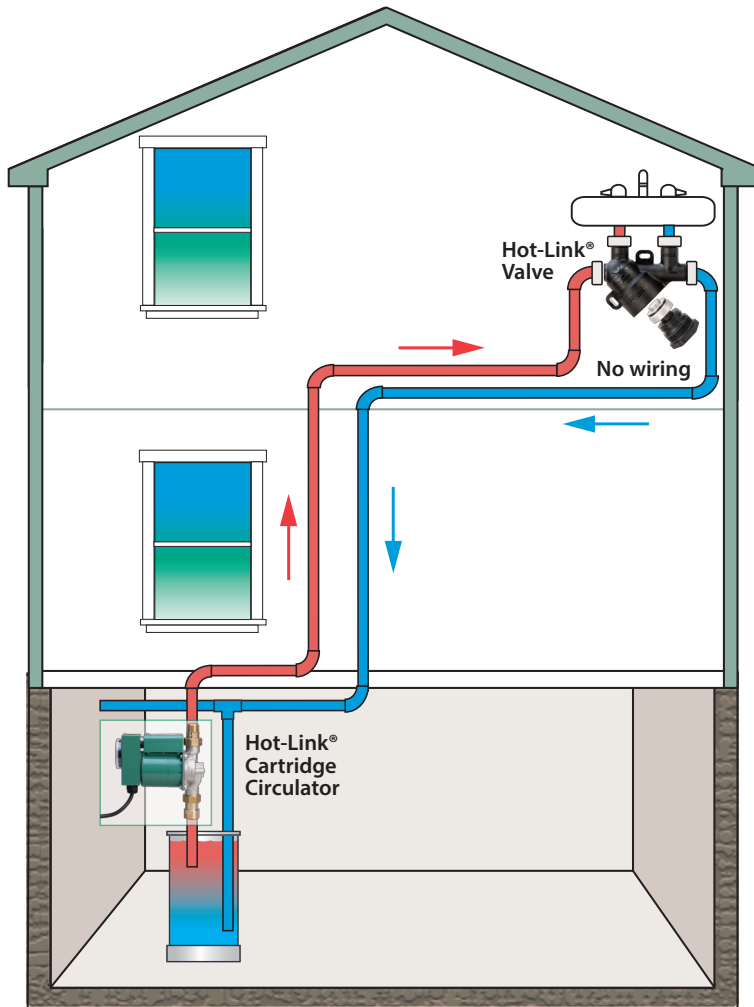
Hot-Link® Domestic Hot Water Recirculation System

The Taco HLS-2 Hot-Link® System for domestic hot water recirculation reduces the time it takes for hot water comfort to reach showers and faucets. The Hot-Link System can save an average family up to 12,000 gallons of water per year and it's easy to retrofit to an existing plumbing system.



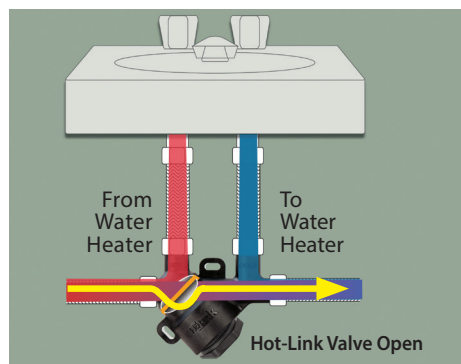
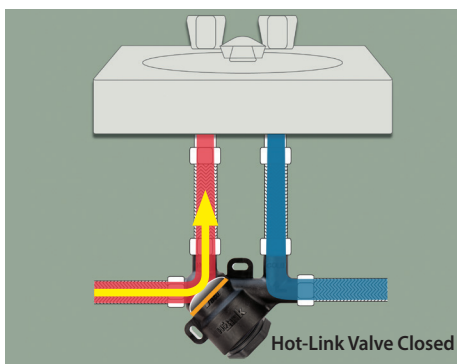
Features

Hot-Link delivers instant hot water using existing plumbing system!



Features:

- Exclusive clean-in-place undersink valve design
 - Extends valve life
 - Reduces customer calls to replace "plugged" valves
- Creates a domestic hot water recirculation system without dedicated return loop piping
- Easy to retrofit to existing plumbing system
- Conserves water by greatly reducing the time it takes to get hot water
- Analog clock timer allows you to set the system to work during peak usage hours or to work continuously
- System includes an HLS-2 Hot-Link cartridge circulator, adapter unions, a Hot-Link bypass valve and flex hoses
- 3 Year Warranty



LEFT: No under-sink electricity needed. The Hot-Link circulator is mounted at the water heater.



Typical Hot-Link® Schematic



Save Energy, Water and Time! Link up to instant hot water comfort!

Hot water without the waste!

The Taco Hot-Link® System for domestic hot water recirculation reduces the time it takes for hot water comfort to reach showers and faucets by recirculating “cooled” water back to the water heater; hot water lines remain hot. **The Hot-Link System can save an average family up to 12,000 gallons per year** — water that normally goes down the drain while waiting for hot water.

How the Hot-Link System works.

A quiet and efficient Hot-Link circulator is installed at the water heater and a Hot-Link bypass valve is easily installed at the faucet furthest away from the hot water heater. The thermal disk technology tells the Hot-Link bypass valve what to do. No under sink electricity is needed.

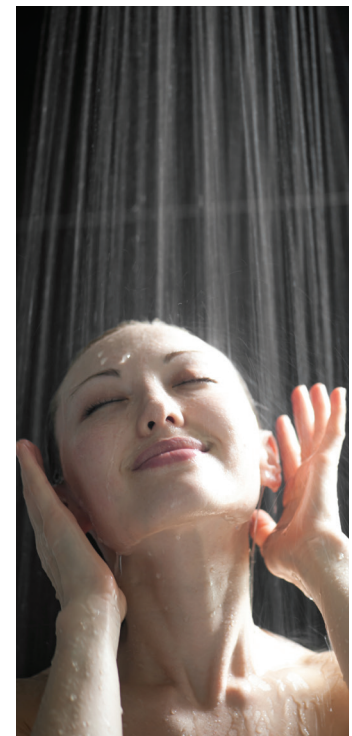
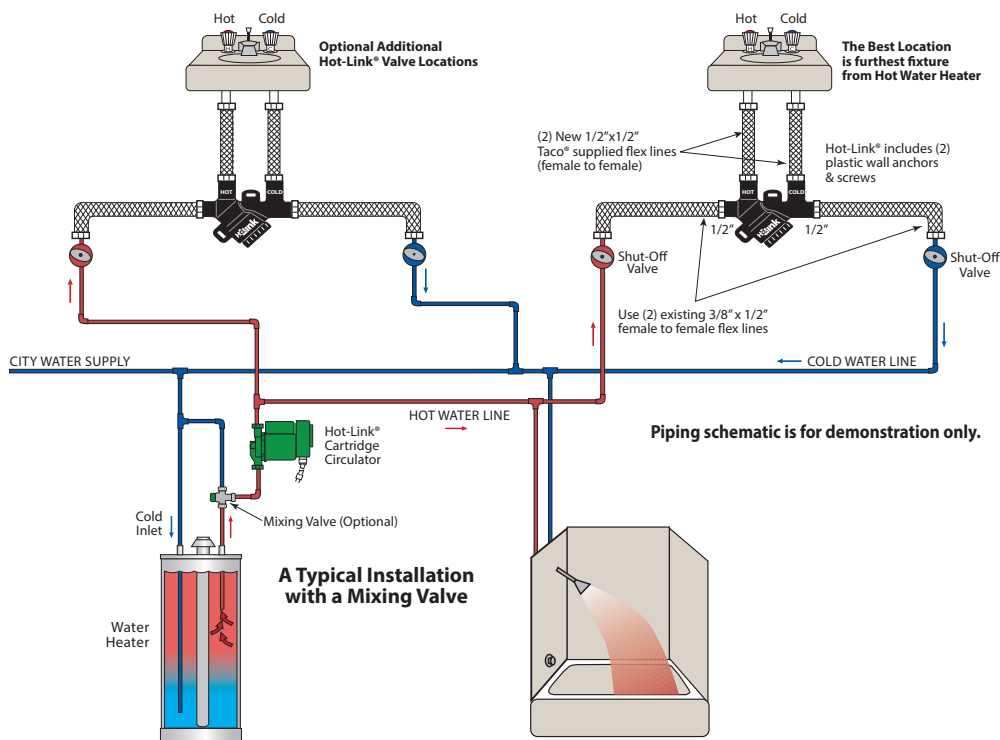
needed to install and operate the Hot-Link System is included in the box. Simply set the Hot-Link circulator timer to work during peak usage hours or to work continuously.

Hot-Link System is easy to install.

The Hot-Link System circulator is installed at the water heater. Simply plug the 6' power cord into any standard 120V electrical outlet; no electrician required. Everything

Benefits of the Hot-Link System.

Saves energy, water and time while providing instant hot water comfort. What's more, it's made by Taco, known by plumbing professionals as a world leader in high quality hydronic components since 1920.



Submittal Data Information

HLS-2 Hot-Link® System

For Domestic Hot Water Recirculation

Submittal Data # 101-180

Effective: 07/08/16

Supersedes: New

Hot-Link System Includes:

- Hot-Link Valve
- HLS-2 Hot-Link Circulator
- (2) Braided Flex Hoses
- (2) 3/4" Half-Unions (Male & Female)

Materials of Construction —Pump & Unions

- Casting (Volute).....Stainless Steel
- Stator Housing.....Steel
- Cartridge.....Stainless Steel
- Impeller.....Noryl
- Shaft.....Ceramic
- Bearings.....Carbon
- O-Ring.....EPDM
- Half-Unions & Tailpieces....Brass

Materials of Construction —Hot-Link Valve

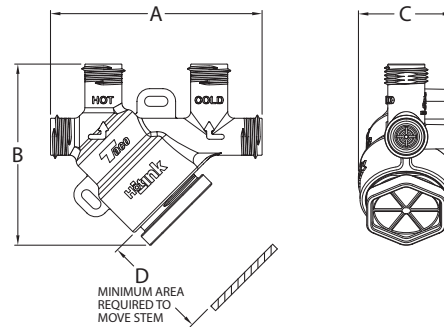
- Body.....Nylon
- Thermal Disk Actuator....Bi-Metal
- O-Ring Seals.....EPDM
- Integral Flow Check (IFC®):
 - Body, Plunger.....Acetal
 - O-Rings.....EPDM
- Screen.....304 SS
- Stem.....Nylon
- Actuator Cartridge.....Stainless Steel
- Braided Flex Hoses.....Stainless Steel

Certifications & Listings



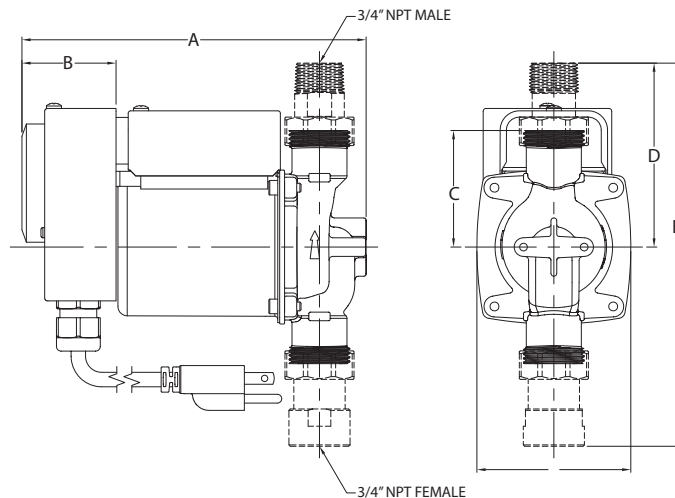
Dimensions & Weights: Hot-Link Valve

Connection	A		B		C		D		Ship Wt.	
	in.	mm	in.	mm	in.	mm	in.	mm	Lbs.	Kg
1/2" MNPT	4	102	4-7/16	87	1-3/4	41	2-1/2	64	0.37	0.17



HLS-2 Hot-Link Circulator

in.	A		B		C		D		E		F		Ship Wt.	
	mm	in.	mm	in.	mm	in.	mm	in.	mm	in.	mm	Lbs.	Kg	
7-3/8	187	2	51	2-1/2	64	4	102	8-1/4	210	3-5/16	84	8.0	3.6	



Electrical Data

Model	Volts	Hz	Ph	Amps	RPM	HP
Hot-Link Circulator	115	60	1	.52	3250	1/40
Motor Type	Permanent Split Capacitor Impedance Protected					



Taco Inc., 1160 Cranston Street, Cranston, RI 02920 / (401) 942-8000 / Fax (401) 942-2360
 Taco (Canada) Ltd., 8450 Lawson Road, Unit #3, Milton, Ontario L9T 0J8 / (905) 564-9422 / Fax (905) 564-9436