

# CORE IC CUSHION



3000 - 6500 LBS.

SPECIFICATIONS



8FGCU15-32 | 8FGCSU20

CLASS  
4

INTERNAL COMBUSTION ENGINE CUSHION TIRE

[ToyotaForklift.com](http://ToyotaForklift.com)

## CORE IC CUSHION

CAPACITY  
**3000 - 6500 LBS.**

WHEELBASE  
**48.2 - 58.5 IN.**

LOAD CENTER  
**24 IN.**

### INDUSTRIES



Distribution



Factory



General  
Manufacturing



General  
Warehousing



Paper



Retail

## STANDARD FEATURES

### DURABILITY

- Control Area Network (CAN-bus) communication
- Fully stamped steel side panels
- Moisture-resistant electric connectors
- High cooling capacity radiator with fan shroud
- Limited free-lift 2-stage mast (V)
- Low-maintenance battery
- Large-capacity engine-cooling fan
- 7" cyclone air cleaner with high positioned external air intake (6" dia. on 8FGCU15-18 & 8FGCSU20)
- Plate-iron front fenders
- Anti-restart ignition key switch
- Stamped steel engine hood
- Fully sealed air intake system
- Self-adjusting brakes
- Rear wheel well covers
- Scratch zones on both sides of counterweight

### SUPPORT

- System of Active Stability™ (SAS)
- Operator Presence Sensing System (OPSS)
- Bolt-on overhead guard
- Key lowering interlock
- High-durability electric horn
- Neutral start safety switch
- Asbestos-free components
- LED Headlights
- Single touch maximum speed limitation & low speed setting
- Speed control
- Key off/headlight off system

### PERFORMANCE

- EPA/CARB-certified gasoline engine with 3-Way Catalytic Converter
- Toyota 4Y-ECS 136 cu. in., 4-cylinder, OHV gasoline engine
- Distributor-less Ignition (DLI)
- UL "G" gasoline engine
- Alternator with built-in regulator
- Automatic transmission with oil cooler
- Full-floating powertrain
- Electric shift control
- LCD multi-function display – includes:
  - Data log, fuel, and operation information with QR code output
  - Master warning, wheel, direction, and mast tilt indicators
  - Various hours meters
- Engine coolant temperature gauge
- Fuel gauge (excluding LP)
- Check engine light
- Engine oil pressure warning light
- OPSS activation light
- Parking brake indicator
- SAS/OPSS warning light

### ERGONOMICS

- Dash-mounted instrument display
- 11.8"-dia. two-spoke steering wheel
- Heavy-duty non-slip rubber floor mat
- 12"-long dual operator assist grips
- Load-sensing hydrostatic power steering
- Independent brake & inching pads
- Cowl-mounted hydraulic control levers
- Low, wide-entry steps
- Non-cinching seatbelt
- Foot-activated parking brake
- Oversized cup holder
- Dash-integrated amenity tray
- Vinyl 4-way adjustable full-suspension seat
- Slim profile, tilt steering column
- One-way automatic fork leveling
- Integrated headlight & turn signal lever

### SERVICEABILITY

- Easy-access, no tools required floorboard
- Engine hood assist damper with lock device
- Easy-lift engine hood with wide 75° opening
- Air cleaner discharge valve
- Dash-mounted brake fluid level check
- Externally-mounted hydraulic oil return filter

Please contact your local, authorized Toyota Dealer for a complete list of available options.

## OPTIONAL EQUIPMENT

- Travel speed/acceleration control system
- Hydraulic accumulator
- Intelli-Shift
- Orange seatbelt
- Rear assist grip with horn button
- Rustproof spec
- Mini-lever controls with ErgoShift
- Joystick controls with ErgoShift
- Swivel seat
- Synchronized steering
- LED front combination lights
- LED rear combination lights
- 12-Volt power supply
- EZ Pedal (foot directional control)
- Plate fin radiator
- Radiator screen
- Fire extinguisher
- Steering wheel with knob
- Polished & tapered forks
- Integral & hang-on sidershifters
- Integral side shifting fork positioner
- Bottler's tilt
- LPG low-fuel warning light & alarm
- High-capacity 70-amp alternator with built-in regulator
- Strobe lights
- Step-mounted toolbox with cover
- Cloth 4-way adjustable full-suspension seat
- Back up alarms
- Combination brake & inching pedal
- Pre-cleaner for air intake
- Rearview mirrors
- Wide tread tires
- Non-marking tires
- UL "GS" gasoline model
- 4Y-ECS high-power engine
- Fuel system configurations with swing-out tank bracket & one-touch latch system
  - UL-LP
  - UL-LPS
  - UL-LP/G dual fuel
- Swing-down LPG tank bracket
- Tilt cylinder boots
- Seatbelt Interlock
- Reverse-activated blue light
- Standard steel cab
- Drive-in OHG



# TRUCK SPECIFICATIONS

MODEL NUMBERS

GENERAL DATA				8FGCU15	8FGCU18	8FGCSU20	8FGCU20
Load Capacity		lb (kg)		3000 (1350)	3500 (1600)	4000 (1800)	4000 (1800)
Power Type				Gasoline	Gasoline	Gasoline	Gasoline
Operator Position				Seated Rider	Seated Rider	Seated Rider	Seated Rider
Tire Type		Front / Rear		Cushion / Cushion	Cushion / Cushion	Cushion / Cushion	Cushion / Cushion
Wheels (x = driven)		Front / Rear		2x / 2	2x / 2	2x / 2	2x / 2
EXTERIOR DIMENSIONS				8FGCU15	8FGCU18	8FGCSU20	8FGCU20
<b>A</b>	Maximum Fork Height (top of forks)		in (mm)	131 (3335)	131 (3335)	131.5 (3340)	131.5 (3340)
<b>B</b>	Free Lift (top of forks)		in (mm)	5.7 (145)	5.7 (145)	5.9 (145)	5.9 (150)
<b>C</b>	Fork Size (T x W x L)		in (mm)	1.4 x 4 x 42 (35 x 100 x 1070)	1.4 x 4 x 42 (35 x 100 x 1070)	1.6 x 5 x 42 (40 x 125 x 1070)	1.6 x 5 x 42 (40 x 125 x 1070)
<b>D</b>	Fork Spread Max. / Min. (outer edge to edge)		in (mm)	32 (810) / 8 (200)	32 (810) / 8 (200)	32 (810) / 10 (250)	36 / 10 (920 / 250)
<b>E</b>	Tilt Range (forward / backward)		deg	6 / 10	6 / 10	6 / 10	6 / 10
<b>F</b>	Length to Fork Face		in (mm)	82.3 (2090)	84.6 (2150)	86.4 (2195)	91.2 (2315)
<b>G</b>	Overall Width		in (mm)	37.2 (945)	37.2 (945)	37.2 (945)	41.9 (1065)
<b>H</b>	Mast Lowered Height		in (mm)	83.1 (2110)	83.1 (2110)	83.1 (2110)	83.3 (2115)
<b>I</b>	Mast Extended Height (top of load backrest)		in (mm)	179.3 (4555)	179.3 (4555)	179.5 (4560)	179.5 (4560)
<b>J</b>	Overhead Guard Height		in (mm)	80.1 (2035)	80.1 (2035)	80.1 (2035)	80.7 (2050)
<b>K</b>	Turning Radius (inside / outside)		in (mm)	67.5 (1720)	70 (1780)	71.3 (1810)	75.6 (1920)
<b>L</b>	Load Distance		in (mm)	15.7 (400)	15.7 (400)	16.3 (415)	16.7 (425)
<b>M</b>	Rear Overhang		in (mm)	18.3 (465)	20.7 (525)	21.9 (555)	15.9 (405)
<b>N</b>	Basic Right-Angle Stacking Aisle Width		in (mm)	83.5 (2120)	86 (2180)	87.6 (2225)	92.3 (2345)
PERFORMANCE DATA				8FGCU15	8FGCU18	8FGCSU20	8FGCU20
Speeds	Maximum Travel (forward / reverse)	Full Load	mph (km/h)	10.9 (17.5) / 10.9 (17.5)	10.9 (17.5) / 10.9 (17.5)	10.9 (17.5) / 10.9 (17.5)	10.6 / 10.6 (17.0 / 17.0)
		No Load	mph (km/h)	10.9 (17.5) / 10.9 (17.5)	10.9 (17.5) / 10.9 (17.5)	10.9 (17.5) / 10.9 (17.5)	10.6 / 10.6 (17.0 / 17.0)
	Lifting	Full Load	fpm (mm/sec)	110 (560)	110 (560)	110 (560)	120 (610)
		No Load	fpm (mm/sec)	114 (580)	114 (580)	114 (580)	126 (640)
	Lowering	Full Load	fpm (mm/sec)	98 (500)	98 (500)	98 (500)	98 (500)
		No Load	fpm (mm/sec)	108 (550)	108 (550)	108 (550)	98 (500)
Drawbar Pull	Maximum	Full Load	lb (kg)	3750 (1700)	3750 (1700)	3750 (1700)	4200 (18500)
		No Load	lb (kg)	1550 (700)	1450 (650)	1450 (650)	1850 (8300)
Gradeability	1 mph (1.5 km/h) <sup>1</sup>	Full Load	%	39	34	31	36
		No Load	%	43	40	35	36
	Maximum <sup>1</sup>	No Load	%	20	18	18	21
TRUCK WEIGHTS				8FGCU15	8FGCU18	8FGCSU20	8FGCU20
Total Weight		lb (kg)		5890 (2670)	6410 (2910)	6900 (3130)	7130 (3240)
Weight Distribution	Full Load (front / rear)		lb (kg)	7810 (3540) / 1080 (510)	8560 (4100) / 1350 (610)	9575 (4490) / 1325 (640)	9810 (4620) / 1320 (620)
	No Load (front / rear)		lb (kg)	2340 (1060) / 3550 (1610)	2180 (990) / 4230 (1920)	2200 (1000) / 4700 (2130)	3020 (1370) / 4110 (1870)
TIRES				8FGCU15	8FGCU18	8FGCSU20	8FGCU20
Tires	Number (front / rear)			2 / 2	2 / 2	2 / 2	2 / 2
	Size	Front		18 x 6 x 12-1/8	18 x 6 x 12-1/8	18 x 6 x 12-1/8	21 x 7 x 15
		Rear		14 x 4-1/2 x 8	14 x 4-1/2 x 8	14 x 5 x 10	16 x 5 x 10-1/2
Wheelbase		in (mm)		48.2 (1225)	48.2 (1225)	48.2 (1225)	58.5 (1485)
Tread Width (front / rear)		in (mm)		31.3 (795) / 32.2 (820)	31.3 (795) / 32.2 (820)	31.3 (795) / 32.2 (820)	35.0 (890) / 36.0 (915)
Underclearance (full load)	Minimum with Load		in (mm)	2.6 (65)	2.8 (70)	2.8 (70)	2.8 (70)
	Center of Wheelbase		in (mm)	4.1 (105)	4.1 (105)	4.1 (105)	4.1 (105)
Brake	Service (foot) / Parking			Hydraulic / Mechanical	Hydraulic / Mechanical	Hydraulic / Mechanical	Hydraulic / Foot
POWER SYSTEM				8FGCU15	8FGCU18	8FGCSU20	8FGCU20
Battery (5-hour rating)		V / Ah		12 / 48	12 / 48	12 / 48	12 / 48
Internal Combustion Engine	Make / Model			TOYOTA 4Y - ECS	TOYOTA 4Y - ECS	TOYOTA 4Y - ECS	TOYOTA 4Y - ECS
	Rated Horsepower @ rpm	SAE HP		48 @ 2250 Net	48 @ 2250 Net	48 @ 2250 Net	51 @ 2570 Net
		(kW)		(36 @ 2250)	(36 @ 2250)	(36 @ 2250)	(38 @ 2570)
	Rated Torque @ rpm	SAE ft-lb		118 @ 2100 Net	118 @ 2100 Net	118 @ 2100 Net	118 @ 2100 Net
		(N-m)		(160 @ 2100)	(160 @ 2100)	(160 @ 2100)	(160 @ 2100)
	Number of Cylinders				4	4	4
Piston Displacement		cu in (cc)		136 (2237)	136 (2237)	136 (2237)	136 (2237)
Fuel Tank Capacity		US gal (liter)		7.1 (27)	7.1 (27)	7.1 (27)	11.9 (45)
Transmission	Type			Powershift	Powershift	Powershift	Powershift
	Speeds (forward / reverse)			1 / 1	1 / 1	1 / 1	1 / 1
Auxiliary Hydraulic Function Specifications (for attachments) <sup>2</sup>	Max. Operating Pressure		psi (kg/cm <sup>2</sup> )	2275 (160)	2275 (160)	2275 (160)	2275 (160)
	Max. Flow Rate		gpm (lpm)	16 (60.6)	16 (60.6)	16 (60.6)	20 (75.7)

1 Computed values. Performance of LPG fuel system may be less than performance of standard model shown.  
 2 Values taken at Hydraulic Control Valve. Does not take in to consideration losses through mast plumbing (hosing, fittings, QDs, etc.).

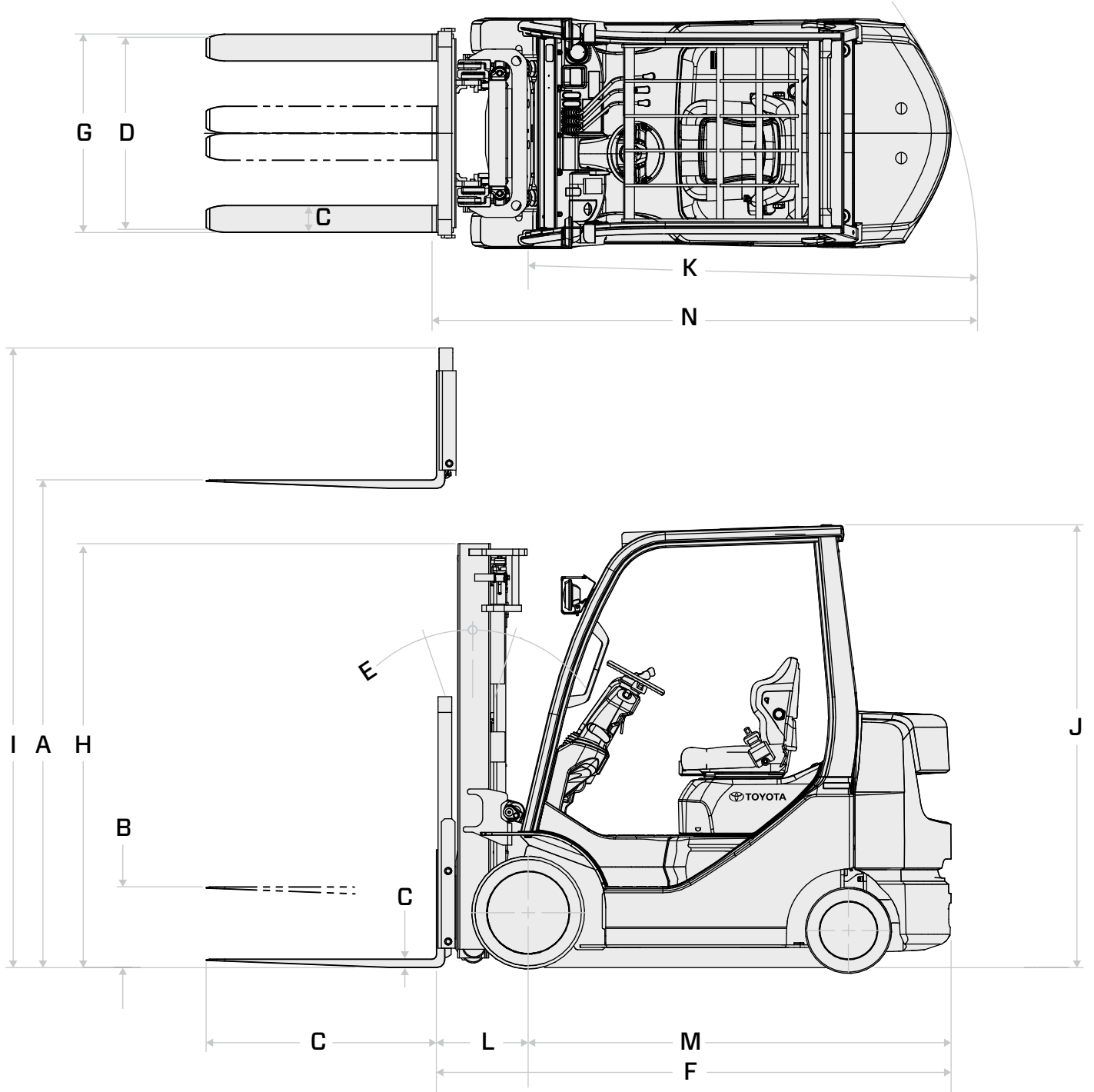
**MODEL NUMBERS**

GENERAL DATA				8FGCU25	8FGCU30	8FGCU32	
Load Capacity	lb (kg)			5000 (2250)	6000 (2700)	6500 (3000)	
Power Type				Gasoline	Gasoline	Gasoline	
Operator Position				Seated Rider	Seated Rider	Seated Rider	
Tire Type	Front / Rear	Cushion / Cushion			Cushion / Cushion	Cushion / Cushion	
Wheels (x = driven)	Front / Rear	2x / 2			2x / 2	2x / 2	
EXTERIOR DIMENSIONS				8FGCU25	8FGCU30	8FGCU32	
<b>A</b> Maximum Fork Height (top of forks)	in (mm)	131.5 (3340)			131.5 (3345)	131.5 (3345)	
<b>B</b> Free Lift (top of forks)	in (mm)	5.9 (150)			5.3 (135)	5.3 (135)	
<b>C</b> Fork Size (T x W x L)	in (mm)	1.6 x 5 x 42 (40 x 125 x 1070)			1.8 x 5 x 42 (45 x 125 x 1070)	1.8 x 5 x 42 (45 x 125 x 1070)	
<b>D</b> Fork Spread Max. / Min. (outer edge to edge)	in (mm)	36 (920) / 10 (250)			38.2 (970) / 10 (250)	38.2 (970) / 10 (250)	
<b>E</b> Tilt Range (forward / backward)	deg	6 / 10			6 / 10	6 / 10	
<b>F</b> Length to Fork Face	in (mm)	93.7 (2380)			97.4 (2475)	98.6 (2505)	
<b>G</b> Overall Width	in (mm)	41.9 (1065)			43.7 (1110)	43.7 (1110)	
<b>H</b> Mast Lowered Height	in (mm)	83.3 (2115)			83.1 (2110)	83.1 (2110)	
<b>I</b> Mast Extended Height (top of load backrest)	in (mm)	179.5 (4560)			179.7 (4565)	179.7 (4565)	
<b>J</b> Overhead Guard Height	in (mm)	80.7 (2050)			80.7 (2050)	80.7 (2050)	
<b>K</b> Turning Radius (inside / outside)	in (mm)	77.6 (1970)			80 (2030)	81.1 (2060)	
<b>L</b> Load Distance	in (mm)	16.7 (425)			17.7 (450)	17.7 (450)	
<b>M</b> Rear Overhang	in (mm)	18.5 (470)			21.3 (540)	22.4 (570)	
<b>N</b> Basic Right-Angle Stacking Aisle Width	in (mm)	94.3 (2395)			97.5 (2480)	98.8 (2510)	
PERFORMANCE DATA				8FGCU25	8FGCU30	8FGCU32	
Speeds	Maximum Travel (forward / reverse)	Full Load	mph (km/h)	10.6 (17.0) / 10.6 (17.0)	10.6 (17.0) / 10.6 (17.0)	10.6 (17.0) / 10.6 (17.0)	
		No Load	mph (km/h)	10.6 (17.0) / 10.6 (17.0)	10.6 (17.0) / 10.6 (17.0)	10.6 (17.0) / 10.6 (17.0)	
	Lifting	Full Load	fpm (mm/sec)	120 (610)	98 (500)	98 (500)	
		No Load	fpm (mm/sec)	126 (640)	104 (530)	104 (530)	
	Lowering	Full Load	fpm (mm/sec)	98 (500)	98 (500)	98 (500)	
		No Load	fpm (mm/sec)	98 (500)	98 (500)	98 (500)	
Drawbar Pull	Maximum	Full Load	lb (kg)	4200 (18500)	4200 (18500)	4200 (18500)	
		No Load	lb (kg)	1750 (7800)	1750 (7800)	1750 (7800)	
Gradeability	1 mph (1.5 km/h) <sup>1</sup>	Full Load	%	30	22	22	
		Maximum <sup>1</sup>	Full Load	%	31	25	25
			No Load	%	17	16	16
TRUCK WEIGHTS				8FGCU25	8FGCU30	8FGCU32	
Total Weight	lb (kg)			8000 (3630)	9300 (4200)	9700 (4410)	
Weight Distribution	Full Load (front / rear)	lb (kg)			11310 (5340) / 1690 (790)	13340 (6310) / 1960 (910)	14080 (6670) / 2120 (990)
	No Load (front / rear)	lb (kg)			2920 (1280) / 5180 (2350)	3070 (1390) / 6230 (2830)	2950 (1340) / 6750 (3070)
TIRES				8FGCU25	8FGCU30	8FGCU32	
Tires	Number (front / rear)			2 / 2	2 / 2	2 / 2	
	Size	Front	21 x 7 x 15			21 x 8 x 15	21 x 8 x 15
		Rear	16 x 5 x 10-1/2			16 x 6 x 10-1/2	16 x 6 x 10-1/2
Wheelbase	in (mm)			58.5 (1485)	58.5 (1485)	58.5 (1485)	
Tread Width (front / rear)	in (mm)			35.0 (890) / 36.0 (915)	35.8 (910) / 36.0 (915)	35.8 (910) / 36.0 (915)	
Underclearance (full load)	Minimum with Load	in (mm)			2.8 (70)	2.6 (65)	2.6 (65)
	Center of Wheelbase	in (mm)			4.1 (105)	4.1 (105)	4.1 (105)
Brake	Service (foot) / Parking			Hydraulic / Foot	Hydraulic / Foot	Hydraulic / Foot	
POWER SYSTEM				8FGCU25	8FGCU30	8FGCU32	
Battery (5-hour rating)	V / Ah			12 / 48	12 / 48	12 / 48	
Internal Combustion Engine	Make / Model			TOYOTA 4Y - ECS	TOYOTA 4Y - ECS	TOYOTA 4Y - ECS	
	Rated Horsepower @ rpm	SAE HP	51 @ 2570 Net			51 @ 2570 Net	51 @ 2570 Net
		(kW)	(38 @ 2570)			(38 @ 2570)	(38 @ 2570)
	Rated Torque @ rpm	SAE ft-lb	118 @ 2100 Net			118 @ 2100 Net	118 @ 2100 Net
		(N-m)	(160 @ 2100)			(160 @ 2100)	(160 @ 2100)
	Number of Cylinders				4	4	4
Piston Displacement	cu in (cc)			136 (2237)	136 (2237)	136 (2237)	
Fuel Tank Capacity	US gal (liter)			11.9 (45)	11.9 (45)	11.9 (45)	
Transmission	Type			Powershift	Powershift	Powershift	
	Speeds (forward / reverse)			1 / 1	1 / 1	1 / 1	
Auxiliary Hydraulic Function Specifications (for attachments) <sup>2</sup>	Max. Operating Pressure	psi (kg/cm <sup>2</sup> )			2275 (160)	2275 (160)	2275 (160)
	Max. Flow Rate	gpm (lpm)			20 (75.7)	20 (75.7)	20 (75.7)

<sup>1</sup> Computed values. Performance of LPG fuel system may be less than performance of standard model shown.

<sup>2</sup> Values taken at Hydraulic Control Valve. Does not take in to consideration losses through mast plumbing (hosing, fittings, QDs, etc.).

EXTERIOR DIMENSIONS



# MAST SPECIFICATIONS

MAST TYPE	MAXIMUM FORK HEIGHT (TOP OF FORKS)	OVERALL HEIGHT			FREE-LIFT		TILT RANGE		LOAD CAPACITY AT 24 IN. (610 MM) LOAD CENTER	
		LOWERED	EXTENDED		WITHOUT LOAD BACKREST	WITH STANDARD LOAD BACKREST	FWD	BWD	NARROW TREAD	WIDE TREAD
			WITHOUT LOAD BACKREST	WITH STANDARD LOAD BACKREST <sup>1</sup>						
8FGCU15										
Wide Visible (V)	80 (2035)	57.5 (1460)	101.2 (2570)	128.1 (3255)	5.7 (145)	5.7 (145)	6	5	3000 (1350)	3000 (1350)
	119 (3035)	77.2 (1960)	140.6 (2570)	167.5 (4255)	5.7 (145)	5.7 (145)	6	10	3000 (1350)	3000 (1350)
	131 (3335)	83.1 (2110)	152.4 (3870)	179.3 (4555)	5.7 (145)	5.7 (145)	6	10	3000 (1350)	3000 (1350)
	139 (3535)	87 (2210)	164.2 (4170)	187.2 (4755)	5.7 (145)	5.7 (145)	6	10	3000 (1350)	3000 (1350)
	147 (3735)	93.3 (2370)	168.1 (4270)	195.1 (4955)	5.7 (145)	5.7 (145)	6	10	3000 (1350)	3000 (1350)
Full Free-Lift 2-Stage (FV)	119 (3035)	77.2 (1960)	138.8 (3525)	167.5 (4255)	56.5 (1435)	29.2 (740)	6	10	3000 (1350)	3000 (1350)
	131 (3335)	83.1 (2110)	150.6 (3825)	179.3 (4555)	62.4 (1585)	35.1 (890)	6	10	3000 (1350)	3000 (1350)
	139 (3535)	87 (2210)	158.5 (4025)	187.2 (4755)	66.4 (1685)	39 (990)	6	10	3000 (1350)	3000 (1350)
Full Free-Lift 3-Stage (FSV)	158.5 (4035)	73.2 (1860)	179.7 (4565)	206.9 (5255)	52.8 (1340)	25.2 (640)	6	5	3000 (1350)	3000 (1350)
	170.5 (4335)	77.2 (1960)	191.5 (4865)	218.7 (5555)	56.7 (1440)	29.2 (740)	6	5	3000 (1350)	3000 (1350)
	189 (4800)	83.1 (2110)	209.4 (5320)	237 (6020)	62.6 (1590)	35.1 (890)	6	5	2950 (1325)	2950 (1325)
	198 (5035)	87 (2210)	219.1 (5565)	246.3 (6255)	66.5 (1690)	39 (990)	6	5	2850 (1300)	2850 (1300)
	217.5 (5535)	93.3 (2370)	238.8 (6065)	265.9 (6755)	72.8 (1850)	45.3 (1150)	6	5	2300 (1050)	2750 (1250)
237.5 (6035)	100.8 (2560)	258.5 (6565)	285.6 (7255)	80.3 (2040)	52.8 (1340)	6	5	1550 (700)	2200 (1000)	

MAST TYPE	MAXIMUM FORK HEIGHT (TOP OF FORKS)	OVERALL HEIGHT			FREE-LIFT		TILT RANGE		LOAD CAPACITY AT 24 IN. (610 MM) LOAD CENTER	
		LOWERED	EXTENDED		WITHOUT LOAD BACKREST	WITH STANDARD LOAD BACKREST	FWD	BWD	NARROW TREAD	WIDE TREAD
			WITHOUT LOAD BACKREST	WITH STANDARD LOAD BACKREST <sup>1</sup>						
8FGCU18										
Wide Visible (V)	80 (2035)	57.5 (1460)	101.2 (2570)	128.1 (3255)	5.7 (145)	5.7 (145)	6	5	3500 (1600)	3500 (1600)
	119 (3035)	77.2 (1960)	140.6 (2570)	167.5 (4255)	5.7 (145)	5.7 (145)	6	10	3500 (1600)	3500 (1600)
	131 (3335)	83.1 (2110)	152.4 (3870)	179.3 (4555)	5.7 (145)	5.7 (145)	6	10	3500 (1600)	3500 (1600)
	139 (3535)	87 (2210)	164.2 (4170)	187.2 (4755)	5.7 (145)	5.7 (145)	6	10	3500 (1600)	3500 (1600)
	147 (3735)	93.3 (2370)	168.1 (4270)	195.1 (4955)	5.7 (145)	5.7 (145)	6	10	3500 (1600)	3500 (1600)
Full Free-Lift 2-Stage (FV)	119 (3035)	77.2 (1960)	138.8 (3525)	167.5 (4255)	56.5 (1435)	29.2 (740)	6	10	3500 (1600)	3500 (1600)
	131 (3335)	83.1 (2110)	150.6 (3825)	179.3 (4555)	62.4 (1585)	35.1 (890)	6	10	3500 (1600)	3500 (1600)
	139 (3535)	87 (2210)	158.5 (4025)	187.2 (4755)	66.4 (1685)	39 (990)	6	10	3500 (1600)	3500 (1600)
Full Free-Lift 3-Stage (FSV)	158.5 (4035)	73.2 (1860)	179.7 (4565)	206.9 (5255)	52.8 (1340)	25.2 (640)	6	5	3500 (1600)	3500 (1600)
	170.5 (4335)	77.2 (1960)	191.5 (4865)	218.7 (5555)	56.7 (1440)	29.2 (740)	6	5	3500 (1600)	3500 (1600)
	189 (4800)	83.1 (2110)	209.4 (5320)	237 (6020)	62.6 (1590)	35.1 (890)	6	5	3250 (1450)	3250 (1450)
	198 (5035)	87 (2210)	219.1 (5565)	246.3 (6255)	66.5 (1690)	39 (990)	6	5	3200 (1450)	3200 (1450)
	217.5 (5535)	93.3 (2370)	238.8 (6065)	265.9 (6755)	72.8 (1850)	45.3 (1150)	6	5	2800 (1250)	2800 (1250)
237.5 (6035)	100.8 (2560)	258.5 (6565)	285.6 (7255)	80.3 (2040)	52.8 (1340)	6	5	1700 (750)	1700 (750)	

<sup>1</sup> Height of standard load backrest is 48" (1220 mm). Please contact your local, authorized Toyota Dealer for a complete list of available options and their lifting capacities.

MAST SPECIFICATIONS

MAST TYPE	MAXIMUM FORK HEIGHT (TOP OF FORKS)	OVERALL HEIGHT				FREE-LIFT		TILT RANGE		LOAD CAPACITY AT 24 IN. (610 MM) LOAD CENTER
		LOWERED	EXTENDED		WITHOUT LOAD BACKREST	WITH STANDARD LOAD BACKREST	FWD	BWD	NARROW TREAD	
			WITHOUT LOAD BACKREST	WITH STANDARD LOAD BACKREST <sup>1</sup>						deg
8FGCSU20										
Wide Visible (V)	80 (2040)	57.5 (1460)	101.2 (2570)	128.3 (3255)	5.7 (145)	5.7 (145)	6	5	4000 (1800)	
	119.5 (3040)	77.2 (1960)	140.6 (2570)	167.7 (4255)	5.7 (145)	5.7 (145)	6	10	4000 (1800)	
	131.5 (3340)	83.1 (2115)	152.4 (3870)	179.5 (4555)	5.7 (145)	5.7 (145)	6	10	4000 (1800)	
	139 (3540)	87 (2210)	164.2 (4170)	187.4 (4755)	5.7 (145)	5.7 (145)	6	10	4000 (1800)	
	147 (3740)	93.3 (2370)	168.1 (4270)	195.3 (4955)	5.7 (145)	5.7 (145)	6	10	4000 (1800)	
Full Free-Lift 2-Stage (FV)	119.5 (3040)	77.2 (1960)	138.8 (3525)	167.7 (4255)	56.5 (1435)	29.2 (740)	6	10	4000 (1800)	
	131.5 (3340)	83.1 (2110)	150.6 (3825)	179.5 (4555)	62.4 (1585)	35.1 (890)	6	10	4000 (1800)	
	139 (3540)	87 (2210)	158.5 (4025)	187.4 (4755)	66.4 (1685)	39 (990)	6	10	4000 (1800)	
Full Free-Lift 3-Stage (FSV)	159 (4040)	73.2 (1860)	179.7 (4565)	207.1 (5255)	52.8 (1340)	25.2 (640)	6	5	4000 (1800)	
	170.5 (4340)	77.2 (1960)	191.5 (4865)	218.9 (5555)	56.7 (1440)	29.2 (740)	6	5	4000 (1800)	
	189 (4800)	83.1 (2110)	209.4 (5320)	237.2 (6020)	62.6 (1590)	35.1 (890)	6	5	3750 (1700)	
	198 (5040)	87 (2210)	219.1 (5565)	246.5 (6255)	66.5 (1690)	39 (990)	6	5	3400 (1550)	
	218 (5540)	93.3 (2370)	238.8 (6065)	266.1 (6755)	72.8 (1850)	45.3 (1150)	6	5	2400 (1100)	
	237.5 (6040)	100.8 (2560)	258.5 (6565)	285.8 (7255)	80.3 (2040)	52.8 (1340)	6	5	1650 (750)	

MAST TYPE	MAXIMUM FORK HEIGHT (TOP OF FORKS)	OVERALL HEIGHT				FREE-LIFT		TILT RANGE		LOAD CAPACITY AT 24 IN. (610 MM) LOAD CENTER	
		LOWERED	EXTENDED		WITHOUT LOAD BACKREST	WITH STANDARD LOAD BACKREST	FWD	BWD	NARROW TREAD	WIDE TREAD	
			WITHOUT LOAD BACKREST	WITH STANDARD LOAD BACKREST <sup>1</sup>							deg
8FGCU20											
Wide Visible (V)	80 (2040)	57.7 (1465)	105.9 (2690)	128.3 (3260)	5.9 (150)	5.9 (150)	6	8	4000 (1800)	4000 (1800)	
	119.5 (3040)	77.4 (1965)	145.2 (3690)	167.7 (4260)	5.9 (150)	5.9 (150)	6	10	4000 (1800)	4000 (1800)	
	131.5 (3340)	83.3 (2115)	157.1 (3990)	179.5 (4560)	5.9 (150)	5.9 (150)	6	10	4000 (1800)	4000 (1800)	
	139 (3540)	87.2 (2215)	164.9 (4190)	187.4 (4760)	5.9 (150)	5.9 (150)	6	10	4000 (1800)	4000 (1800)	
	147 (3740)	93.5 (2375)	173.8 (4390)	195.3 (4960)	5.9 (150)	5.9 (150)	6	10	4000 (1800)	4000 (1800)	
Full Free-Lift 2-Stage (FV)	159 (4040)	101 (2565)	184.6 (4690)	207.1 (5260)	5.9 (150)	5.9 (150)	6	10	4000 (1800)	4000 (1800)	
	119.5 (3040)	77.4 (1965)	143.5 (3645)	167.7 (4260)	53.6 (1360)	29.3 (745)	6	10	4000 (1800)	4000 (1800)	
	131.5 (3340)	83.3 (2115)	155.3 (3945)	179.5 (4560)	59.5 (1510)	35.2 (895)	6	10	4000 (1800)	4000 (1800)	
Full Free-Lift 3-Stage (FSV)	139 (3540)	87.2 (2215)	163.1 (4145)	187.4 (4760)	63.4 (1610)	39.2 (995)	6	10	4000 (1800)	4000 (1800)	
	159 (4040)	73.2 (1860)	184.2 (4675)	207.1 (5260)	48.1 (1220)	25.2 (640)	6	5	4000 (1800)	4000 (1800)	
	170.5 (4340)	77.2 (1960)	196 (4975)	218.9 (5560)	52 (1320)	29.1 (740)	6	5	4000 (1800)	4000 (1800)	
	189 (4800)	83.1 (2110)	214.3 (5440)	237 (6020)	57.9 (1470)	35 (890)	6	5	3950 (1800)	3950 (1800)	
	198 (5040)	87 (2210)	223.6 (5675)	246.5 (6260)	61.9 (1570)	39 (990)	6	5	3900 (1750)	3900 (1750)	
	218 (5540)	93.3 (2370)	243.3 (6175)	266.1 (6760)	68.2 (1730)	45.3 (1150)	6	5	3550 (1600)	3800 (1700)	
Full Free-Lift 4-Stage (QFV)	237.5 (6040)	100.8 (2560)	263 (6675)	285.8 (7260)	75.6 (1920)	52.8 (1340)	6	5	2800 (1250)	3350 (1500)	
	241.5 (6135)	83.1 (2110)	262.6 (6670)	289.6 (7355)	62.1 (1575)	35 (890)	6	5	2500 (1150) <sup>2</sup>	2900 (1300)	
	259.5 (6595)	89 (2260)	280.7 (7130)	307.7 (7815)	68 (1725)	40.9 (1040)	6	5	1750 (800) <sup>2</sup>	2500 (1150)	
	278 (7055)	95.3 (2420)	298.8 (7590)	325.8 (8275)	74.3 (1885)	47.2 (1200)	6	5	950 (450) <sup>2</sup>	1850 (850)	

1 Height of standard load backrest is 48" (1220 mm).  
 2 TSDR only.  
 Attachment capacities (including sideshifters) are located in Section 6.1 - Lifting Capacities for Options.



MAST TYPE	MAXIMUM FORK HEIGHT (TOP OF FORKS)	OVERALL HEIGHT			FREE-LIFT		TILT RANGE		LOAD CAPACITY AT 24 IN. (610 MM) LOAD CENTER	
		LOWERED	EXTENDED		WITHOUT LOAD BACKREST	WITH STANDARD LOAD BACKREST	FWD	BWD	NARROW TREAD	WIDE TREAD
			WITHOUT LOAD BACKREST	WITH STANDARD LOAD BACKREST <sup>1</sup>						
<b>8FGCU25</b>										
Wide Visible (V)	80 (2040)	57.7 (1465)	105.9 (2690)	128.3 (3260)	5.9 (150)	5.9 (150)	6	8	5000 (2250)	5000 (2250)
	119.5 (3040)	77.4 (1965)	145.2 (3690)	167.7 (4260)	5.9 (150)	5.9 (150)	6	10	5000 (2250)	5000 (2250)
	131.5 (3340)	83.3 (2115)	157.1 (3990)	179.5 (4560)	5.9 (150)	5.9 (150)	6	10	5000 (2250)	5000 (2250)
	139 (3540)	87.2 (2215)	164.9 (4190)	187.4 (4760)	5.9 (150)	5.9 (150)	6	10	5000 (2250)	5000 (2250)
	147 (3740)	93.5 (2375)	173.8 (4390)	195.3 (4960)	5.9 (150)	5.9 (150)	6	10	5000 (2250)	5000 (2250)
Full Free-Lift 2-Stage (FV)	159 (4040)	101 (2565)	184.6 (4690)	207.1 (5260)	5.9 (150)	5.9 (150)	6	10	5000 (2250)	5000 (2250)
	119.5 (3040)	77.4 (1965)	143.5 (3645)	167.7 (4260)	53.6 (1360)	29.3 (745)	6	10	5000 (2250)	5000 (2250)
	131.5 (3340)	83.3 (2115)	155.3 (3945)	179.5 (4560)	59.5 (1510)	35.2 (895)	6	10	5000 (2250)	5000 (2250)
Full Free-Lift 3-Stage (FSV)	139 (3540)	87.2 (2215)	163.1 (4145)	187.4 (4760)	63.4 (1610)	39.2 (995)	6	10	5000 (2250)	5000 (2250)
	159 (4040)	73.2 (1860)	184.2 (4675)	207.1 (5260)	48.1 (1220)	25.2 (640)	6	5	5000 (2250)	5000 (2250)
	170.5 (4340)	77.2 (1960)	196 (4975)	218.9 (5560)	52 (1320)	29.1 (740)	6	5	5000 (2250)	5000 (2250)
	189 (4800)	83.1 (2110)	214.3 (5440)	237 (6020)	57.9 (1470)	35 (890)	6	5	5000 (2250)	5000 (2250)
	198 (5040)	87 (2210)	223.6 (5675)	246.5 (6260)	61.9 (1570)	39 (990)	6	5	4600 (2100)	4600 (2100)
	218 (5540)	93.3 (2370)	243.3 (6175)	266.1 (6760)	68.2 (1730)	45.3 (1150)	6	5	3850 (1750)	4550 (2050)
Full Free-Lift 4-Stage (QFV)	237.5 (6040)	100.8 (2560)	263 (6675)	285.8 (7260)	75.6 (1920)	52.8 (1340)	6	5	2400 (1100)	3200 (1450)
	241.5 (6135)	83.1 (2110)	262.6 (6670)	289.6 (7355)	62.1 (1575)	35 (890)	6	5	2900 (1300) <sup>2</sup>	3800 (1700)
	259.5 (6595)	89 (2260)	280.7 (7130)	307.7 (7815)	68 (1725)	40.9 (1040)	6	5	1950 (900) <sup>2</sup>	2900 (1300)
	278 (7055)	95.3 (2420)	298.8 (7590)	325.8 (8275)	74.3 (1885)	47.2 (1200)	6	5	1300 (600) <sup>2</sup>	1950 (900)

MAST TYPE	MAXIMUM FORK HEIGHT (TOP OF FORKS)	OVERALL HEIGHT			FREE-LIFT		TILT RANGE		LOAD CAPACITY AT 24 IN. (610 MM) LOAD CENTER	
		LOWERED	EXTENDED		WITHOUT LOAD BACKREST	WITH STANDARD LOAD BACKREST	FWD	BWD	NARROW TREAD	WIDE TREAD
			WITHOUT LOAD BACKREST	WITH STANDARD LOAD BACKREST <sup>1</sup>						
<b>8FGCU30</b>										
Wide Visible (V)	80.5 (2045)	57.5 (1460)	107.9 (2740)	128.5 (3265)	5.3 (135)	5.3 (135)	6	8	6000 (2700)	6000 (2700)
	119.5 (3045)	77.2 (1960)	147.2 (3740)	167.9 (4265)	5.3 (135)	5.3 (135)	6	10	6000 (2700)	6000 (2700)
	131.5 (3345)	83.1 (2110)	159.1 (4040)	179.7 (4565)	5.3 (135)	5.3 (135)	6	10	6000 (2700)	6000 (2700)
	139.5 (3545)	87 (2210)	166.9 (4240)	187.6 (4765)	5.3 (135)	5.3 (135)	6	10	6000 (2700)	6000 (2700)
	147 (3745)	93.3 (2370)	174.8 (4440)	195.5 (4965)	5.3 (135)	5.3 (135)	6	10	6000 (2700)	6000 (2700)
Full Free-Lift 2-Stage (FV)	159 (4045)	100.8 (2560)	184.8 (4740)	207.3 (5265)	5.3 (135)	5.3 (135)	6	10	6000 (2700)	6000 (2700)
	119.5 (3045)	77.2 (1960)	143.9 (3655)	167.8 (4265)	53.2 (1350)	29.2 (740)	6	10	6000 (2700)	6000 (2700)
	131.5 (3345)	83.1 (2110)	155.7 (3955)	179.7 (4565)	59.1 (1500)	35.1 (890)	6	10	6000 (2700)	6000 (2700)
Full Free-Lift 3-Stage (FSV)	139.5 (3545)	87 (2210)	163.5 (4155)	187.5 (4765)	63 (1600)	39.1 (990)	6	10	6000 (2700)	6000 (2700)
	159 (4045)	77.2 (1960)	183.2 (4655)	207.2 (5265)	53.2 (1350)	29.2 (740)	6	5	6000 (2700)	6000 (2700)
	171 (4345)	83.1 (2110)	195 (4955)	219 (5565)	59.1 (1500)	35.1 (890)	6	5	6000 (2700)	6000 (2700)
	187 (4750)	87 (2210)	210.8 (5355)	234.8 (5965)	63 (1600)	39.1 (990)	6	5	6000 (2700)	6000 (2700)
	198.5 (5045)	93.3 (2370)	222.6 (5655)	246.6 (6265)	69.3 (1760)	45.4 (1150)	6	5	5900 (2650)	5900 (2650)
	218 (5545)	100.8 (2560)	242.3 (6155)	266.3 (6765)	76.8 (1950)	52.8 (1340)	6	5	5300 (2400)	5600 (2550)
Full Free-Lift 4-Stage (QFV) <sup>3</sup>	237.5 (6045)	110.6 (2810)	262 (6655)	285.9 (7265)	86.7 (2200)	62.7 (1590)	6	5	4000 (1800)	5150 (2350)
	241.5 (6135)	83.1 (2110)	262.6 (6670)	289.6 (7355)	62.1 (1575)	35 (890)	6	5	3850 (1750) <sup>2</sup>	4450 (2000)
	259.5 (6595)	89 (2260)	280.7 (7130)	307.7 (7815)	68 (1725)	40.9 (1040)	6	5	2650 (1200) <sup>2</sup>	3250 (1450)
	278 (7055)	95.3 (2420)	298.8 (7590)	325.8 (8275)	74.3 (1885)	47.2 (1200)	6	5	1650 (750) <sup>2</sup>	1900 (850)

<sup>1</sup> Height of standard load backrest is 48" (1220 mm).

<sup>2</sup> TSDR only.

<sup>3</sup> QFV mast has 36"-wide ITA Class II hook carriage.

Attachment capacities (including sideshifters) are located in Section 6.1 - Lifting Capacities for Options.

## MAST SPECIFICATIONS

MAST TYPE	MAXIMUM FORK HEIGHT (TOP OF FORKS)	OVERALL HEIGHT			FREE-LIFT		TILT RANGE		LOAD CAPACITY AT 24 IN. (610 MM) LOAD CENTER	
		LOWERED	EXTENDED		WITHOUT LOAD BACKREST	WITH STANDARD LOAD BACKREST	FWD	BWD	NARROW TREAD	WIDE TREAD
			WITHOUT LOAD BACKREST	WITH STANDARD LOAD BACKREST <sup>1</sup>						
in (mm)										
<b>8F6CU32</b>										
Wide Visible (V)	80.5 (2045)	57.5 (1460)	107.9 (2740)	128.5 (3265)	5.3 (135)	5.3 (135)	6	8	6500 (3000)	6500 (3000)
	119.5 (3045)	77.2 (1960)	147.2 (3740)	167.9 (4265)	5.3 (135)	5.3 (135)	6	10	6500 (3000)	6500 (3000)
	131.5 (3345)	83.1 (2110)	159.1 (4040)	179.7 (4565)	5.3 (135)	5.3 (135)	6	10	6500 (3000)	6500 (3000)
	139.5 (3545)	87 (2210)	166.9 (4240)	187.6 (4765)	5.3 (135)	5.3 (135)	6	10	6500 (3000)	6500 (3000)
	147 (3745)	93.3 (2370)	174.8 (4440)	195.5 (4965)	5.3 (135)	5.3 (135)	6	10	6500 (3000)	6500 (3000)
Full Free-Lift 2-Stage (FV)	159 (4045)	100.8 (2560)	184.8 (4740)	207.3 (5265)	5.3 (135)	5.3 (135)	6	10	6500 (3000)	6500 (3000)
	119.5 (3045)	77.2 (1960)	147 (3735)	167.8 (4265)	50.4 (1270)	29.2 (740)	6	10	6500 (3000)	6500 (3000)
	131.5 (3345)	83.1 (2110)	158.8 (4035)	179.7 (4565)	56.3 (1420)	35.1 (890)	6	10	6500 (3000)	6500 (3000)
Full Free-Lift 3-Stage (FSV)	139.5 (3545)	87 (2210)	166.7 (4235)	187.5 (4765)	60.2 (1520)	39.1 (990)	6	10	6500 (3000)	6500 (3000)
	159 (4045)	77.2 (1960)	186.3 (4735)	207.2 (5265)	50.1 (1270)	29.2 (740)	6	5	6500 (3000)	6500 (3000)
	171 (4345)	83.1 (2110)	198.2 (5035)	219 (5565)	56 (1420)	35.1 (890)	6	5	6500 (3000)	6500 (3000)
	187 (4750)	87 (2210)	213.9 (5435)	234.8 (5965)	59.9 (1520)	39.1 (990)	6	5	6500 (3000)	6500 (3000)
	198.5 (5045)	93.3 (2370)	225.7 (5735)	246.6 (6265)	66.2 (1680)	45.4 (1150)	6	5	6500 (2950)	6500 (2950)
	218 (5545)	100.8 (2560)	245.4 (6235)	266.3 (6765)	73.7 (1870)	52.8 (1340)	6	5	5050 (2350)	6150 (2800)
Full Free-Lift 4-Stage (QFV) <sup>3</sup>	237.5 (6045)	110.6 (2810)	265.1 (6735)	285.9 (7265)	83.5 (2120)	62.7 (1590)	6	5	3500 (1600)	4850 (2200)
	241.5 (6135)	83.1 (2110)	262.6 (6670)	289.6 (7355)	62.1 (1575)	35 (890)	6	5	3750 (1700) <sup>2</sup>	4200 (1900)
	259.5 (6595)	89 (2260)	280.7 (7130)	307.7 (7815)	68 (1725)	40.9 (1040)	6	5	2500 (1100) <sup>2</sup>	3150 (1400)
	278 (7055)	95.3 (2420)	298.8 (7590)	325.8 (8275)	74.3 (1885)	47.2 (1200)	6	5	1400 (600) <sup>2</sup>	1800 (800)

<sup>1</sup> Height of standard load backrest is 48" (1220 mm).

<sup>2</sup> TSDR only.

<sup>3</sup> QFV mast has 36"-wide ITA Class II hook carriage.

Attachment capacities (including sideshifters) are located in Section 6.1 - Lifting Capacities for Options.



# “I’M HERE TO MAKE SURE YOUR FORKLIFTS DON’T TAKE VACATION DAYS.”

Butch – 360 Technician, ProLift, Cincinnati, Ohio



## HELP IS ALWAYS HERE WITH TOYOTA 360 SUPPORT.

The industry’s best and most comprehensive dealer network quickly delivers Toyota Certified Technicians to your work site. These specially-trained technicians can also help assess your warehouse and facility needs to recommend the right equipment for the job. And with the largest fleet of used and rental forklifts, Toyota 360 keeps your business running at full speed.

[ToyotaForklift.com/360-Support](http://ToyotaForklift.com/360-Support)



**YOUR BUSINESS IS RIDING ON IT.**

Some product features described herein are optional. Please consult your dealer for specifications. Details of specifications and equipment are based on information available at time of printing and may change without notice.

