

# INDUSTRIAL WALKIE STACKER

 **TOYOTA**  
INDUSTRIAL EQUIPMENT  
REACH NEW HEIGHTS

## EVERYDAY HIGH PERFORMER

- ▶ 2200 - 4000 lb. Capacity
- ▶ Up to 189 in. Lift Height
- ▶ High-Visibility Mast
- ▶ Navigates 7 - 8 ft. Aisles
- ▶ UL-Approved Model Type "E"



6BWS11-20

CLASS  
**3**

ELECTRIC PALLET JACKS/STACKERS/TOW TRACTORS

[ToyotaForklift.com](http://ToyotaForklift.com)

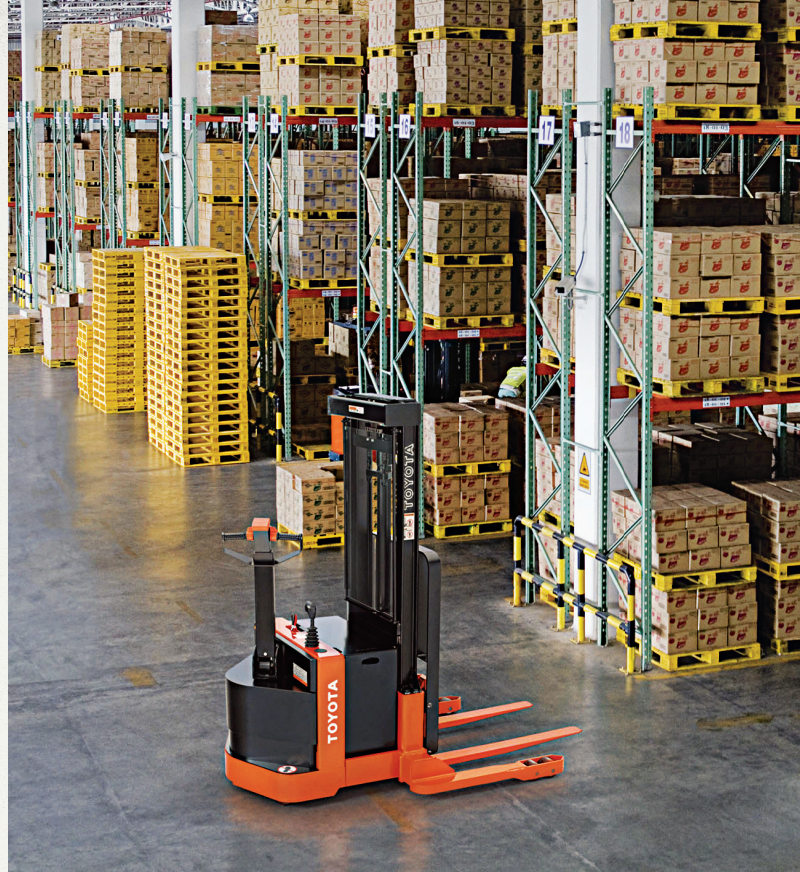


# INDUSTRIAL STRENGTH STACKING

**THE TOYOTA INDUSTRIAL WALKIE STACKER.** High shelving, narrow aisles. Loads up to 4000 pounds, lift heights up to 189 inches. For everyday material-handling duties, the high-performing Industrial Walkie Stacker really stacks up. Its SEM drive motor and fully programmable drive system make light-duty stacking easy and efficient. Top-line durability and an operator-friendly ergonomic design make your warehouse or distribution center more productive. Shift after shift, year after year.

## INDUSTRIAL WALKIE STACKER ADVANTAGES

- ▶ **EASY-TO-OPERATE CONTROLS** anchored by an ergonomic multifunction control handle
- ▶ **LOAD-SENSING TORSION BAR** for easier steering and reduced operator fatigue
- ▶ **RUGGED CONSTRUCTION** for increased durability and reliability, and a longer useful lifespan
- ▶ **ABILITY TO HANDLE HEAVY LOADS** up to 4000 pounds, quickly and efficiently
- ▶ **HANDLE-MOUNTED ELECTRIC LIFT/LOWER CONTROLS** for easy access, with pressure-compensated valve for constant lowering in all conditions



UP TO **4000** LB.  
CAPACITY

- ▶ **LARGE ERGONOMIC DUAL THUMBWHEELS** for easy thumb activation of all controls
- ▶ **HIGH-VISIBILITY MAST** allows operator to clearly see fork tips and wider work area
- ▶ **NO TOOLS REQUIRED SERVICE DOOR** for easy access to all major components for inspection and maintenance



# INDUSTRIAL WALKIE STACKER

CAPACITY  
**2200 - 4000 LBS.**

WHEELBASE  
**51.1 - 55.4 IN.**

LOAD CENTER  
**24 IN.**

## INDUSTRIES



Beverage



Distribution



General Manufacturing



Retail

## STANDARD FEATURES

### PERFORMANCE

- 24-Volt electrical system
- SB-175 connector (red)
- On/off key switch
- UL-approved model type "E"
- Electric raise & lower controls in operator handle
- Manual raise and lower controls on console
- MOSFET programmable controller with Separately Excited (SepEx™) shunt wound drive motor & self-diagnostics

### BODY/EXTERIOR DESIGN

- Electric horn
- 30"-wide ITA Class II hook-type carriage
- 42"-long forks
- 48"-high load backrest extension
- 10.5"-dia. x 5"-wide crowned polyurethane drive tire
- 4"-dia. x 2.875"-wide tandem polyurethane load wheels
- 32.3" x 9" x open height battery compartment<sup>1</sup>
- 32.3" x 13.3" x open height battery compartment<sup>2</sup>
- 32" - 50" base leg openings (inside dimensions) in 1" increments
- Pressure overload relief valve & lowering control fuses
- Spring-loaded torsion bar suspension with stabilizing casters<sup>2</sup>
- Stabilizing casters<sup>1</sup>
- Easy access service cover
- High-visibility wide-view 2-stage mast

### OPERABILITY & ERGONOMICS

- Emergency power disconnect switch
- Automatic resetting circuit breaker
- Reverse polarity protection contactor
- Mechanical drum brake
- Directional thumb control
- Safety glass mast guard
- Direction reverse switch in control handle
- Power on self test with self-diagnostics

## OPTIONAL EQUIPMENT

- 30," 36" or 48" fork lengths
- 36" or 44" reduced height load backrest extension
- Twist grip control handle in place of thumb control<sup>3</sup>
- 2" sideshift each way (32" or 33" base leg inside dimension)<sup>4</sup>
- 3" sideshift each way (minimum 34" base leg inside dimension or wider)<sup>4</sup>
- Screen guard in place of safety glass mast guard
- Various flashing lights
- Various strobe lights
- Audible travel alarm
- Hour meter<sup>7</sup>
- Battery discharge indicator (meter type)<sup>7</sup>
- Battery discharge indicator with hour meter in combination gauge (with or without lift interrupt)<sup>7</sup>
- Battery compartment rollers (roller height 9.8" — allows exit to either side)
- Toggle switch in place of key switch
- Various battery connectors
- Various drive tire compounds
- Pallet centering guide<sup>8</sup>
- UL-approved model type "EE" without enclosed battery compartment<sup>5</sup>
- Corrosion conditioning
- Cold storage conditioning (includes corrosion protection conditioning)
- Auxilliary hydraulic function valve & hosing with carriage mounted termination<sup>6</sup>

<sup>1</sup> Option only available on model 6BWS11.

<sup>2</sup> Option only available on models 6BWS15 & 6WBS20.

<sup>3</sup> An optional twist grip control handle is available at no additional charge.

<sup>4</sup> Not available on models 6BWS11-15 equipped with 2-stage mast.

<sup>5</sup> Requires UL-approved model type "EE" rated battery with leads through cover at position "B." UL-approved model type "EE" is not available with cold storage conditioning and may reduce performance.

<sup>6</sup> Only one additional hydraulic function may be mounted: either factory mounted sideshift or factory approved, customer mounted auxiliary hydraulic attachment.

<sup>7</sup> Not available with any other optional battery discharge indicator/combination gauges.

<sup>8</sup> Not available with optional sideshifter.

TRUCK SPECIFICATIONS

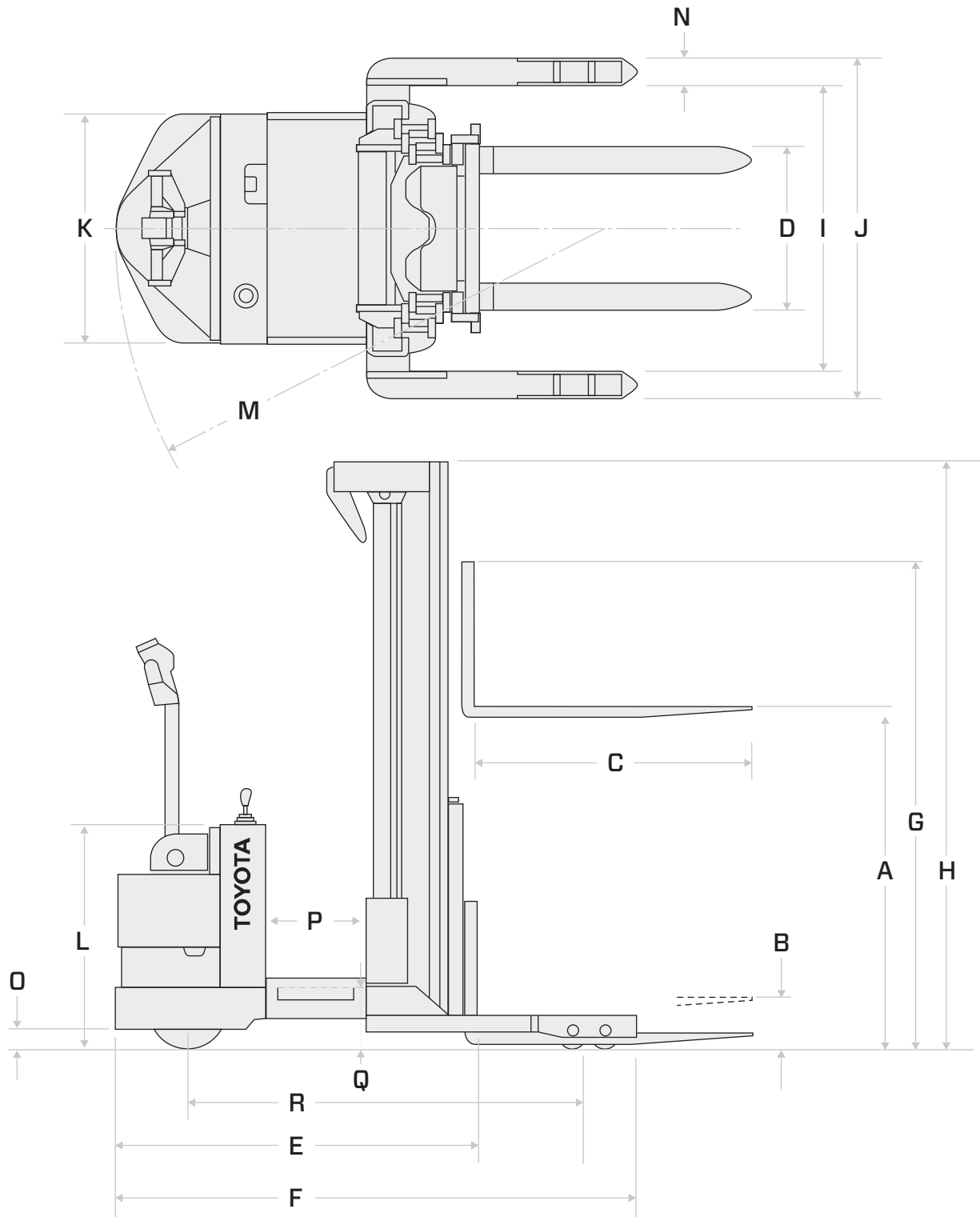
MODEL NUMBERS

GENERAL DATA				6BWS11	6BWS15	6BWS20
Load Capacity		lb (kg)		2200 (1000)	3000 (1360)	4000 (1815)
Model / Voltage				24 V	24 V	24 V
Load Center		in (mm)		24 (600)	24 (600)	24 (600)
Power Type (battery type)				Battery (lead)	Battery (lead)	Battery (lead)
Operator Position				Walkie	Walkie	Walkie
Tire Type	Drive / Caster / Load			Polyurethane	Polyurethane	Polyurethane
Wheels (x = driven)	Drive / Caster / Load			1x / 2 / 4	1x / 2 / 4	1x / 2 / 4
EXTERIOR DIMENSIONS				6BWS11	6BWS15	6BWS20
<b>A</b>	Maximum Fork Height (MFH) <sup>1</sup>		in (mm)	128 (3251)	128 (3251)	124 (3150)
<b>B</b>	Free-Lift		in (mm)	12 (305)	12 (305)	6 (152)
<b>C</b>	Fork Size (T x W x L)		in (mm)	1.5 x 4 x 42 (38 x 100 x 1067)	1.5 x 4 x 42 (38 x 100 x 1067)	1.75 x 4 x 42 (45 x 100 x 1067)
<b>D</b>	Fork Adjustment (minimum / maximum)		in (mm)	8.5 / 30 (215 / 760)	8.5 / 30 (215 / 760)	8.5 / 30 (215 / 760)
<b>E</b>	Head Length (length to fork face)		in (mm)	38.4 (975)	42.7 (1082)	44.7 (1135)
<b>F</b>	Truck Length (length to end of base legs)			67 (1702)	71.3 (1811)	71.3 (1811)
<b>G</b>	Mast Lowered Height		in (mm)	83 (2108)	83 (2108)	83 (2108)
<b>H</b>	Mast Extended Height		in (mm)	176 (4470)	176 (4470)	172 (4369)
<b>I</b>	Base Leg Inside Dimension (ID) <sup>2</sup>		in (mm)	32 - 50 (810 - 1270)	32 - 50 (810 - 1270)	32 - 50 (810 - 1270)
<b>J</b>	Base Leg Outside Dimension (OD) <sup>2</sup>		in (mm)	40 - 58 (1016 - 1473)	40 - 58 (1016 - 1473)	40 - 58 (1016 - 1473)
<b>K</b>	Power Unit Width		in (mm)	34.1 (866)	34.1 (866)	34.1 (866)
<b>L</b>	Power Unit Height		in (mm)	32.5 (826)	32.5 (826)	32.5 (826)
<b>M</b>	Turning Radius		in (mm)	60.8 (1545)	65.1 (1653)	65.1 (1653)
<b>N</b>	Base Leg Width		in (mm)	4 (102)	4 (102)	4 (102)
<b>O</b>	Underclearance (center of wheelbase)		in (mm)	2.0 (51)	2.0 (51)	2.0 (51)
<b>P</b>	Battery Compartment (L x W x open height)		in (mm)	32.3 x 9 (820 x 229)	32.3 x 13.3 (820 x 338)	32.3 x 13.3 (820 x 338)
<b>Q</b>	Battery Roller Height		in (mm)	9.8 (249)	9.8 (249)	9.8 (249)
<b>R</b>	Wheelbase		in (mm)	51.1 (1295)	55.4 (1407)	55.4 (1407)
	Fork Carriage Width (ITA hook-type)		in (mm)	30 (762)	30 (762)	30 (762)
	Fork Lowered Height		in (mm)	2 (50)	2 (50)	2 (50)
PERFORMANCE DATA				6BWS11	6BWS15	6BWS20
Speeds	Maximum Travel (forward / reverse)	Full Load	mph (km/h)	2.9 (4.7)	2.9 (4.7)	2.6 (4.2)
		No Load	mph (km/h)	3.3 (5.3)	3.3 (5.3)	3.2 (5.2)
	Lifting	Full Load	fpm (mm/sec)	32 (163)	32 (163)	27 (137)
		No Load	fpm (mm/sec)	49 (249)	49 (249)	49 (249)
	Lowering	Full Load	fpm (mm/sec)	60 (305)	60 (305)	60 (305)
		No Load	fpm (mm/sec)	42 (213)	42 (213)	42 (213)
Gradeability <sup>3</sup>	Loaded / Unloaded		%	6 / 10	6 / 10	6 / 10
TRUCK WEIGHTS				6BWS11	6BWS15	6BWS20
Total Weight Without Battery		lb (kg)		2450 (1111)	2585 (1173)	2840 (1288)
Weight Distribution <sup>4</sup>	Full Load	Front	lb (kg)	—	—	—
		Rear	lb (kg)	—	—	—
	No Load	Front	lb (kg)	—	—	—
		Rear	lb (kg)	—	—	—
TIRES				6BWS11	6BWS15	6BWS20
Tire Size (dia. x width)	Drive	in (mm)		10.5 x 5 (267 x 127)	10.5 x 5 (267 x 127)	10.5 x 5 (267 x 127)
	Caster	in (mm)		4 x 2.5 (102 x 64)	4 x 2.5 (102 x 64)	4 x 2.5 (102 x 64)
	Load	in (mm)		4 x 2.875 (100 x 73)	4 x 2.875 (100 x 73)	4 x 2.875 (100 x 73)
Suspension				N/A	Torsion Bar Suspension	Torsion Bar Suspension
Grade Clearance		%		10	10	10
Brake				Mechanical Drum Brake	Mechanical Drum Brake	Mechanical Drum Brake
POWER SYSTEM				6BWS11	6BWS15	6BWS20
Battery (6-hour rating)	Voltage / Capacity		V / Ah	24 (330)	24 (650)	24 (650)
	Weight (minimum)		lb (kg)	300 (136)	950 (431)	950 (431)
Electric Motors	Drive (60 min.)		hp (kW)	1.2 (.9)	1.2 (.9)	1.2 (.9)
	Load Handling (5 min. 20%)		hp (kW)	4.8 (3.6)	4.8 (3.6)	4.8 (3.6)
Control Type	Drive			Transistor	Transistor	Transistor
	Load Handling			Electromagnetic Contactor	Electromagnetic Contactor	Electromagnetic Contactor

1 Maximum Fork Height for 2-Stage mast.  
2 In 1" increments.

3 Trucks are designed for level floor operation. Represents the ability to traverse short ramps when required.  
4 With standard battery & pantograph retracted.

# EXTERIOR DIMENSIONS



MAST SPECIFICATIONS

MAST TYPE	MAXIMUM FORK HEIGHT (TOP OF FORKS)	OVERALL HEIGHT			FREE-LIFT
		LOWERED	EXTENDED		WITH STANDARD LOAD BACKREST <sup>1</sup>
			WITH STANDARD LOAD BACKREST <sup>1</sup>		
in (mm)		in (mm)	in (mm)		in (mm)
<b>6BWS11</b>					
Wide Visible (V)	104 (2650)	71 (1805)	152 (3860)		12 (305)
	128 (3251)	83 (2108)	176 (4470)		12 (305)
	152 (3860)	95 (2413)	200 (5080)		12 (305)
Full Free-Lift 3-Stage (FSV)	150 (3810)	71 (1805)	198 (5029)		23 (584)
LOAD CAPACITY AT 24 IN. (610 MM) LOAD CENTER					
IN (MM)	WIDE VISIBLE (V) <sup>2,3</sup>			FULL FREE-LIFT 3-STAGE (FSV) <sup>3</sup>	
	DALH / MFH	71 / 104 (1805 / 2650)	83 / 128 (2108 / 3251)	95 / 152 (2413 / 3860)	71 / 150 (1805 / 3810)
BASE LEG (OD)		in (mm)	in (mm)	in (mm)	WITHOUT SIDESHIFTER
40 (1016)	2200 (998)	—	—	—	—
42 (1066)	2200 (998)	—	—	—	—
44 (1117)	2200 (998)	2200 (998)	2200 (998)	2200 (998)	—
46 (1168)	2200 (998)	2200 (998)	2200 (998)	2200 (998)	—
48 (1219)	2200 (998)	2200 (998)	2200 (998)	2200 (998)	—
50 (1270)	2200 (998)	2200 (998)	2200 (998)	2200 (998)	—
52 (1320)	2200 (998)	2200 (998)	2200 (998)	2200 (998)	—
54 (1371)	2200 (998)	2200 (998)	2200 (998)	2200 (998)	—
56 (1422)	2200 (998)	2200 (998)	2200 (998)	2200 (998)	—
58 (1473)	2200 (998)	2200 (998)	2200 (998)	2200 (998)	—

MAST TYPE	MAXIMUM FORK HEIGHT (TOP OF FORKS)	OVERALL HEIGHT			FREE-LIFT
		LOWERED	EXTENDED		WITH STANDARD LOAD BACKREST <sup>1</sup>
			WITH STANDARD LOAD BACKREST <sup>1</sup>		
in (mm)		in (mm)	in (mm)		in (mm)
<b>6BWS15</b>					
Wide Visible (V)	104 (2650)	71 (1805)	152 (3860)		12 (305)
	128 (3251)	83 (2108)	176 (4470)		12 (305)
	152 (3860)	95 (2413)	200 (5080)		12 (305)
Full Free-Lift 3-Stage (FSV)	150 (3810)	71 (1805)	198 (5029)		23 (584)
	180 (4572)	83 (2108)	228 (5791)		35 (889)
	189 (4800)	87 (2209)	237 (6020)		39 (991)

IN (MM)	LOAD CAPACITY AT 24 IN. (610 MM) LOAD CENTER											
	WIDE VISIBLE (V) <sup>2,3</sup>			FULL FREE-LIFT 3-STAGE (FSV)								
	DALH / MFH	71 / 104 (1805 / 2650)	83 / 128 (2108 / 3251)	95 / 152 (2413 / 3860)	71 / 150 (1805 / 3810) <sup>3</sup>		83 / 180 (2108 / 4572)			87 / 189 (2209 / 4800)		
WITHOUT SIDESHIFTER					WITH SIDESHIFTER	WITHOUT SIDESHIFTER	WITH SIDESHIFTER	UL-APPROVED MODEL TYPE "EE" <sup>4</sup>	WITHOUT SIDESHIFTER	WITH SIDESHIFTER	UL-APPROVED MODEL TYPE "EE" <sup>4</sup>	
BASE LEG (OD)	in (mm)	in (mm)	in (mm)	in (mm)	in (mm)	in (mm)	in (mm)	in (mm)	in (mm)	in (mm)	in (mm)	
40 (1016)	3000 (1360)	3000 (1360)	3000 (1360)	3000 (1360)	2500 (1134)	—	—	—	—	—	—	
42 (1066)	3000 (1360)	3000 (1360)	3000 (1360)	3000 (1360)	2750 (1247)	—	—	—	—	—	—	
44 (1117)	3000 (1360)	3000 (1360)	3000 (1360)	3000 (1360)	2750 (1247)	—	—	—	—	—	—	
46 (1168)	3000 (1360)	3000 (1360)	3000 (1360)	3000 (1360)	2750 (1247)	3000 (1360)	2750 (1247)	2500 (1134)	3000 (1360)	2750 (1247)	2380 (1079)	
48 (1219)	3000 (1360)	3000 (1360)	3000 (1360)	3000 (1360)	2750 (1247)	3000 (1360)	2750 (1247)	2500 (1134)	3000 (1360)	2750 (1247)	2380 (1079)	
50 (1270)	3000 (1360)	3000 (1360)	3000 (1360)	3000 (1360)	2750 (1247)	3000 (1360)	2750 (1247)	2500 (1134)	3000 (1360)	2750 (1247)	2380 (1079)	
52 (1320)	3000 (1360)	3000 (1360)	3000 (1360)	3000 (1360)	2750 (1247)	3000 (1360)	2750 (1247)	2500 (1134)	3000 (1360)	2750 (1247)	2380 (1079)	
54 (1371)	3000 (1360)	3000 (1360)	3000 (1360)	3000 (1360)	2750 (1247)	3000 (1360)	2750 (1247)	2500 (1134)	3000 (1360)	2750 (1247)	2380 (1079)	
56 (1422)	3000 (1360)	3000 (1360)	3000 (1360)	3000 (1360)	2750 (1247)	3000 (1360)	2750 (1247)	2500 (1134)	3000 (1360)	2750 (1247)	2380 (1079)	
58 (1473)	3000 (1360)	3000 (1360)	3000 (1360)	3000 (1360)	2750 (1247)	3000 (1360)	2750 (1247)	2500 (1134)	3000 (1360)	2750 (1247)	2380 (1079)	

1 Height of standard load backrest is 48" (1220 mm).  
 2 Sideshifter not available.  
 3 Same capacities apply when equipped with the UL-approved model type "EE" option.  
 4 Same capacities apply when equipped with the sideshifter option.

MAST TYPE	MAXIMUM FORK HEIGHT (TOP OF FORKS)	OVERALL HEIGHT			FREE-LIFT
		LOWERED	EXTENDED		WITH STANDARD LOAD BACKREST <sup>1</sup>
			WITH STANDARD LOAD BACKREST <sup>1</sup>		
	in (mm)	in (mm)	in (mm)	in (mm)	
<b>6BWS20</b>					
Wide Visible (V)	100 (2540)	71 (1805)	148 (3759)		6 (153)
	124 (3149)	83 (2108)	172 (4369)		6 (153)
	150 (3810)	95 (2413)	198 (5029)		6 (153)
Full Free-Lift 3-Stage (FSV)	150 (3810)	71 (1805)	198 (5029)		23 (584)
	180 (4572)	83 (2108)	228 (5791)		35 (889)
	189 (4800)	87 (2209)	237 (6020)		39 (991)

IN (MM)	LOAD CAPACITY AT 24 IN. (610 MM) LOAD CENTER															
	WIDE VISIBLE (V) <sup>2</sup>						FULL FREE-LIFT 3-STAGE (FSV)									
	71 / 100 (1805 / 2540)		83 / 124 (2108 / 3149)		95 / 150 (2413 / 3810)		71 / 150 (1805 / 3810) <sup>2</sup>		83 / 180 (2108 / 4572)			87 / 189 (2209 / 4800)				
DASH / MFH	WITHOUT SIDESHIFTER	WITH SIDESHIFTER	WITHOUT SIDESHIFTER	WITH SIDESHIFTER	WITHOUT SIDESHIFTER	WITH SIDESHIFTER	WITHOUT SIDESHIFTER	WITH SIDESHIFTER	WITHOUT SIDESHIFTER	WITH SIDESHIFTER	WITHOUT SIDESHIFTER	WITH SIDESHIFTER	UL- APPROVED MODEL TYPE "EE" <sup>3</sup>	WITHOUT SIDESHIFTER	WITH SIDESHIFTER	UL- APPROVED MODEL TYPE "EE" <sup>3</sup>
	in (mm)	in (mm)	in (mm)	in (mm)	in (mm)	in (mm)	in (mm)	in (mm)	in (mm)	in (mm)	in (mm)	in (mm)	in (mm)	in (mm)	in (mm)	in (mm)
40 (1016)	4000 (1814)	3750 (1701)	4000 (1814)	3350 (1519)	4000 (1814)	2200 (998)	4000 (1814)	2500 (1134)	—	—	—	—	—	—	—	—
42 (1066)	4000 (1814)	3750 (1701)	4000 (1814)	3750 (1701)	4000 (1814)	2950 (1338)	4000 (1814)	3150 (1429)	—	—	—	—	—	—	—	—
44 (1117)	4000 (1814)	3750 (1701)	4000 (1814)	3750 (1701)	4000 (1814)	3400 (1542)	4000 (1814)	3650 (1655)	—	—	—	—	—	—	—	—
46 (1168)	4000 (1814)	3750 (1701)	4000 (1814)	3750 (1701)	4000 (1814)	3650 (1655)	4000 (1814)	3750 (1701)	3200 (1451)	3000 (1360)	—	—	3000 (1360)	2900 (1315)	—	—
48 (1219)	4000 (1814)	3750 (1701)	4000 (1814)	3750 (1701)	4000 (1814)	3750 (1701)	4000 (1814)	3750 (1701)	3400 (1542)	3150 (1428)	3150 (1428)	3300 (1496)	3100 (1406)	3100 (1406)	3100 (1406)	3100 (1406)
50 (1270)	4000 (1814)	3750 (1701)	4000 (1814)	3750 (1701)	4000 (1814)	3750 (1701)	4000 (1814)	3750 (1701)	3600 (1633)	3350 (1519)	3325 (1508)	3500 (1587)	3250 (1474)	3250 (1474)	3175 (1440)	3175 (1440)
52 (1320)	4000 (1814)	3750 (1701)	4000 (1814)	3750 (1701)	4000 (1814)	3750 (1701)	4000 (1814)	3750 (1701)	3800 (1723)	3550 (1610)	3325 (1508)	3700 (1678)	3450 (1565)	3450 (1565)	3175 (1440)	3175 (1440)
54 (1371)	4000 (1814)	3750 (1701)	4000 (1814)	3750 (1701)	4000 (1814)	3750 (1701)	4000 (1814)	3750 (1701)	4000 (1814)	3750 (1701)	3325 (1508)	3900 (1769)	3650 (1655)	3650 (1655)	3175 (1440)	3175 (1440)
56 (1422)	4000 (1814)	3750 (1701)	4000 (1814)	3750 (1701)	4000 (1814)	3750 (1701)	4000 (1814)	3750 (1701)	4000 (1814)	3750 (1701)	3325 (1508)	4000 (1814)	3750 (1701)	3750 (1701)	3175 (1440)	3175 (1440)
58 (1473)	4000 (1814)	3750 (1701)	4000 (1814)	3750 (1701)	4000 (1814)	3750 (1701)	4000 (1814)	3750 (1701)	4000 (1814)	3750 (1701)	3325 (1508)	4000 (1814)	3750 (1701)	3750 (1701)	3175 (1440)	3175 (1440)

1 Height of standard load backrest is 48" (1220 mm).

2 Same capacities apply when equipped with the UL-approved model type "EE" option.

3 Same capacities apply when equipped with the sideshifter option.





## COUNT ON THE LEADER

- ▶ Toyota leads in quality, durability, reliability and value, thanks to advanced technology and the world-renowned Toyota Production System.
- ▶ With the broadest and most complete set of material-handling solutions in the industry, Toyota Dealers specialize in meeting all of your needs — from a single forklift to an entire fleet.
- ▶ Toyota's industry-leading network of dealers backs every forklift with proven product support. Resources include factory-trained service technicians, Toyota Genuine Parts, and flexible leasing and financing packages through Toyota Commercial Finance.

- ▶ Toyota forklifts have ranked No. 1 in safety and quality since 2002, according to studies conducted by Peerless Research Group.

For more information, including full specs, see your Toyota Dealer or [ToyotaForklift.com](http://ToyotaForklift.com).



Some product features described herein are optional. Please consult your dealer for specifications. Details of specifications and equipment are based on information available at time of printing and may change without notice.