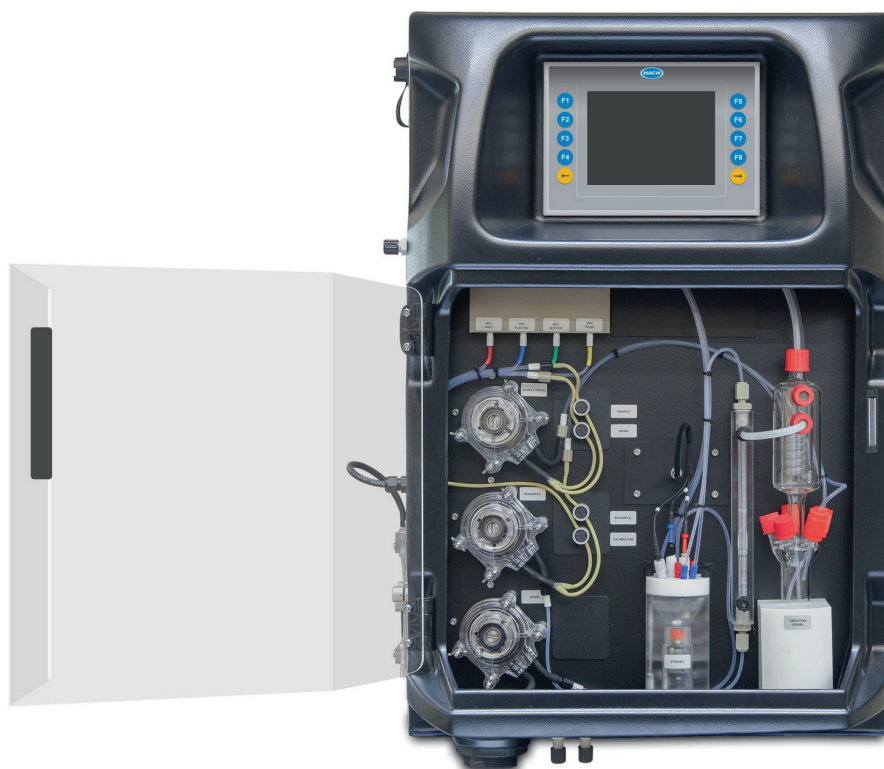


# EZ6000 Series Cadmium Trace Metal Analyzers

## Applications

- Drinking Water
- Surface Water
- Industrial Effluent



## Trace metal analysis of dissolved and total Cadmium in water by online voltammetry

### About the 6000 Series

The EZ6000 Series of online Trace Metal Analyzers are based on the technology of stripping voltammetry, a sensitive analytical technique that can be automated for the determination of trace levels of metals in water. For many metals the EZ6000 Series boasts limits of quantification in the low ppb range.

EZ6000 Analyzers can be equipped with an add-on sample digestion unit that has been designed specifically for samples with higher organic contents, suspended particles and changing composition. The optional combination with an external filtration system allows for detection and measurement of trace metals in a wide range of water matrices.

The EZ6000 Series Analyzers combine tried and tested voltammetry technology in an industrial mainframe with prime features:

- Excellent selectivity and sensitivity
- Standard measuring ranges with optional internal dilution
- Smart automatic features
- Control and communication via industrial panel PC
- Analog and digital output options
- Multiple stream analysis

Options for the determination of Cadmium include: Cadmium, dissolved Cd(II) and Cadmium, total after digestion. A combined analysis is possible with Copper, Lead or Zinc.

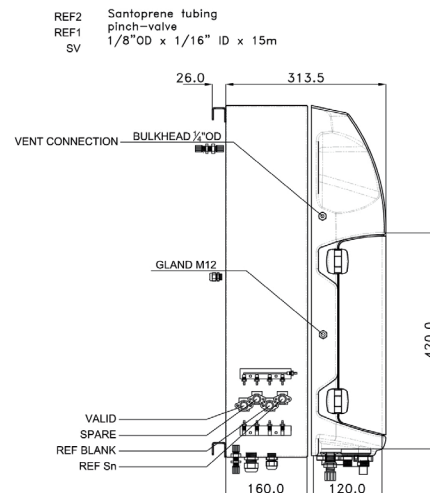
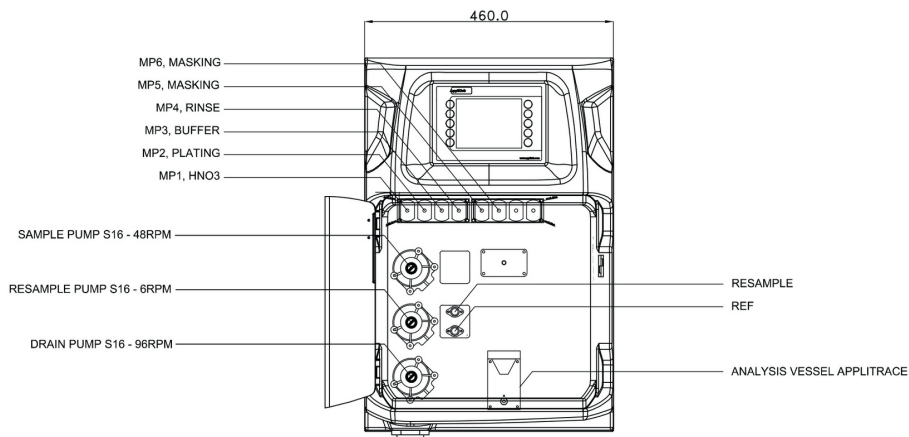
## Technical Data\*

Model	EZ6002/6102/6103/6104/6108/6109	EZ6201/6301/6302/6303/6307/6308
Parameter	Cadmium, dissolved Cd(II)	Cadmium, total, after hot acid digestion
Measurement Method	Stripping voltammetry using carbon electrode	Stripping voltammetry using carbon electrode
Range	1 - 100 µg/L	1 - 100 µg/L
Precision	Better than 5% full scale range for standard test solutions	Better than 5% full scale range for standard test solutions
Lower Limit of Detection (LOD)	≤ 1 µg/L	≤ 1 µg/L
Cycle Time	10 minutes (dilution + 5 min)	20 minutes (dilution + 5 min)
Interferences	Thallium (III), tin (VI), organic matter may interfere. Fats, oil, proteins, surfactants and tar.	Thallium (III), tin (VI), organic matter may interfere. Fats, oil, proteins, surfactants and tar.
Cooling Water	Not required	Flow rate approx. 5 L/h; temperature max. 30 °C (86 °F); pressure max. 0.5 bar
Power	100 - 240 VAC, 50/60 Hz Max. power consumption: 120 VA	230 VAC, 50/60 Hz, max. power consumption 440 VA 120 VAC version also available (see configurator)
Automatic cleaning	Yes	
Calibration	Automatic, 2-point; frequency freely programmable	
Validation	Automatic; frequency freely programmable	
Ambient Temperature	10 - 30 °C ±4 °C deviation (50 - 86 °F ±7.2 °F deviation) at 5 - 95% relative humidity (non-condensing)	
Reagent Requirements	Keep between 10 - 30 °C (50 - 86 °F)	
Sample Pressure	By external overflow vessel	
Sample Flow Rate	100 - 300 mL/min	
Sample Temperature	10 - 30 °C (50 - 86 °F)	
Sample Quality	Maximum particle size 100 µm, < 0.1 g/L; Turbidity < 50 NTU	
Instrument Air	Dry and oil free according to ISA-S7.0.01-1996 quality standard for instrument air	
Demineralized Water	For rinsing	
Drain	Atmospheric pressure, vented, min. Ø 64 mm	
Earth Connection	Dry and clean earth pole with low impedance (< 1 Ohm) using an earth cable of > 2.5 mm <sup>2</sup>	
Analog Outputs	Active 4 - 20 mA max. 500 Ohm load, standard 1, max. 8 (option)	
Digital Outputs	Modbus, RS232, RS485	
Alarm	1 x malfunctioning, 4 x user-configurable, max. 24 VDC/0.5 A, potential free contacts	
Protection Class	Analyzer cabinet: IP55 / Panel PC: IP65	
Material	Hinged part: Thermoform ABS, door: plexiglass Wall section: Galvanized steel, powder coated	
Dimensions (H x W x D)	690 mm x 465 mm x 330 mm	
Weight	25 kg (55 lbs.)	
Certifications	CE compliant / UL certified	

\*Subject to change without notice.

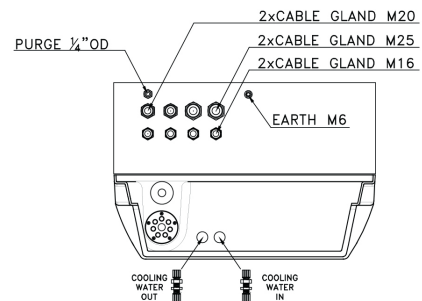
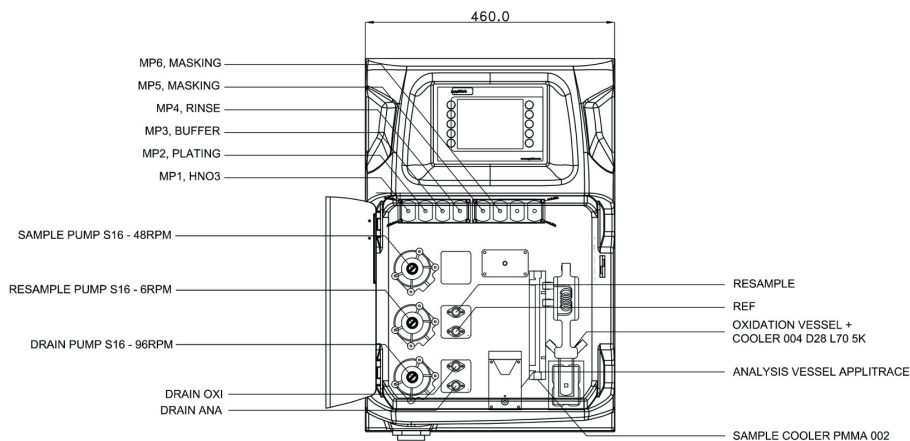
### Dimensions

*Cadmium, dissolved Analyzer*



REF2 Santoprene tubing  
 REF1 pinch-valve  
 SV 1/8"OD x 1/16" ID x 15m

*Total Cadmium Analyzer with digestion unit*



### Hach Service

With Hach Service, you have a global partner who understands your needs and cares about delivering timely, high-quality service you can trust. Our Service Team brings unique expertise to help you maximize instrument uptime, ensure data integrity, maintain operational stability, and reduce compliance risk.

## Order Information - Part Number Configurator

Cadmium, dissolved Cd(II), 1-100 µg/L	EZ6002.99						
Cadmium, dissolved Cd(II) & Lead, dissolved Pb(II), 1-100 µg/L	EZ6102.99						
Cadmium, dissolved Cd(II), 1-100 µg/L & Copper, dissolved Cu(II), 10-100 µg/L	EZ6103.99						
Cadmium, dissolved Cd(II), 1-100 µg/L & Zinc, dissolved Zn(II), 10-100 µg/L	EZ6104.99	X	X	X	X	X	2
Cadmium, dissolved Cd(II) & Lead, dissolved Pb(II), 1-100 µg/L & Copper, dissolved Cu(II), 10-100 µg/L	EZ6108.99						
Cadmium, dissolved Cd(II) & Lead, dissolved Pb(II), 1-100 µg/L & Zinc, dissolved Zn(II), 10-100 µg/L	EZ6109.99						
<b>Measurement range settings / Dilution options</b>							
Standard range							0
<b>Power supply</b>							
Standard 100 - 240 VAC, 50/60 Hz							0
<b>Number of sample streams</b>							
1 stream							1
2 streams							2
3 streams							3
4 streams							4
5 streams							5
6 streams							6
<b>Outputs</b>							
1x mA							1
2x mA							2
3x mA							3
4x mA							4
5x mA							5
6x mA							6
7x mA							7
8x mA							8
RS232							A
Modbus TCP/IP							B
Modbus RS485							C
1x mA + Modbus RS485							E
2x mA + Modbus RS485							F
3x mA + Modbus RS485							G
4x mA + Modbus RS485							H
1x mA + Modbus TCP/IP							I
2x mA + Modbus TCP/IP							J
3x mA + Modbus TCP/IP							K
4x mA + Modbus TCP/IP							L
No adaption, standard version							0

## Order Information - Part Number Configurator

Cadmium, total, 1-100 µg/L	EZ6201.99						
Cadmium, total & Lead, total, 1-100 µg/L	EZ6301.99						
Cadmium, total, 1-100 µg/L & Copper, total, 10-100 µg/L	EZ6302.99						
Cadmium, total, 1-100 µg/L & Zinc, total, 10-100 µg/L	EZ6303.99	X	X	X	X	X	2
Cadmium, total & Lead, total, 1-100 µg/L & Copper, total, 10-100 µg/L	EZ6307.99						
Cadmium, total & Lead, total, 1-100 µg/L & Zinc, total, 10-100 µg/L	EZ6308.99						
<b>Measurement range settings / Dilution options</b>							
Standard range		0					
<b>Power supply</b>							
230 VAC, 50/60 Hz					A		
120 VAC, 50/60 Hz					B		
<b>Number of sample streams</b>							
1 stream						1	
2 streams						2	
3 streams						3	
4 streams						4	
5 streams						5	
6 streams						6	
<b>Outputs</b>							
1x mA							1
2x mA							2
3x mA							3
4x mA							4
5x mA							5
6x mA							6
7x mA							7
8x mA							8
RS232							A
Modbus TCP/IP							B
Modbus RS485							C
1x mA + Modbus RS485							E
2x mA + Modbus RS485							F
3x mA + Modbus RS485							G
4x mA + Modbus RS485							H
1x mA + Modbus TCP/IP							I
2x mA + Modbus TCP/IP							J
3x mA + Modbus TCP/IP							K
4x mA + Modbus TCP/IP							L
No adaption, standard version							0

DOC053.53.35199.Apr20

## Hach World Headquarters: Loveland, Colorado USA

United States: 800-227-4224 tel 970-669-2932 fax orders@hach.com

Outside United States: 970-669-3050 tel 970-461-3939 fax int@hach.com

hach.com



Be Right™