



PROCESS FLOAT STEAM TRAP

MODEL JL9X/JLH9X

HIGH-CAPACITY IRON OR STEEL FLOAT & THERMOSTATIC STEAM TRAP

Benefits

Extremely durable, inline-repairable, compact float trap with thermostatic air venting for large process or heating equipment.

1. Double-seated valve with heat-treat hardened valve seat and valve head provides continuous, smooth, low-velocity condensate discharge as process loads vary.
2. Self-aligning valve mechanism with stainless steel internals minimizes wear.
3. Integral thermostatic capsule vents air automatically until near-to-steam temperature, for rapid start-up, increased production and even heating.
4. Float with up to 1150 psig hydraulic shock rating ensures excellent resistance to water hammer.
5. Easy, inline access to internal parts simplifies cleaning and reduces maintenance costs.
6. High-quality stainless steel internals and hardened valve surfaces ensure reliability.



Specifications

Model	JL9X	JLH9X
Connection	Screwed, Flanged*	Screwed, Socket Weld, Flanged
Size (in)	2	2
Orifice No.	10, 18	10, 18, 32
Maximum Operating Pressure (psig) PMO	150, 250	150, 250, 450
Maximum Differential Pressure (psi) Δ PMX	150, 250	150, 250, 450
Minimum Operating Pressure (psig)	Vacuum	Vacuum
Maximum Operating Temperature (°F) TMO	428	428, 464
Maximum Allowable Pressure (psig) PMA	250	450
Maximum Allowable Temperature (°F) TMA	428	752

* JL9X has a screwed-in flange

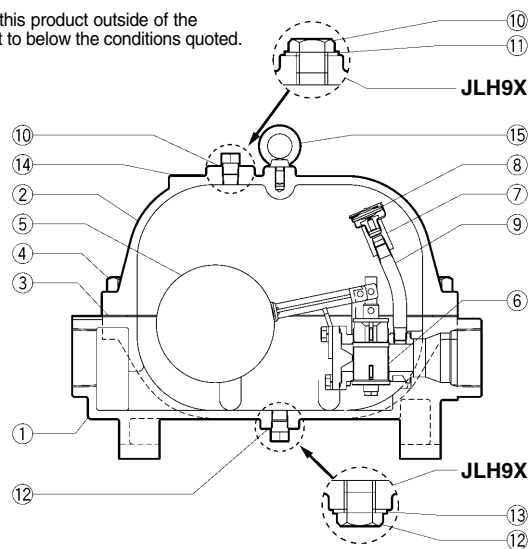
Connections and sizes in bold are standard



To avoid abnormal operation, accidents or serious injury, DO NOT use this product outside of the specification range. Local regulations may restrict the use of this product to below the conditions quoted.

No.	Description	Material	ASTM/AISI*	JIS	
①	Body	JL9X	Cast Iron	A126 Cl.B	FC250
		JLH9X	Cast Steel	A216 Gr.WCB	—
②	Cover	JL9X	Cast Iron	A126 Cl.B	FC250
		JLH9X	Cast Steel	A216 Gr.WCB	—
③	Cover Gasket	Graphite / Stainl. Stl.	— /AISI316L	— /SUS316L	
④	Cover Bolt	JL9X	Carbon Steel	AISH1045	S45C
		JLH9X	Alloy Steel	A193 Gr.B7	SNB7
⑤	Float / Lever	Stainless Steel /	AISI316L /	SUS316L /	
		Cast Stainless Steel	A351 Gr.CF8	—	
⑥	Trap Unit (Main Valve Unit)	Cast Stainless Steel	A743 Gr.CA40 / A351 Gr.CF8	SCS2A / —	
⑦	Connector	Stainless Steel	AISI304	SUS304	
⑧	X-element Unit	Stainless Steel	AISI304/420F	SUS304/420F	
⑨	Air Vent Pipe	Stainless Steel	AISI304	SUS304	
⑩	Cover Plug	JL9X	Carbon Steel	A6	SS400
		JLH9X	Carbon Steel	AISH1025	S25C
⑪	Cover Plug Gasket (JLH9X)	JL9X	Carbon Steel	A6	SS400
		JLH9X	Carbon Steel	AISH1025	S25C
⑬	Drain Plug Gasket (JLH9X)	JL9X	Carbon Steel	A6	SS400
		JLH9X	Carbon Steel	AISH1025	S25C
⑭	Nameplate	Stainless Steel	AISI304	SUS304	
⑮	Eye Bolt	JL9X	Carbon Steel	A307 Gr.B	SS400
		JLH9X	Carbon Steel	AISH1025	S25C

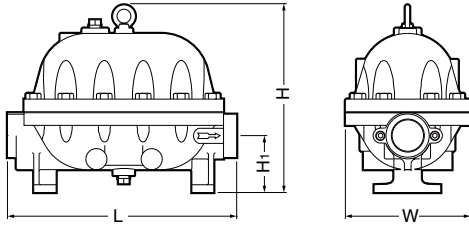
* Equivalent ** Shown on reverse



Copyright © TLV

Dimensions

● **JL9X/JLH9X** Screwed



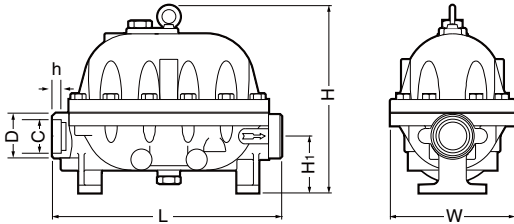
JL9X shown. Cover plug and drain plug on the JLH9X differ slightly.

JL9X/JLH9X Screwed* (in)

Model	Size	L	H	H ₁	W	Weight (lb)
JL9X	2	16 ⁵ / ₁₆	13 ⁵ / ₁₆	4	8 ⁷ / ₈	74
JLH9X	2	16 ⁵ / ₁₆	13 ⁵ / ₁₆	4	8 ⁷ / ₈	79

* NPT, other standards available

● **JLH9X** Socket Weld

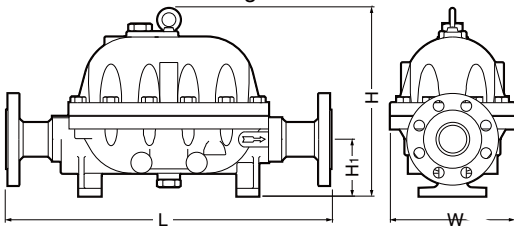


JLH9X Socket Weld* (in)

Model	Size	L	H	H ₁	W	φ D	φ C	h	Weight (lb)
JLH9X	2	16 ⁵ / ₁₆	13 ⁵ / ₁₆	4	8 ⁷ / ₈	3 ¹ / ₈	2.406	5/8	79

* ASME B16.11-2005, other standards available

● **JL9X/JLH9X** Flanged



JLH9X shown. Cover plug and drain plug on the JL9X differ slightly.

JL9X*/JLH9X Flanged (in)

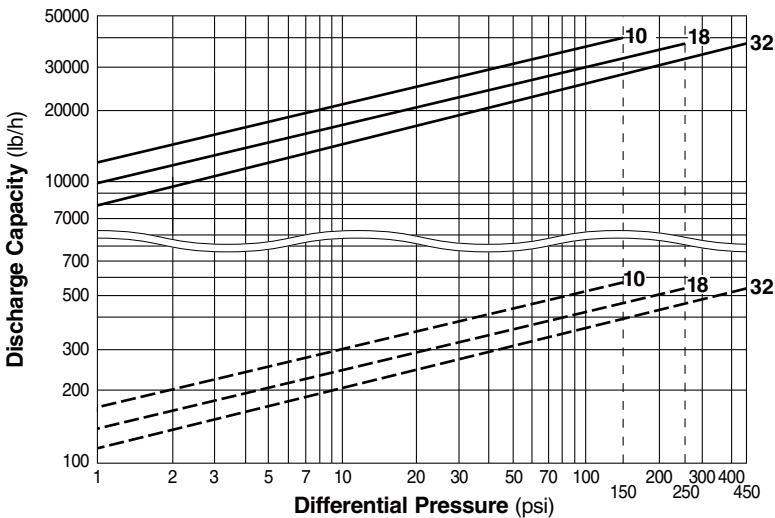
Model	Size	L			H	H ₁	W	Weight** (lb)
		150RF	300RF	600RF				
JL9X	2	23	23	—	13 ⁵ / ₁₆	4	8 ⁷ / ₈	93
JLH9X	2	23	23	23	13 ⁵ / ₁₆	4	8 ⁷ / ₈	97

Other standards available, but length and weight may vary.

* JL9X has a screwed-in flange

** Weight is for class 300RF (JL9X), 600RF (JLH9X)

Discharge Capacity



———— : Maximum capacity of JL9X/JLH9X.
 - - - - : Minimum amount of condensate required to prevent steam leakage.

1. Line numbers within the graph refer to orifice numbers.
2. Differential pressure is the difference between the inlet and outlet pressure of the trap.
3. Capacities are based on continuous discharge of condensate 11°F below steam temperature.
4. Recommended safety factor: 1.5.



DO NOT use this product under conditions that exceed maximum differential pressure, as condensate backup will occur!



DO NOT DISASSEMBLE OR REMOVE THIS PRODUCT WHILE IT IS UNDER PRESSURE. Allow internal pressure of this product to equal atmospheric pressure and its surface to cool to room temperature before disassembling or removing. Failure to do so could cause burns or other injury. READ INSTRUCTION MANUAL CAREFULLY.

TLV CORPORATION

13901 South Lakes Drive, Charlotte, NC 28273-6790

Tel: 704-597-9070 Fax: 704-583-1610

E-mail: tlv@tlvengineering.com <https://www.tlv.com>

For Technical Service 1-800 "TLV TRAP"



Manufacturer

TLV CO., LTD.

Kakogawa, Japan

is approved by LRIJA Ltd. to ISO 9001/14001

ISO 9001
ISO 14001

