



FREE FLOAT[®] STEAM TRAP

MODEL J6S-X

FREE FLOAT STEAM TRAP WITH THERMOSTATIC AIR VENTING

Benefits

An all-stainless steel free float steam trap for increased durability with tight shutoff for use on medium-size process equipment.

1. Self-modulating free float provides continuous, smooth, low velocity condensate discharge as process loads vary.
2. Precision-ground float, constant water seal and three-point seating design ensure a steam-tight seal, even under no-load conditions.
3. Thermostatic capsule (X-element) with “fail open” feature vents air automatically until close-to-steam temperature.
4. Easy, inline access to internal parts simplifies cleaning and reduces maintenance costs.
5. Rugged float construction with up to 1600 psig hydraulic shock rating ensures excellent resistance to water hammer.
6. Built-in screen with large surface area ensures extended trouble-free service.



Specifications

Model	J6S-X	
Connection	Screwed	
Size (in)	1/2, 3/4, 1	
Orifice No.	2, 5, 10, 16, 21	
Maximum Operating Pressure (psig)	PMO	30, 75, 150, 230, 300
Maximum Differential Pressure (psi)	Δ PMX	30, 75, 150, 230, 300
Minimum Operating Pressure (psig)	Vacuum	
Maximum Operating Temperature (°F)	TMO	428
Maximum Allowable Pressure (psig)	PMA	300
Maximum Allowable Temperature (°F)	TMA	428

Connections and sizes in bold are standard

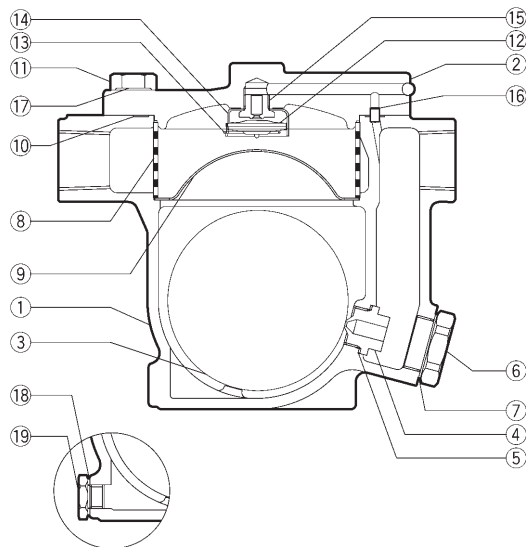


To avoid abnormal operation, accidents or serious injury, DO NOT use this product outside of the specification range. Local regulations may restrict the use of this product to below the conditions quoted.

No.	Description	Material	ASTM/AISI*	JIS
①	Body	Cast Stainless Steel	A351 Gr.CF8	—
②	Cover	Cast Stainless Steel	A351 Gr.CF8	—
③ ^F	Float	Stainless Steel	AISI316L	SUS316L
④ ^R	Orifice	—	—	—
⑤ ^{MR}	Orifice Gasket	Stainless Steel	AISI316L	SUS316L
⑥	Orifice Plug	Cast Stainless Steel	A351 Gr.CF8	—
⑦ ^{MR}	Orifice Plug Gasket	Stainless Steel	AISI316L	SUS316L
⑧ ^R	Screen	Stainless Steel	AISI430	SUS430
⑨ ^R	Screen Holder	Stainless Steel	AISI304	SUS304
⑩ ^{MR}	Cover Gasket	Fluorine Resin	PTFE	PTFE
⑪	Cover Bolt	Stainless Steel	AISI304	SUS304
⑫ ^R	X-element	Stainless Steel	—	—
⑬ ^R	Spring Clip	Stainless Steel	AISI304	SUS304
⑭ ^R	X-element Guide	Stainless Steel	AISI304	SUS304
⑮ ^R	Air Vent Valve Seat	Stainless Steel	AISI420F	SUS420F
⑯	Connector	Stainless Steel	AISI416	SUS416
⑰	Nameplate	Stainless Steel	AISI304	SUS304
⑱	Drain Plug Gasket**	Stainless Steel	AISI316L	SUS316L
⑲	Drain Plug**	Stainless Steel	AISI303	SUS303

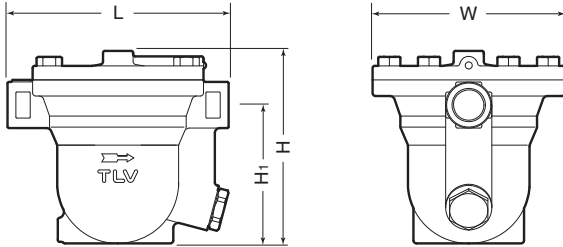
* Equivalent ** Option

Replacement kits available: (M) maintenance parts, (R) repair parts, (F) float



Dimensions

● **J6S-X** Screwed



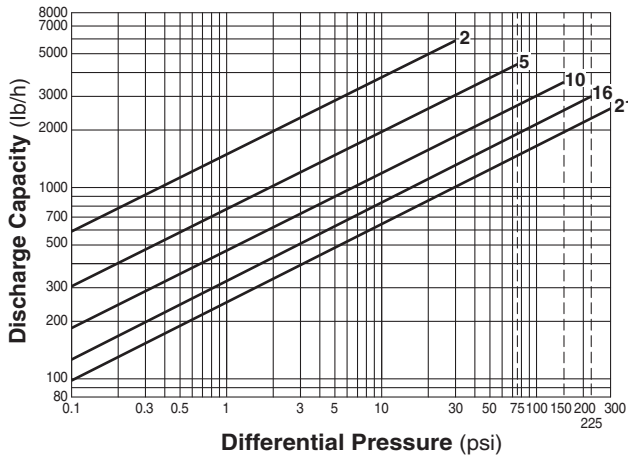
J6S-X Screwed* (in)

Size	L	H	H ₁	W	Weight (lb)
1/2	8 ¹¹ / ₁₆	7 ⁹ / ₁₆	5 ⁷ / ₁₆	7 ¹ / ₂	21
3/4					
1					

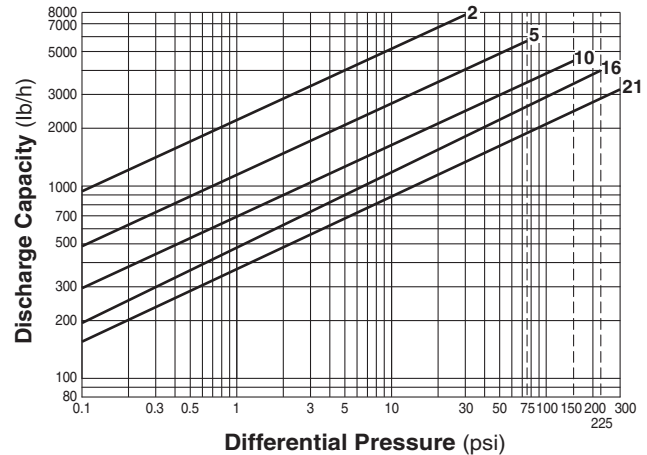
* NPT, other standards available

Discharge Capacity

● **Size 1/2", 3/4"**



● **Size 1"**



1. Line numbers within the graph are orifice numbers.
2. Differential pressure is the difference between the inlet and outlet pressure of the trap.
3. Capacities are based on continuous discharge of condensate 11°F below saturated steam temperature.
4. Recommended safety factor: at least 1.5.



CAUTION DO NOT use this product under conditions that exceed maximum differential pressure, as condensate backup will occur!



CAUTION DO NOT DISASSEMBLE OR REMOVE THIS PRODUCT WHILE IT IS UNDER PRESSURE. Allow internal pressure of this product to equal atmospheric pressure and its surface to cool to room temperature before disassembling or removing. Failure to do so could cause burns or other injury. READ INSTRUCTION MANUAL CAREFULLY

TLV CORPORATION

13901 South Lakes Drive, Charlotte, NC 28273-6790
 Tel: 704-597-9070 Fax: 704-583-1610
 E-mail: tlv@tlvengineering.com <https://www.tlv.com>
 For Technical Service 1-800 "TLV TRAP"



Manufacturer
TLV CO., LTD.
 Kakogawa, Japan
 is approved by LRQA Ltd. to ISO 9001/14001

