



PowerDyne® STEAM TRAP

MODEL P46S

COMPACT THERMODYNAMIC DISC TRAP

Benefits

Stainless steel trap includes Y-strainer for reliable performance in tracing, instrumentation, and steam mains.

1. Hardened stainless steel working surfaces for long service life.
2. Air-jacketing reduces no-load cycling and extends service life.
3. Lapped disc provides steam-tight seal for long service life.
4. Built-in screen for extended trouble-free service.
5. Installing an optional blowdown valve enables quick and easy removal of scale.



With optional BD1

Specifications

Model	P46S	
Connection	Screwed	
Size (in)	1/4, 3/8, 1/2	
Maximum Operating Pressure (psig) PMO	650*	
Minimum Operating Pressure (psig)	5	
Maximum Operating Temperature (°F) TMO	800	
Maximum Allowable Pressure (psig) PMA	650	
Maximum Allowable Temperature (°F) TMA	800	
Maximum Back Pressure	80% of Inlet Pressure	

* For best performance over extended periods, it is recommended that the trap be operated at or below 300 psig.

Connections and sizes in bold are standard



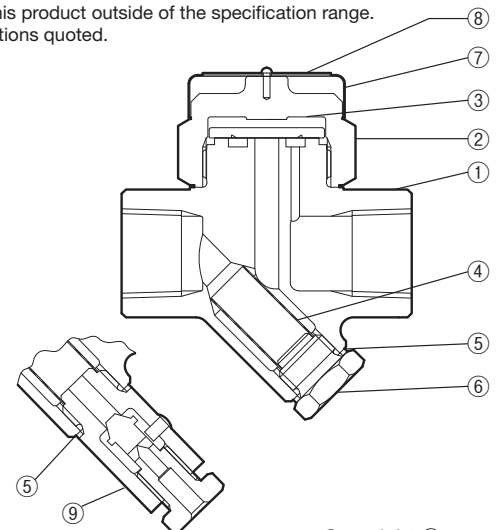
CAUTION

To avoid abnormal operation, accidents or serious injury, DO NOT use this product outside of the specification range. Local regulations may restrict the use of this product to below the conditions quoted.

No.	Description	Material	ASTM/AISI*	JIS
①	Body	Cast Stainless Steel	A743 Gr.CA40	—
② ^R	Cover	Stainless Steel	AISI420F2	SUS420F2
③ ^R	Disc	Hardened Stain. Steel	AISI420	SUS420J2
④ ^R	Screen	Stainless Steel	AISI430	SUS430
⑤ ^{MR}	Screen Holder Gasket	Stainless Steel	AISI316L	SUS316L
⑥	Screen Holder	Stainless Steel	AISI303	SUS303
⑦ ^R	Cap	Stainless Steel	AISI304	SUS304
⑧ ^R	Nameplate	Stainless Steel	AISI304	SUS304
⑨	BD1 Blowdown Valve**	Stainless Steel	AISI304	SUS304

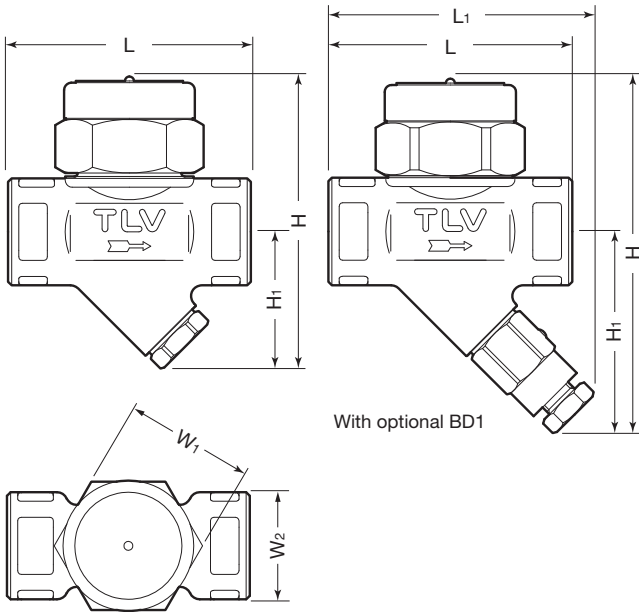
* Equivalent ** Option

Replacement kits available: (M) maintenance parts, (R) repair parts,



Dimensions

● **P46S** Screwed

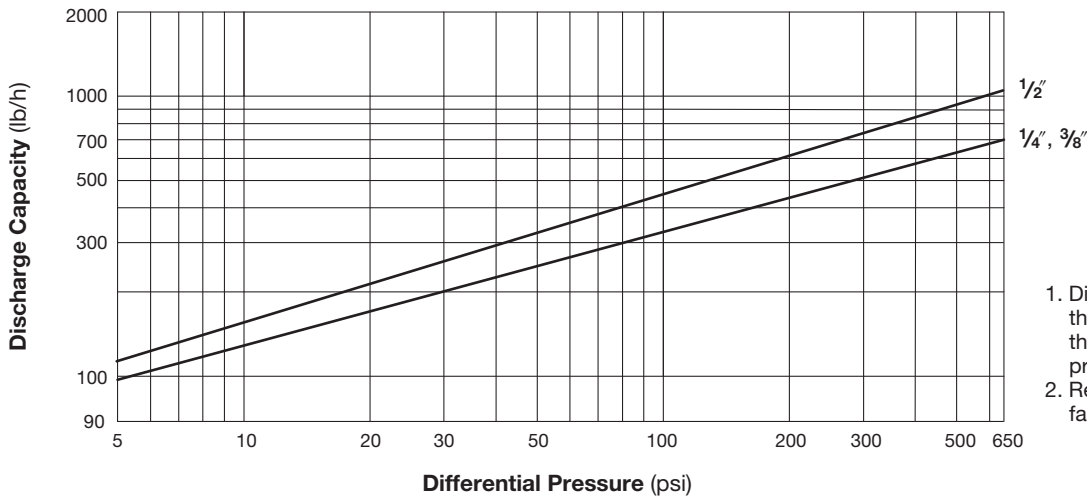


P46S Screwed* (in)

Size	L	L ₁	H	H ₁	W ₁	W ₂	Weight (lb)
1/4	2	(2 1/16)	3	1 7/16	1 3/8	1 5/16	0.8 (0.9)
3/8			(3 3/4)	(2 3/16)			
1/2	2 11/16	(2 15/16)	3 1/4 (4)	1 1/2 (2 1/4)			1 3/16

* NPT, other standards available
() with optional BD1

Discharge Capacity



1. Differential pressure is the difference between the inlet and outlet pressure of the trap.
2. Recommended safety factor: at least 2.



CAUTION DO NOT DISASSEMBLE OR REMOVE THIS PRODUCT WHILE IT IS UNDER PRESSURE. Allow internal pressure of this product to equal atmospheric pressure and its surface to cool to room temperature before disassembling or removing. Failure to do so could cause burns or other injury. READ INSTRUCTION MANUAL CAREFULLY

TLV CORPORATION

13901 South Lakes Drive, Charlotte, NC 28273-6790
 Tel: 704-597-9070 Fax: 704-583-1610
 E-mail: tlv@tlvengineering.com <https://www.tlv.com>
 For Technical Service 1-800 "TLV TRAP"



Manufacturer
TLV CO., LTD.
 Kakogawa, Japan
 is approved by LRQA Ltd. to ISO 9001/14001

