

SC4200c Claros Connector

Applications

- Wastewater
- Drinking Water
- Industrial Water
- Other



Enhance your controller with remote accessibility

Connect your existing Hach SC200 or SC1000* for remote access to online systems data anytime, anywhere.

Ensure Instrument Accuracy

Step-by-step instructions on any connected device help ensure operators perform maintenance correctly, simplifying training, minimizing downtime, and assuring accurate instrument performance.

Remote Monitoring

Capture 24/7 oversight of your plant and process with continual remote access to your measurements and instrumentation.

Condition-based Maintenance

Predictive diagnostic software constantly monitors your instruments' health, allowing you to optimize your maintenance schedule and prioritize according to true need.

**Claros Connector for SC1000 available Q4 2020*

Technical Data*

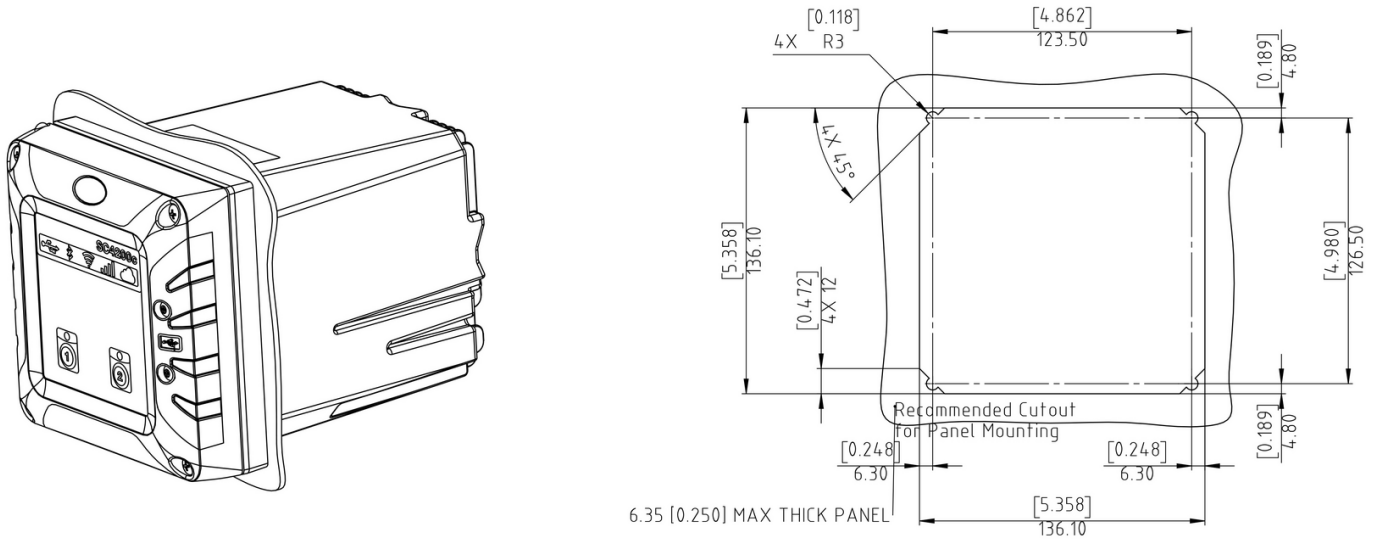
Description	Microporessor-controlled and menu-driven gateway that connects to SC200 or SC1000
Dimensions	½ DIN - 144 x 144 x 192 mm (5.7 x 5.7 x 7.6 in.)
Weight	3.7 lb (controller only, w/o modules)
Enclosure Rating	NEMA 4X/IP66 metal enclosure with a corrosion-resistant finish
Operating Temperature Range	LAN version: -20 - 60 °C (-4 - 140 °F) Cellular version: -20 - 55 °C (-4 - 131 °F)
Storage Conditions	-20 - 70 °C (-4 - 158 °F), 0 - 95% relative humidity, non-condensing
Altitude	2000 m (6562 ft) maximum
Installation Category	Category II
Pollution Degree	2
Protection Class	I, connected to protective earth
Power Requirements (Voltage)	100 - 240 VAC
Power Requirements (Hz)	50/60 Hz
Measurements	One connection to SC controller
Relays	High voltage: Two relays (SPDT) Maximum switching voltage: 250 VAC Maximum switching current: 5 A (resistive only load) Maximum switching power: 1250 VA, 125 W (resistive only load) Wire gauge: 0.75 to 2.5 mm ² (18 to 12 AWG) Low voltage: Four relays on each low voltage relay module
Communication Capabilities	Profibus DPV1 card
Network Connectivity	LAN version: Two Ethernet connectors (10/100 Mbps), switch function, M12 female D-coding connector. Cellular version: SIM card holder (3G/4G). The type of connection is dependent on controller configuration.

USB Port	Used for data download and software upload. The controller records approximately 20,000 data points for each connected sensor.
Compliance Certifications	CE approved (with all sensor types). Listed for use in general locations to UL and CSA safety standards by ETL (with all sensor types). Certain AC mains powered models are listed for use in general safety locations to UL and CSA safety standards by Underwriters Laboratories (with all sensor types).
Warranty	1 year
Compatible Network Technologies	GSM 3G/4G (e.g. AT&T, T-Mobile, Rogers, Vodafone etc.) External CDMA (e.g. Verizon)
Compatible Instruments	Ammonium: Amtax sc, AN-ISE sc, A-ISE sc Nitrate: Nitratax sc, N-ISE sc, Nitratax clear/eco/plus sc Phosphate: Phosphax sc, Phosphax sc LR Organics: Uvas sc pH/ORP: pHD sc, 1200-S sc, 8362sc Conductivity: 3700sc, 3798-S sc, 3400sc Ozone: 9185sc Dissolved Oxygen: LDO 2 sc Chlorine: CL10sc, CL17sc, 9184sc Chlorine dioxide: 9187sc Suspended Solids: Solitax sc, TSS sc Sludge Level: Sonatx sc Turbidity: TU5300sc/TU5400sc, Ultraturb sc, SS7 sc

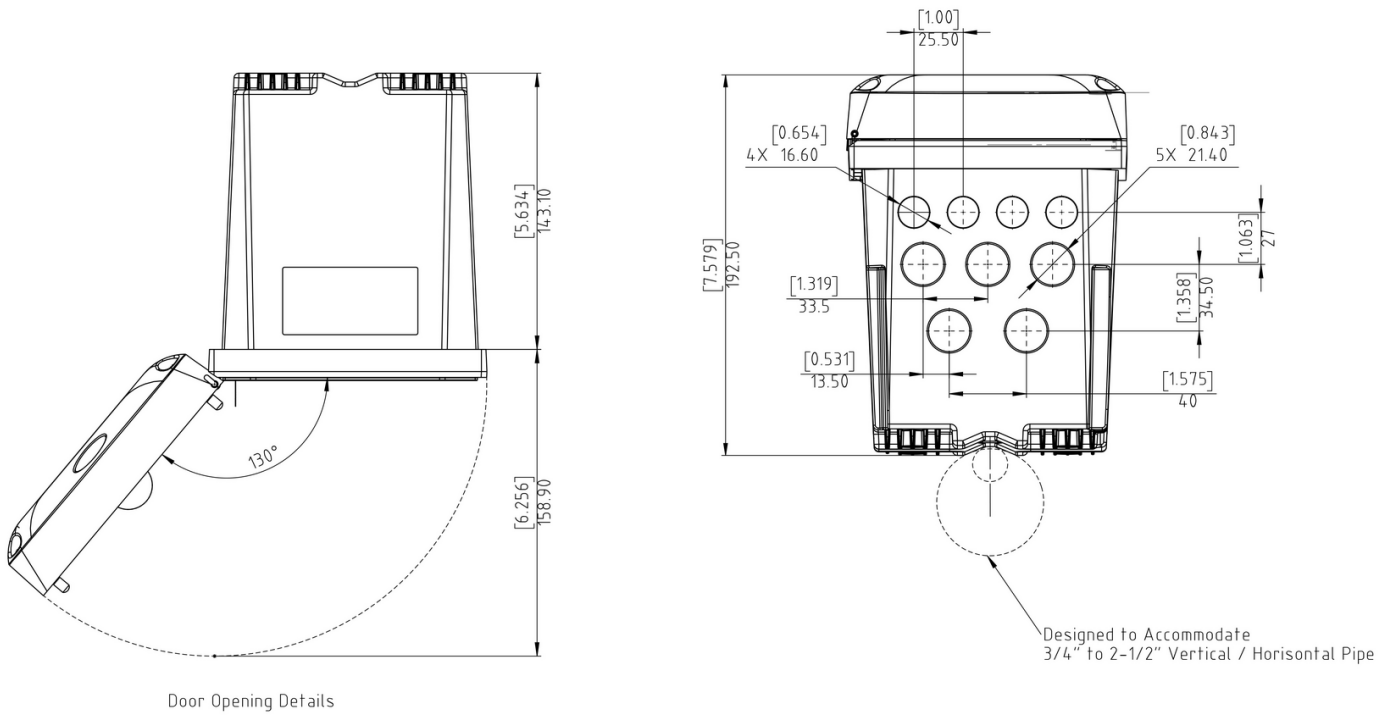
*Subject to change without notice.

Dimensions

Panel mounting dimensions



Top and bottom views



Order Information

Claros Connector

- LXV524.99.100A0** SC4200c Claros Connector, LAN, with plug
- LXV524.99.110A0** SC4200c Claros Connector, 3G/4G AT&T US, with plug
- LXV524.99.130A0** SC4200c Claros Connector, 3G/4G Europe, with plug
- LXV524.99.140A0** SC4200c Claros Connector, External Box for Wi-Fi/Cellular, with plug

Other configurations are available.

Please contact Hach Technical Support or your Hach representative.

Accessories

- LXZ524.99.00046** Remote Service Connector for SC200
- LXZ524.99.00043** Remote Service Connector for SC1000*
- LXZ524.99.00004** UV Protection Screen
- LXZ524.99.00033** Sunroof Visor
- LXZ524.99.00037** Sunroof

**Claros Connector for SC1000 available Q4 2020*



This instrument connects to Claros, Hach's innovative Water Intelligence System. Claros allows you to seamlessly connect and manage instruments, data, and process – anywhere, anytime. The result is greater confidence in your data and improved efficiencies in your operations. To unlock the full potential of Claros, insist on Claros Enabled instruments.



With Hach Service, you have a global partner who understands your needs and cares about delivering timely, high-quality service you can trust. Our Service Team brings unique expertise to help you maximize instrument uptime, ensure data integrity, maintain operational stability, and reduce compliance risk.

Hach World Headquarters: Loveland, Colorado USA

United States: 800-227-4224 tel 970-669-2932 fax orders@hach.com

Outside United States: 970-669-3050 tel 970-461-3939 fax int@hach.com

hach.com

Printed in U.S.A.

©Hach Company, 2020. All rights reserved.

In the interest of improving and updating its equipment, Hach Company reserves the right to alter specifications to equipment at any time.



Be Right™