

Switch Mobile

by *Claridge*



With the new Switch Mobile, we identified several key functions needed in multi-use settings, most notably the ability to stack and store pieces into a small footprint. The simple form of the mobile legs takes inspiration from the splitting and bending of a single plane - imagine taking a single piece of paper and tearing it apart. This not only gives the Switch Mobile a look as if it is in movement but also allows the mobiles to nest in-line tightly together, taking up a small footprint when being stowed away into a closet or corner of the room.

Switch Mobile

PRODUCT DESIGN NOTES

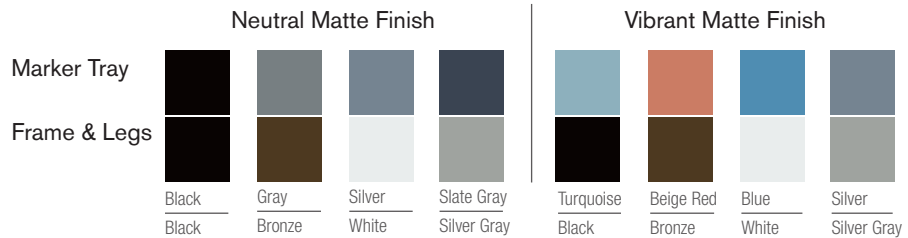
- An integrated marker tray gives a pop of color along the bottom edge of the board while mimicking the shape of the legs as it bends away from the writing surface
- The slim trim elements give the board a minimalistic quality that is sure to fit well in a wide variety of environments
- Switch is designed to be functionally agile; providing an optional tackable surfaces that can be moved and configured for collaborative use
- Mobile boards can be easily nested and stowed away when not in use
- Comes with two (2) locking and two (2) non-locking Hubless Casters. The hollow interior not only projects a unique aesthetic appeal but even enhances the overall stability.

PRODUCT FEATURES

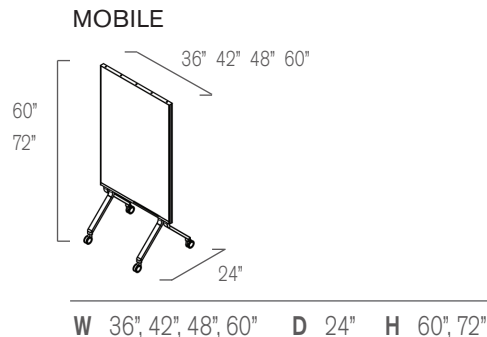
Writing Surfaces: Claridge Porcelain - 6 standard Porcelain colors
Claridge Glass - 10 standard Glass colors

Tackable Pads: Claridge Acoustics - 5 standard plus 15 optional colors

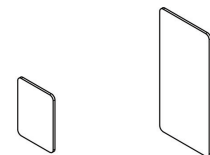
Standard Colors:



Standard Sizes:



OPTIONAL TACKABLE PADS



W 9", 14" D .5" H 14", 27"