

# Intelligent Sensor/Switch/Display

8311

- Accurate, reliable pressure switching
- Switch for alarm or event logging
- Bar graph display for local monitoring

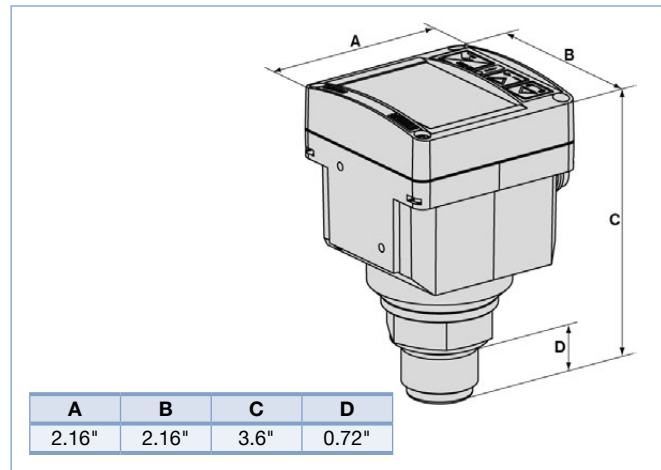


Programmable pressure sensor with switching and transmitting functions. It has a large display with bar graph and simple menu guided controls. Connection to the process with standard stainless steel connection and it can be set up with alarm, control or monitoring functions.

## Technical Data

Measuring range	To 725 PSI
Switching accuracy $\pm 0.9$ °F (0-176 °F)	$\pm 1.5\%$ FS
Medium temperature	-4 °F to 212 °F (212 °F for an ambient temperature of Max. 104 °F)
Repeatability	0.25% FS
Housing, cover	PC+20% glass fiber
Sensor element	Ceramic
Wetted parts (NPT seal)	316L stainless steel, ceramic/FKM (EPDM optional)
Ambient temperature range	0 °F to 140 °F
Ingress protection	IP65
Voltage supply	12-30 VDC
Protection	Reversed polarity of DC protected
Current consumption max.	750 mA max (with load - PNP output configuration)
Electrical protection	Short circuit protection
Max. cable length	164' shielded
Electrical connections	Cable plug Multipin 5 pin, M12
Output	Transistor output NPN and PNP 5-30 VDC, 700 mA

## Envelope Dimensions [inch] (see datasheet for details)



## Options

- Cable plug 2508, DIN 43650A 1/2" conduit
- Outputs: Relay 3 A/250 or 3 A/30 VDC
- 4-20 mA output
- Two-wire loop powered

## Ordering Chart

Pressure range	Electrical connection	Output	Burst Pressure [PSI]	Max. Pressure [PSI]	*Item no.
0-30	M12 plug	NPN/PNP	102	58	98108565
0-73	M12 plug	NPN/PNP	174	145	98108558
0-145	M12 plug	NPN/PNP	363	290	98108551

\*Includes M12 cable plug

Accessories for Type 8311	Item no.
M12 female cable connector with plastic threaded locking ring	917 116
5 pin M12 female connector moulded on cable (2 m, shielded)	438 680

More Versions	Pressure [PSI]	Item no.
Transmitter Version is also available with 4-20 mA output in 8 pin M12 (please see datasheet for details)	0-30	444 640
	0-73	444 641
	0-145	444 642