

LaserLT-60 and LaserLT-100

Two-inch, Four-inch Remote Display or Weight Indicator



Specifications

Display:

6-digit, 7-segment discrete oval red LED lamps, single width
 2.4 in (60 mm) or 4 in (100 mm) digit
 Decimal/comma indication in any position
 Annunciators for NT, Stability, COZ

Maximum Viewing Distance:

LaserLT-60: 2.4 in digit 75 ft (25 m)
 LaserLT-100: 4 in digit 150 ft (50 m)

Input Interface:

RS-232, RS-485

Output Interface:

RS-232, RS-485

Input Data Format:

Baud Rate: 1200 to 115.2 K software selectable.
 Even parity 7 data bits, or no parity 8 data bits

Update:

Software selectable 1-20/sec

Digital I/O:

Two inputs, 12-24VDC
 Two outputs, 48VAC, 60VDC max

Rating/Material:

304 stainless steel, IP68

Weight:

10 lb

Operating Temperature:

-40°F to 120°F (-40°C to 49°C)

Warranty:

One-year limited warranty

Approvals:

CE marked

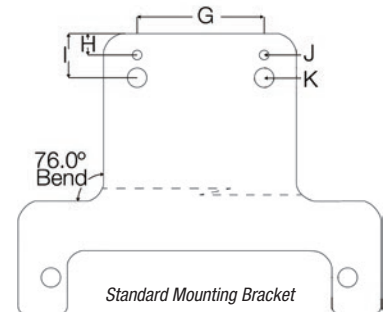
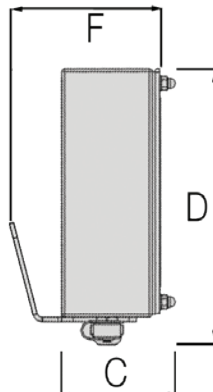
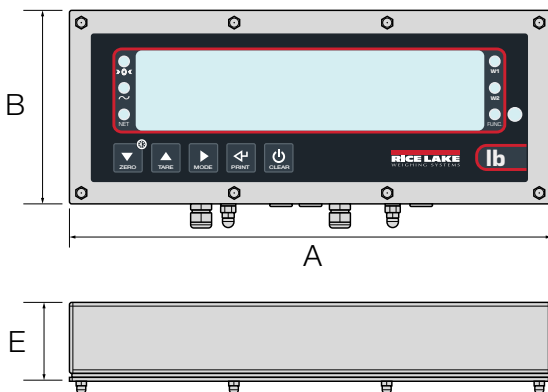
Approvals



Standard Features

- Available as a 2.4 in (60 mm) or 4 in (100 mm) display
- Six-digit display with high-intensity LEDs
- Auto Learn mode, weight value only
- Configuration for format length, weight location, termination character
- Manual Configuration mode for reading weight, variables and bitmap bytes
- Parameters for motion, overload, decimal point, net character, COZ
- Status LEDs for Zero, Motion, Net, Unit 1, Unit 2
- Integrated five-key waterproof keypad with configurable scale commands
- Adjustment for six levels of brightness through the keypad
- Includes removable back wall mount bracket
- Fitted with anti-condensation air valve to regulate humidity and pressure
- Powered with 110 - 240VAC or 12 to 24VDC

Dimensions			
LaserLT-60			
A	16.14 in (410 mm)	D	7.28 in (185 mm)
B	6.50 in (165 mm)	E	2.64 in (67 mm)
C	3.03 in (77 mm)	F	4.84 in (123 mm)
LaserLT-100			
A	16.93 in (430 mm)	D	7.63 in (194 mm)
B	7.28 in (185 mm)	E	2.52 in (64 mm)
C	2.52 in (64 mm)	F	3.98 in (101 mm)
Mount Bracket		Hole Dimensions	
G	2.36 in (60 mm)	J	2 x Ø 6.0 mm
H	0.39 in (10.0 mm)	K	2 x Ø 10 mm
I	0.81 in (20.5 mm)		



LaserLT-60 and LaserLT-100

Two-inch, Four-inch Remote Display or Weight Indicator

Part Number/Price

Part #	Description	Price
Remote Display		
185253	LaserLT-60 remote display, 2.4 in (60 mm) LED	\$1,100.00
185255	LaserLT-100 remote display, 4.0 in (100 mm) LED	\$1,400.00
Weight Indicator		
197453*	LaserLT-60, indicator with weighing functionality 2.4 in (60 mm) LED	\$1,150.00
197454*	LaserLT-100, indicator with weighing functionality 4.0 in (100 mm) LED	\$1,450.00

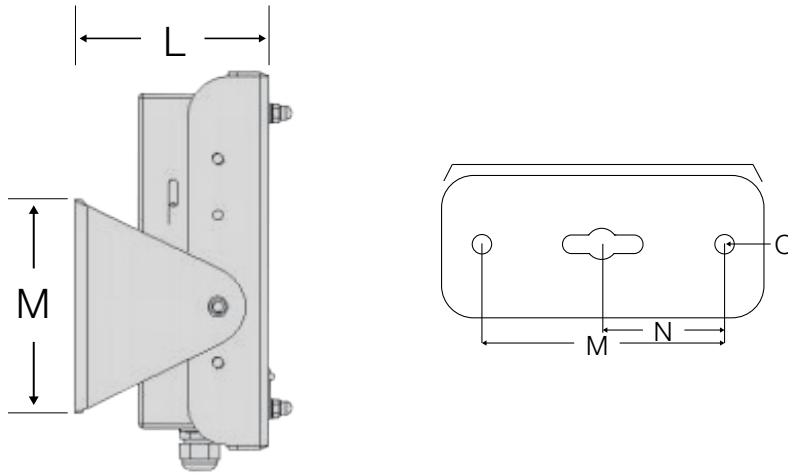
*See Instrumentation catalog section for LaserLT models that are configurable as a weight indicator (using SCT-1100 firmware).

- Max 10,000 divisions or multi-range
- A/D 24 bit 4-channel conversion
- Connect 4 cells with summing or up to 4 independent weighing systems

Options/Accessories

Part #	Description	Price
185256	Mount bracket, 2 tilting side brackets for LaserLT-100	\$50.00
185258	Visor for LaserLT-100	\$125.00

Dimensions			
Optional Side Bracket		Hole Dimensions	
L	3.875 in (98 mm)	P	2 x Ø 7.0 mm
M	1.97 in (50 mm)	Q	0.43 in (11 mm)
N	3.15 in (80.0 mm)	R	0.28 in (7 mm)
O	1.57 in (40 mm)	S	4.13 in (105 mm)



LaserLT-100
Optional Side Bracket