

Angle Control Valve and Globe Control Valve

8802 / 2300 / 2301

2/2-way continuous control, 1/2" to 4"

- High cycle life and maintenance-free operation
- Stainless IP65 and 67, NEMA4 protection
- Excellent control characteristics and impact resistance
- Simple to install and commission



CLICK ME



FOR DATA SHEET

ELEMENT Control Valves

As part of a remarkable range of attractive and process control components our hardworking angle control valves offer high flows for large capacity heat exchange operations while our globe valves offer extreme precision and quiet operation. Both can be incorporated in the superlative 8802 control valve system. The 8802 Continuous ELEMENT architecture enables the easy integration of three levels of automation modules: a simple blind Positioner; a positioner with display; and a fully functional process controller. A range of fieldbus interfaces (AS-i, Profibus or DeviceNET) can be added with ease.

Simple, intuitive, multilingual menu driven HMI allows you to control your loop with the minimum time investment.

Threaded, OD tube weld ends, clamp, and flanged connections make this an easily installed part of your control loop. These control valves offer unmatched life cycle performance. Truly Intelligent, Integrated and Beautiful.

Technical Data

	2300 Angle Seat	2301 Globe
Orifice	1/2" (DN15) to 2 1/2" (DN65)	3/8" (DN10) to 4" (DN100)
Medium temperature	14°F to 365°F; -10°C to +185°C	
Ambient temperature	Max. 55°C; 131°F	
Body material	316L stainless steel	
Sealing material	PTFE/stainless steel	
Actuator material	PPS/stainless steel band	
Control medium	Instrument air at 85-100 PSI	
Flow direction	Under seat anti water-hammer	
Port connection	2300/2301 NPT/OD Tube/Clamp and 2301 ANSI Flanged	
Safe position	Normally closed	



8802 Technical Data

Material	
Body	PPS, stainless steel
Cover	PC
Sealing	EPDM
Control medium	
Dust concentration	neutral gases, air, quality classes acc. to ISO 8573-1 Class 7 (<40µm particle size)
Particle density	Class 5 (<10mg/m³)
Pressure condensation	Class 3 (<-20°C)
Oil concentration	Class X (<25mg/m³)
Supply pressure	
	Low air flow rate 0-101.52 PSI (0 to 7 bar ¹⁾) High air flow rate 43.5-101.52 PSI (3 to 7 bar)
Pilot air ports	Threaded ports G1/8 stainless steel
Seal material	EPDM
Electrical Connection	
Multipole connection	M12, 8-pins or 4-pins
Cable gland	2xM16 x 1.5 (cable-Ø 5 - 10 mm) with connection terminals for cable cross-sections 0.14 - 1.5 mm²
Ambient temperature	-10°C to 55°C; 14°F to 131°F
Protection type	IP65/IP67 acc. to EN 60529, Type 4X acc. to NEMA 250 standard

¹ The supply pressure has to be 7.25-14.05 bar above the minimum required pilot pressure for the valve actuator.

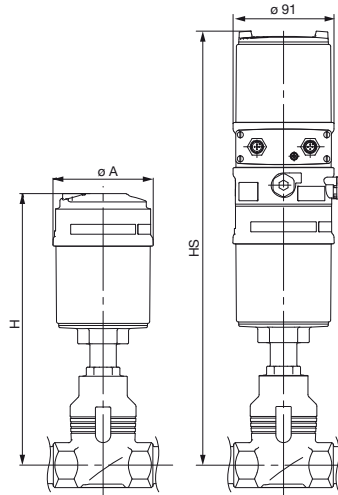
Dimensions [inch] (see datasheet for more details)

8802 NPT end	Connection	Actuator [mm]	HM	BM	LM
	1/2"	70	11.02	12.13	2.56
	3/4"	70	11.34	12.52	2.95
	1"	70	13.03	14.25	3.54
	1 1/2"	130	15.12	15.08	4.72
	2"	130	15.63	17.40	5.91
	2 1/2"	130	16.93	19.17	7.28

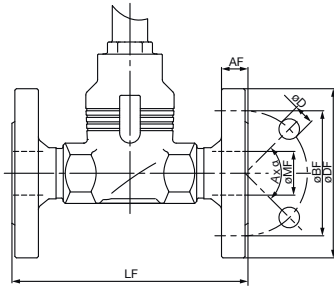
Dimensions [inch] (see datasheet for more details)

2301 without and with TopControl Type 8692

Size	Actuator [mm]	ØA	H	HS with 8692
1/2"	70	3.58	9.40	15.07
3/4"	70	3.58	9.64	15.31
1"	90	4.72	11.85	17.52
1 1/2"	130	6.26	15.19	20.86
2"	130	6.26	15.43	21.10
2 1/2"	130	6.26	17.55	23.22
3"	130	6.26	17.87	23.54
4"	130	6.26	18.26	23.93



2301 flanged body



Port size (tube) [inch]	Actuator size [mm]	Actuator [mm]					
		ØDF	LF	ØBF	AF	ØD	ØMF
1/2	70	3.50	7.24	2.38	0.41	0.61	0.61
3/4	70	3.89	7.24	2.75	0.50	0.61	0.81
1	70	4.25	7.24	3.11	0.55	0.61	1.05
1-1/2	90	5.00	8.74	3.88	0.68	0.61	1.05
2	130	5.98	10.00	4.75	0.75	0.75	2.07
2 1/2	130	7.00	10.86	5.50	0.87	0.75	2.48
3	130	7.48	11.73	6.00	0.94	0.75	3.07
4	130	9.01	13.85	7.50	0.94	0.75	4.01

Ordering charts

Angle Control Valve (2300 + 8692)

Size	Orifice [mm]	Cv	Pressure	NPT		Tube		Clamp	
				PTFE/St.st.	St.st./St.st.	PTFE/St.st.	St.st./St.st.	PTFE/St.st.	St.st./St.st.
1/2"	15	5.8	232	336 492	337 376	336 509	337 391	337 343	336 461
3/4"	20	11.6	232	336 494	467 877	336 511	337 395	337 344	337 420
1"	25	18.5	232	336 495	337 378	336 512	337 402	337 346	338 033
1 1/2"	40	41.6	232	336 496	467 878	337 313	337 408	337 373	338 034
2"	50	61.3	232	336 504	467 874	337 314	336 458	333 086	338 036
2 1/2"	65	104.1	232	336 508	337 287	337 315	337 412	337 375	333 091

Globe Control Valve (2301 + 8692)

Size	Orifice [mm]	Cv	Pressure	Flange		NPT	
				PTFE/St.st.	St.st./St.st.	PTFE/St.st.	St.st./St.st.
1/2"	15	5	232	338 037	337 323	337 384	467 880
3/4"	20	8.3	232	338 038	337 324	338 073	337 413
1"	25	13.9	232	338 039	337 338	467 881	337 134
1 1/2"	40	27.7	232	338 042	337 339	338 075	337 414
2"	50	43	232	338 045	467 872	338 124	337 416
2 1/2"	65	75.6	232	338 049	333 067	338 216	337 419
3"	80	116.3	145	338 070	333 059	-	-
4"	100	162.8	87	338 072	337 340	-	-

Size	Orifice [mm]	Cv	Pressure	Tube		Clamp	
				PTFE/St.st.	St.st./St.st.	PTFE/St.st.	St.st./St.st.
1/2"	10	3.1	232	338 227	337 316	-	-
	15	5	232	-	-	338 255	333 093
3/4"	15	5	232	338 234	337 317	337 288	338 257
1"	20	8.3	232	338 239	336 479	337 289	338 249
1 1/2"	32	20.7	232	338 242	336 459	337 290	338 259
2"	40	27.7	232	336 462	336 474	338 256	338 253
2 1/2"	50	43	232	338 244	338 223	-	-
3"	65	75.58	232	338 246	337 320	-	-
4"	100	162.8	87	338 248	336 350	-	-