

# Blind INSERTION Magmeter

8041

For use with fitting 1/2" to 14"

- Solid state technology
- Clean in place (CIP)
- FDA approved

Please see fitting S020



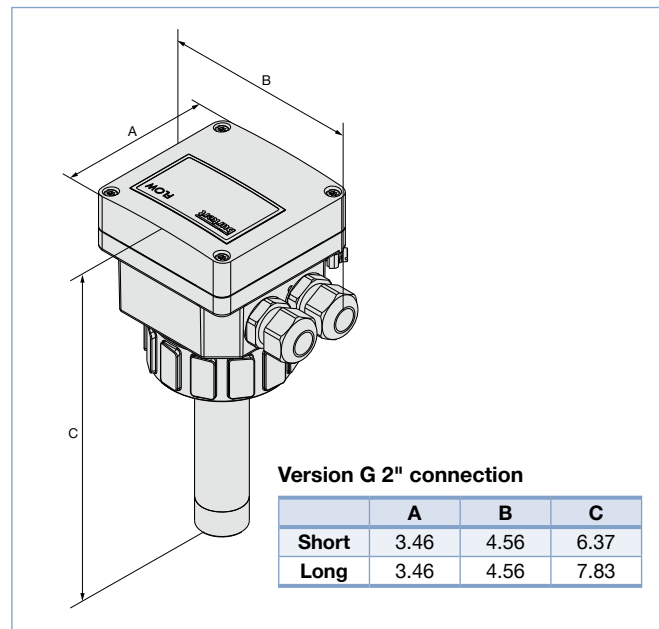
The insertion magmeter constructed from a PVDF finger and high quality blind electronic module. Perfect for contaminated or aggressive fluids it has both 4-20 mA and pulse output, with optional 3A relays, making this a flexible solution for flow control or batching.

## Technical Data

<b>Size range</b>	1/2" - 14"
<b>Measuring ranges</b>	0.7 - 33 ft/s
<b>Measuring error (teach in)</b>	≤ ±2% o.R. (3.28-32.81 ft/s)
<b>Measuring error (standard k-factor)</b>	≤ ±4% o.R. (3.28-32.81 ft/s)
<b>Linearity</b>	≤ ±(1% o.R. + 0.1% o.FS)
<b>Repeatability</b>	±0.25% o.R.
<b>Housing material</b>	PC+20% glass fibre
<b>Electrode material</b>	316L SS
<b>Mag-sensor material</b>	PVDF or SS
<b>O-rings</b>	FKM
<b>Max. fluid temperature</b>	
PVDF sensor version	176 °F
SS sensor version	302 °F*
<b>Ambient temperature range</b>	14 °F to 140 °F
<b>Max. fluid pressure</b>	145 PSI (PVDF & SS version with S020 plastic fitting) 232 PSI (SS version with S020 metal fitting)
<b>Fluid conductivity</b>	> 20 µS (Micro-Siemens)
<b>Storage temperature</b>	-4 °F to 140 °F
<b>Voltage supply</b>	18-36 VDC
<b>Current consumption Max.</b>	≤ 220 mA
<b>Electrical protection</b>	Short circuit protection Reversed polarity of DC protected
<b>Electrical connections</b>	M20 cable glands (optional 1/2" conduit)
<b>Outputs</b>	4-20 mA Transistor, Max. 100mA, frequency 0...240 Hz Relay output 3 A/250 VAC
<b>Output load</b>	Max. 1100 Ω at 36 V Max. 330 Ω at 18 V
<b>Ingress protection</b>	IP65

\*302 °F with SS finger and S020 metal fitting

## Envelope Dimensions [inch] (see datasheet for details)



## Options

- Hastelloy C Electrodes
- Tri-Clamp connection

## Ordering Chart Transmitter Type 8041

Voltage supply	Output	Relay	Housing material	Seal material	Sensor version	Electrical connection	Item no.
18...36 V DC	4-20 mA, frequency	1	PC	FKM	short, PVDF	2 cable glands	558 064
					long, PVDF	2 cable glands	558 065
			PPA	FKM	short, stainless steel	2 cable glands	552 779
					long, stainless steel	2 cable glands	552 780

**Note:** 1 Kit 558 102, 1 relay connection kit 552 812 and 1 EPDM seal are supplied with each transmitter. | To select a complete device the following items need to be ordered: • Prod. no. of the desired flow meter for Type 8041 • Prod. no. of the Type S020 fitting, for gauges with G 2" connector, must be ordered separately