



DESCRIPTION The Roto-Bin-Dicator® is the most universal of all level sensing technologies and is the most popular level switch used in dry bulk materials. The Roto-Bin-Dicator® is a rotating paddle type, bulk material level sensor offered with a wide variety of paddle options for unequalled application versatility. It is easy to install and requires no special tools or calibration.

The impact resistant injection molded Mini Roto has been designed for use in small bins and hoppers where mounting space is at a premium. This compact and rugged level sensor includes adjustable sensitivity allowing it to be used in materials with densities between 5 lbs/ft³ and 65 lbs/ft³.

FEATURES AND BENEFITS

Simple Mechanical Mechanism

- No calibration required

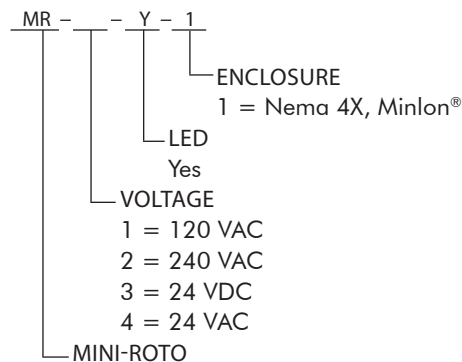
Wide Variety of Paddle Options

- Unequaled application versatility

Mount in Any Orientation

- High, intermediate, or low level indication
- Bulk densities from 5 lb/ft³ to 65 lb/ft³

HOW TO ORDER



ACCESSORIES

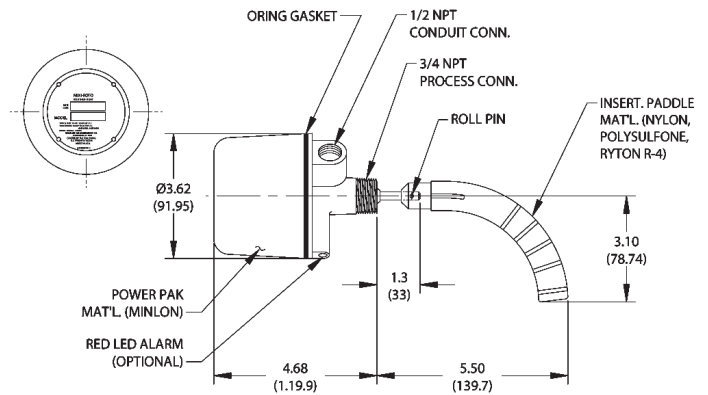
| | |
|-----------|-----------------------------------|
| LMR110006 | 2 Vane (3"x12") PVC Paddle |
| LMR110007 | PVC Extension & Guard Assembly |
| LMR110008 | 304 SS Extension & Guard Assembly |
| LMR120003 | Insertable paddle, Nylon® |
| LMR120006 | 4 Vane Paddle, Nylon® |
| LMR120024 | 4 Vane Paddle, Ryton® |
| LMR120025 | 4 Vane Paddle, Food Grade |
| LMR120026 | Insertable Paddle, Ryton® |
| LMR120027 | Insertable Paddle, Food Grade |
| LMR130025 | Mounting Plate, Nylon® |
| LMR130026 | Mounting Plate Gasket |

Mini Roto-Bin-Dicator®

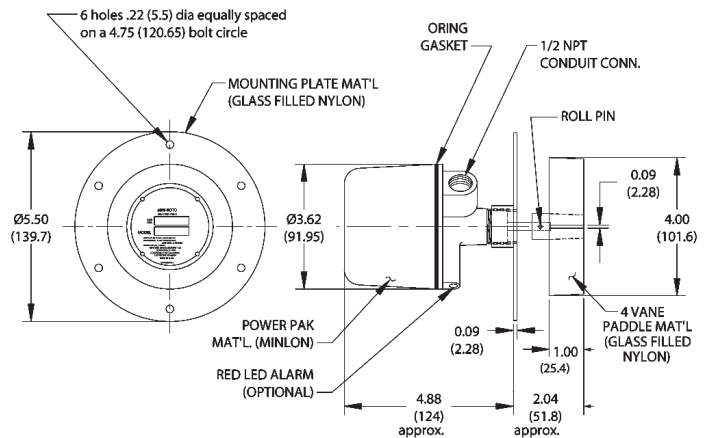
SPECIFICATIONS

| FUNCTIONAL | |
|-----------------------|--|
| Operating Power | 120/240 VAC, 24 VDC or 24 VAC |
| Motor Rating | Permanent-magnet synchronous, 2 watts |
| Switch Rating | SPDT 10A 125 VAC 10A 250 VAC ½ A 125 VDC ¼ A 250 VDC |
| Operating Temperature | -40° F (-40° C) to 200° F (93° C) |
| PHYSICAL | |
| Drive Shaft Assembly | Precision machined shaft with two shielded ball bearings |
| Shaft Seal | Teflon®/Viton™ Lipseal™ rated ½ micron @ 30 psi (2.1 kg/cm²) @ 400° F (204° C) |
| Housing and Cover | Injection Molded Minlon®, corrosion resistant weatherproof (NEMA 4, 4X, 5) |
| Mounting | ¾" NPT |
| Paddle | Nylon®, Ryton® or Polysulfone Injection Molded; Insertable, 4 Vane and 2 Vane (PVC only) |
| Shaft Extension | PVC or 304 Stainless Steel |
| Conduit Entry | ½" NPT |
| Screw Terminals | For power and switch wiring |
| Shipping Weight | 1.0 lb (454 g) |

DIMENSIONS



NOTE: BRKT'D. DIM'S () ARE IN M.M.



NOTE: BRKT'D. DIM'S () ARE IN M.M.



150 Venture Boulevard · Spartanburg, SC 29306
Tel: (800) 778-9242 · (864) 574-8060
Fax: (864) 574-8063
E-mail: sales@bindicator.com
www.bindicator.com

venture
MEASUREMENT

LMR 180000 Rev. E

2016 All rights reserved.
All data subject to change without notice.