

Temperature Transmitter/Switch with display

8400

- Menu-guided configuration
- Wide choice of connections and outputs
- Large digital display
- Bar graph display for local monitoring
- Continuous On/Off control
- 2-wire transmitter

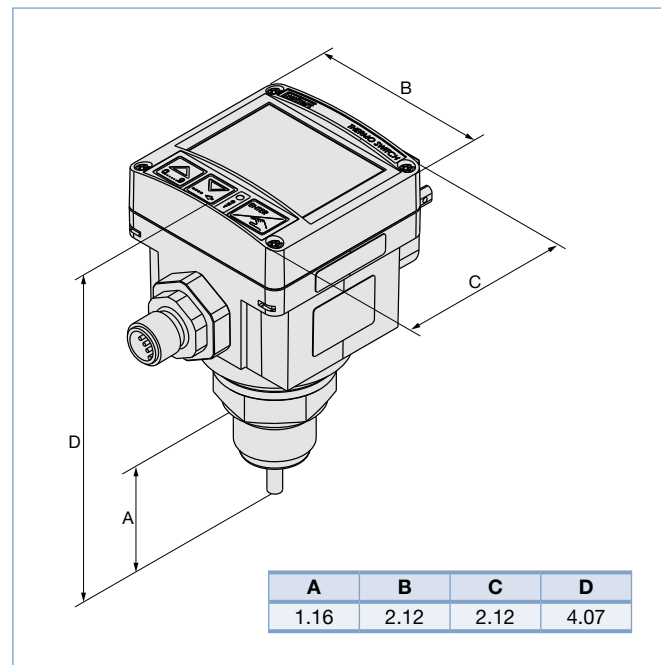


This intelligent sensor / switch with a particularly large display is designed specifically for monitoring limit values or an on/off or continuous control loop. The switching points can be programmed directly via buttons on the display or optionally externally by a PLC via a 4-20 mA standard signal input. In addition, the process value can be transmitted via a 4-20 mA signal to the PLC.

Technical Data

| | |
|---|---|
| Measuring range (ambient 32 °F to 104 °F) | -40 °F to 257 °F |
| Switching accuracy | ±.09 °F (0 to 176 °F) |
| Switching activity | ±2.7 °F |
| Repeatability | 0.40% |
| Housing material, cover | PC+20% glass fiber |
| Sensor element | Pt100 |
| Wetted parts (NPT seal) | 316L stainless steel, FKM |
| Ambient temperature range | 0 °F to 140 °F |
| Ingress protection | IP65 |
| Voltage supply | 12-30 VDC |
| Protection | Reversed polarity of DC protected |
| Current consumption max. | 80 mA (no Load) |
| Max. cable length | 328.1' shielded |
| Electrical connections | Cable plug Multipin 5 pin, M12 |
| Output | Transistor output NPN and PNP open collector 5-30 VDC, 700 mA |

Envelope Dimensions [inch] (see datasheet for details)



Option

- 8400: Outputs : Relay 3 A/250 or 3 A/30V DC

Ordering Chart

| 8400 Sensor/Switch for sensor connection NPT 1/2" | *Item no. |
|--|-----------|
| NPN and PNP, free positionable 5-pin M12 | 98108577 |
| Transmitter Version with 4-20 mA output and relay with 8-pin M12 and cable plug EN175301-803 | 98108573 |
| Relay version, free positionable 5-pin M12 and cable plug EN175301-803 | 98108576 |

*Includes electrical plug or moulded cable

Accessories

| ON/OFF Temperature Control System 8400 | Item no. |
|---|----------|
| 5-pin M12 female connector with moulded on cable (2 m long, shielded) | 438 680 |
| 5-pin M12 female cable connector with plastic threaded locking ring | 917 116 |