

Motor Truck Scale Electronic Conversion Kit

Rice Lake Weighing Systems



Complete Kit Includes:

- One JB8SP NEMA Type 4X signal-trim junction box with individual and section trimming capability (six- and eight-mount kits) or one JB4SP NEMA Type 4X signal-trim junction box (four-mount kits)
- One UJB3T6 DC transient protector
- Four, six or eight Translink mounting assemblies with RL75040 or RL75223 load cells
- 100 ft of hostile environment EL147HE SURVIVOR® load cell cable

Picture is a representation of actual product.

Full electronic performance can be achieved at a fraction of the cost of a new scale and pit. The Motor Truck Scale (MTS) Electronic conversion kit is designed to transform an existing scale pit and weighbridge into a fully electronic vehicle scale. Designed for quick installation without removing the platform or reconfiguring the pit, the conversion kit can often be installed in a matter of days, minimizing downtime. This ease of installation is important when considering installations where it is not feasible to completely remove the existing scale.

Standard Features:

- Cost and time efficient installation; no need to remove weighbridge
- Converts existing scale capacities of 40,000-300,000lb (18,143.7-90,718.7kg)
- Four, six or eight-mount kits for two, three or four-section conversions
- Translink™ heavy-capacity mounting assemblies
- Free movement in all directions in the horizontal plane with virtually no friction
- Completely self-centering
- Requires no check rods
- Capacity per mount: 25,000-100,000lb (11,339.8-45,359.4 kg)
- Utilizes cells with 3 mV/V output

Optional Features

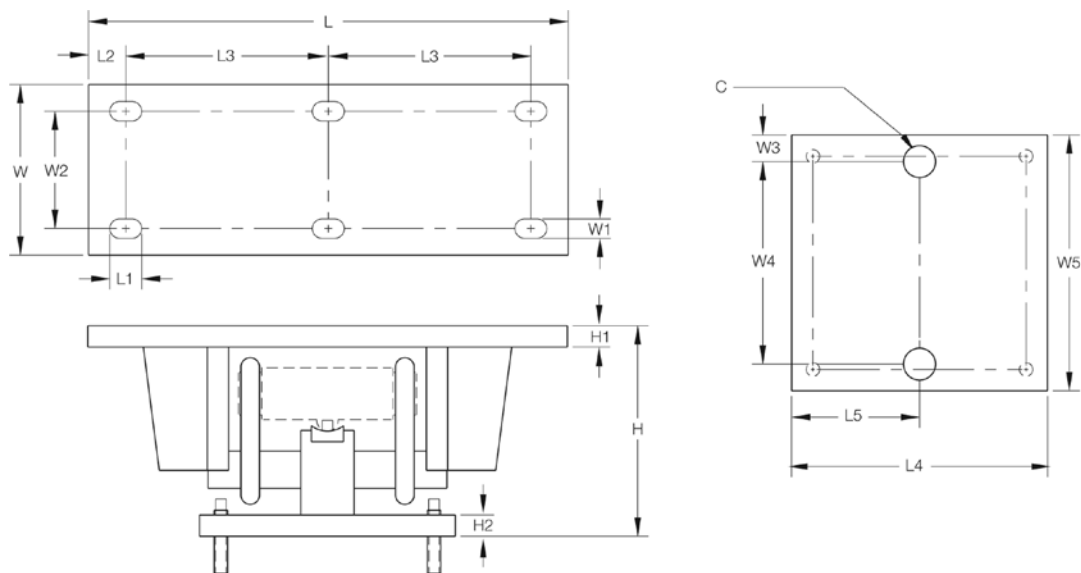
- Custom heights available; consult
- RLWS RL75223 welded-seal, VPG® Sensortronics 65040A or RTI 5223 load cells

Applications

- Updating existing mechanical motor truck scales
- Replacing unsatisfactory electronic motor truck scales
- Conversion of heavy-capacity scales into fully electronic vehicle scales where the existing scale cannot be removed

Motor Truck Scale Electronic Conversion Kit

Rice Lake Weighing Systems



Dimensions

Rated Capacity	C	H*	H1	H2	L	L1	L2	L3	L4	L5	W	W1	W2	W3	W4**	W5
lb/in																
50,000-100,000 (RL75223)	1.50	12.93	1.00	1.00	22.50	1.50	1.75	9.50	11.75	5.88	7.75	0.91	5.25	1.25	9.25	11.75
25,000-40,000 (RL75040A)	1.50	9.88	1.00	1.00	18.50	1.50	1.75	7.50	11.75	5.88	7.75	0.91	5.25	1.25	9.25	11.75
50,000-75,000 (RL75040A)	1.50	12.82	1.00	1.00	22.50	1.50	1.75	9.50	11.75	5.88	7.75	0.91	5.25	1.25	9.25	11.75
kg/mm																
22,679.6-45,400.00 (RL75223)	38.1	328.4	25.4	25.4	571.5	37.5	44.5	241.3	298.5	149.4	196.9	23.1	133.4	31.8	235.0	298.45
11,339.8-18,143.7 (RL75040A)	38.1	251.0	25.4	25.4	469.9	37.5	44.5	190.5	298.5	149.4	196.9	23.1	133.4	31.8	235.0	298.45
22,679.6-34,019.4 (RL75040A)	38.1	325.6	25.4	25.4	571.5	37.5	44.5	241.3	298.5	149.4	196.9	23.1	133.4	31.8	235.0	298.45

*Custom heights available; consult

**Custom hole spacing for existing bolt patterns is available; consult

Order Information

Scale Suggested Capacity	Load Cell Capacity (Per Module)		Part #	Price	Load Cell Used In Kit	
4-Module Kit (Includes Weigh Modules Load Cells, Junction Box, and Transient Protection)						
40,000 lb	18,143.7 kg	25,000 lb	11,339.8 kg	30513	\$5,665.00	RL75040A
60,000 lb	27,215.6 kg	40,000 lb	18,143.7 kg	30514	\$6,165.00	RL75040A
6-Module Kit (Includes Weigh Modules Load Cells, Junction Box and Transient Protection)						
100,000 lb	45,359.4 kg	50,000 lb	22,679.6 kg	30515	\$9,705.00	RL75040A
120,000 lb	54,431.2 kg	60,000 lb	27,215.6 kg	30516	\$9,705.00	RL75040A
8-Module Kit (Includes Weigh Modules Load Cells, Junction Box and Transient Protection)						
120,000 lb	54,431.2 kg	60,000 lb	27,215.6 kg	30517	\$12,505.00	RL75040A
200,000 lb	90,718.7 kg	75,000 lb	34,019.4 kg	30518	\$12,505.00	RL75040A
300,000 lb	SD 136,078.1 kg	100,000 lb	45,359.4 kg	30512	\$15,230.00	RL75223

SD refers to super duty, 100,000 lb (45,359.4 kg) capacity welded-seal load cells