

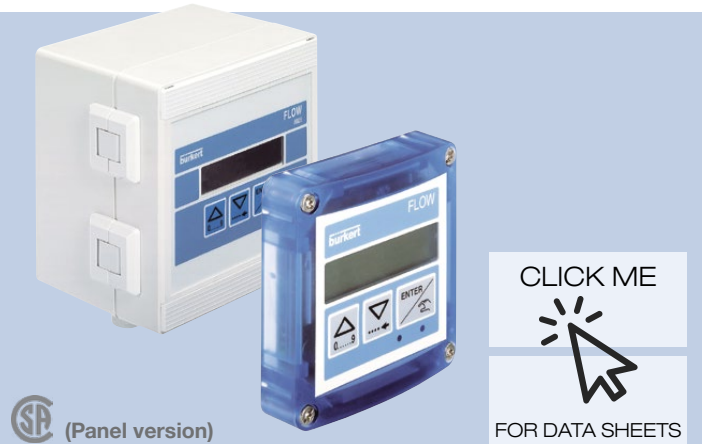
# Batch Controller for panel or wall mounting

8025 / SE35  
Batch controller

## 7 batch sizes, 2 relay outputs

- Controls 7 batches automatically
- Fast fill and fine control for accuracy
- Shows both flow rate and volume

See flow sensor 8020, 8030, 8070



The remote 8025 batch controller can be connected (with pulse output signal) with Burkert flowmeters Type 8020, 8030, 8070 or other flow sensor devices which emit a frequency signal. The 8025 is a batch controller with display, available in wall-mounted and panel versions:

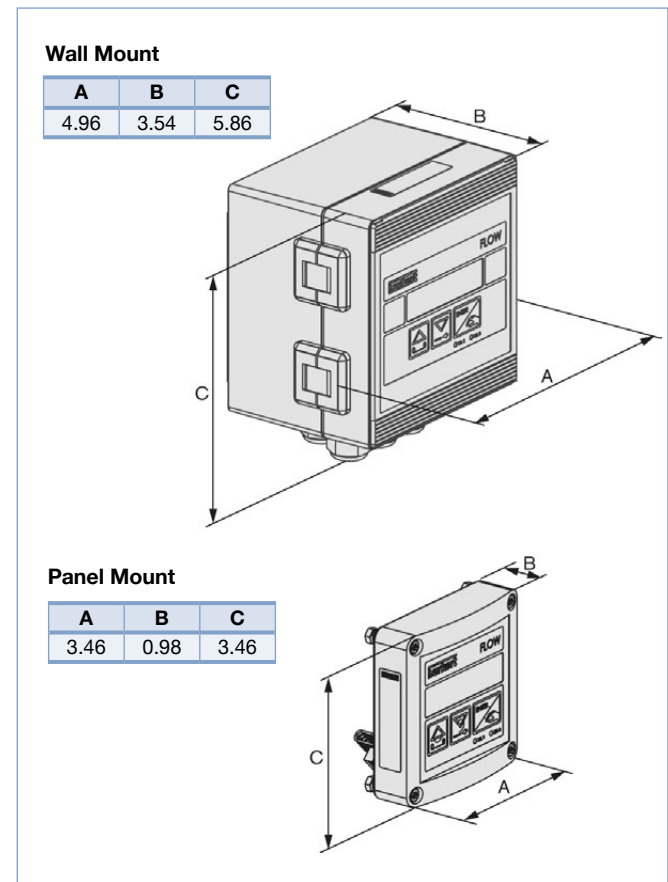
**The panel version** is made up of an electronics integrated in an open housing with display. The electrical connection is carried out on the terminal blocks of the electronics board

**The wall-mounted version** is made up of an electronics board which is integrated in a housing with a cover and display. The electrical connection is made via the terminal blocks of the electronic board via 5 cable glands.

### Technical data 8025

<b>Housing material</b>	ABS, PC* (* Panel mount version)
<b>Front panel foil</b>	Polyester
<b>Screws</b>	Stainless Steel
<b>Cable plug / gland</b>	PA
<b>Ambient temperature</b>	32 °F to 140 °F
<b>Display</b>	15 x 60mm, 8-digit LCD, alphanumeric, 15 segments, 9mm high
<b>Voltage supply</b>	12–30 VDC or 115/230 VAC, 50-60 Hz
<b>Current consumption Max.</b>	≤ 70 mA without consumption of inputs/outputs
<b>Electrical Protection</b>	Reversed polarity of DC protected
<b>Compatibility with Burkert sensors</b>	Any Burkert flow sensor with frequency output (8020, 8030, 8030HT, 8041, 8031, 8070, 8071)
<b>Compatibility with other sensors</b>	Any open collector NPN, coil, TTL, CMOS
<b>Electrical connections</b>	PG Cable glands
<b>Outputs</b>	2 relays, freely programmable, 3A, 230V
<b>Flow input frequency</b>	2.5 Hz up to 700 Hz
<b>Sensor power supply</b>	12...30, or 0...18 VDC, 100 mA Max. (24V Version); +15 V or +27V, 25 mA Max. (115V version)
<b>Ingress protection</b>	IP65

### Envelope Dimensions [mm] (see datasheet for details)



### Ordering Chart Type 8025 Remote Batch Controller

Description	Totalizers	Relays	Connection	Item no. 12-30 V DC	Item no. 115-230 V AC
Wall mount	2	2 x 3 A	5 x PG 13.5 cable gland	<a href="#">433 740</a>	<a href="#">433 741</a>
Panel mount (CSA)	2	2 x 3 A	Terminal strip	<a href="#">419 536</a>	–

### Type SE35 Compact Batch Controller Electronic (requires S030 fitting)

Description	Voltage supply	Sensor version	Certification	Electrical connection	Item no.
Transmitter - batch controller	12...36 V DC	Hall	-	2 cable glands	<a href="#">443 360</a>
		Hall	UL Recognized for US and Canada	2 cable glands	564 398
	115/230 V AC	Hall	-	2 cable glands	<a href="#">423 926</a>