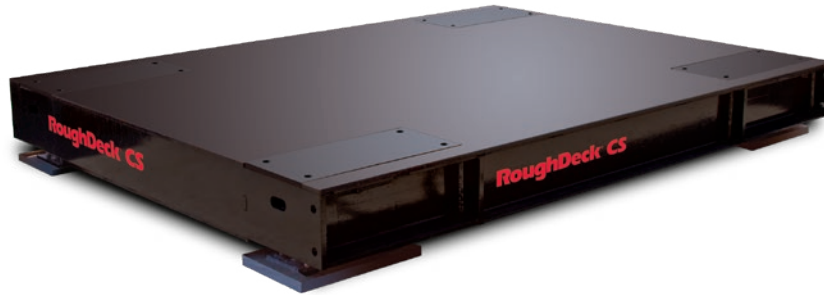


# RoughDeck® CS

Coil Floor Scale



## Specifications

### Capacities:

Scale Capacity | Load Cell and Mount Capacity  
 40,000 lb | Qty (4) 50,000 lb each  
 60,000 lb | Qty (4) 50,000 lb each  
 80,000 lb | Qty (4) 75,000 lb each

### Warranty:

RoughDeck CS weldment five years, load cells two years, all other components one year

### Approvals:

NTEP CC 11-068, Class III, 5,000 d

## Standard Features

- Capacities: 40,000 lb to 80,000 lb, consult factory for custom capacities
- Deck thickness: 1/2 in smooth top plate
- JB4SS Tuffseal® signal trim junction box
- MVS self-checking mounting system, top access to load cells
- Black epoxy paint
- 20 ft SURVIVOR® EL147HE hostile environment load cell cable
- Ships unassembled with (8) concrete anchor bolts

## APPROVALS

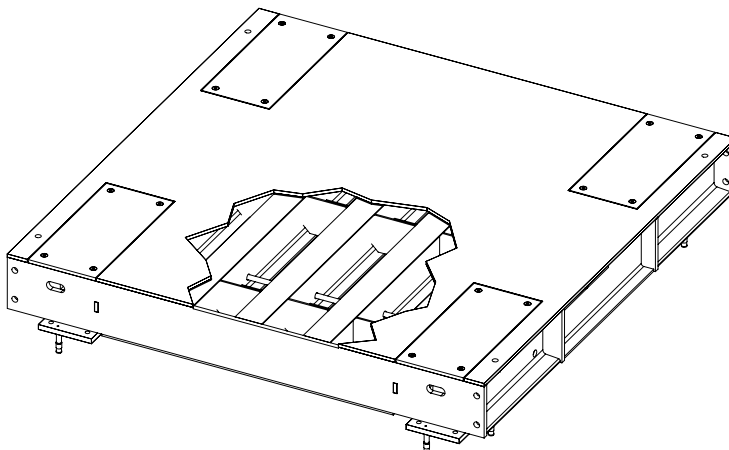


## Part Number/Price

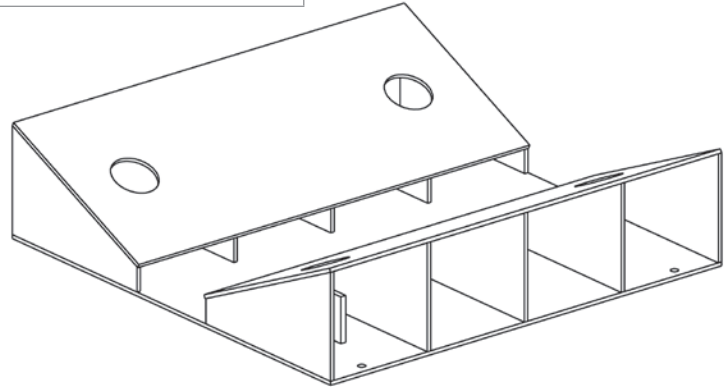
Part #	Size (W x L x H)	Capacity	Est. Weight	Price
107493	5 ft x 5 ft x 11 in	40,000 lb (20,000 kg)	1,900 lb	\$10,925.00
107494	5 ft x 5 ft x 11 in	60,000 lb (30,000 kg)	1,900 lb	\$10,925.00
107495	5 ft x 5 ft x 11 in	80,000 lb (40,000 kg)	1,900 lb	\$10,925.00
107496	6 ft x 6 ft x 11 in	40,000 lb (20,000 kg)	2,575 lb	\$12,650.00
107497	6 ft x 6 ft x 11 in	60,000 lb (30,000 kg)	2,575 lb	\$12,650.00
107498	6 ft x 6 ft x 11 in	80,000 lb (40,000 kg)	2,575 lb	\$12,650.00

## Options/Accessories

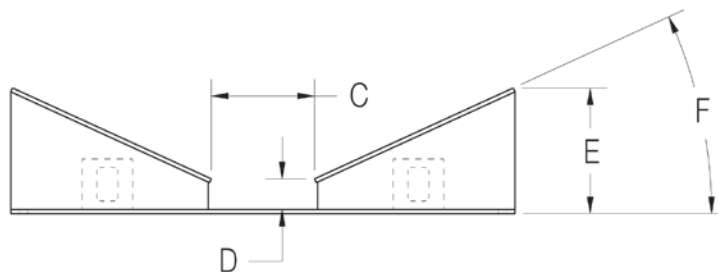
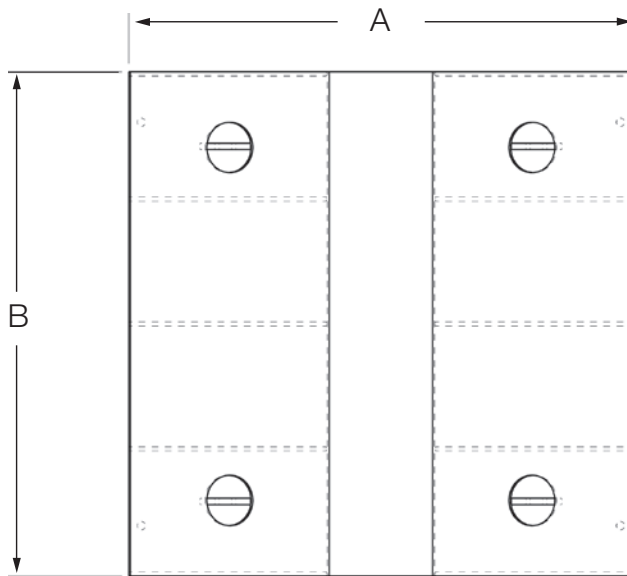
Part #	Description	Price
114678	V-Top coil cradle (5 ft x 5 ft scale)	\$2,875.00
114684	V-Top coil cradle (6 ft x 6 ft scale)	\$3,565.00
Consult	Pit coping	Consult



Dimensions			
5 ft x 5 ft V-Top Coil Cradle			
A	60 in	D	3.64 in
B	60 in	E	14.95 in
C	12.30 in	F	25°
6 ft x 6 ft V-Top Coil Cradle			
A	72 in	D	3.99 in
B	72 in	E	14.96 in
C	22.62 in	F	24°

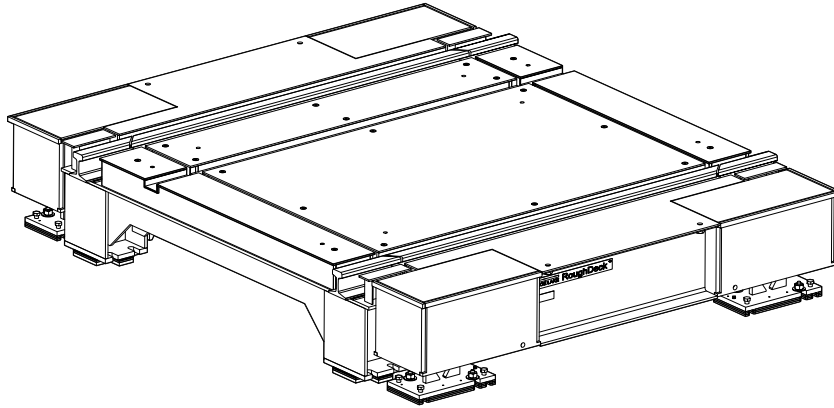


V-Top Coil Cradle



# RoughDeck® CS Rail Car Coil Scale

Top Access



Scale Capacity: \_\_\_\_\_

Rail Size: \_\_\_\_\_

Note: Rails to be welded onsite

Is this a new installation or existing:  New  Existing

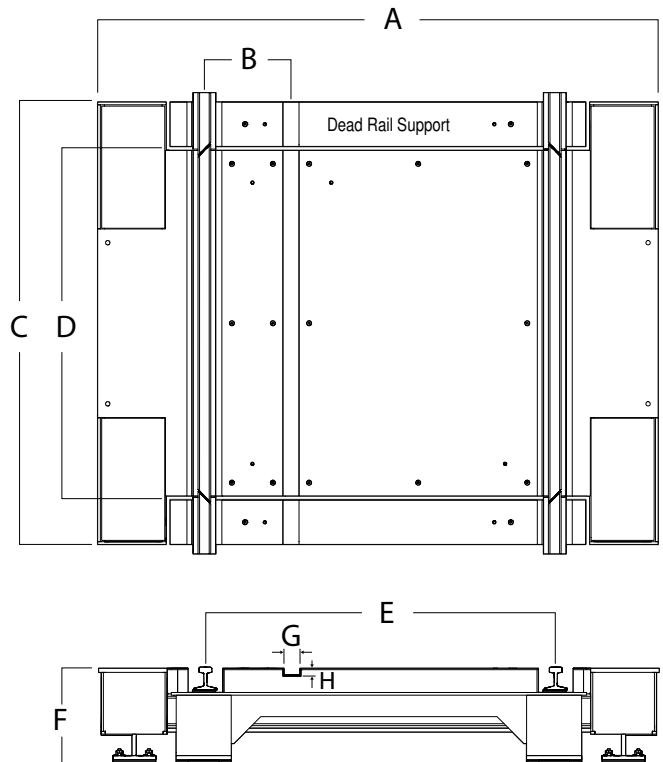
Size of Cart: \_\_\_\_\_

Size of Wheel Base: \_\_\_\_\_

Is there a cable through required:  Yes  No

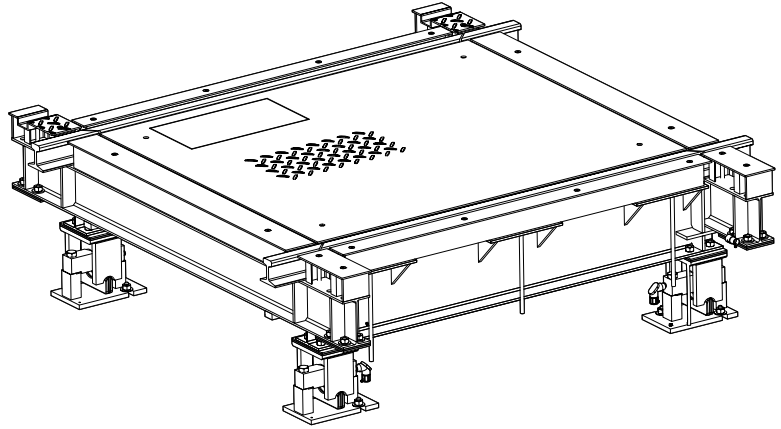
Will it be grout or shim installation:  Grout  Shim

Scale Size	
<b>A</b> (PIT WIDTH)	
<b>B</b> (RAIL TO CHANNEL ON CENTER)	
<b>C</b> (PIT OPENING)	
<b>D</b> (SCALE LENGTH)	
<b>E</b> (RAIL WIDTH ON CENTER)	
<b>F</b> (PIT DEPTH)	
<b>G</b> (CABLE CHANNEL WIDTH)	
<b>H</b> (CABLE CHANNEL DEPTH)	



# RoughDeck® CS Rail Car Coil Scale

Under Beam Mount



Scale Capacity: \_\_\_\_\_

Rail Size: \_\_\_\_\_

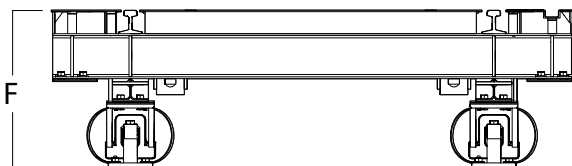
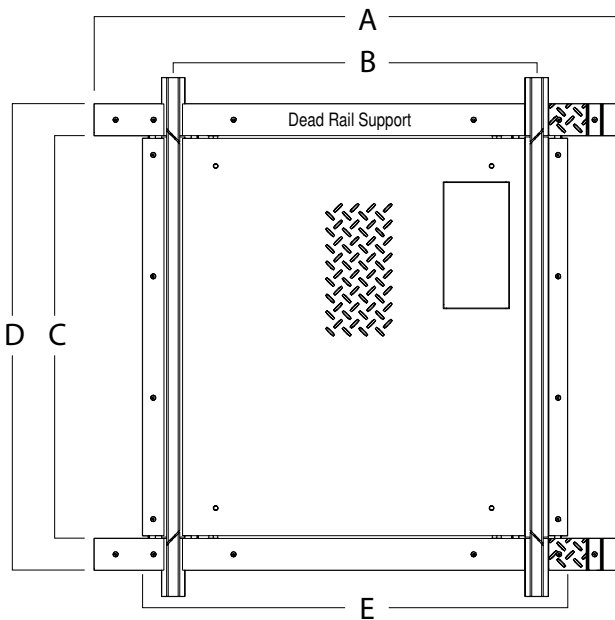
*Note: Rails to be welded onsite*

Is this a new installation or existing:  New  Existing

Size of Cart: \_\_\_\_\_

Size of Wheel Base: \_\_\_\_\_

Will it be grout or shim installation:  Grout  Shim



Scale Size	
<b>A</b> (DEAD RAIL BEAM)	
<b>B</b> (RAIL WIDTH ON CENTER)	
<b>C</b> (SCALE LENGTH)	
<b>D</b> (PIT OPENING)	
<b>E</b> (SCALE WIDTH)	
<b>F</b> (PIT DEPTH)	