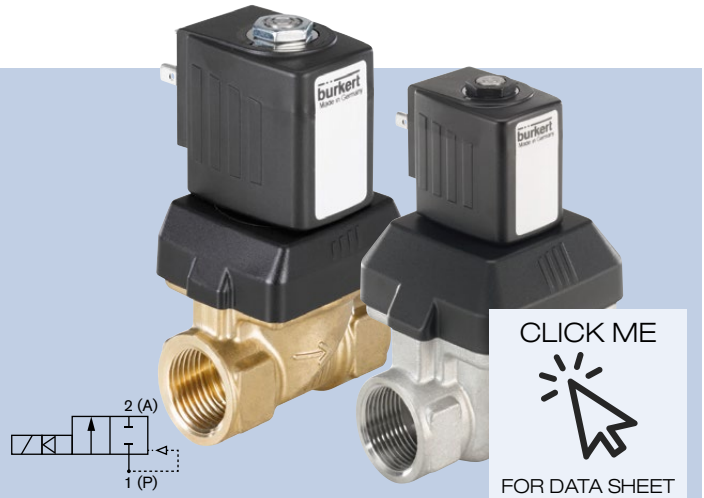


2/2-way Solenoid Valve for liquids and gases

6213 EV

- Coupled spring diaphragm system opened
- Waterhammer free and low noise
- Flow-optimized housing and diaphragm geometry for high flow



Type 6213 EV is a 2/2-way normally closed solenoid valve with a spring coupled diaphragm system. It is universally used for liquids. A minimum differential pressure of 1.5 PSI is required for full opening.

Technical Data

Orifice	Standard DN10-40 mm
Body material	Brass acc. to DIN EN 50930-6, stainless steel 1.4408 (316)
Inner part of valve	Brass body SS body
	Brass, stainless steel and PPS Stainless steel and PPS
Seal material	NBR, FKM, (EPDM on request)
Medium	NBR FKM EPDM
	Neutral fluids, water, hydraulic oil, oil without additives Per-solutions, hot oils with additives Oil and fat-free fluids and gases
Ambient temperature	131 °F (+55 °C), max.
Medium temperature	NBR FKM EPDM
	14 °F to 176 °F (-10 °C to +80 °C) 32 °F to 194 °F (0 °C to +90 °C) with polyamide coil 32 °F to 248 °F (0 °C to +120 °C) with epoxy coil -22 °F to 194 °F (-30 °C to +90 °C) with polyamide coil -22 °F to 212 °F (-30 °C to +100 °C) with epoxy coil
Voltages	24V/DC, 120/60, (24/60, 240/60 on request)
Voltage tolerance	±10%
Duty cycle	100% continuous rating
Electrical connection	Cable plug acc. to DIN EN 175301-803, Form A (included)
Protection class	IP65 with cable plug
Installation	As required, preferably with actuator upright
Response times¹⁾	0.1-4 seconds (depending on orifice and differential pressure)
Accreditations	UL Listed

¹⁾ Measured at valve outlet at 87 PSI (6 bar) and 68 °F (+20 °C)
Opening: pressure build-up 0 to 90%, Closing: pressure drop 100 to 10%



Ordering Charts

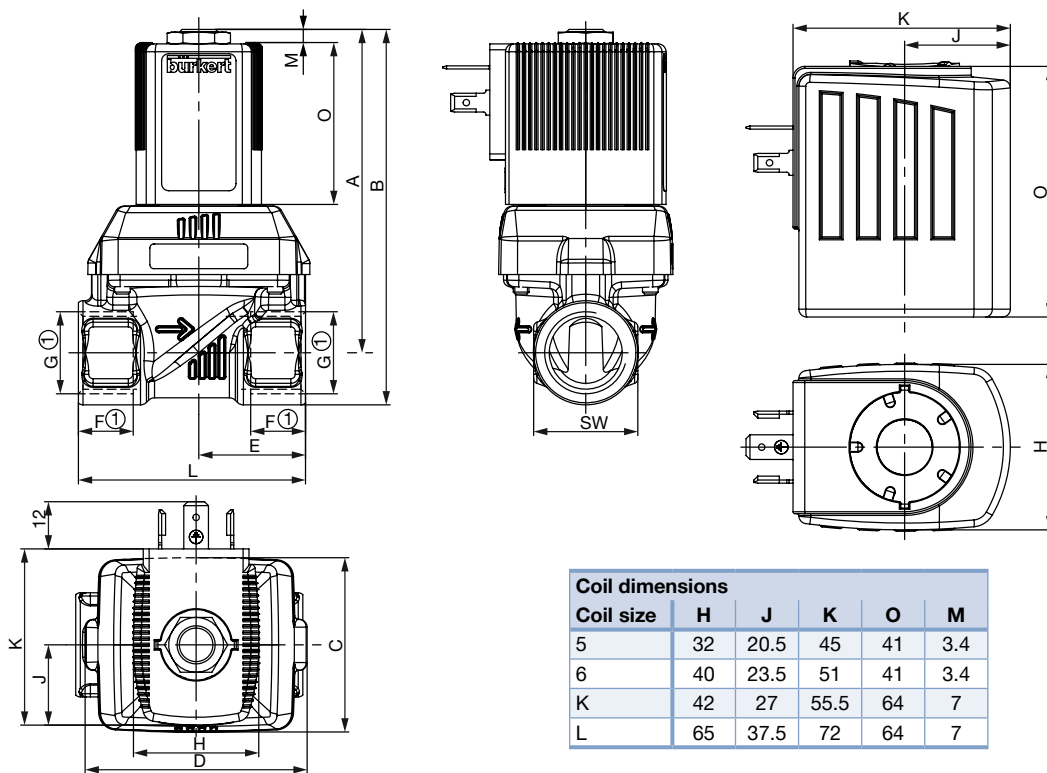
Port connection [inch]	Orifice [mm]	Cv	Pressure range [PSI]	Power consumption			Item no. Voltage/Frequency [V/Hz]	
				Inrush [VA]	Hold [VA]	Hold [W]	24 V DC	110 V/50 Hz
Brass UL Listed								
NPT 3/8	10	2.4	1.5 - 145	34	14	8	280 512	280 511
NPT 1/2	13	4.2	1.5 - 145	36	14	8	280 508	280 506
NPT 3/4	20	9.8	1.5 - 145	38	14	8	280 502	280 500
NPT 1	20	9.8	1.5 - 145	160	38	18	280 486	276 442
Stainless steel UL Listed								
NPT 1/4	10	2.4	1.5 - 145	34	14	8	280 432	280 431
NPT 3/8	10	2.4	1.5 - 145	34	14	8	280 426	280 425
NPT 1/2	13	4.2	1.5 - 145	36	14	8	280 420	280 418
NPT 3/4	20	9.8	1.5 - 145	38	14	8	280 415	280 413
NPT 1	20	9.8	1.5 - 145	38	14	8	280 411	280 409

Options

- Cables plug with LED
- Cables plug with varistor

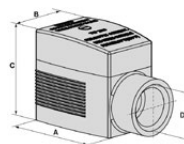
Port connection [inch]	Orifice [mm]	Cv	Pressure range [PSI]	Weight [lbs]	Item no. Voltage/Frequency [V/Hz]	
					24 V DC	120 V/60 Hz
Brass UL Recognized						
NPT 1 1/4	25	12.9	1.5 – 145	4.8	273 558	333 885
NPT 1 1/2	40	35.1	1.5 – 87	8.8	273 559	333 912
NPT 2	40	35.1	1.5 – 87	9.2	273 560	333 915
Stainless steel UL Recognized						
NPT 1 1/4	25	12.9	1.5 – 145	4.9	273 643	333 906
NPT 1 1/2	40	35.1	1.5 – 87	8.2	273 645	333 933
NPT 2	40	35.1	1.5 – 87	9.1	273 646	333 939

Dimensions [inch] (see datasheet for details)



Coil dimensions					
Coil size	H	J	K	O	M
5	32	20.5	45	41	3.4
6	40	23.5	51	41	3.4
K	42	27	55.5	64	7
L	65	37.5	72	64	7

- ① The dimensions F1 and G 1 apply to G-threads
The dimensions F2 and G 2 apply to NPT-threads
The dimensions F3 and G 3 apply to RC-threads
- ② only as brass - thread port version
- ③ only as stainless steel - thread port version



2509 plug Form A included

DN	A	B	C	D	E (MS/VA)	* NPT F2 ①	G 2 ①	L (MS/VA)	SW	coil size			
10	2.84	3.28	1.44	1.84	.88	.40	NPT 1/4	2	.88	5 and 6			
						.41	NPT 3/8						
10 ②	2.92	3.46				.52	NPT 1/2	2	1.0				
10 ③								2.2					
13 ②	3.30	3.83	1.78	2.27	1.10	.54	NPT 1/2	2.32	1.08	5 and 6			
13 ③					1.3			2.6					
13	3.38	4.02	2.6	3.06	1.3	.56	NPT 3/4	2.6	1.28				
20	3.88	4.52			37			.56			NPT 3/4	3.06	1.28
20	3.98	4.80	1.9	2.2	1.5	.67	NPT 1	3.2	1.64	5 and 6			
13 ②	4.37	4.91			1.09			.54			NPT 1/2	2.32	1.08
13 ③	4.45	5.09	2.6	3.06	1.3	.56	NPT 3/4	2.6	1.28	K and L			
13					1.4			.56			NPT 3/4	3.06	1.28
20	4.95	5.59	3.08	3.52	1.5	.67	NPT 1	3.2	1.6	K and L			
20	5.06	5.87			1.8			.67			NPT 1	3.8	1.6
25	5.73	6.53	4.18	4.7	1.8	.69	NPT 1 1/4	3.8	2	K and L			
25	5.93	6.93			2.44			.69			NPT 1 1/4	5.04	2
40 ②	6.15	7.15	4.7	4.7	2.44	.70	NPT 1 1/2	5.04	2.4	K and L			
40	6.37	7.57			2.56			.70			NPT 2	5.28	2.8
40	6.61	8.01											