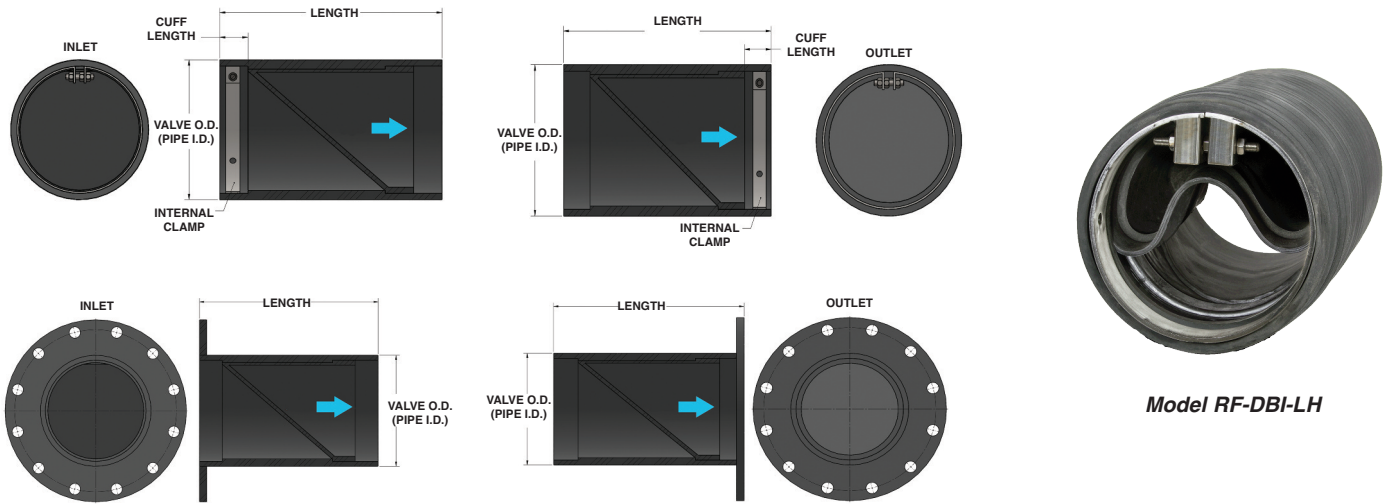




Series RF-DBI-LH

Rubber Flex Low Head Loss In-Line Duckbill Check Valve

Cla-Val Series RF-DBI-LH Low Headloss In-line Rubber-Flex™ Duckbill Check Valve design allows for a passive flow and allows the valve to be installed without having to do any modifications to existing structures or costly pre-install planning. The unique fold away design of the inner sleeve also allows for a near full port flow, allowing for quick drainage, low head loss and provides water-tight shutoff.



Dimensional Data Size inch / (mm)									
Valve OD	3" (80)	4" (100)	6" (150)	8" (200)	10" (250)	12" (300)	14" (350)	"16 (400)	18" (450)
Cuff Width	2.00 (38)	2.00 (38)	3.00 (51)	3.00 (51)	3.00 (51)	3.00 (51)	5.00 (102)	5.00 (102)	5.00 (102)
Length	8 (204)	9 (229)	12 (305)	14 (356)	16 (406)	20 (508)	26 (661)	29 (737)	31 (788)
Backpressure Feet / meter	40 (12)	40 (12)	40 (12)	40 (12)	40 (12)	40 (12)	20 (6)	20 (6)	20 (6)
Wt. Lbs. / kgs.	5 (2.27)	5 (2.27)	8 (3.63)	14 (6.36)	18 (8.17)	35 (15.88)	75 (34.02)	115 (52.17)	137 (62.15)

Dimensional Data Size inch / (mm)									
Valve OD	20 (500)	24 (600)	30 (750)	36 (900)	42 (1050)	48 (1200)	54 (1350)	60 (1500)	72 (1800)
Cuff Width	8.00 (203)	8.00 (203)	8.00 (203)	8.00 (203)	8.00 (203)	8.00 (203)	8.00 (203)	12.00 (305)	12.00 (305)
Length	43 (1093)	48 (1220)	455 (1397)	63 (1601)	71 (1804)	80 (2032)	87 (2210)	103 (2617)	127 (3226)
Backpressure Feet / meter	20 (6)	20 (6)	20 (6)	20 (6)	15 (5)	15 (5)	15 (5)	15 (5)	12 (4)
Wt. Lbs. / kgs.	210 (95.26)	300 (136.08)	476 (215.92)	785 (356.08)	1350 (612.36)	1725 (782.46)	2500 (1134.00)	3225 (1462.86)	6650 (3016.43)

Elastomer Options

- Neoprene (Barnacle And Algae Resistant)
- NSF/ANSI Standard 61, EPDM, Nitrile, Natural Rubber, CSM and Chlorobutyl

Backing Rings and Clamps

- 316 SST Backing Rings and 304 SST Clamps, standard
- Other materials available upon request

Order Information	Flow Rate (gpm)	Line Pressure	Back Pressure
Minimum			
Maximum			

