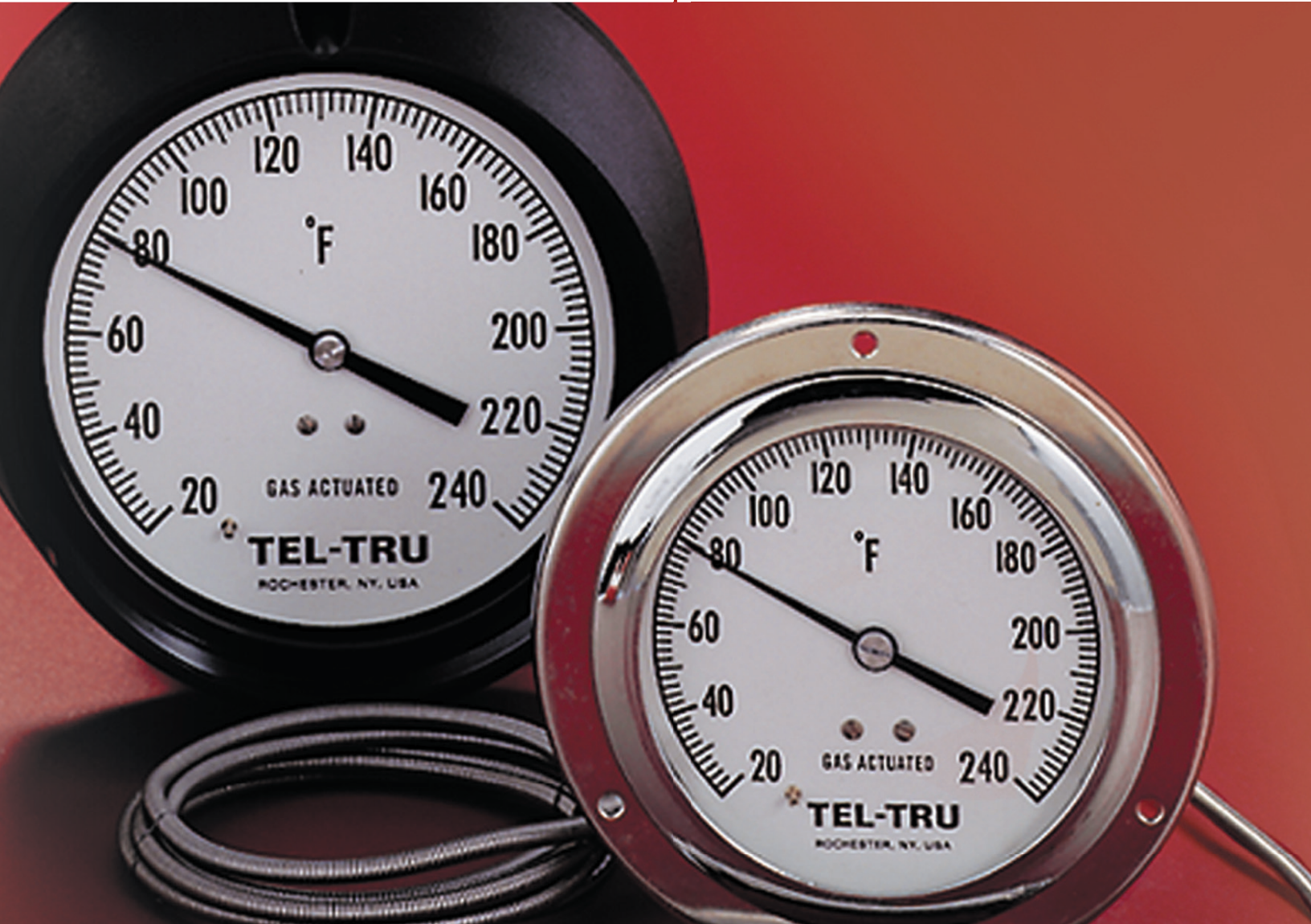




TEL-TRU Manufacturing Co.

GAS ACTUATED THERMOMETERS



www.teltru.com

Temperature + Pressure

*Since
1916*

REMOTE MOUNT GAS ACTUATED THERMOMETERS

Tel-Tru's Gas Actuated Thermometers are of a molecular sieve design utilizing inert gas and activated carbon to produce much lower internal pressures than conventional gas thermometers. As a result, they offer dependability, durability, high accuracy--low ambient error, and extreme over-range capabilities.

► REMOTE SPECIFICATIONS:

Case Size:	2-1/2", 3-1/2", 4", 4-1/2", 6", or 10"
Accuracy:	±1% of range span
Ambient error:	1/4% of span per 25°F change in temperature at mid-scale. Compensated for cross ambient temperatures
Over Range Protection:	Minimum 50% of span above top of range or 1300°F whichever is lower
Dial:	Aluminum, white, with black markings
Pointer:	Aluminum, black
Lens:	Glass
Connection:	Stainless steel (see Table 5)
Bulb:	Stainless steel (see Table 2)
Range:	(see Table 3)
Capillary:	Stainless steel (see Table 4)

► HOW TO ORDER:

From each table select the case size and mounting style, bulb style, temperature range, line length and options. Order accessories separately.

EXAMPLE:

4-1/2" polypropylene wall mount, 12" bendable extension w/1/2" NPT sliding union, 20/240°F, 5' standard armor-SS spring coil, back conn., acrylic lens.

TABLE 1 TABLE 2 TABLE 3 TABLE 4 TABLE 5 TABLE 6
RT4510T7K 1 FK 05 B D

TABLE 1 - CASE SIZE and MOUNTING STYLE

Size	Model/Case	Code	Mounting Style
2½"	RT-2510, SS	A7P	SS U-Clamp
		A7L	SS Front Flange
3½"	RT-3510, SS	E7P	U-Clamp
		E7R	Front Flange
	RT-3515, SS w/Bayonet Ring	H7K	Back Flange
		H7L	Front Flange, Semi-Flush
4"	RT-4010, SS	G7P	U-Clamp
		G7R	Front Flange
4½"	RT-4510, Polypropylene	T7K	Wall Mount
		Flush Mount - Add to T7K Option Code M (see Table 6)	
	RT-4515, SS w/Bayonet Ring	I7K	Back Flange
		I7L	Front Flange, Semi-Flush
		I7P	U-Clamp
	RT-4520, SS w/Plastic Front	D7K	Back Flange
		D7L	Front Flange
	6"	RT-6015, SS w/Bayonet Ring	N7K
N7L			Front Flange, Semi-Flush
N7P			U-Clamp
10"	RT-1015, SS w/Bayonet Ring	K7K	Back Flange
		K7P	U-Clamp

TABLE 2 - BULB STYLE

Description	Code
12" Bendable Ext. w/½" NPT Sliding Union	1
18" Bendable Ext. w/½" NPT Sliding Union	2
24" Bendable Ext. w/½" NPT Sliding Union	5
Plain Bulb w/10" Rigid Ext. and ½" NPT Union on Armor	8
Plain Bulb w/10" Rigid Ext. - No Union	3
Plain Bulb - No Extension - No Union	6
Short Bulb 1.18" active bulb w/ ½" NPT and 12" bendable ext. - max. cap. length 15'	A
Short Bulb 1.18" x ⅜" bulb with ½" NPT sliding union	M
Short Bulb - 7/16" OD x 1 1/8" insertion, ¾" NPT 316SS Thermowell (max. temp. 750°F/400°C - max. cap. length 20')	4
¼" Plain Diam. Bulb - lgth. based on temp. range & capillary lgth. (6" min.)	7
¼" Diam. x 6" Lgth. w/12" bend ext. and ½" NPT Sliding Union	0

TABLE 3 - RANGES Consult factory for other ranges

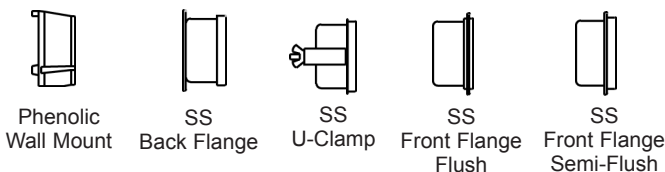
Range	Fahrenheit °F DIV	Code	Range	Celsius °C DIV	Code
-320/200	5	FA*	-200/100	5	CA*
-120/120	2	FB	-80/40	1	CB
-40/180	2	FG	-40/80	1	CG
-20/120	1	FH	-30/50	1	CH
20/160	1	FJ	-10/70	1	CJ
0/150	1	FC	-10/115	1	CD
20/240	2	FK	0/120	1	CK
50/300	2	FL	10/150	1	CL
50/400	5	FM	0/200	2	CM
50/550	5	FN	0/300	5	CN
50/750	5	FR*	0/400	5	CR*
400/1200	10	FT*	200/650	5	CT*

DUAL TEMPERATURE RANGES

Fahrenheit °F	Celsius °C	Code
-120/120	-85/50	DB
-20/120	-30/49	DH
0/120	-18/50	DD
20/240	-5/110	DK
50/550	10/290	DN
400/1200	200/650	DT*

*Requires set-up fee see next page

► MOUNTING STYLES:





Tel-Tru Manufacturing Company

408 St. Paul Street, Rochester, New York 14605 USA

Phone: 585-232-1440 • 800-232-5335 • Fax: 585-232-3857 • E-mail: info@teltru.com • Web: www.teltru.com



TABLE 4 - LINE LENGTH	
Standard Length	Code
5 ft. Standard Armor-SS Spring Coil *	05
10 ft. Standard Armor-SS Spring Coil *	10
15 ft. Standard Armor-SS Spring Coil *	15
20 ft. Standard Armor-SS Spring Coil *	20
30 ft. Standard Armor-SS Interlocking	30
40 ft. Standard Armor-SS Interlocking	40
50 ft. Standard Armor-SS Interlocking	50

* For SS Interlocking Armor, see TABLE 6, Option S

CASE SIZE	MODEL	2-1/2"		3-1/2"				4"		4-1/2"				6"		10"			
		RT2510-A7P	RT2510-A7L	RT3510-E7P	RT3510-E7R	RT3515-H7K	RT3515-H7L	RT4010-G7P	RT4010-G7R	RT4510-T7K	RT4515-I7K	RT4515-I7L	RT4515-I7P	RT4520-D7K	RT4520-D7L	RT6015-N7K	RT6015-N7L	RT6015-N7P	RT1015-K7K
TABLE 5 - CONN	CODE																		
Bottom Connection	A		X		X	X		X	X	X	X	X	X		X	X		X	
Back Connection	B	X	X	X	X	X	X	X	X	X	X	X	X	X	X	X	X	X	X
TABLE 6 - OPTIONS																			
Acrylic Lens	D	X	X	X	X	X	X	X	X	X	X	X	X	X	X	X	X	X	X
Shatterproof Glass Lens	F									X	X	X							
Tempered Glass Lens	1		X		X		X	X	X		X	X	X		X	X	X	X	X
Plain Capillary - No Armor	E	X	X	X	X	X	X	X	X	X	X	X	X	X	X	X	X	X	X
Electric Contact Switch	G									X									
Flush Mounting Ring	M									X									
Drain Hole	N	X	X	X	X	X	X			X	X	X		X	X	X			
Vibration Dampening	V	X	X	X	X	X	X			X	X	X		X	X	X			
SS Interlocking Armor (20 ft and under)	S	X	X	X	X	X	X	X	X	X	X	X	X	X	X	X	X	X	X

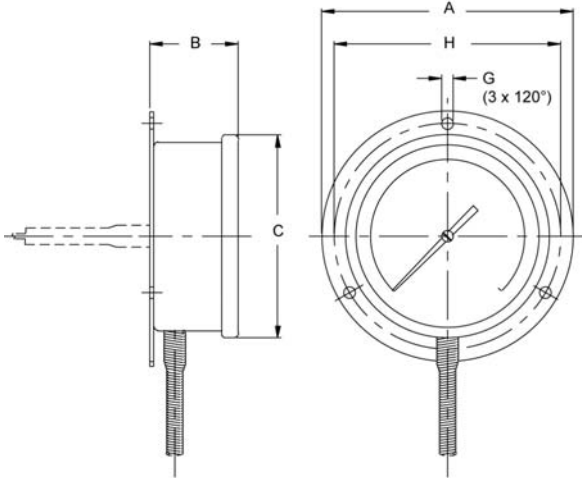
NOTE: Consult factory for other options and accessories.

*SET-UP FEES	
Description	Code
Set-up per lot, Low Range	96019902
Set-up per lot, High Range	96019903

ACCESSORIES	
Description	
• 316 Stainless Steel Tagging, Part Number 96003602	
• THERMOWELLS (See brochure and price sheet).	

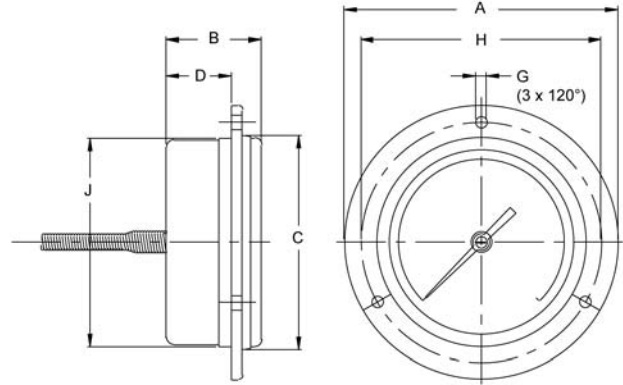
REMOTE MOUNT GAS ACTUATED DRAWINGS

➤ STAINLESS STEEL BACK FLANGE:



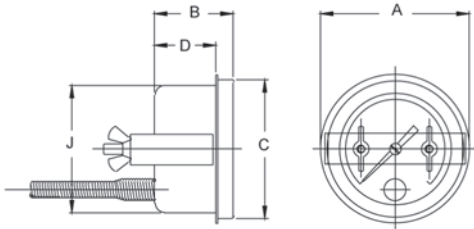
SIZE	MODEL	A	B	C	G	H
3.5"	RT3515-H7K	4.78" (121.41mm)	1.25" (31.75mm)	4.00" (101.60mm)	0.22" (5.59mm)	4.31" (109.47mm)
4.5"	RT4520-D7K	5.88" (149.35mm)	1.41" (35.81mm)	4.69" (119.13mm)	0.22" (5.59mm)	5.38" (136.65mm)
4.5"	RT4515-I7K	5.87" (149.00mm)	2.07" (52.50mm)	5.04" (128.00mm)	0.22" (5.59mm)	5.38" (136.65mm)
6.0"	RT6015-N7K	7.56" (192.00mm)	2.26" (57.50mm)	6.26" (159.00mm)	0.24" (6.00mm)	7.00" (178.00mm)
10.0"	RT1015-K7K	11.22" (285.00mm)	2.17" (55.00mm)	9.88" (251.00mm)	0.23" (5.80mm)	10.63" (270.00mm)

➤ STAINLESS STEEL FRONT FLANGE, FLUSH:



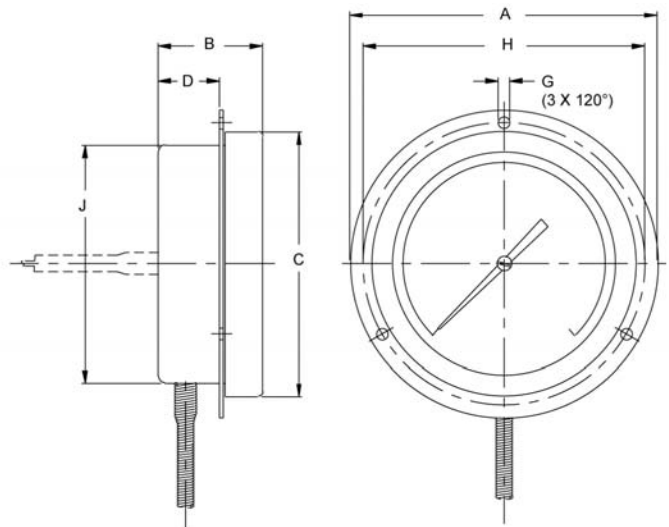
SIZE	MODEL	A	B	C	D	G	H	J
2.5"	RT2510-A7L	3.35" (85.00mm)	1.50" (38.00mm)	2.52" (64.00mm)	1.26" (32.00mm)	0.16" (4.00mm)	2.95" (75.00mm)	2.60" (66.00mm)
3.5"	RT3510-E7R	4.78" (121.41mm)	1.60" (40.50mm)	3.88" (98.50mm)	1.22" (31.00mm)	0.22" (5.59mm)	4.31" (109.47mm)	3.60" (91.50mm)
4.0"	RT4010-G7R	5.20" (132.00mm)	1.81" (46.00mm)	3.98" (101.00mm)	1.24" (31.50mm)	0.22" (5.59mm)	4.57" (116.00mm)	3.98" (101.00mm)
4.5"	RT4520-D7L	5.88" (149.35mm)	1.22" (30.99mm)	4.69" (119.13mm)	0.75" (19.05mm)	0.22" (5.59mm)	5.38" (136.6mm)	4.59" (116.59mm)
10.0"	RT1015-K7R	11.22" (285.00mm)	2.09" (53.00mm)	9.88" (251.00mm)	1.73" (43.95mm)	0.23" (5.80mm)	10.6" (270.00mm)	9.90" (251.50mm)

➤ STAINLESS STEEL U CLAMP:



SIZE	MODEL	A	B	C	D	J
2.5"	RT2510-A7P	2.83" (72.00mm)	1.50" (38.00mm)	2.60" (66.00mm)	1.26" (32.00mm)	2.52" (64.00mm)
3.5"	RT3510-E7P	Not Applicable	1.60" (40.50mm)	3.88" (98.50mm)	1.30" (33.00mm)	3.60" (91.50mm)
4.0"	RT4010-G7P	4.33" (110.00mm)	1.81" (46.00mm)	3.98" (101.00mm)	1.42" (38.00mm)	3.98" (101.00mm)
4.5"	RT4515-I7P	5.31" (135.00mm)	1.99" (50.50mm)	5.04" (128.00mm)	1.16" (29.50mm)	4.53" (115.00mm)
6.0"	RT6015-N7P	6.46" (164.00mm)	2.13" (54.00mm)	6.25" (159.00mm)	1.45" (37.00mm)	5.83" (148.20mm)
10.0"	RT1015-K7P	10.31" (262.00mm)	2.09" (53.00mm)	9.88" (251.00mm)	1.81" (45.00mm)	9.80" (249.00mm)

➤ STAINLESS STEEL FRONT FLANGE, SEMI-FLUSH:



SIZE	MODEL	A	B	C	D	G	H	J
3.5"	RT3515-H7L	4.78" (121.41mm)	1.25" (31.75mm)	4.00" (101.60mm)	0.50" (12.70mm)	0.22" (5.59mm)	4.31" (109.47mm)	3.60" (91.44mm)
4.5"	RT4515-I7L	5.87" (149.00mm)	1.99" (50.50mm)	5.04" (128.00mm)	1.16" (29.50mm)	0.22" (5.59mm)	5.38" (136.60mm)	4.53" (115.00mm)
6.0"	RT6015-N7L	7.56" (192.00mm)	2.13" (54.00mm)	6.28" (159.00mm)	1.32" (33.50mm)	0.24" (6.00mm)	7.00" (178.00mm)	5.95" (151.20mm)

Important Note: RTXX15 models have Bayonet Rings.

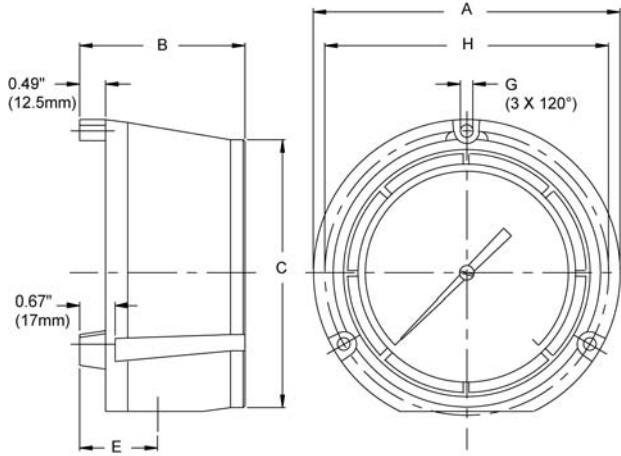


Tel-Tru Manufacturing Company

408 St. Paul Street, Rochester, New York 14605 USA

Phone: 585-232-1440 • 800-232-5335 • Fax: 585-232-3857 • E-mail: info@teltru.com • Web: www.teltru.com

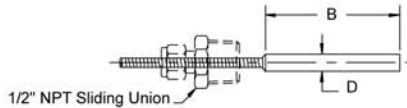
> POLYPROPYLENE WALL MOUNT:



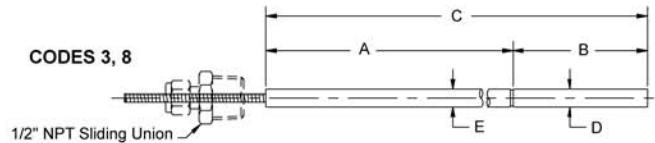
SIZE	MODEL	A	B	C	E	G	H
4.5"	RT4510-T7K	5.83" (148.00mm)	3.15" (80.00mm)	5.08" (129.00mm)	1.48" (37.50mm)	0.24" (6.10mm)	5.39" (137.00mm)

> REMOTE MOUNT BULB STYLES:

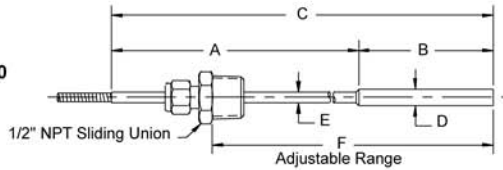
CODES 6, 7, A



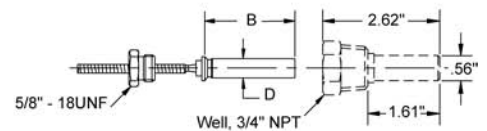
CODES 3, 8



CODES 1, 2, 5, 0



CODES 4



BULB STYLE	CODE	A	B	C	D	E	F
12" Bendable Ext. w/1/2" NPT Sliding Union	1	12" (305.00mm)	3" (76.00mm)	15" (381.00mm)	3/8" (9.50mm)	1/4" (6.50mm)	4"-14" (102-356mm)
18" Bendable Ext. w/1/2" NPT Sliding Union	2	18" (457.00mm)	3" (76.00mm)	21" (533.00mm)	3/8" (9.50mm)	1/4" (6.50mm)	4"-20" (102-508mm)
24" Bendable Ext. w/1/2" NPT Sliding Union	5	24" (610.00mm)	3" (76.00mm)	27" (686.00mm)	3/8" (9.50mm)	1/4" (6.50mm)	4"-26" (102-660mm)
Plain Bulb w/10" Rigid Ext. and 1/2" NPT Union on Armor	8	10" (254.00mm)	3" (76.00mm)	13" (330.20mm)	3/8" (9.50mm)	3/8" (9.50mm)	Capillary Length
Plain Bulb w/10" Rigid Ext. - No Union	3	10" (254.00mm)	3" (76.00mm)	13" (330.20mm)	3/8" (9.50mm)	3/8" (9.50mm)	Not Applicable
Plain Bulb - No Extension - No Union	6	Not Applicable	3" (76.00mm)	Not Applicable	3/8" (9.50mm)	Not Applicable	Not Applicable
Short Bulb 1.18" active bulb with 1/2" NPT and 12" bendable ext.	A	Not Applicable	1.18" (30.00mm)	Not Applicable	3/8" (9.50mm)	Not Applicable	Not Applicable
Short Bulb - 7/16" OD x 1 1/8" insertion, 3/4" NPT 316SS Thermowell (max. temp. 750°F/400°C - max. cap. length 20')	4	Not Applicable	2.07" (53.00mm)	Not Applicable	7/16" (11.10mm)	Not Applicable	Not Applicable
1/4" Plain Diam. Bulb - Lgth. Based On Temp. Range & Capillary Lgth. (6" min.)	7	Not Applicable	.	Not Applicable	1/4" (6.50mm)	Not Applicable	Not Applicable
1/4" Diam. x 6" Lgth. w/12" bend ext. and 1/2" NPT Sliding Union	0	12" (305.00mm)	6" (152.00mm)	18" (457.00mm)	1/4" (6.50mm)	1/4" (6.50mm)	7"-17" (178-432mm)

*Based on Range and Capillary Length (6" minimum)

DIRECT MOUNT GAS ACTUATED THERMOMETERS

Tel-Tru's Gas Actuated Thermometers are of a molecular sieve design utilizing inert gas and activated carbon to produce much lower internal pressures than conventional gas thermometers. As a result, they offer dependability, durability, high accuracy--low ambient error, and extreme over-range capabilities.

► SPECIFICATIONS:

Case Size:	4-1/2" or 6" stainless steel
Accuracy:	±1% of range span
Ambient error:	1/4% of span per 25°F change in temperature at mid-scale. Compensated for cross ambient temperatures
Over Range Protection:	Minimum 50% of span above top of range or 1300°F whichever is lower
Dial:	Aluminum, white, with black markings
Pointer:	Aluminum, black
Lens:	Glass
Connection:	Stainless steel 1/2" NPT SS compression fitting
Bulb:	Stainless steel
Range:	(see Table 2)
Stem:	(see Table 3)

NOTE: Thermowells are recommended for pressure, corrosive fluid or high velocity applications.

► HOW TO ORDER:

From each table select the model and case mounting style code, temperature range, stem length and options. Order accessories separately.

EXAMPLE:

4-1/2" stainless steel case, 50/300°F, 9" stem length, acrylic lens.

TABLE 1	TABLE 2	TABLE 3	TABLE 4
DM4525V7S	FL	09	D

TABLE 1 CASE SIZE

DM4525-V7S	=	4 1/2" Case
DM6025-S7S	=	6" Case

TABLE 2 - RANGES

Fahrenheit °F			Celsius °C		
Range	°DIV	Code	Range	°DIV	Code
-320/200	5	FA*	-200/100	5	CA*
-120/120	2	FB	-80/40	1	CB
-40/180	2	FG	-40/80	1	CG
-20/120	1	FH	-30/50	1	CH
20/160	1	FJ	-10/70	1	CJ
0/150	1	FC	-10/115	1	CD
20/240	2	FK	0/120	1	CK
50/300	2	FL	10/150	1	CL
50/400	5	FM	0/200	2	CM
50/550	5	FN	0/300	5	CN
50/750	5	FR*	0/400	5	CR*
400/1200	10	FT**	200/650	5	CT**
DUAL TEMPERATURE RANGES					
Fahrenheit °F		Celsius °C		Code	
-120/120		-85/50		DB	
-20/120		-30/49		DH	
0/120		-18/50		DD	
20/240		-5/110		DK	
50/550		10/290		DN	
400/1200		200/650		DT**	

TABLE 3 STEM AND BULB LENGTH

Stem Length	Bulb Length	Code
4.00" (101.60mm)	2.50" (63.5mm)	04
6.00" (152.40mm)	3.00" (76.20mm)	06
9.00" (225.60mm)	3.00" (76.20mm)	09
12.00" (304.80mm)	3.00" (76.20mm)	12
15.00" (381.00mm)	3.00" (76.20mm)	15

TABLE 4 - OPTIONS

Description	Code	4½"	6"
Acrylic Lens	D	X	X
Shatterproof Glass Lens	F	X	N/A
Drain Hole	N	X	X
Vibration Dampening	V	X	X

NOTE: Consult factory for other options and accessories.

***SET-UP FEES**

Description	Code
Set-up per lot, Low Range	96019902
Set-up per lot, High Range	96019903

ACCESSORIES

Description
• 316 Stainless Steel Tagging, Part Number 96003602
• THERMOWELLS (See brochure and price sheet).

* Model DM-4525 and DM-6025 minimum stem length 9"

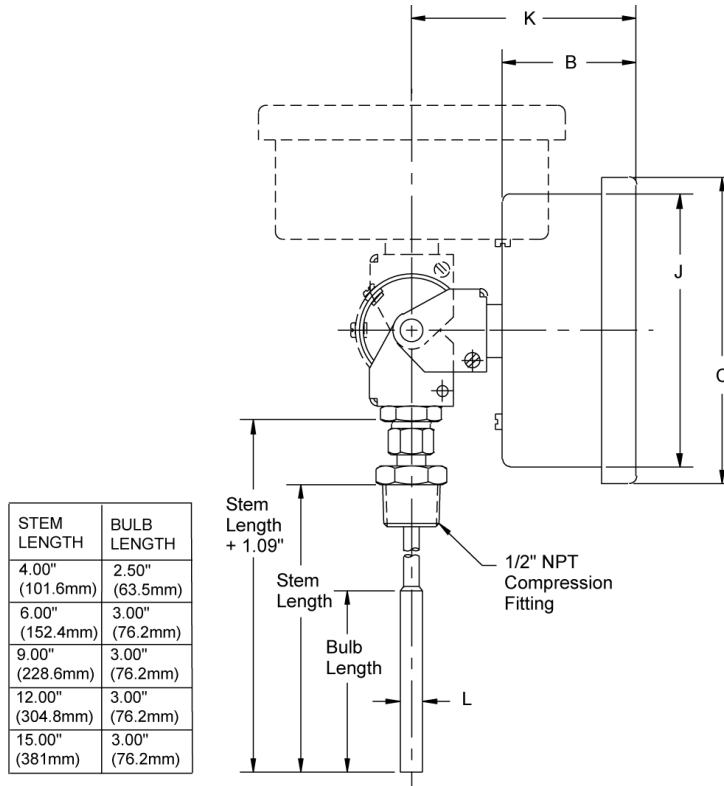
** Requires set-up fee



Tel-Tru Manufacturing Company

408 St. Paul Street, Rochester, New York 14605 USA

Phone: 585-232-1440 • 800-232-5335 • Fax: 585-232-3857 • E-mail: info@teltru.com • Web: www.teltru.com

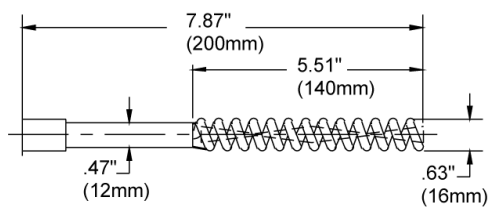
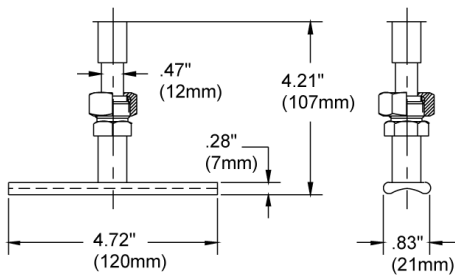


STEM LENGTH	BULB LENGTH
4.00" (101.6mm)	2.50" (63.5mm)
6.00" (152.4mm)	3.00" (76.2mm)
9.00" (228.6mm)	3.00" (76.2mm)
12.00" (304.8mm)	3.00" (76.2mm)
15.00" (381mm)	3.00" (76.2mm)

SIZE	MODEL	B	C	J	K	L
4.5"	DM4525-V7S	2.21" (56mm)	5.06" (129mm)	4.52" (115mm)	3.69" (94mm)	.375" (9.5mm)
6.0"	DM6025-S7S	2.00" (51mm)	6.31" (160mm)	5.90" (150mm)	3.49" (89mm)	.375" (9.5mm)

➤ **SURFACE BULB - ADJUSTABLE TYPE**

➤ **HELICAL AIR BULB**





ADDITIONAL PRODUCTS AVAILABLE FROM TEL-TRU

Bimetal Thermometers

Industrial and Sanitary RTDs

Temperature Transmitters

Digi-Tel™ Thermometers

Vapor Tension Thermometers

Thermowells

**Check-Set® Thermometer
Calibrators**

Tel-Fast Infrared Thermometers

Surface Thermometers

Pressure Transmitters

Pressure Gauges

HVAC Instruments

