

Positive Displacement Sensor Fitting for continuous flow measurement

S077

DN15 - DN100

- INLINE Quarter-Turn technology
- Electronics available for indication, monitoring, transmitting, On/Off control and batch control



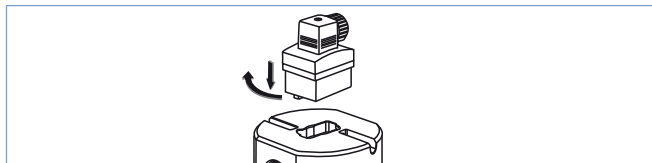
This positive displacement sensor fitting is specially designed for flow measurement and/or batch control of highly viscous fluids like glue, honey or oil. This measuring element must be associated to a transmitter SE30, SE32, SE35, SE36 with hall sensor principle only, quickly and easily connected together by a Quarter-Turn. The design of this fitting is based on the oval rotor principle. This has proven to be a reliable and highly accurate volumetric method of measuring flow. Exceptional repeatability and high accuracy over a wide range of viscosities and flow rates are features of that design. The low pressure drop and high pressure rating make it suitable for both gravity and pump (inline) applications.

Technical Data

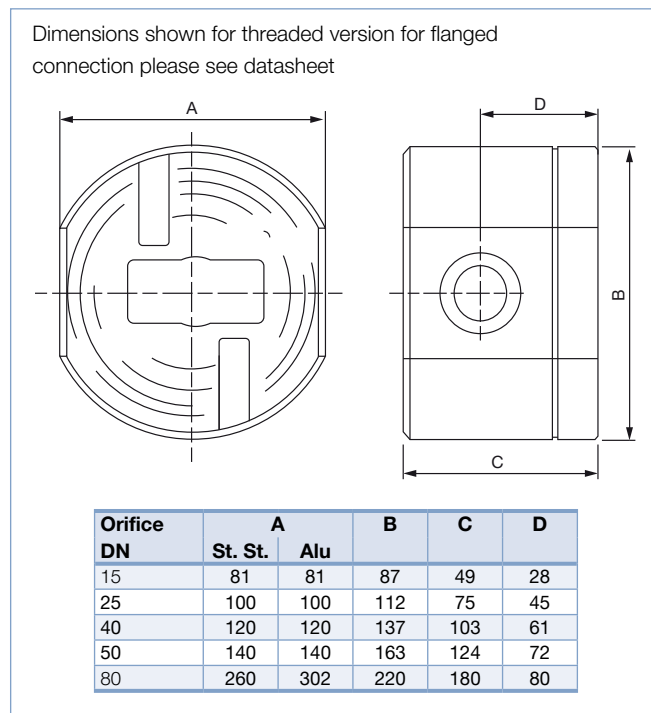
General data	
Compatibility	With transmitter SE30, SE32, SE35, SE36 with Hall sensor principle (see separate data sheet)
Wetted parts materials	
Body	Aluminium, stainless steel 316L (1.4401)
Rotor	PPS, aluminium, stainless steel 316L (1.4401)
Shaft	Stainless steel 316L (1.4401)
Seal	FKM or FEP/PTFE encapsulated
Complete device data	
Pipe diameter	DN15 - DN100
Thread connection	½"; 1"; 1½"; 2"; 3" (NPT)
Flange connection	1"; 1½"; 2"; 3" or 4" ANSI 150LB flange
Medium temperature max.	
Aluminium body:	-4 °F to 176 °F (-20 to +80 °C)
Stainless steel body:	-4 °F to 248 °F (-20 to +120 °C)
Medium pressure max.	
DN15	798.05 PSI (threaded process connection)
DN25	798.05 PSI*
DN40 or DN50	261.18 PSI
DN80 / DN100	174.12 PSI/10 bar (145.1 PSI)
Viscosity	1 Pa.s max. (higher on request)
Repeatability	± 0.03 % of Reading
Environment	
Ambient temperature	32 °F to 140 °F (0 °C to +60 °C) (operation and storage)

* or in accordance to the value of the used flanges

Burkert Quarter-turn Technology



Dimensions [mm]



Ordering Chart

DN	Connection	Body material	Seal	Item no.
15	NPT ½"	Al	FKM	567 225
		SS	FEP/PTFE	567 226
25	NPT 1"	Al	FKM	567 229
		SS	FEP/PTFE	567 230
	1" ANSI 150 LB flange	Al	FKM	567 233
		SS	FEP/PTFE	567 234
40	NPT 1½"	Al	FKM	567 237
		SS	FEP/PTFE	567 238
	1½" ANSI 150 LB flange	Al	FKM	567 241
		SS	FEP/PTFE	567 242
50	NPT 2"	Al	FKM	567 244
		Al	FKM	567 247
	2" ANSI 150 LB flange	Al	FKM	567 248
		SS	FEP/PTFE	567 248
80	NPT 3"	Al	FKM	567 250
		Al	FKM	567 252
	4" ANSI 150 LB flange	Al	FKM	567 254