

# INLINE Flowmeter for continuous flow measurement

SE30 / 8030

## For use with fitting S030, 1/2" to 2"

- Turn and lock bayonet fitting isolates sensor from media
- Economic integration in pipe systems
- 3-wire frequency version for direct connection to PLC (PNP and NPN)
- Connection to Burkert remote electronics



Please see fitting S030

CLICK ME



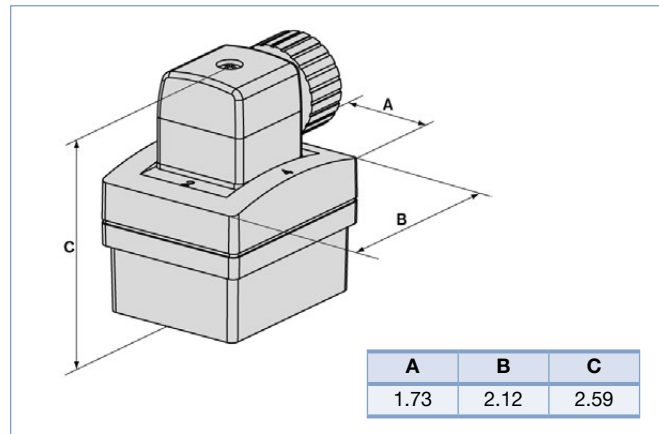
FOR DATA SHEET

Unique bayonet style flow meter constructed from an SE30 sensor and an S030 flow fitting. Perfect for neutral, solid free liquids. A hall-effect sensor produces a square wave frequency proportional to the flow rate.

### Technical Data

<b>SE30 Housing material</b>	Polycarbonate
<b>Ambient temperature</b>	5 °F to 140 °F
<b>Voltage supply / Current</b>	12-36 VDC ≤ 30 mA
<b>Max. cable length</b>	164' shielded
<b>Electrical connections</b>	Cable plug
<b>Outputs</b>	Transistor PNP and NPN, Max. 100mA
<b>Protection and Approvals</b>	IP65, CE
<b>Sensor size range</b>	1/2" to 2" with bayonet fitting
<b>Measuring ranges</b>	1 to 33 fps
<b>Measuring error</b> (stand. k-factor)	≤ ±(0.5% o.FS + 2.5% o.R)
<b>Linearity, Repeatability</b>	≤ ± 0.5% o.FS (at 33fps), 0.4% o.R.
<b>Fitting materials</b>	Brass, Stainless* (NPT), PVC (ASTM Union)
<b>Sensor materials</b>	PVDF paddle wheel with ceramic bearings
<b>O-rings</b>	FKM
<b>Max. fluid temperature</b>	212 °F (Metallic), 122 °F (PVC)
<b>Max. fluid pressure</b>	232 PSI (metal), 145 PSI (PVC)

### Envelope Dimensions [inch] (see datasheet for details)



### Options

- High temperature version to 275 °F
- Hygienic clamp and ASME weld end connections
- ANSI flange connection
- PVDF and PP fittings.
- High flow fittings (8020) to DN350 mm
- Various sealing materials
- Individual calibration certificate

### Ordering Chart

Description	Item no.
SE30 Hall Effect	423 913
SE30 Low Power Hall Effect (only for use with Type 8022 xmtr or remote 8025 electronics)	423 914

**Note:** The electronic module, SE30 and the fitting, S030 must be ordered separately