

Radar Level Transmitter for Liquids

8137 / 8138

NPT thread or flange connection

- For filling level measurement up to 33 ft.
- High pressure version
- Two-wire version
- Adjustable via display and buttons as well as PC-Tool with DTM



Type 8137



Type 8138

CLICK ME



FOR DATA SHEETS

Radar level transmitter for aggressive media and high pressure. A sleek, compact stainless steel design incorporates a 2-wire HART transmitter which is easily PC configurable.

Technical Data

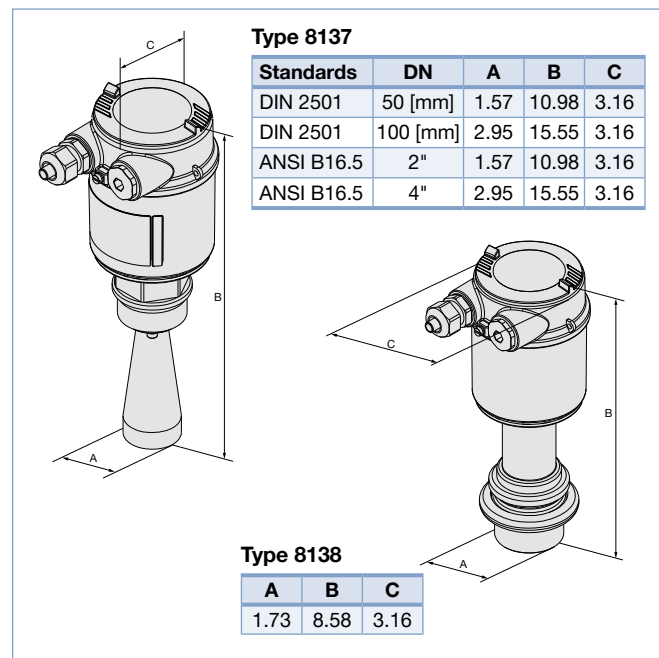
Housing / Cover	PBT, Stainless steel 316L / PC
Seal ring / Ground terminal	NBR / Stainless steel 316Ti/316L (1.4571/1.4435)
Seal	Klingspil C-4400 (8137), EPDM (8138)
Antenna / cone	Stainless steel 316L (8137), Advanced PTFE-PTFE (8138) / PTFE (Advanced PTFE 1600 PTFE) (8137)
Seal (antenna system)	FKM
Display	LCD in full dot matrix
Ambient temperature	-40 °F to 176 °F
Voltage supply	2-wire, 14 to 36 V DC
Current consumption Max.	22 mA
Electrical connections	Cable glands M20 x 1.5
Outputs	4-20 mA/HART
Output Load Max.	See datasheet
Dead zone	2"
Measuring range (40mm antenna)	2" to 30'
Accuracy	± 3 mm
Min. Dielectric	$\epsilon_r > 1.6$
Temperature coefficient	0.03%/10K
Ingress protection	IP66, IP67, NEMA4X
Approvals	CSA, CE, Optional EEx ia IIC T6

Ordering Chart

Area of application	Process connection	Electrical connection	Item no.
8137			
Standard	NPT 1 1/2"	M20 cable gland	560 159
	Flange 2" ANSI B16.5	M20 cable gland	560 163
8138			
Standard	Clamp 2"	M20 cable gland	560 169

Note: Display/programmer (559279) not included, must be ordered separately (see accessories)

Envelope Dimensions [inch] (see datasheet for details)



Option

- Other hygienic fittings
- 98 ft. max with 75 mm antenna

Accessories

Description	Item no.
Set with 2 M20 x 1.5 / NPT 1/2" -Reductions + 2 Neoprene gaskets for cable gland M20 x 1.5 + 2 sealing plugs	551 782
HART-USB Modem	560 177
Set with a display/configuration module, a transparent cover and a seal ring	559 279
Set with a transparent cover and a sealing ring	561 006