

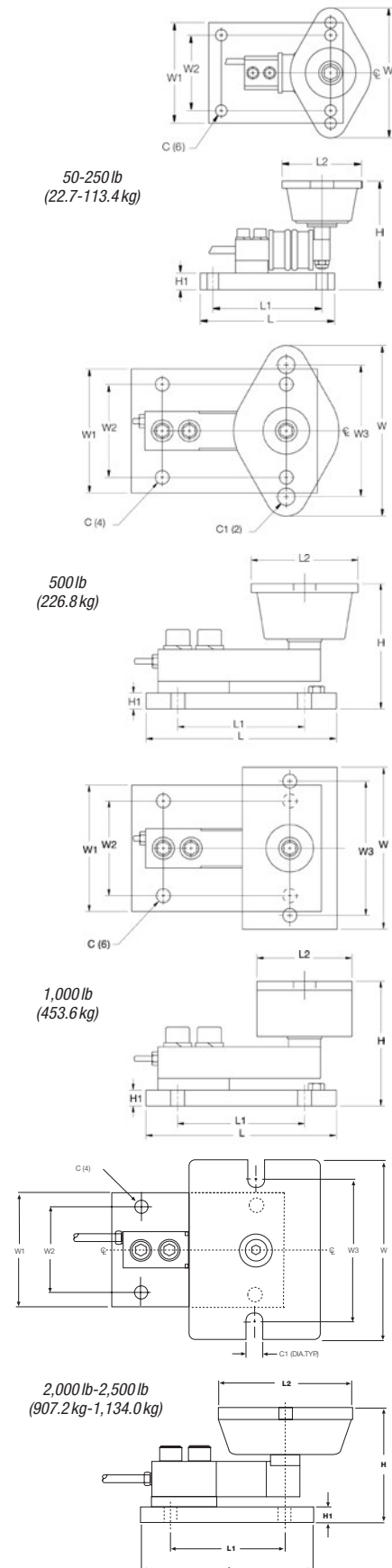
Dimensions

Rated Capacity	C	C1	H	H1	L	L1	L2	W	W1	W2	W3
lb/in											
50-250	0.34	—	3.13	0.50	4.00	3.25	2.38	3.88	3.00	2.25	—
500	0.44	0.56	3.88	0.50	6.00	4.00	3.38	5.50	4.00	3.00	4.13
1,000	0.44	—	4.00	0.50	6.00	4.00	3.00	5.13	4.00	3.00	4.13
2,000-2,500	0.44	0.56	4.00	0.50	6.00	4.00	4.62	6.25	4.00	3.00	5.00
kg/mm											
22.7-113.4	8.6	—	79.5	12.7	101.6	82.6	60.5	98.6	76.2	57.2	—
226.8	11.2	14.2	98.6	12.7	152.4	101.6	85.9	139.7	101.6	76.2	104.9
453.6	11.2	—	101.6	12.7	152.4	101.6	76.2	130.3	101.6	76.2	104.9
907.2-1,134.0	11.2	14.2	101.6	12.7	152.4	101.6	117.3	158.8	101.6	76.2	127.0

Order Information

Load Rating (Per Module)*	Part#	Price
Mild Steel Single Module (Includes Load Cell)		
50 lb	17825	\$415.00
100 lb	17826	\$415.00
150 lb	17827	\$415.00
250 lb	17828	\$415.00
500 lb	17829	\$550.00
1,000 lb	17830	\$550.00
2,000 lb	17946	\$550.00
2,500 lb	17947	\$550.00
Mild Steel 3-Module Kit		
50 lb	18063	\$1,450.00
100 lb	18064	\$1,450.00
150 lb	18065	\$1,450.00
250 lb	18066	\$1,450.00
500 lb	18067	\$1,875.00
1,000 lb	18068	\$1,875.00
2,000 lb	30413	\$1,875.00
2,500 lb	30412	\$1,875.00
Mild Steel 4-Module Kit		
50 lb	18069	\$1,865.00
100 lb	18070	\$1,865.00
150 lb	18071	\$1,865.00
250 lb	18072	\$1,865.00
500 lb	18073	\$2,375.00
1,000 lb	18074	\$2,400.00
2,000 lb	30414	\$2,400.00
2,500 lb	30411	\$2,400.00
Stainless Steel Single Module (Includes Load Cell)		
500 lb	17950	\$640.00
1,000 lb	17951	\$640.00
2,000 lb	17952	\$640.00
2,500 lb	17953	\$640.00
Stainless Steel 3-Module Kit		
500 lb	30392	\$2,135.00
1,000 lb	30410	\$2,135.00
2,000 lb	30408	\$2,135.00
2,500 lb	30406	\$2,135.00
Stainless Steel 4-Module Kit		
500 lb	30391	\$2,795.00
1,000 lb	30409	\$2,795.00
2,000 lb	30407	\$2,795.00
2,500 lb	30405	\$2,795.00

* Load rating is per module



WEIGH MODULES

RL50219SS-TA

Mini Tank Weighing Module, Stainless Steel

*Picture is a representation of actual product.*

The RL50219SS-TA weigh module kit provides a cost-effective alternative for your customers' low-range weighing needs. A variety of features makes this kit easy to install and an exceptional choice for various indoor weighing applications where checking requirements are low. Environmentally protected load cells, neoprene isolation/compression mounts and other Rice Lake Weighing Systems components are the keys to this module's outstanding performance.

*RL50219SS-TA stainless (50 lb-250 lb)***Complete Kit Includes**

- One JB4SS NEMA Type 4X stainless steel signal trim junction box
- Three or four RL50219SS cantilever beam load cells (50-250 lb models)
- Three or four stainless steel single-ended beam load cells (500 lb models)
- Three or four neoprene isolation/compression mounts
- 25 ft of our hostile environment EL147HE SURVIVOR® load cell cable

Standard Features

- Stainless steel modules
- Lower weighing ranges from 50-500 lb (22.7-226.8 kg) per module
- Environmentally protected load cells
- Neoprene isolation/compression mounts allow for minor misalignment, thermal expansion and shock absorption
- Overload stop for 500 lb (226.8 kg) modules provides durability

Applications

- Small tanks and hoppers
- Conveyor/In-motion weighing
- Small platform scales where minor shock loading may be a problem