

## WEIGH MODULES

**Mettler Toledo™ DigiTOL® Retrofit Kit**

Stainless Steel, Rice Lake Weighing Systems/Flintec

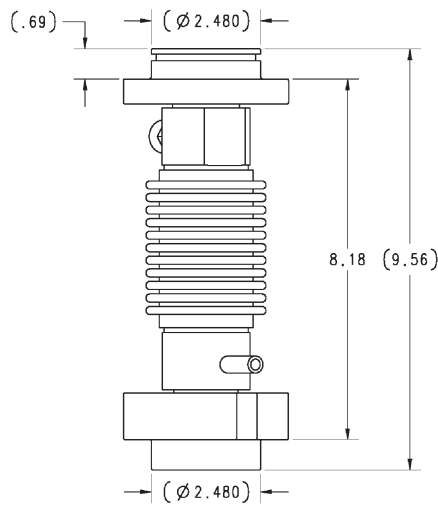
**RC1 Load Cells**

Shown here with the JB8SP signal trim junction box.  
Picture is a representation of actual product.

These kits are designed to provide a cost effective solution for replacing Toledo™ DigiTOL® digital load cells with analog load cells. The Flintec RC1 and RC3 load cells are stainless steel and hermetically sealed to provide years of trouble-free service.

**DigiTOL Retrofit Order information**

Description	Part#	Price
8 mount kit (RC1-56,000) 1 junction box	<b>78713</b>	\$8,795.00
10 mount kit (RC1-56,000) 2 junction boxes	<b>78714</b>	\$10,695.00
12 mount kit (RC1-56,000) 3 junction boxes	<b>152774</b>	\$13,195.00



RC1-250KN

**Complete Kit Includes:**

- One JB8SP or two JB8SP signal trim junction boxes (eight and 10 mount kit)
- Three EL304 signal trim boxes in 12 mount kits
- Eight, 10 or 12 Flintec RC1-250 KN load cells with upper and lower load cups
- 100 ft of hostile environment EL147HE SURVIVOR® load cell cable
- Cups included

**Standard Features:**

- Stainless steel hermetically sealed load cells
- Converts existing Mettler Toledo DigiTOL scale to an analog based load cell weighing system
- Eight, 10 or 12 load cells, cups plus junction box and home run cable
- Load cells are NTEP Certified 1:10,000 divisions, Class III\*
- Rocker design load cells
- Load cups

\*Consult your local Weights & Measures Authorities for local Legal for Trade requirements

**Applications**

- Toledo® DigiTOL® truck scale conversion

**Warranty**

- One-year limited warranty

**Load Cell Certifications**

# Mettler Toledo™ DigiTOL® Retrofit Kit

Stainless Steel, Rice Lake Weighing Systems/Flintec

## RC3 Load Cells



### Complete Kit Includes:

- 1 JB8SP or 2 JB8SP signal trim junction boxes (8 and 10 mount kit)
- 3 EL304 signal trim boxes in 12 mount kits
- 8, 10 or 12 Flintec RC3
- 100ft of hostile environment EL147HE SURVIVOR® load cell cable
- Cups included

### Standard Features

- Stainless steel hermetically sealed load cells
- Converts existing Mettler Toledo DigiTOL scale to an analog based load cell weighing system
- 8 or 10 load cells, cups plus junction box and home run cable
- Load cells are NTEP Certified 1:10,000 divisions, Class III L\*
- Rocker design load cells
- Load cups

\*Consult your local Weights & Measures Authorities for local Legal for Trade requirements

### Applications

- Toledo® DigiTOL® truck scale conversion

### Warranty

- One-year limited warranty

### Load Cell Certifications

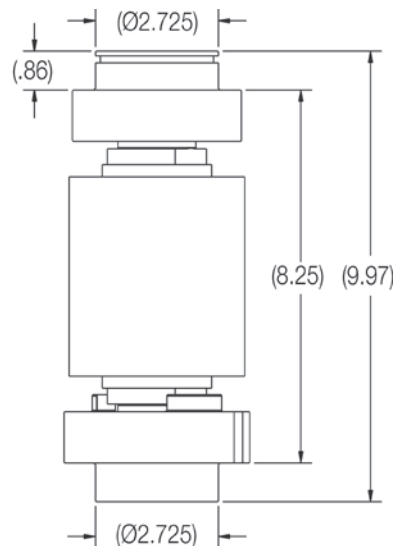


Shown here with the JB8SP signal trim junction box  
Picture is a representation of actual product

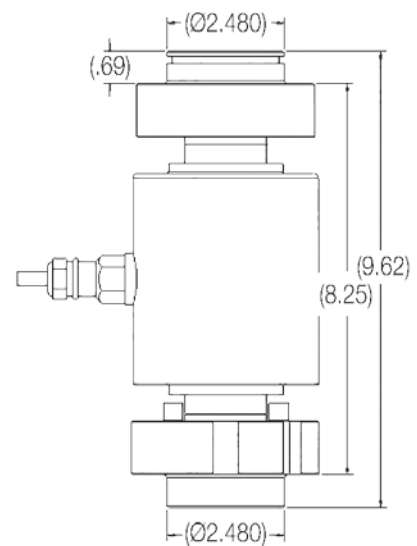
This kit is designed to provide a cost effective solution for replacing Mettler Toledo™ DigiTOL® digital load cells with analog load cells. The Flintec® RC3 load cell is stainless steel and hermetically sealed to provide years of trouble-free service.

### DigiTOL Retrofit Order information

Description	Part#	Price
8 mount kit (RC3-50T) RR/track 2 junction boxes	<b>129844</b>	\$11,995.00
8 mount (RC3-50T) truck 2 junction boxes	<b>154347</b>	\$11,995.00
10 mount kit (RC3-50T) RR/track 2 junction boxes	<b>111367</b>	\$14,795.00
10 mount kit (RC3-50T) truck 3 junction boxes	<b>154348</b>	\$14,795.00
12 mount kit (RC3-50T) truck 3 junction boxes	<b>154349</b>	\$17,185.00



RC3-50t  
RR TRACK



RC3-50t  
TRUCK