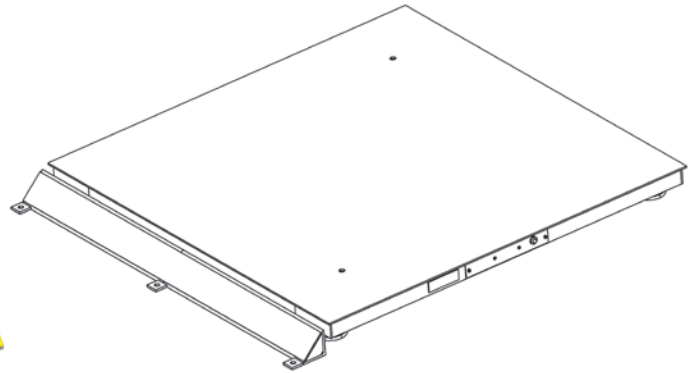
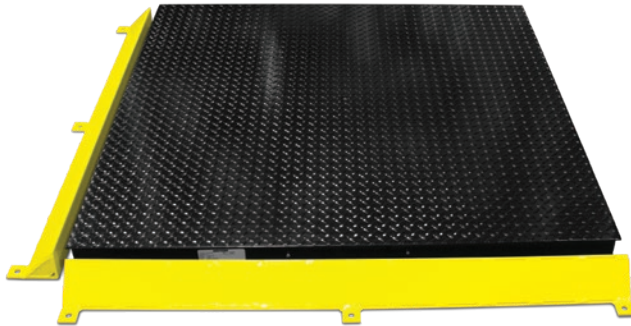


# Bumper Guards

Option A



**Anchor bolt size required:**

1/2 in dia (Not included)

**Construction:**

RoughDeck® HP and HP-H versions  
(Mild steel, painted safety yellow)  
RoughDeck SS/HE (304 stainless steel)

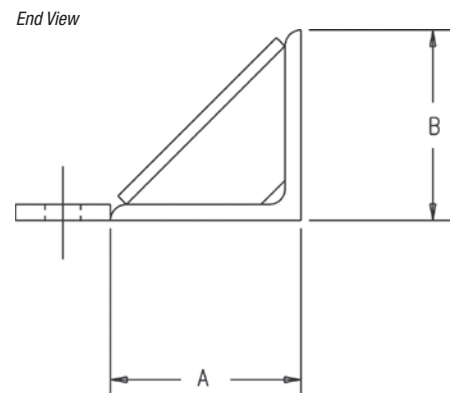
## Part Number/Price

Length	RoughDeck HP	Price Each	RoughDeck SS/HE	Price Each	RoughDeck HP-H	Price Each
2.5ft	86815	\$125.00	86824	\$215.00	86833	\$215.00
3.0ft	86816	\$150.00	86825	\$255.00	86834	\$255.00
4.0ft	86817	\$200.00	86826	\$340.00	86835	\$340.00
5.0ft	86818	\$250.00	86827	\$425.00	86836	\$425.00
6.0ft	86819	\$300.00	86828	\$510.00	86837	\$510.00
7.0ft	86820	\$350.00	86829	\$595.00	86838	\$595.00
8.0ft	86821	\$400.00	86830	\$680.00	86839	\$680.00
9.0ft	86822	\$450.00	86831	\$765.00	86840	\$765.00
10.0ft	86823	\$500.00	86832	\$850.00	86841	\$850.00

## Accessories

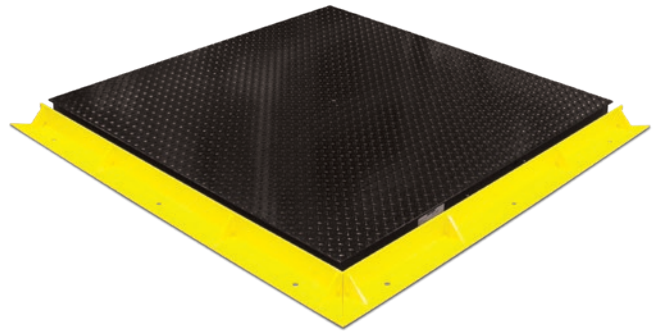
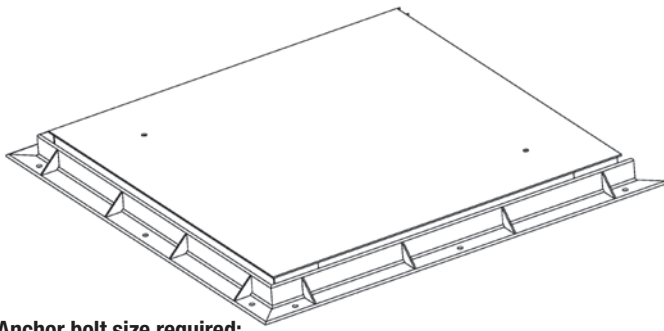
Part #	Description	Price
18777	Floor anchor plates, mild steel (set of two), RoughDeck HP	\$35.00
18778	Floor anchor plates, stainless steel (set of two), RoughDeck SS/HE	\$45.00
40387	Floor anchor plates, mild steel (set of two), RoughDeck HP-H 20,000 lb	\$48.00
40388	Floor anchor plates, mild steel (set of two), RoughDeck HP-H 30,000 lb	\$48.00

Drawing Dimensions		
Model	A	B
RoughDeck HP	3 in	3 in
RoughDeck SS/HE	3 in	3 in
RoughDeck HP-H	4 in	4 in



# Bumper Guards

Option B



**Anchor bolt size required:**  
1/2 in dia (Not Included)

**Construction:**  
RoughDeck® HP and HP-H versions  
(Mild steel, painted safety yellow)  
RoughDeck SS/HE (304 stainless steel)

*Note: If you plan to surround scale on all four sides with bumper guards, option B, please contact factory as a special bumper guard must be made to accommodate the home run cable exit.*

## Part Number/Price

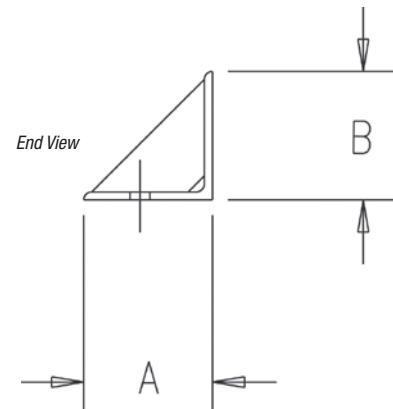
Length	RoughDeck HP	Price Each	RoughDeck SS/HE	Price Each	RoughDeck HP-H	Price Each
2.5 ft	86843	\$120.00	86852	\$175.00	86861	\$175.00
3.0 ft	86844	\$145.00	86853	\$210.00	86862	\$210.00
4.0 ft	86845	\$195.00	86854	\$280.00	86863	\$280.00
5.0 ft	86846	\$240.00	86855	\$350.00	86864	\$350.00
6.0 ft	86847	\$290.00	86856	\$420.00	86865	\$420.00
7.0 ft	86848	\$340.00	86857	\$490.00	86866	\$490.00
8.0 ft	86849	\$385.00	86858	\$560.00	86867	\$560.00
9.0 ft	86850	\$435.00	86859	\$630.00	86868	\$630.00
10.0 ft	86851	\$480.00	86860	\$700.00	86869	\$700.00

## Accessories

Part #	Description	Price
18777	Floor anchor plates, mild steel (set of two), RoughDeck HP	\$35.00
18778	Floor anchor plates, stainless steel (set of two), RoughDeck SS/HE	\$45.00
40387	Floor anchor plates, mild steel (set of two), RoughDeck HP-H 20,000 lb	\$48.00
40388	Floor anchor plates, mild steel (set of two), RoughDeck HP-H 30,000 lb	\$48.00

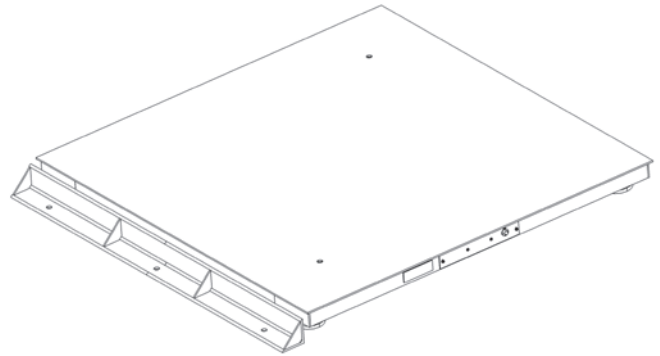
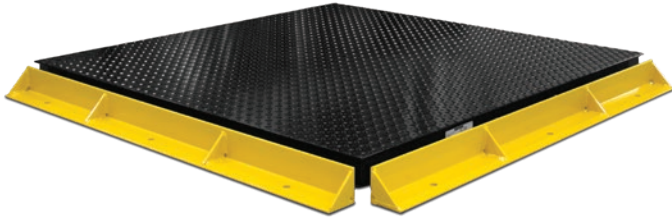
## Drawing Dimensions

Model	A	B
RoughDeck HP	3 in	3 in
RoughDeck SS/HE	3 in	3 in
RoughDeck HP-H	4 in	4 in



# Bumper Guards

Option C



**Anchor bolt size required:**  
1/2 in dia (not included)

**Construction:**  
RoughDeck® HP and HP-H versions  
(Mild steel, painted safety yellow)  
RoughDeck SS/HE  
(304 stainless steel)

## Part Number/Price

Length	RoughDeck HP	Price Each	RoughDeck SS/HE	Price Each	RoughDeck HP-H	Price Each
2.5 ft	86870	\$80.00	86879	\$180.00	86888	\$180.00
3.0 ft	86871	\$100.00	86880	\$220.00	86889	\$220.00
4.0 ft	86872	\$130.00	86881	\$295.00	86890	\$295.00
5.0 ft	86873	\$160.00	86882	\$365.00	86891	\$365.00
6.0 ft	86874	\$195.00	86883	\$440.00	86892	\$440.00
7.0 ft	86875	\$225.00	86884	\$510.00	86893	\$510.00
8.0 ft	86876	\$260.00	86885	\$590.00	86894	\$590.00
9.0 ft	86877	\$290.00	86886	\$660.00	86895	\$660.00
10.0 ft	86878	\$320.00	86887	\$730.00	86896	\$730.00

## Accessories

Part #	Description	Price
18777	Floor anchor plates, mild steel (set of two), RoughDeck HP	\$35.00
18778	Floor anchor plates, stainless steel (set of two), RoughDeck SS/HE	\$45.00
40387	Floor anchor plates, mild steel (set of two), RoughDeck HP-H 20,000 lb	\$48.00
40388	Floor anchor plates, mild steel (set of two), RoughDeck HP-H 30,000 lb	\$48.00

Drawing Dimensions		
Model	A	B
RoughDeck HP	3 in	3 in
RoughDeck SS/HE	3 in	3 in
RoughDeck HP-H	4 in	4 in

End View

