



ARCHITECTURAL RECESSED 12

Electric Heated Air Curtain

Data Sheet

For Mounting Heights To 12' (environmental separation)

STANDARD CONSTRUCTION

- 15" high x 26" deep
- ½ hp motor(s) - ten speeds
- Factory installed Intelliswitch digital controller
- White aluminum exterior panel (Optional: Custom Color or Stainless)
- Top Mounting only
- High efficiency, low noise Pro-V Nozzle
- Filter (washable)
- Patented venturi open helical element with point suspension
- Alternate kW: see sheet EP-242
- Optional: Berner AIR™ (smart controller & app), includes BACnet



Berner International certifies that the air curtains shown herein are licensed to bear the AMCA Seal. The ratings shown are based on tests and procedures performed in accordance with AMCA Publication 211 and comply with the requirements of the AMCA Certified Ratings Program. Rated data shown is for base (electric heated) units. The AMCA Certified Ratings Seal applies to airflow rate, average outlet velocity, outlet velocity uniformity, velocity projection and power rating at free delivery only.

Models ARD12-1060E, ARD12-2108E and ARD12-2120E are not licensed to bear the AMCA seal.

2 Year Limited Warranty



MODEL	Nozzle Width (in)	Max Vel. at Nozzle (fpm)	Avg. Outlet Vel. (fpm)	Air Volume (cfm)	Outlet Vel. Uniformity	Power Rating (kW)	Motor(s) @ hp	Max Electric Capacity (kW)	Heater Output (MBH)	Air Temp. Rise (°F)	Net Wt. (lbs)
ARD12-1036E	36.00	6,500	1,814	1,587	83%	0.49	1 @ 1/2	14.0	47.8	28°	105
ARD12-1042E	42.00	7,091	1,621	1,655	71%	0.53	1 @ 1/2	14.0	47.8	27°	112
ARD12-1048E	48.00	7,300	1,468	1,713	75%	0.54	1 @ 1/2	14.0	47.8	26°	118
ARD12-1060E	66.00	4,828	1,027	1,647	83%	0.52	1 @ 1/2	14.0	47.8	27°	138
ARD12-2060E	66.00	5,202	1,848	2,964	95%	0.94	2 @ 1/2	28.0	95.6	30°	179
ARD12-2072E	72.00	6,500	1,814	3,174	83%	0.98	2 @ 1/2	28.0	95.6	28°	190
ARD12-2084E	84.00	7,091	1,621	3,310	71%	1.06	2 @ 1/2	28.0	95.6	27°	202
ARD12-2096E	99.00	7,300	1,424	3,426	75%	1.08	2 @ 1/2	28.0	95.6	26°	213
ARD12-3096E	99.00	5,202	1,891	4,551	83%	1.43	3 @ 1/2	42.0	143.3	29°	257
ARD12-2108E	108.00	4,828	1,280	3,360	83%	1.06	2 @ 1/2	28.0	95.6	26°	231
ARD12-3108E	108.00	6,500	1,814	4,761	83%	1.47	3 @ 1/2	42.0	143.3	28°	285
ARD12-2120E	117.00	4,828	1,158	3,294	83%	1.04	2 @ 1/2	28.0	95.6	27°	249
ARD12-3120E	117.00	6,500	1,722	4,897	71%	1.55	3 @ 1/2	42.0	143.3	27°	297
ARD12-3132E	132.00	7,091	1,566	5,023	71%	1.60	3 @ 1/2	42.0	143.3	26°	309
ARD12-3144E	144.00	7,300	1,468	5,139	75%	1.62	3 @ 1/2	42.0	143.3	26°	320
ARD12-4144E	144.00	6,500	1,814	6,348	83%	1.96	4 @ 1/2	56.0	191.1	28°	380

NOTES:

1. Operation at 50 Hz will generate approximately a 17% reduction in air performance.
2. Single Point Power Connection – consult factory

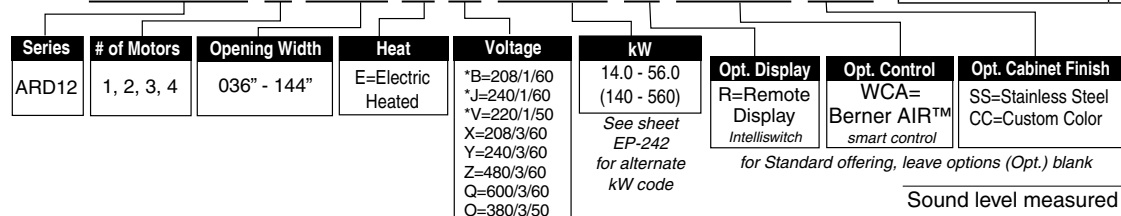
Berner does not recommend ARD12-1060E, ARD12-2108E and ARD12-2120E, exists only as an equivalent to competitors' models.

See sheet EP-242 for amp draws/total load requirements and alternate kW.

VELOCITY PROJECTION: Model ARD12-1036E					
Distance from Nozzle (in)	40	80	120	160	200
Core Velocity (fpm)	2310	1550	1190	1120	1090
Uniformity (%)	89	89	88	91	95

MODEL NUMBER CONFIGURATION

ARD12-1 036 E B-140 -R-WCA-SS



*Max 16kW
See sheet EP-242 for available lengths and voltages

for Standard offering, leave options (Opt.) blank

Sound level measured 10' (3m) from the unit in free field:
 1 motor: Min./Max. Speed: 59/62 dBA
 2 motors: Min./Max. Speed: 62/65 dBA
 3 motors: Min./Max. Speed: 64/67 dBA
 4 motors: Min./Max. Speed: 65/68 dBA

Sound data is not AMCA certified.

Berner reserves the right to alter specifications without prior notice.



ARCHITECTURAL RECESSED 12

Electric Heated Air Curtain

Electrical Performance Sheet

MODEL	kW (code)	Temp Rise °F	208/1/60 (voltage code B) MOTOR AMP DRAW = 4.3 each			240/1/60 (voltage code J) or 220/1/50 (voltage code V) MOTOR AMP DRAW = 4.3 each			208/3/60 (voltage code X) MOTOR AMP DRAW = 4.3 each			240/3/60 (voltage code Y) MOTOR AMP DRAW = 4.3 each		
			# CKTS	AMPS PER CIRCUIT (including motor)	BREAKER RATING PER CIRCUIT	# CKTS	AMPS PER CIRCUIT (including motor)	BREAKER RATING PER CIRCUIT	# CKTS	AMPS PER CIRCUIT (including motor)	BREAKER RATING PER CIRCUIT	# CKTS	AMPS PER CIRCUIT (including motor)	BREAKER RATING PER CIRCUIT
ARD12-1036E ARD12-1042E ARD12-1048E ARD12-1060E	14 (140)	28	2	26.8/44.9	35/60	2	23.8/38.9	30/50	1	43.2	60	1	38.0	50
	10 (100)	20	2	20.3/32.0	30/40	1	46.0	60	1	32.1	45	1	28.4	40
	8 (080)	16	1	42.8	60	1	37.6	50	1	26.5	35	1	23.5	30
	6 (060)	12	1	33.1	45	1	29.3	40	1	21.0	30	1	18.7	25
ARD12-2060E ARD12-2072E ARD12-2084E ARD12-2096E ARD12-2108E ARD12-2120E	28 (280)	28	-	N/A	N/A	-	N/A	N/A	2	47.5/38.9	60/50	2	42.3/33.7	60/45
	20 (200)	20	-	N/A	N/A	-	N/A	N/A	2	36.4/27.8	45/35	2	32.7/24.1	40/35
	16 (160)	16	2	47.1/38.5	60/50	2	41.9/33.3	60/45	2	30.8/22.2	40/30	1	47.1	60
	12 (120)	12	2	37.4/28.8	50/40	2	33.6/25.0	45/35	1	41.9	60	1	37.5	50
ARD12-3096E ARD12-3108E ARD12-3120E ARD12-3132E ARD12-3144E	42 (420)	28	-	N/A	N/A	-	N/A	N/A	3	51.8/38.9/38.9	60/50/50	3	46.6/33.7/33.7	60/45/45
	30 (300)	20	-	N/A	N/A	-	N/A	N/A	3	40.7/27.8/27.8	50/35/35	2	37.0/48.1	45/60
	24 (240)	16	-	N/A	N/A	-	N/A	N/A	2	35.1/44.4	45/60	2	32.1/38.5	40/50
	18 (180)	12	-	N/A	N/A	-	N/A	N/A	2	29.6/33.3	35/45	2	27.3/28.9	35/40
ARD12-4144E	56 (560)	28	-	N/A	N/A	-	N/A	N/A	4	47.5/38.9/47.5/38.9	60/50/60/50	4	42.3/33.7/42.3/33.7	60/45/60/45
	40 (400)	20	-	N/A	N/A	-	N/A	N/A	4	36.4/27.8/36.4/27.8	45/35/45/35	3	32.7/32.7/48.1	40/40/60
	32 (320)	16	-	N/A	N/A	-	N/A	N/A	3	30.8/30.8/44.4	40/40/60	2	47.1/47.1	60/60
	24 (240)	12	-	N/A	N/A	-	N/A	N/A	2	41.9/41.9	60/60	2	37.5/37.5	50/50



ARCHITECTURAL RECESSED 12

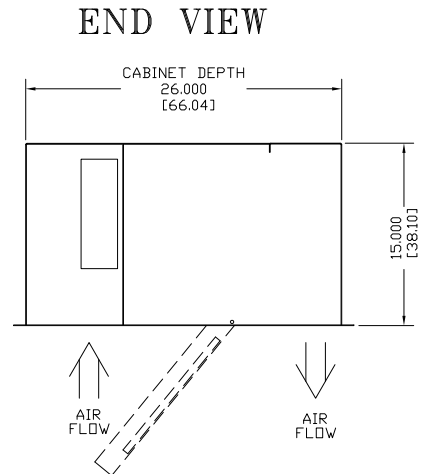
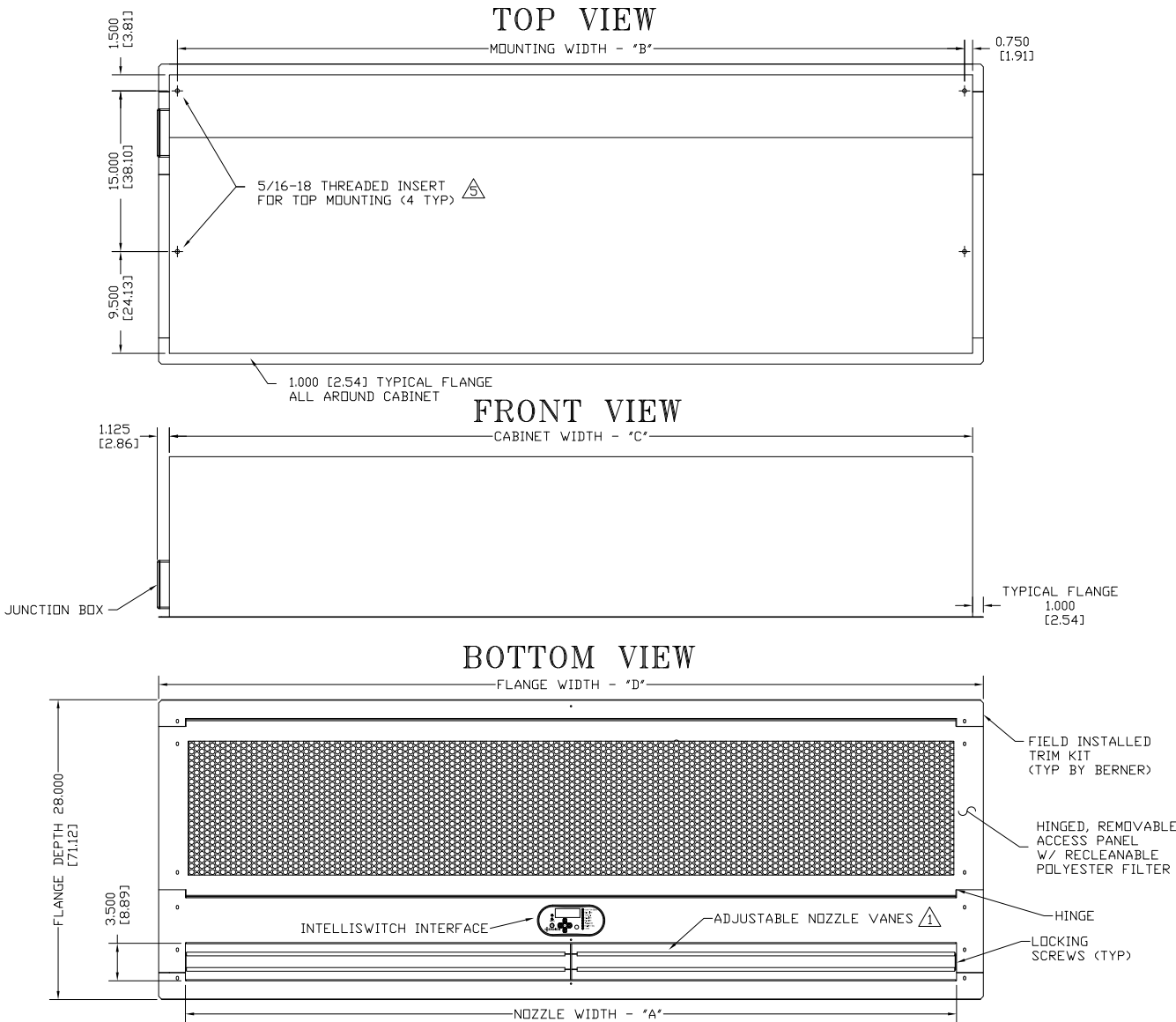
Electric Heated Air Curtain

Electrical Performance Sheet

MODEL	kW (code)	Temp Rise °F	480/3/60 (voltage code Z) MOTOR XFMR AMP DRAW = 2.1 per kva				600/3/60 (voltage code Q) MOTOR XFMR AMP DRAW = 1.7 per kva				380/3/50 (voltage code O) MOTOR AMP DRAW = 4.3 each		
			# CKTS	KVA	AMPS PER CIRCUIT	BREAKER RATING PER CIRCUIT	# CKTS	KVA	AMPS PER CIRCUIT	BREAKER RATING PER CIRCUIT	# CKTS	AMPS PER CIRCUIT (including motor)	BREAKER RATING PER CIRCUIT
ARD12-1036E ARD12-1042E ARD12-1048E ARD12-1060E	14 (140)	28	1	1	18.9	25	1	1	15.2	20	1	25.6	35
	10 (100)	20	1	1	14.1	20	1	1	11.3	15	1	19.5	25
	8 (080)	16	1	1	11.7	15	1	1	9.4	15	1	16.5	25
	6 (060)	12	1	1	9.3	15	1	1	7.5	15	1	13.4	20
ARD12-2060E ARD12-2072E ARD12-2084E ARD12-2096E ARD12-2108E ARD12-2120E	28 (280)	28	1	2	37.9	50	1	2	30.3	40	2	29.9/21.3	40/30
	20 (200)	20	1	2	28.3	40	1	2	22.6	30	1	39.0	50
	16 (160)	16	1	2	23.4	30	1	2	18.8	25	1	32.9	45
	12 (120)	12	1	2	18.6	25	1	2	14.9	20	1	26.8	35
ARD12-3096E ARD12-3108E ARD12-3120E ARD12-3132E ARD12-3144E	42 (420)	28	2	3	23.1/33.7	30/45	1	3	45.5	60	2	34.2/42.5	45/60
	30 (300)	20	1	3	42.4	60	1	3	34.0	45	2	43.3/15.2	60/20
	24 (240)	16	1	3	35.2	45	1	3	28.2	40	2	37.2/12.2	45/20
	18 (180)	12	1	3	28.0	35	1	3	22.4	30	1	40.2	50
ARD12-4144E	56 (560)	28	2	5	44.2/33.7	60/45	2	5	35.4/26.9	45/35	3	38.5/42.5/21.3	45/60/30
	40 (400)	20	2	5	34.6/24.1	45/35	1	5	47.0	60	2	47.6/30.4	60/40
	32 (320)	16	1	5	49.0	60	1	5	39.3	50	2	41.5/24.3	50/35
	24 (240)	12	1	5	39.4	50	1	5	31.6	40	2	44.5/9.1	60/15

ARD12

ARCHITECTURAL RECESSED ELECTRIC HEATED



- NOTES:**
- 1 AIR CURTAIN MUST BE INSTALLED SO AIR STREAM IS NOT OBSTRUCTED WHEN DEFLECTED 20° TO EITHER SIDE OF C.
 - 2 ELECTRICAL CONNECTIONS TO BE FLEXIBLE.
 - 3 FIELD VERIFY DIMENSIONS.
 - 4 ANCHORS TO SUPPORTING STRUCTURE BY OTHERS.
 - 5 ADEQUACY OF SUPPORTING STRUCTURE IS TO BE VERIFIED BY A PROFESSIONAL STRUCTURAL ENGINEER.
 - 6 LETTER 'E' IN MODEL NUMBER DESIGNATES ELECTRIC HEATED UNIT.
 - 7 DIMENSIONS IN INCHES [CENTIMETERS].

MODEL	NOZZLE WIDTH "A"	MOUNTING WIDTH "B"	CABINET WIDTH "C"	FLANGE WIDTH "D"	RECOMMENDED ROUGH OPENING DEPTH x WIDTH
ARD12-1036E	36.00 [91.44]	37.50 [95.25]	39.00 [99.06]	41.00 [104.14]	27.00 x 40.00 [68.58 x 101.60]
ARD12-1042E	42.00 [106.68]	43.50 [110.49]	45.00 [114.30]	47.00 [119.38]	27.00 x 46.00 [68.58 x 116.84]
ARD12-1048E	48.00 [121.92]	49.50 [125.73]	51.00 [129.54]	53.00 [134.62]	27.00 x 52.00 [68.58 x 132.08]
ARD12-1060E/2060E	66.00 [167.64]	67.50 [171.45]	69.00 [175.26]	71.00 [180.34]	27.00 x 70.00 [68.58 x 177.80]
ARD12-2072E	72.00 [182.88]	73.50 [186.69]	75.00 [190.50]	77.00 [195.58]	27.00 x 76.00 [68.58 x 193.04]
ARD12-2084E	84.00 [213.36]	85.50 [217.17]	87.00 [220.98]	89.00 [226.06]	27.00 x 88.00 [68.58 x 223.52]
ARD12-2096E/3096E	99.00 [251.46]	100.50 [255.27]	102.00 [259.08]	104.00 [264.16]	27.00 x 103.00 [68.58 x 261.62]
ARD12-2108E/3108E	108.00 [274.32]	109.50 [278.13]	111.00 [281.94]	113.00 [287.02]	27.00 x 112.00 [68.58 x 284.48]
ARD12-2120E/3120E	117.00 [297.18]	118.50 [300.99]	120.00 [304.80]	122.00 [309.88]	27.00 x 121.00 [68.58 x 307.34]
ARD12-3132E	132.00 [335.28]	133.50 [339.09]	135.00 [342.90]	137.00 [347.98]	27.00 x 136.00 [68.58 x 345.44]
ARD12-3144E/4144E	144.00 [365.76]	145.50 [369.57]	147.00 [373.38]	149.00 [378.46]	27.00 x 148.00 [68.58 x 375.92]

PROJECT		
LOCATION		
ARCHITECT		
ENGINEER		REV. -
DWG. NO.	ARD12-ELE	TITLE: BERNER
DATE	31MAR2017	MODEL ARD12 AIR CURTAIN
BY	S. Beil	ELECTRIC HEATED SYSTEM
REPLACES	-	BERNER INTERNATIONAL CORP. NEW CASTLE, PA.
BY	-	