

Dimensions

Rated Capacity	C	C1	H	H1	H2	L	L1	L2	L3	L4	T	W	W1	W2	W3
lb/in															
5,000-20,000	0.56	1.06	5.31	0.75	0.50	11.00	8.00	3.00	6.00	6.87	5/8-18 UNF	7.50	4.00	3.00	6.00
30,000-60,000	0.68	1.19	8.43	1.00	0.75	15.00	11.50	5.12	8.00	8.50	1-14 UNS	10.00	6.00	5.12	8.00
kg/mm															
2,268.0-9,071.9	14.2	26.9	134.9	19.1	12.7	279.4	203.2	76.2	152.4	174.5	5/8-18 UNF	190.5	101.6	76.2	152.4
13,607.8-27,215.5	17.3	30.2	214.1	25.4	19.1	381.0	292.1	130.0	203.2	215.9	1-14 UNS	254.0	152.4	130.1	203.2

NOTES: Mounting bolts (T) may project on lower side of base plate. Foundation plate not included

Order Information

Load Rating (Per Module)	Part #	Price	
3-Module Kit			
5,000 lb	2,268.0 kg	46695	\$5,495.00
10,000 lb	4,535.9 kg	46696	\$5,495.00
20,000 lb	9,071.9 kg	46697	\$5,495.00
30,000 lb	13,607.8 kg	46698	\$10,795.00
40,000 lb	18,143.7 kg	46699	\$10,795.00
50,000 lb	22,679.6 kg	46700	\$10,795.00
60,000 lb	27,215.5 kg	46701	\$10,795.00
4-Module Kit			
5,000 lb	2,268.0 kg	46702	\$7,395.00
10,000 lb	4,535.9 kg	46703	\$7,395.00
20,000 lb	9,071.9 kg	46704	\$7,395.00
30,000 lb	13,607.8 kg	46705	\$14,100.00
40,000 lb	18,143.7 kg	46706	\$14,100.00
50,000 lb	22,679.6 kg	46707	\$14,100.00
60,000 lb	27,215.5 kg	46708	\$14,100.00
Dummy Load Cells (Mild Steel)			
5,000 lb-20,000 lb	2,268.0 kg-9,071.9 kg	33749	\$78.00
30,000 lb-60,000 lb	13,607.8 kg-27,215.5 kg	74016	\$100.00
Grounding Kit			
5,000 lb-60,000 lb		126419	\$18.00

Includes ground strap and mounting hardware
Please contact factory for pricing and availability

Shims

	Part #	Price
5,000 lb–20,000 lb, Stainless Steel		
0.0625 in	150886	\$7.25
0.125 in	150888	\$11.50
0.250 in	150889	\$24.00
30,000 lb–60,000 lb, Stainless Steel		
0.0625 in	150890	\$12.75
0.125 in	150891	\$20.50
0.250 in	150892	\$57.00
100,000 lb–150,000 lb, Stainless Steel		
0.0625 in	150893	\$20.25
0.125 in	150894	\$32.50
0.250 in	150896	\$89.00
5,000 lb–20,000 lb, Mild Steel		
0.0625 in	150874	\$1.75
0.125 in	150876	\$3.50
0.250 in	150877	\$3.75
30,000 lb–60,000 lb, Mild Steel		
0.0625 in	150878	\$3.50
0.125 in	150880	\$6.00
0.250 in	150881	\$6.50
100,000 lb–150,000 lb, Mild Steel		
0.0625 in	150882	\$5.50
0.125 in	150884	\$9.50
0.250 in	150885	\$10.25

WEIGH MODULES

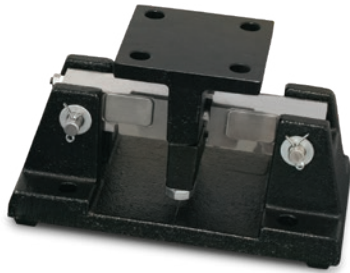
RL1600 Series

Cast Iron Weigh Modules

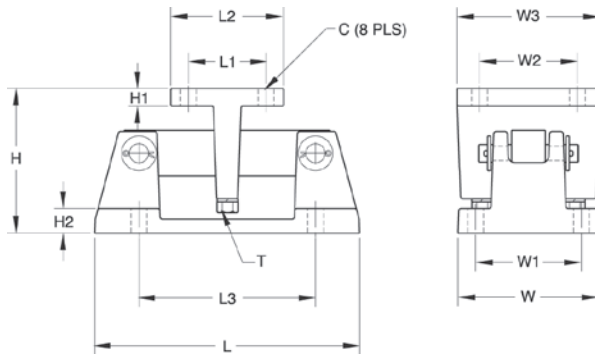


Available in configurations with three or four mounting assemblies.
Picture is a representation of actual product.

The RL1600 Series mounting module kit utilizes several Rice Lake Weighing Systems components to provide an unmatched level of performance in tank and hopper weighing applications. The RL1600 Series kit is ideally suited for indoor and outdoor process control operations in the medium- to high-capacity ranges. Each module incorporates self-checking capabilities for thermal expansion and contraction.



Cast iron module with RL75016 double-ended beam load cell.

**Dimensions**

Rated Capacity	C	H	H1	H2	L	L1	L2	L3	T	W	W1	W2	W3
lb/in													
1,000-5,000	0.56	5.00	0.50	0.50	9.31	2.75	4.00	6.25	1/2-13 UNC	5.00	3.75	2.75	4.00
10,000-25,000	0.78	7.89	0.75	0.75	12.00	6.00	8.00	7.50	3/4-10 UNC	8.00	6.00	6.00	8.00
kg/mm													
453.6-2,268.0	14.2	127.0	12.7	12.7	236.5	69.9	101.6	158.8	1/2-13 UNC	127.0	95.3	69.9	101.6
4,535.9-11,339.8	19.8	200.4	19.1	19.1	304.8	152.4	203.2	190.5	3/4-10 UNC	203.2	152.4	152.4	203.2

Complete Kit Includes:

- One JB4SS NEMA Type 4X stainless steel signal trim junction box
- Three or four RL1600 cast iron compression mounts
- Three or four RL75016 double-ended shear beam load cells
- 25 ft of our hostile environment EL147HE SURVIVOR® load cell cable

Standard Features:

- Capacities (per module): 1000-25,000 lb (453.6-11,339.8 kg)
- Cast iron construction
- Self-checking easy-to-use design allows module to be bolted directly to tank leg without requiring additional mounting plates or load buttons
- Environmentally protected load cells
- Double-ended beam design, center loaded

Optional Features

- Kits available with VPG® Sensortronics 65016 load cells, capacities (per module): 1,000 lb-25,000 lb (453.6 kg-11,339.8 kg)

Applications

- Medium- to heavy-capacity tanks, bins and hoppers
- Bulk material management