

Multi-Purpose Clamps

Heavy-Duty Tapered Clamps

Heavy-Duty, 4-prong, dual adjust tapered clamps are designed to hold large vessels with ground glass joint necks. Clamps are constructed with extension rods for easy attachment to lab-frames and other apparatus. Nickel-plated zinc construction.

NOTE: An additional holder must be purchased in order to attach clamps to frames or other apparatus.

See the Connectors & Holders section of this catalog, pages 138-140.



Size	Joint Size	Prong Width	Arm Length	Arm Dia.	Overall Length	Part Number
Small	24/40mm	16mm (0.63")	229mm (9.02")	13mm (0.51")	356mm (14")	915290
Large	34/45mm	19mm (0.75")	229mm (9.02")	13mm (0.51")	381mm (15")	915291

Stainless Steel Multi-Purpose Clamps

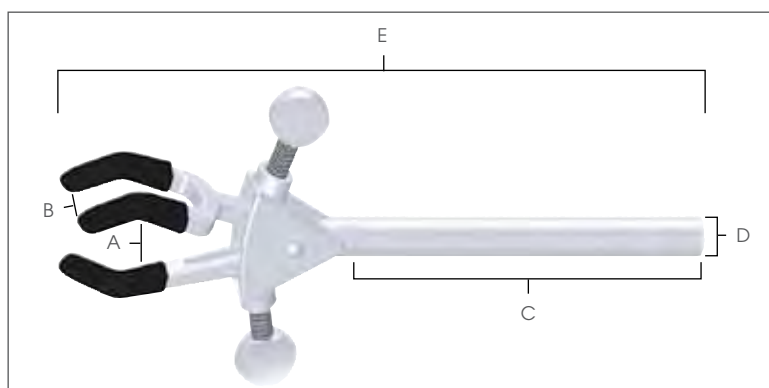
- Stainless steel, electro-polished finish
- Large dual adjustment range
- Available in three sizes; small, medium, and large

These durable, multi-purpose clamps are made entirely of stainless steel with an electro-polished finish and offer excellent chemical resistance and overall strength. The versatile 3-prong design secures various lab apparatus such as jointed glassware, columns, flasks, and tubes. Dual prong adjustments offer a wide range of motion. Long stainless steel extension arm offers easy positioning and depth adjustment. Autoclavable. Supplied with non-slip vinyl sleeves and, for temperatures above 100°C, fiberglass covers.

NOTE: An additional holder must be purchased in order to attach clamps to frames or other apparatus.

See the Connectors & Holders section of this catalog, pages 138-140.

Replacement vinyl and fiberglass sleeves are available, page 137.



3-Prong Stainless Steel Dual Adjust Clamps

Size	(A) Min. to Max Grip Size	(B) Prong Width	(C) Arm Length	(D) Arm Dia.	(E) Overall Length	Part Number
Small	0 to 48mm (0 to 1.9")	13mm (0.51")	102mm (4")	10mm (0.39")	172mm (6.77")	916352
Medium	0 to 69mm (0 to 2.72")	19mm (0.75")	127mm (5")	13mm (0.51")	229mm (9.02")	916351
Large	0 to 102mm (0 to 4")	29mm (1.14")	127mm (5")	13mm (0.51")	273mm (10.75")	916350