

680 Synergy Series

Digital Weight Indicator



Standard Features

- Bright seven-digit, seven-segment LED display
- Battery backed time and date
- Full numeric keypad
- Three serial ports: two RS-232, one full duplex RS-485
- Numeric keyed entry allowed for tare and setpoint entry
- Formattable tickets
- Ethernet TCP/IP
- USB device
- Stainless steel IP69K enclosure
- Four onboard configurable digital I/O points, TTL logic

Options

- Analog output: 16-bit resolution, 0-10VDC, 0-20 mA, 4-20 mA
- RJ45 Ethernet connector

Note: IP Rating is IP66 with RJ45 option. Rating is valid only when the cover is in place, not in-use.

Approvals



Specifications

Power:

Line voltages: 100-240 VAC
Frequency: 50-60 Hz

Power Consumption:

~2W (AC) with one 350 ohm load cell, 15W max

Excitation Voltage:

10 VDC (± 5 VDC), 8 x 350 Ω or 16 x 700 Ω load cells

Analog Signal Input Range:

-0.5 mV/V to +7 mV/V

Analog Signal Sensitivity:

1 μ V/graduation recommended

A/D Sample Rate:

6.25-120 Hz, software selectable

Resolution:

Internal: 8,000,000 counts
Display: 1,000,000

System Linearity:

Within 0.01% full scale

Digital I/O:

Four configurable I/O - 5V logic

Communication Ports:

Two RS-232 (three-wire)
RS-485/422 (five-wire)
Micro USB (device)
Ethernet TCP/IP (10/100)

Status Annunciators:

Eight LED annunciators

Display:

Seven 0.8 in tall, seven-segment digits

Keys/Buttons:

Flat membrane panel, tactile feel (18 buttons plus ON/OFF)

Temperature Range:

Legal: 14°F to 104°F (-10°C to 40°C)
Industrial: 14°F to 122°F (-10°C to 50°C)

Dimensions (W X H X D):

11.58 in x 8.57 in x 4.05 in
(30 cm x 22 cm x 10 cm)

Weight:

6.25 lb (3 kg)

Rating/Material:

Rating: IP69K
IP66 with RJ45
Material: AISI 304 Stainless Steel

Warranty:

Two-year limited warranty

EMC Immunity:

10 V/m

Approvals:

NTEP CC 19-021, Class III/IIIL, 10,000d
Measurement Canada AM-6121, Class III/IIHD,
10,000d
OIML
UL/cUL Listed
CE Marked

680 Synergy Series

Digital Weight Indicator

Part Number/Price

Part #	Description	Est. Weight	Price
115-230 VAC			
193152 †	680 Plus indicator, LED display, US power cord	7 lb	\$795.00
193153 ††	680 Plus indicator, LED display, EU power cord	7 lb	\$795.00
196326 †††	680 Plus indicator, LED display, UK power cord	7 lb	\$795.00
196327 ††††	680 Plus indicator, LED display, AUS power cord	7 lb	\$795.00
9-36 VDC			
193154	680 Plus indicator, LED display,	7 lb	\$895.00
With Analog Output Card			
195176 †	680 Plus indicator, LED display, 115-230VAC with analog output card, US power cord	7 lb	\$1,095.00
195177 ††	680 Plus indicator, LED display, 115-230VAC with analog output card, EU power cord	7 lb	\$1,095.00
196539 †††	680 Plus indicator, LED display, 115-230VAC with analog output card, UK power cord	7 lb	\$1,095.00
196538 ††††	680 Plus indicator, LED display, 115-230VAC with analog output card, AUS power cord	7 lb	\$1,095.00
With External RJ45 Connector			
200183 †	680 Plus Indicator, LED display, 115-230VAC with RJ45, US power cord	7 lb	\$945.00
200184 ††	680 Plus Indicator, LED display, 115-230VAC with RJ45, EU power cord	7 lb	\$945.00
200185 †††	680 Plus Indicator, LED display, 115-230VAC with RJ45, UK power cord	7 lb	\$945.00
200186 ††††	680 Plus Indicator, LED display, 115-230VAC with RJ45, AUS power cord	7 lb	\$945.00

IP Rating is IP66 with RJ45 option



† US plug (NA) - Type B



†† Euro Plug - Type E



††† BS1363 (UK) - Type G

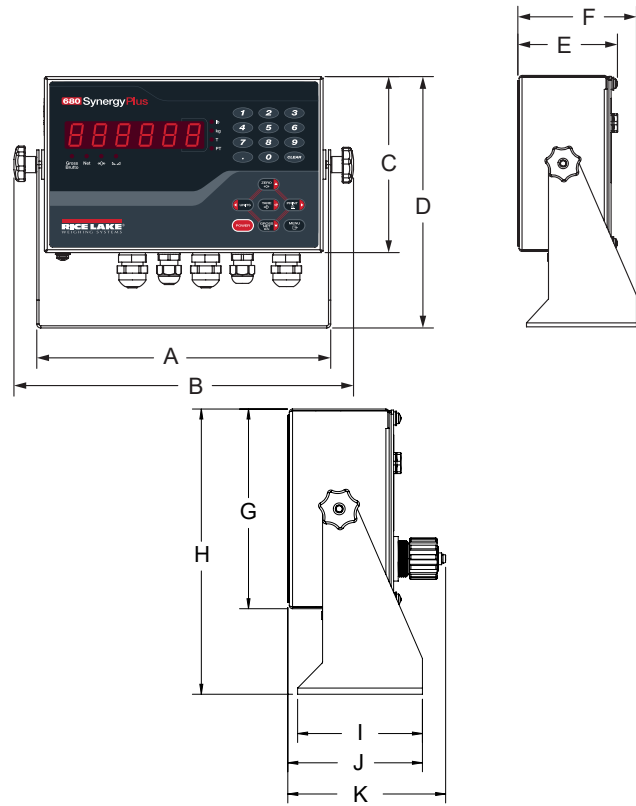


†††† AS 3112 (Australian) - Type I

Options/Accessories

Part #	Description	Price
195084	Analog output option card	\$325.00
151099	Panel mount option, gasketed non-NEMA seal	\$156.00

To have your option factory installed, please specify when placing your order.



With External RJ45 Connector

Dimensions			
A	10.02 in (254.5 mm)	G	6.00 in (152.4 mm)
B	11.58 in (294.1 mm)	H	8.57 in (217.6 mm)
C	6.00 in (152.4 mm)	I	3.80 in (96.5 mm)
D	8.57 in (217.6 mm)	J	4.05 in (102.87 mm)
E	3.40 in (86.3 mm)	K	4.74 in (120.4 mm)
F	4.05 in (102.87 mm)		