



SPECIAL APPLICATION GAUGES

Model P1522 2" Corrosion Resistant Pressure Gauges

DESCRIPTION

The Model P1522 is an all-stainless steel pressure gauge featuring Type 316L SST internal wetted components and a polished 304 SST case to withstand corrosive media and atmospheres. These gauges are ideally suited for industrial and specialty gas applications.

FEATURES

- Type 316L stainless steel wetted parts
- Pressure ranges to 6000 psi
- Standard catalog gauges have easy-to-read single scale psi dials
- Low cost
- Custom dials available in OEM quantities

APPLICATIONS

- Process industry applications requiring SST wetted parts
- Specialty gas regulators
- Specialty gas manifolds
- Specialty gas control cabinets

SPECIFICATIONS

SIZES: 2"

RANGES: 30" Hg-0 through 0-6000 psi (please reference pressure ranges on next page in *Spec Number Selection Chart*); other pressure ranges available in OEM quantities

OPERATING TEMPERATURE RANGES:

Ambient: -4°F to 140°F (-20°C to 60°C)

Media: Maximum 185°F (85°C)

ACCURACY: ±3-2-3% of span (ASME B40.1 Grade B)

Optional ±1% accuracy on low pressure, ±2% accuracy on high pressure gauges available in OEM quantities

BOURDON TUBE: 316L stainless steel

WINDOW: Twist-on style, polycarbonate

MOVEMENT: 304 stainless steel

DIAL: Galvalume, white background with black markings

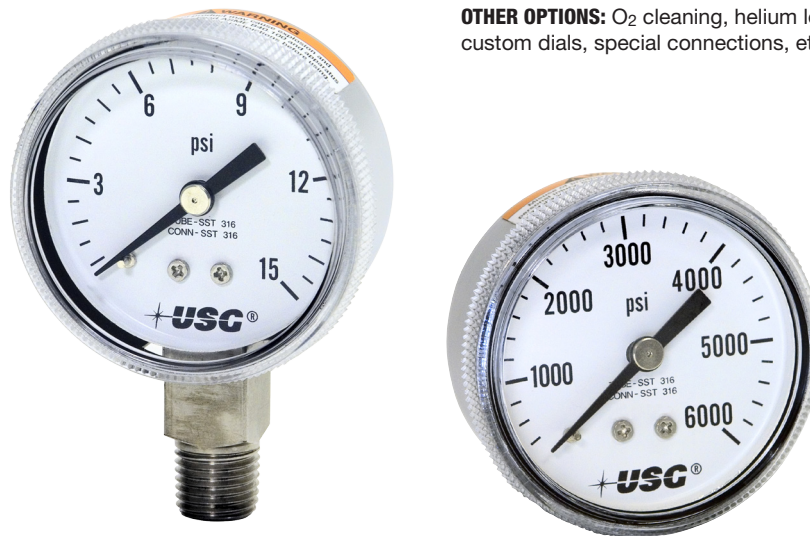
POINTER: Galvalume, black finish

CASE: 304 polished stainless steel standard; steel, chrome plated available as an OEM option

CONNECTION: 1/4-18 NPT standard, center back mount (CBM) or lower mount (LM); other connections available in OEM quantities

SCALES: Single psi scale standard on catalog part numbers; dual scales and other single scales such as bar, kPa, Kg/cm², etc. available upon request in OEM quantities.

OTHER OPTIONS: O₂ cleaning, helium leak testing, SST restrictor, custom dials, special connections, etc.



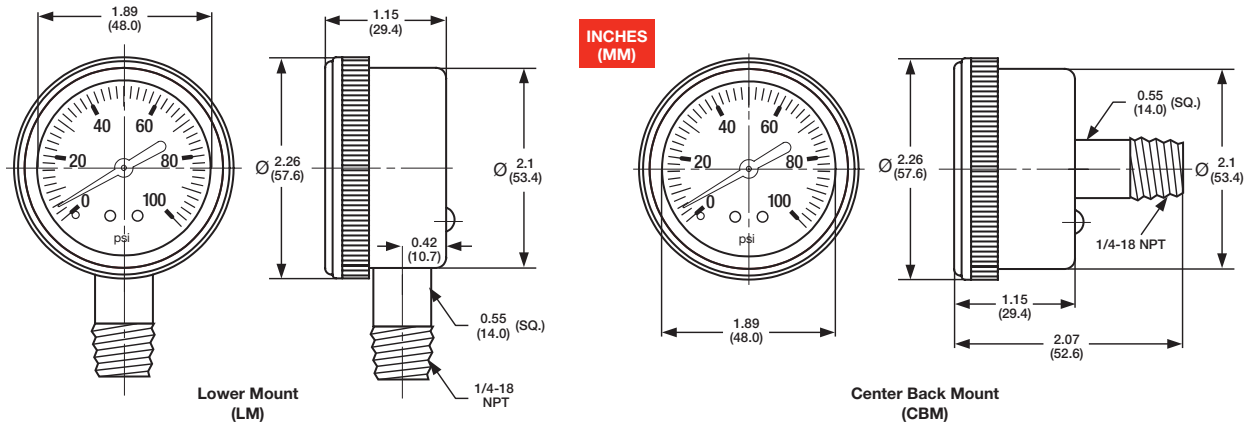
Model P1522

Lower Mount (LM) and Center Back Mount (CBM)



SPECIAL APPLICATION GAUGES

Model P1522 2" Corrosion Resistant Pressure Gauges



Spec Number Selection Chart

Specifications	Model P1522 1/4-18 NPT Lower Mount	Model P1522 1/4-18 NPT Center Mount
Bourdon Tube	316 Stainless Steel	
Connection	316 Stainless Steel	
Sizes	2"	
Ranges	Spec No.	Spec No.
30" Hg	172028A	172050A
30"-0-15 psi	172029A	172051A
30"-0-30 psi	172030A	172052A
30"-0-60 psi	172031A	172053A
30"-0-100 psi	172032A	172054A
0-15 psi	172033A	172055A
0-30 psi	172034A	172056A
0-60 psi	172035A	172057A
0-100 psi	172036A	172058A
0-160 psi	172037A	172059A
0-200 psi	172038A	172060A
0-300 psi	172039A	172061A
0-400 psi	172040A	172062A
0-600 psi	172041A	172063A
0-800 psi	172042A	172064A
0-1000 psi	172043A	172065A
0-1500 psi	172044A	172066A
0-2000 psi	172045A	172067A
0-3000 psi	172046A	172068A
0-4000 psi	172047A	172069A
0-5000 psi	172048A	172070A
0-6000 psi	172049A	172071A