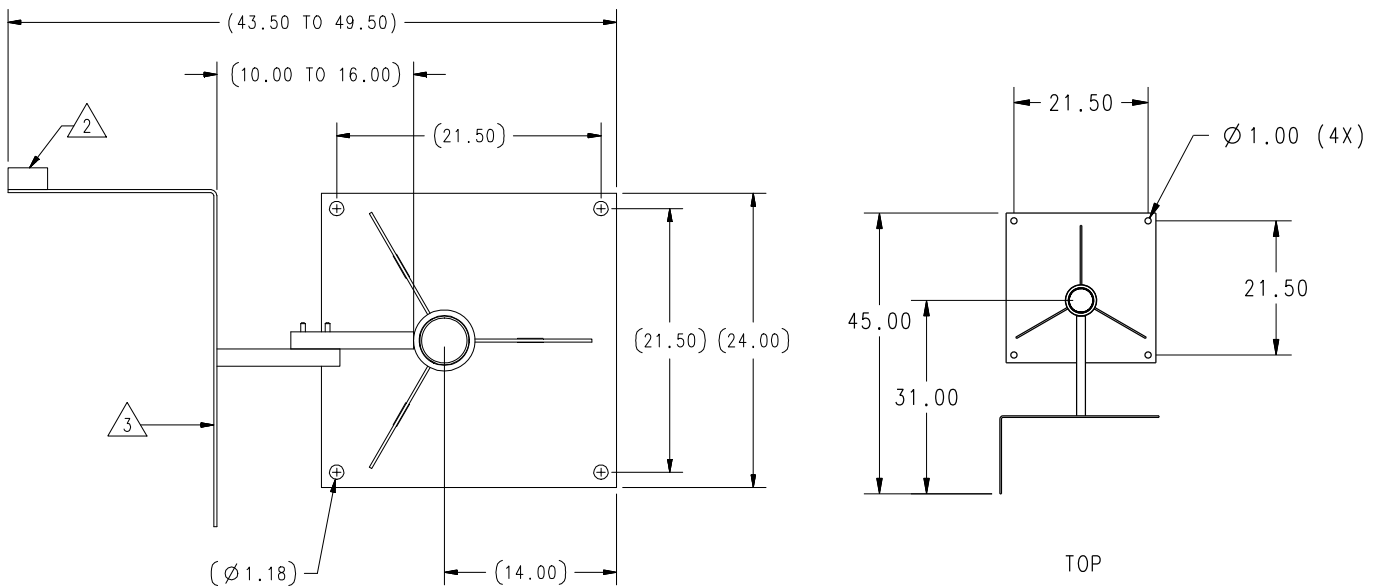
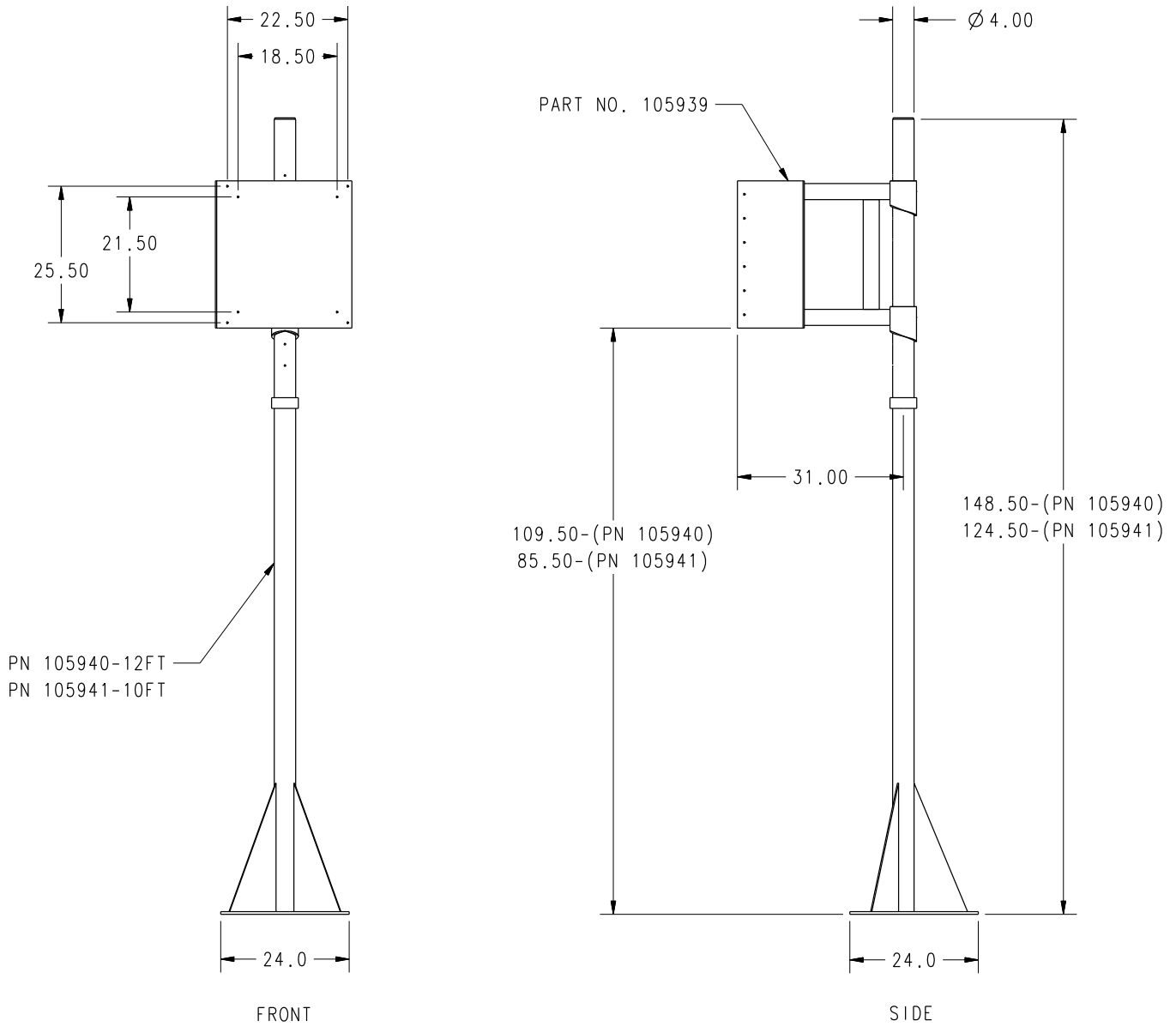


Kiosk Safety Swing-away Arm

Self Centering Kiosk Mount





Standard Features

- Capacities between 300 g and 6,000 g
- Internal resolution: 1/600,000
- LCD display
- Quick response
- Accumulation, counting and percentage modes
- 13 different units of measure
- Detachable enclosed weighing chamber (in capacities ≤1 kg)
- Battery operation for up to 40 hours of continuous use (without backlight)
- Standard RS-232 interface for connecting to printer or PC
- Plastic enclosure
- AC adapter

APPROVALS



Specifications

	EQ-300 [^]	EQ-600 [^]	EQ-1500	EQ-3000	EQ-6000
Part #	165338	165339	165340	165341	165342
List Price	\$305.00	\$305.00	\$305.00	\$305.00	\$305.00
Capacity	300 g	600 g	1,500 g	3,000 g	6,000 g
Resolution	0.01 g	0.02 g	0.05 g	0.1 g	0.2 g
Weighing Units	Gram, Carat, Ounce, Ounce Troy, Pound, Pennyweight, Grain, Momme, Hong Kong Tael, Singapore Tael, Taiwan Tael, Tola				
Operating Modes	Weighing, Percent Weighing, Parts Counting, Accumulation				
Repeatability (+/-)	0.01 g	0.02 g	0.05 g	0.1 g	0.2 g
Linearity (+/-)	0.02 g	0.04 g	0.1 g	0.2 g	0.4 g
Stabilization Time	2 seconds				
Operating Temperature	32° F to 104° F (0° C to 40° C)				
Weighing Chamber	6.7 x 5.7 x 3.1 in (170 x 145 x 80 mm)		N/A	N/A	N/A
Pan Size	Ø 4.7 in (Ø 120 mm)		4.8 in x 5.6 in (122 mm x 142 mm)		
Dimensions	7.1 x 8.7 x 3.3 in (180 x 220 x 85 mm)				
Est. Ship Weight	6.6 lb (3 kg)				
Calibration Weight	300 g	600 g	1,500 g	3,000 g	6,000 g
Power	AC adapter (12V/500 mA); internal rechargeable battery (6V/1.2Ah)				
Warranty	One-year Limited Warranty				
Return Policy	Rice Lake Standard Policy				

[^]Weighing Chamber