

## ACCUTRAK™ ROTARY POSITION MONITORS

INTRINSICALLY SAFE – NEC

Fully integrated rotary valve position monitors that are certified for intrinsically-safe applications when used with approved IS barriers



### FEATURES

- Inductive NAMUR sensor rated for IS applications.
- Magnum switches with rhodium contacts for use with low power I/O's for longer contact life.
- Strong durable Beacon™ offers 360° visual indication in a choice of styles and colors.
- Touch set cams are hand adjustable, spring loaded and self-locking providing quick calibration of position switches and sensors.
- Terminal strips are pre-wired and numbered with generous working space for ease of use.
- Additional conduit for easy field wiring and mounting accessories as standard.
- Standardized mounting pattern for easy adaptation to common bracketry.
- NAMUR shaft output compliant to VDI/VDE 3845 available.
- Engineered resin enclosure is robust, lightweight and provides exceptional chemical, UV and impact resistance.
- Aluminum enclosures with ultra-low copper content (0.2% maximum) ensure robust performance in corrosive environments.
- Rugged stainless steel enclosure option

### TECHNICAL DATA

#### Agency approvals

Area classification (NEC 500)

Class I, II & III, Division 1, Groups A, B, C, D, E, F & G / T6 Ta = 60°C (Entity) when operated through approved IS barriers

Enclosure standards (ANSI/NEMA 250)

Type 4, 4X

#### Switches

Models 5004/5044

Pepperl + Fuchs model NJ2-V3-N V3 mechanical switches, SPDT with gold-plated contacts  
Magnum SPDT hermetically sealed switches with rhodium contacts

#### Enclosures

Model 5004

Aluminum

Model 5044

Engineered resin

Stainless steel

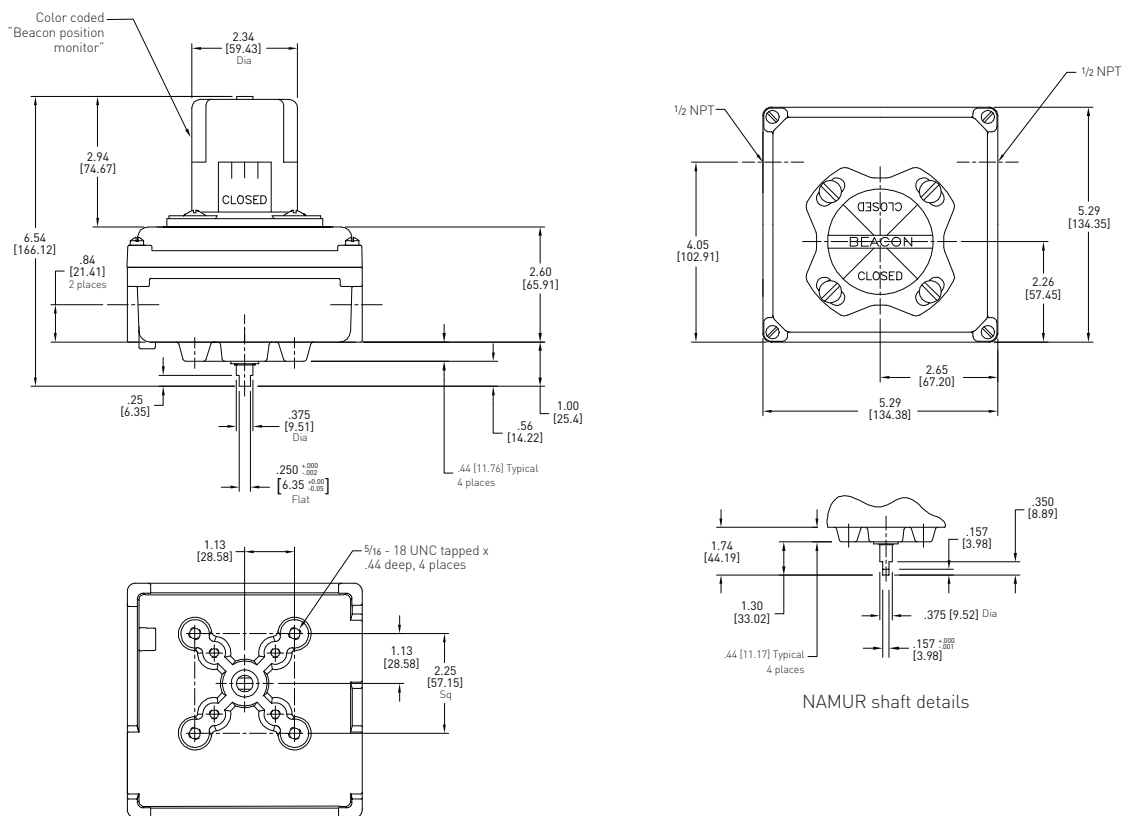
### GENERAL APPLICATION

AccuTrak position monitors are ideal for manual and automated rotary valves. They provide consistent and accurate valve monitoring in a compact unit which can be mounted directly or via a valve actuator.

# ACCUTRAK™ ROTARY POSITION MONITORS

INTRINSICALLY SAFE – NEC

## MODEL 5004 DIMENSIONS



Dimensions in inches, where available metric dimension (mm) in parentheses

## TECHNICAL SPECIFICATIONS

### Materials of construction

Enclosure	Aluminum with powder coat finish
Shaft and hardware	Stainless steel
Bushing	Oil impregnated bronze
Beacon visual indicator	Co-polyester

### Drive shaft

Westlock standard	Double-D with 1/4" A/F
NAMUR standard	NAMUR standard VDI/VDE 3845

### Available switches

Pepperl + Fuchs model NJ2-V3-N
V3 mechanical switches, SPDT with gold-plated contacts
Magnum, SPDT hermetically sealed switches with rhodium contacts

## NOTES

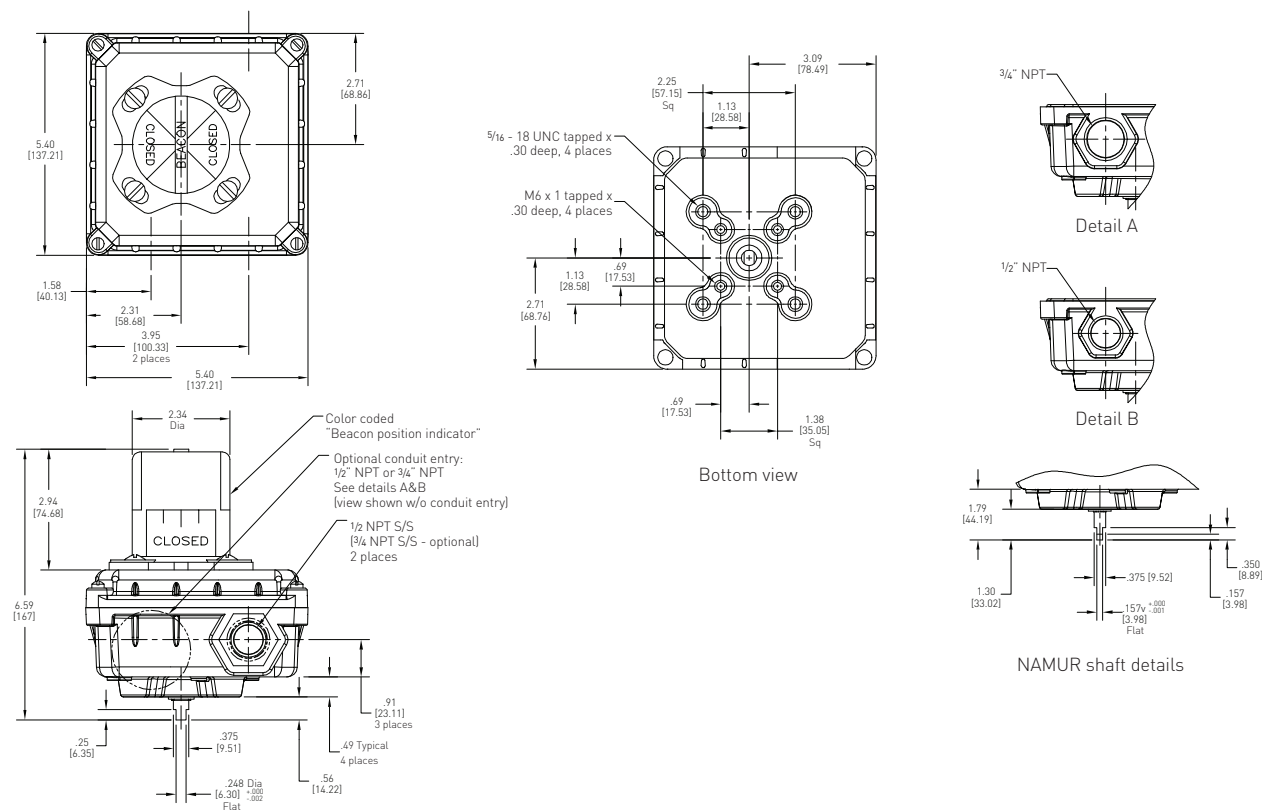
1. See selection guide for standard conduit entries
2. See switches & sensors data sheet for further information
3. A specialist eliminator fitting is available for the mounting of an aftermarket solenoid valve
4. Please consult your sales office for any other requirements



# ACCUTRAK™ ROTARY POSITION MONITORS

INTRINSICALLY SAFE – NEC

## MODEL 5044 DIMENSIONS



Dimensions in inches, where available metric dimension (mm) in parentheses

## TECHNICAL SPECIFICATIONS

### Materials of construction

Enclosure	Engineered polyamide resin
Shaft and hardware	Stainless steel
Bushing	Nylon
Beacon visual indicator	Co-polyester

### Drive shaft

Westlock standard	Double-D with 1/4" A/F
NAMUR standard	NAMUR standard VDI/VDE 3845

### Available switches

	Pepperl + Fuchs model NJ2-V3-N
	V3 mechanical switches, SPDT with gold-plated contacts
	Magnum, SPDT hermetically sealed switches with rhodium contacts

### Options

Model 5044	Stainless steel enclosure
------------	---------------------------

## NOTES

1. See selection guide for standard conduit entries
2. See switches & sensors data sheet for further information
3. A specialist eliminator fitting is available for the mounting of an aftermarket solenoid valve
4. Please consult your sales office for any other requirements



# ACCUTRAK™ INTRINSICALLY SAFE ROTARY POSITION MONITORS

## MODELS 5004 / 5044 SELECTION GUIDE

Base model	
5004	Aluminum enclosure
5044	Engineered resin enclosure <sup>[3]</sup>
Shaft output	
S	Standard (double-D with ¼" Flats)
N	NAMUR
Beacon	
BY	BM2-Y (standard)
RG	BM2-RG (Red Closed/Green Open)
FE	BM2-Y-FE (French/English)
AB	BM2-B
AR	BM2-R
B1	BM3-1
B3	BM3-3
B5	BM3-5
B7	BM3-7
B9	BM3-9
FC	Flat Cover
Conduit	
2A	Two ½" NPT (F)
2B	Two ¾" NPT (F) model 5044 only
Position switches	
2M08	Two P+F sensors model NJ2-V3-N - 8 pt. TS
2M09	Two SPDT mechanical switches with gold-plated contacts - 8 pt. TS
2M12	Two SPDT Magnum switches with rhodium contacts - 8 pt. TS
Analog position transmitter	
00	Not available
5044	N BY 2A 2M12 00 = Model number <b>5044NBY2A2M1200</b>

### NOTES

1. Please contact your sales office for guidance on selecting the best possible combination for your control and monitoring requirements.
2. See Hazardous area classification technical bulletin for further information on global standards.
3. For stainless steel enclosure, please add 00124 to the end of your part number built with the selection guide above.



[www.westlockcontrols.com](http://www.westlockcontrols.com)

**Westlock.** We reserve the right to change designs and specifications without notice.