



Jamestown Metal Products Isolator Series Laboratory Fume Hoods

178 Blackstone Avenue Jamestown, NY 14701
716.665.5313 Fax 716.665.5121 www.iciscientific.com



Isolator Series Laboratory Fume Hoods

178 Blackstone Avenue Jamestown NY 14701
716.665.5313 Fax 716.665.5121 www.iciscientific.com

Table Of Contents

Fume Hoods	Section K
Overview	K-1 – K-8
F-100 Series, Bench Fume Hoods	K-9 – K-68
F-200 Series, Walk-In Fume Hoods.....	K-69 – K-116
F-300 Series, Isolator ² High-Performance Fume Hood.....	K-117 – K-128
F-400 Series, Radioisotope Bench Fume Hoods	K-129 – K-152
F-500 Series, Perchloric Acid Bench Fume Hoods	K-153 – K-168
F-600 Series, OS Height Bench Fume Hoods.....	K-169 – K-184
F-700 Series, Auxiliary Air Bench Fume Hoods.....	K-185 – K-188
F-800 Series, Auxiliary Air Walk-In Fume Hoods.....	K-189 – K-192
F-900 Series, HOPEC & ADA Bench Fume Hoods.....	K-193 – K-212
Educational Fume Hoods	K-213 – K-224
Canopy Fume Hoods.....	K-225
Fume Hood Liners	Section L
Liner Options	L-1
Phenolic Resin Liners	L-2 – L-3
Polyvinyl Chloride Liners.....	L-4 – L-5
Polypropylene Liners	L-6 – L-7
Stainless Steel Liners.....	L-8 – L-10
Fume Hood Electrical	Section M
Fume Hood Plumbing	Section N
Fixture Accessories	N-1
Outlet Options.....	N-2 – N-3
Valve Options.....	N-4 – N-5
Cupsink Options	N-6 – N-7
Pre-Piping Plumbing Fixtures	N-8 – N-9
Indexing	N-10
Fume Hood Accessories	Section O
Worktops	O-1 – O-8
Ceiling Soffits.....	O-9 – O-13
Replacement Fascias & Side Panels	O-14
Sash Options	O-15 – O-19
Special Options	O-20 – O-25
Modifications	O-26 – O-27

Presenting the ISOLATOR Series

The ISOLATOR combines the newest innovations in fume hood design with accepted architectural practices to achieve the most unique approach to fume containment in the world. Many of our standard features cannot be found on other fume hoods. The ISOLATOR's most outstanding attribute is safety.

Safety from Fumes

ANSI/ASHRAE 110–1995, the current fume hood test, evaluates the containment of fume hoods under three conditions:

1. Zero movement (relatively static conditions)
2. Rapid sash movement
3. Perimeter containment around the airfoil, sash stop and side posts



Our bold new method of construction has redefined the word “containment”.

Safety from Fire

One of the most feared accidents that can occur inside a fume hood is an uncontrolled fire. The ISOLATOR has a full metal superstructure and a steel top to afford an extra layer of protection against the collapse of the fume hood interior during a fire plus a tempered glass sash and viewpass that resists thermal cracking up to 2500 Fahrenheit higher than safety glass.

Safety from Sash Failure

A typical sash and counterweight system uses galvanized steel or stainless steel cables to connect the sash to the counterweight. If these cables fray, snap or pull loose from their connecting points, the elevated sash and counterweight could come crashing down. A fume hood sash may weigh up to 150 pounds. The ISOLATOR sash system is chain driven not cable driven. This counterbalancing system has been tested to 1,000,000 cycles without failure. It carries a lifetime guarantee.

Aside from these significant safety features, the ISOLATOR also is a very user-friendly safety device with the following features:

Fingertip sash operation – the rugged chain driven counterweight system has the smoothest operating sash in the industry.

Viewpass system – a dual purpose panel that allows the same bypass function as the traditional louvered metal panel. Events inside the fume hood can be monitored all the way from the worktop to the roof via the smoked glass transparent panel.

Aerodynamic sash handle – sash handle style that aids in the containment of fumes during rapid sash movement.

Stainless steel top and bottom airfoils are standard – The bottom fume hood airfoil in particular has always been subject to scratching and corrosion. In the ISOLATOR, top and bottom airfoils are type 304 stainless steel as standard for increased chemical resistivity. Also standard are large cord pass-through at both airfoils ends.

Fume Hood – Overview

How the ISOLATOR is Different

Metal Superstructure

The ISOLATOR liner and baffle system is attached to a galvanized steel pan structure to ensure the most stable, fire resistant and easy-to-service fume hood superstructure in the world. Other manufacturers of fume hoods use frames or L-angles to join liner panels together. In most of these framing systems, the liner itself becomes a key load-bearing element of the fume hood superstructure. Any fire or other stressful event inside the fume hood that weakens a framed liner system can lead to an actual implosion of the containment cavity with resulting disastrous consequences.

Since the basic design begins with full metal pans as a superstructure, the liner is truly a liner, not structural as in other hoods. This makes it feasible to change liners or liner types in the field in the case of a damaged liner or a significant change in use and it is much easier to relocate the fume hood should it become necessary.

“Knocked Down” (KD) Style Construction

The ISOLATOR’s galvanized pan system is the heart of our Knocked-down assembly strategy. The ISOLATOR is the only fume hood made in the United States whose standard models are all shippable “knocked-down” – KD. This option not only affords more moving and storage options on cluttered job sites but a lower source cost than assembled units. Two trained installers can completely assemble a KD ISOLATOR within two hours.

Even our factory pre-assembled ISOLATOR hoods are built from KD parts. This design makes it ideal for situations where limited space is available for movement to the installation location.



The Viewpass

The viewpass is a revolutionary system utilizing a tempered glass panel to create a bypass. This replaces the older style louvered steel panel used by other manufacturers. Because there is no direct path between this bypass slot and the suspended ceiling cavity common in many labs, bypass air is taken from the lab under all sash positions, even if the hood top is soffeted into the hung ceiling.

For increased safety, this system also affords excellent visual monitoring of the entire containment cavity, a feature not standard on any other fume hood.

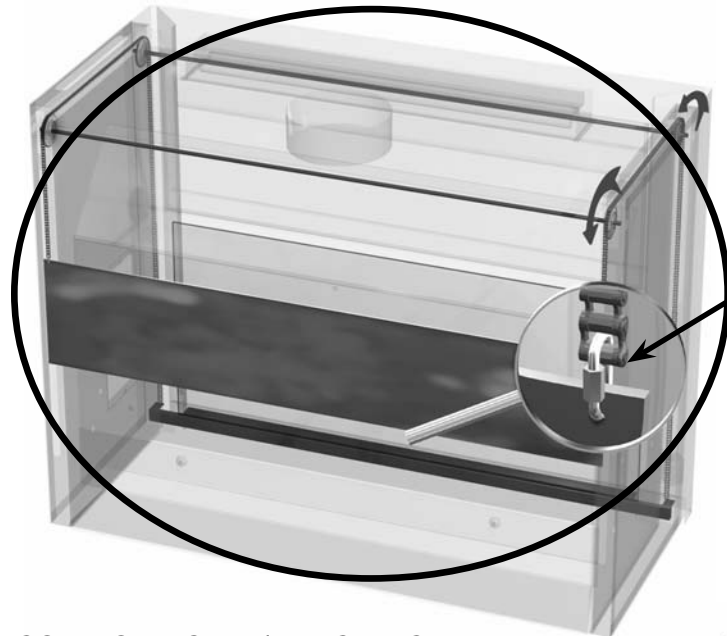
How the ISOLATOR is Different, continued

ISOLATOR Sash / Counterweight System

The ISOLATOR's heavy duty gear/chain/bearing components, designed to be virtually indestructible, are integrated into our unique four wheel drive sash counterweight system – assuring you of a lifetime of reliable and safe performance. We guarantee it.*

The steel chain used in the ISOLATOR's counterweight system has bending flexibility as an inherent feature of the chain, plus only two directional changes occur with each chain's motion.

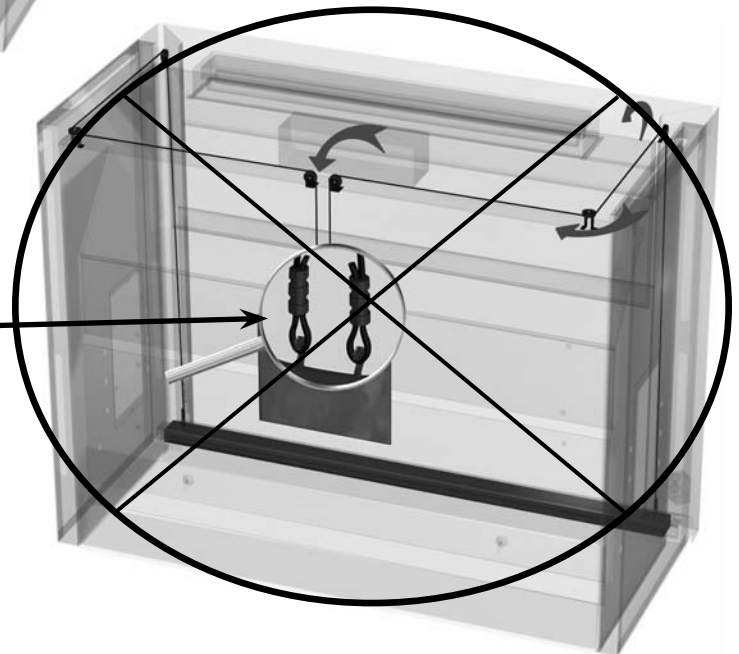
The ISOLATOR's unique system ensures ease of operation and non-binding performance for enhanced safety. Fume hood operators can be sure that quick sash closure and adjustment is always possible and always with fingertip control.



The ISOLATOR employs a positive attachment from the chain to both the sash handle and the counterweight

ISOLATOR's Chain/Axle Sash System

The other stress point most susceptible to breakage is the crimped attachment point of the cable to the counterweight



Typical Cable/Pulley Sash System

*Lifetime warranty covers the sash mechanism. Sash mechanism refers to the #35 case-hardened steel chain, sealed bearings, drive axles, sprockets and chain attachment points at both sash handle and counterweight.

Fume Hood – Overview

Fume Hood Selection Guide

Fume hoods are a critical piece of safety equipment. Your choice may impact the safety and comfort of working in your lab. When selecting a fume hood, you should consider:

Containment

Containment is the ability of the fume hood, and the related HVAC system, to keep your procedures inside the hood, safely away from the operator. The newest ASHRAE (American Society of Heating, Refrigerating and Air Conditioning Engineers) standard, ANSI/ASHRAE 110-1995, is the most comprehensive evaluation of a fume hood's containment.

All fume hoods use test data based on the ASHRAE 110-1995 criteria. This evaluation demonstrates how well a hood performs for static containment, rapid sash movement and perimeter containment.

The ACGIH (American Council of Governmental and Industrial Hygienists) recommends a 4.0 AM 0.1 PPM tracer gas static containment rating. The standard 6' ISOLATOR averages 0.002 PPM which exceeds the recommended level by a factor of 50 (factor derived by dividing 0.1 PPM by the ISOLATOR's 0.002 PPM). The ISOLATOR's high efficiency baffle system delivers a uniform face velocity with $\pm 10\%$ or less variance.

The ISOLATOR provides a higher level of containment that goes beyond just containing fumes. The standard tempered glass increases resistance to breakage from heat and impact. The steel pans provide a metal superstructure that greatly increases the hood's ability to withstand fire and explosion. While these events are unlikely, it is good to know that when working with the ISOLATOR, you have the greatest degree of integral protection of any standard hood on the market.

Noise Levels

Working at a noisy hood for long periods can be more than a distraction. Much of this noise is generated by the HVAC system itself. The ISOLATOR has been designed not to contribute to the noise level and has tested at substantially lower sound levels than the 65db reported by other manufacturers. In addition to the lower noise levels, the combination of CFM (cubic feet per minute) and static pressure make the ISOLATOR very energy efficient. Lower CFM at 100 FPM translates into less consumption of conditioned air. Non-round duct collars further aid in reduced noise levels due to static pressure reduction.

Primary Functions

In addition to containment, other functions such as sash operation must be considered. The operation of the sash is one of the most common interfaces with a hood. You can't get any better than the ISOLATOR. Unlike cable driven sash systems which can fail in as few as 25,000 cycles, our chain driven system has been tested in excess of 1,000,000 cycles without failure. Our sash will not bind or jam. We are so sure of this performance, we guarantee our sash mechanism...for life. Ask the others to do that with their sash systems.

Appearance

Another factor important to our users is appearance. The word used most often to describe the ISOLATOR is "High Tech". Our innovative design eliminates the metal louvered top airfoil and replaces it with a glass bypass. This, along with the use of stainless steel, gives the ISOLATOR the sleek, clean lines that will enhance the look of any laboratory.

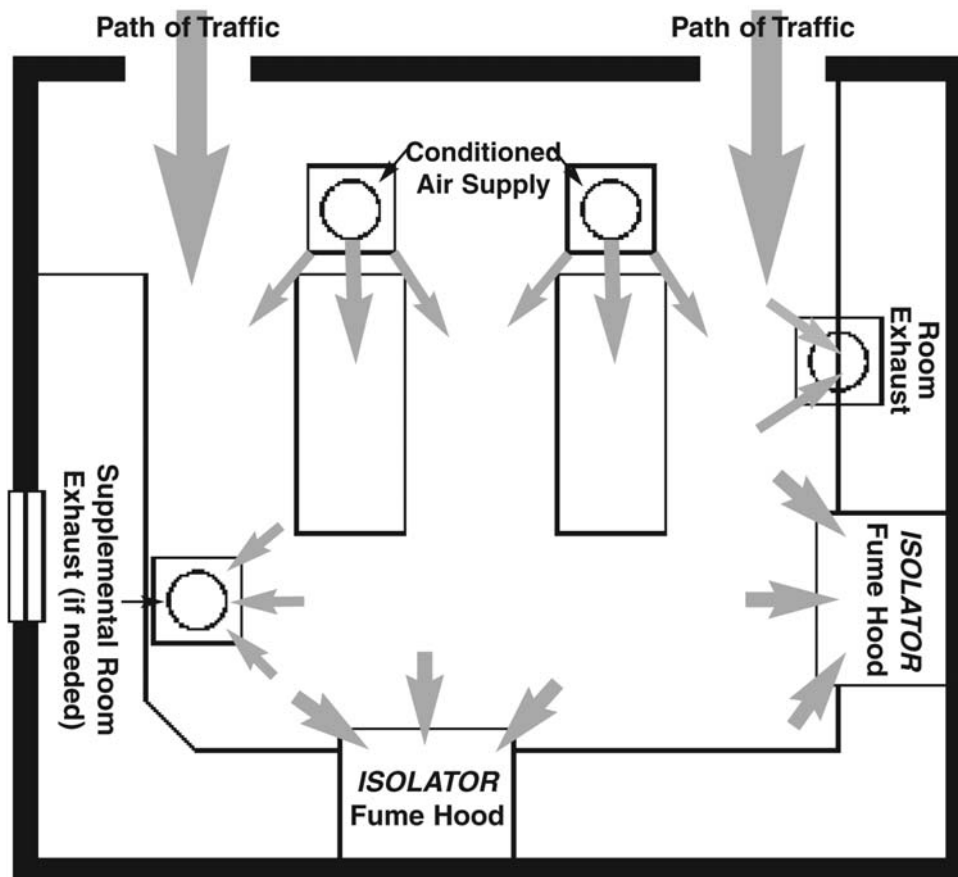
Fume Hood Selection Guide

Location Planning

The planned location of the fume hood within the laboratory affects both the safety and convenience of the user and the airflow patterns of the room. The fume hood must be properly located within the laboratory and must allow the users to safely and efficiently perform their tasks. Keep these basics in mind when planning your space:

1. Hoods should not be located near operable windows, doors or air conditioning registers because potential cross drafts will interfere with the airflow into the hood.
2. Never locate the hood adjacent to an exit or where the user would be forced to work in a high traffic area.
3. If a common exhaust or supply system is used for several hoods, the fume hoods should be arranged to require a minimum amount of ductwork.
4. Hoods used in conjunction with a heating or air conditioning system as room exhaust should generally be located on the opposite side of the room from the inlet registers (see diagram for an example). The air from the registers should sweep through the laboratory first, then be exhausted through the hood for both safety and HVAC efficiency.

Keep hoods away from heavy traffic patterns.



Note: In this sample diagram, the ISOLATOR fume hoods are used in conjunction with the laboratory HVAC system as room exhaust.

Fume Hood – Overview

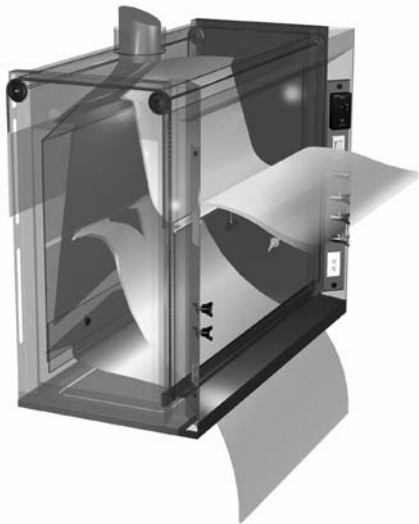
Fume Hood Selection Guide

Constant Air Volume Fume Hoods

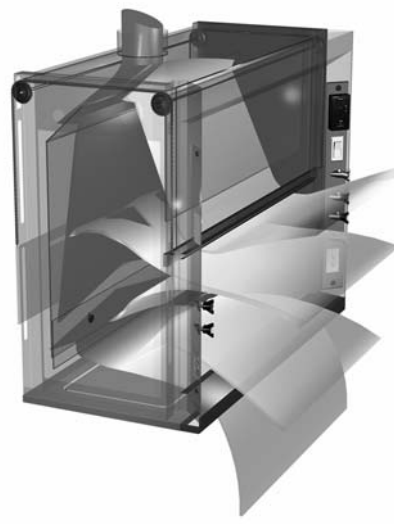
Constant Air Volume (CAV) fume hoods always extract air at the same rate, or CFM (cubic feet per minute). In a CAV hood, an alternate air route is opened as the sash is lowered. This alternate route is called a bypass. The air speed through a partially opened sash could approach 1000 FPM without such a bypass opening. This prevents very high air velocities which could cause problems within the hood.

Capabilities and Drawbacks

1. Simple to design and construct.
2. Will generally provide very safe containment without design complexity.
3. Allows experiments to proceed safely at any sash position
4. Can be expensive to operate because of exhaust volumes. On average, a 6 foot fume hood can exhaust 630 million cubic feet of air per year.
5. Requires large initial expenditure on ductwork and a lab heating/cooling capability sufficient to keep up with the exhaust rate.
6. Difficult to retrofit such systems into laboratories where the installation of extra exhaust or HVAC support is difficult.



CAV Fume Hood
Sash Closed



CAV Fume Hood
Sash Open

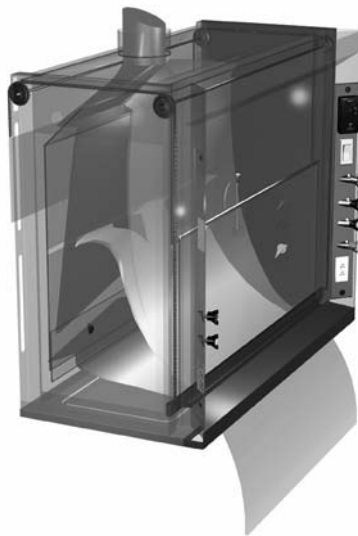
Fume Hood Selection Guide

Variable Air Volume Fume Hoods

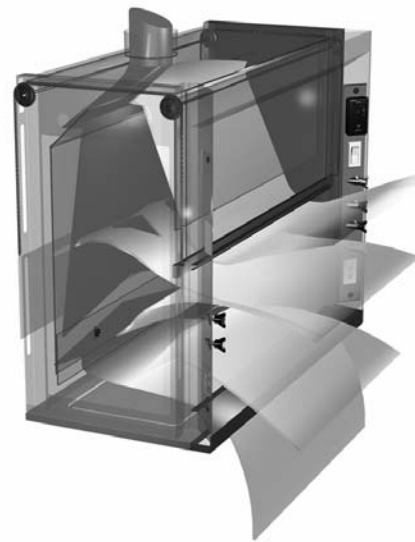
Variable Air Volume (VAV) fume hoods extract an air volume necessary to maintain a specified fume hood face velocity (usually 100 FPM), regardless of sash position, by utilizing either a restricted or completely closed bypass. These fume hoods use dramatically less exhaust air if the sash is kept closed and therefore have the potential of reducing air conditioning/heating costs.

Capabilities and Drawbacks

1. Can save between 10% and 50% of exhaust volume (based on end-user cooperation on keeping the sashes closed).
2. Can reduce initial HVAC costs on large facilities because the supporting HVAC can be downsized from requirements for a CAV system.
3. Since exhaust requirements are less, VAV systems are sometimes easier to retrofit since duct sizes of both make-up and exhaust systems may be substantially smaller.
4. A more complex system than CAV, the control systems will add cost to initial construction and maintenance.
5. Some VAV systems have response time difficulties; when sashes are opened, the fume hood exhaust CFM may not immediately increase to the required level, resulting in a temporarily low face velocity and possible loss of containment.
6. Some experiments that produce large quantities of acidic or flammable vapor or heat will overtax the reduced exhaust rate of a VAV hood with the sash closed and may create corrosion of internal equipment, explosion hazards, cracked safety glass or singed liners.



VAV Fume Hood
Sash Closed



VAV Fume Hood
Sash Open

Fume Hood – Overview

Fume Hood Description & Applications

BENCH HOOD

Fume hood with 48" high clear interior on a 36" high bench top. Used for general chemistry applications. This is the most common hood type.

A.D.A. HOOD

Bench hood with combination sash on 34" high or lower table frame to comply with Americans with Disabilities Act. It facilitates handicapped access and saves energy.

WALK-IN HOOD

A floor-to-ceiling hood with an 84" high clear interior and 62" clear sash opening. Available with twin vertical sashes, combination or horizontal sash. Used with chromatography, distillations, pilot plant mock-ups, vat drug preparation and other large equipment procedures.

O.S. HEIGHT HOOD

Bench hood with a 60" clear interior height. It is available with single vertical or combination sash. Used with intermediate distillations, drying oven applications and work requiring intermediate sized equipment such as grinders.

PERCHLORIC ACID HOOD

Bench hood with coved 316 grade stainless steel interior and baffle washdown system with trench drain. For use with perchloric acid which forms unstable perchloric and organic peroxides that may become contact explosives. Water neutralizes these chemicals which allows for their disposal.

RADIOISOTOPE / BIOCHEMICAL HOOD

Bench hood with coved 304 grade stainless steel interior for use with isotopes or biologicals that must be thoroughly cleaned. Used with titration, iodination, isotope analysis, necropsy and virological sample processing.

AUXILIARY AIR HOOD

This fume hood supplies up to 70% of its own exhaust air from a top mounted supply air plenum. It is an ideal hood for situations where the air flow environment is limited.

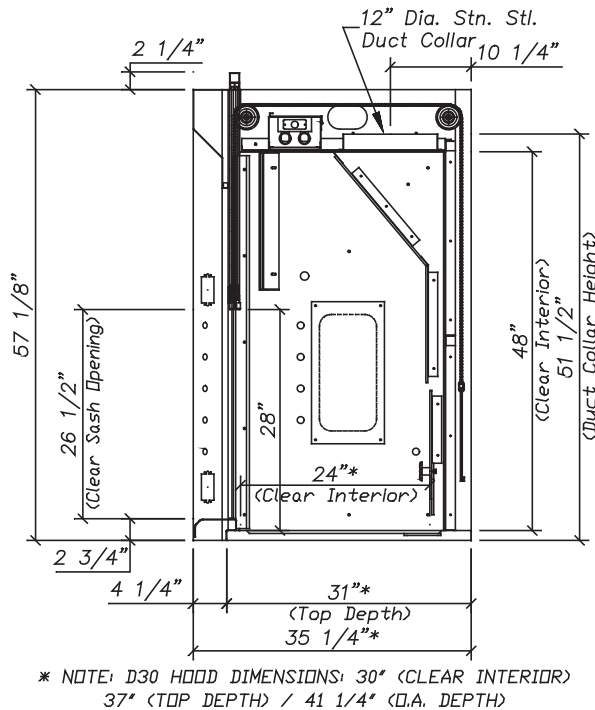
H.O.P.E.C. HOOD

The HOPEC (Hand Operated Positive Energy Control) fume hood is designed to operate at one half the amount of air of a traditional hood. With no bypass system the hood is designed to operate without the use of a VAV (Variable Air Volume) system. The HOPEC also addresses concerns such as ADA and LCV (Low Constant Volume).

F-100 Bench Hood – Frameless Vertical Sash

The ISOLATOR bench hood with a frameless vertical sash is the result of extensive research and development to produce the industry’s safest, most adaptable fume hood. It has an expansive interior view, superior containment and functional design along with a stylish appearance. The ISOLATOR’s design and construction enhances its value by providing:

- Unparalleled user safety
- Full hood access for easy set ups
- Years of maintenance free service
- Unmatched ease of use
- Unique design qualities for unlimited customization possibilities
- Field conversion between Constant Air Volume (CAV) and Variable Air Volume (VAV)
- Hoods available in “Knock Down” (KD) mode for transport and assembly in restricted areas



F-100 Bench Hood Features

- Unsurpassed containment (designed and tested to exceed ASHRAE 110-1995)
- Unique chain driven sash mechanism that comes with a lifetime warranty
- Galvanized Steel Pan Superstructure
- Transparent Viewpass bypass system
- Stainless steel air foil
- Aerodynamically designed Airplane wing style sash handle enhances the perimeter containment
- Vertical sashes provide the greatest hood interior access
- Full view sash with 26 1/2" opening
- Quality engineering ensures years of reliable service

F-100 Series – Isolator Bench Fume Hoods – Ordering Information

F-100 Series Air Flow Data

Catalog Number	Duct Diameter	28" Vertical Open @ 100 FPM	18" Vertical Open @ 100 FPM
F-100-36	1 : 10"	506 CFM @ .14 "SP	325 CFM @ .06 "SP
F-100-48	1 : 10"	739 CFM @ .29 "SP	475 CFM @ .12 "SP
F-100-60	1 : 12"	972 CFM @ .27 "SP	625 CFM @ .11 "SP
F-100-72	1 : 12"	1206 CFM @ .42 "SP	775 CFM @ .17 "SP
F-100-96	2 : 10"	1672 CFM @ .37 "SP	1075 CFM @ .15 "SP

F-100 Series Product Numbers

F-100-36	Bench 36"	Frameless	
F-100-36D30	Bench 36"	Frameless	30" Deep
F-100-48	Bench 48"	Frameless	
F-100-48D30	Bench 48"	Frameless	30" Deep
F-100-60	Bench 60"	Frameless	
F-100-60D30	Bench 60"	Frameless	30" Deep
F-100-72	Bench 72"	Frameless	
F-100-72D30	Bench 72"	Frameless	30" Deep
F-100-96	Bench 96"	Frameless	
F-100-96D30	Bench 96"	Frameless	30" Deep

F-100 Series Liner Options

White Polyglass is standard. Please see the Hood Liners section for available options.

F-100 Series Electrical Options

Fascia is pre-punched with two electrical cutouts (four cutouts total). Please see the Electrical Fixtures section for available options.

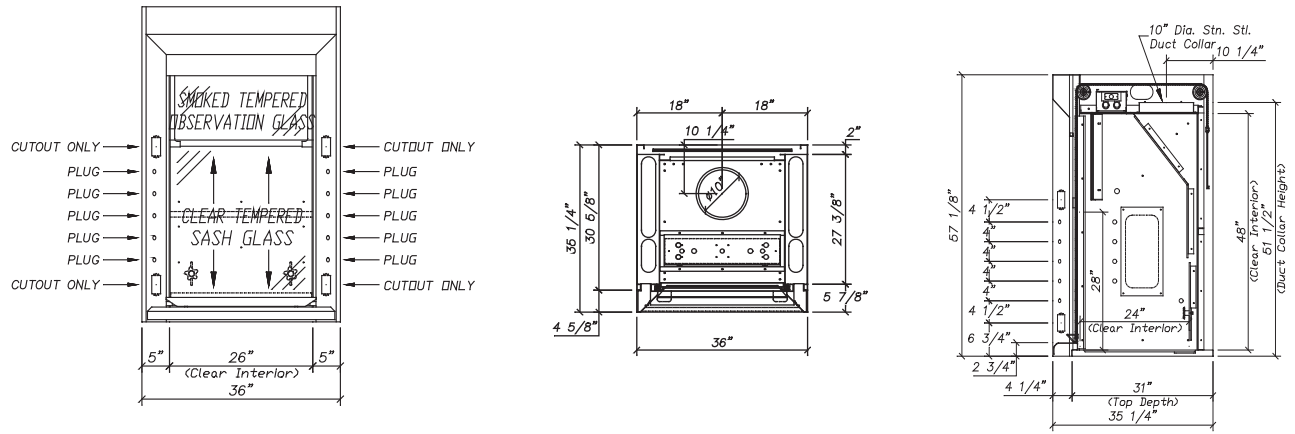
F-100 Series Plumbing Fixtures

Fascia is pre-punched with five 3/4" dia. holes to accept rod driven remote fixtures (ten holes total). Please see the Plumbing Fixtures section for available options.

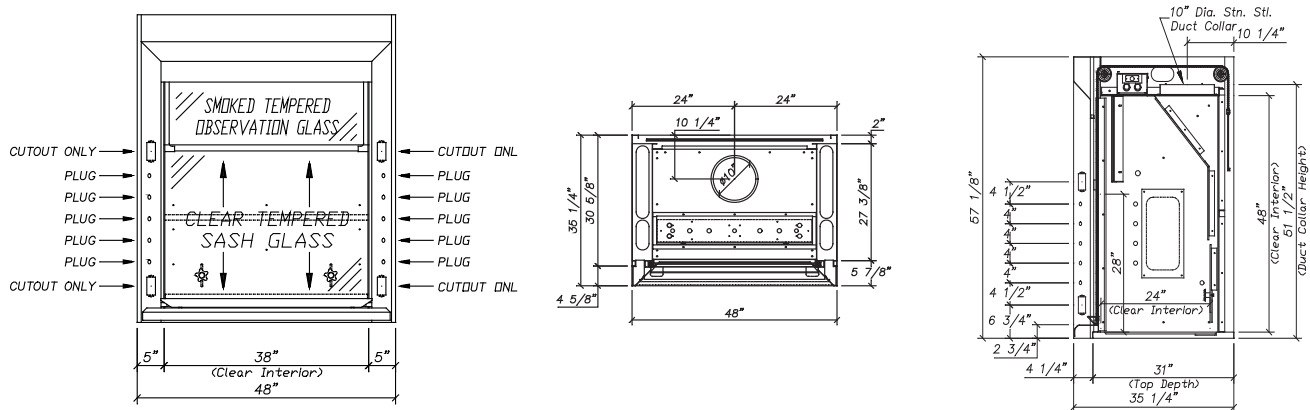
F-100 Series Fume Hood Accessories

Please see the Fume Hood Accessories section for available options.

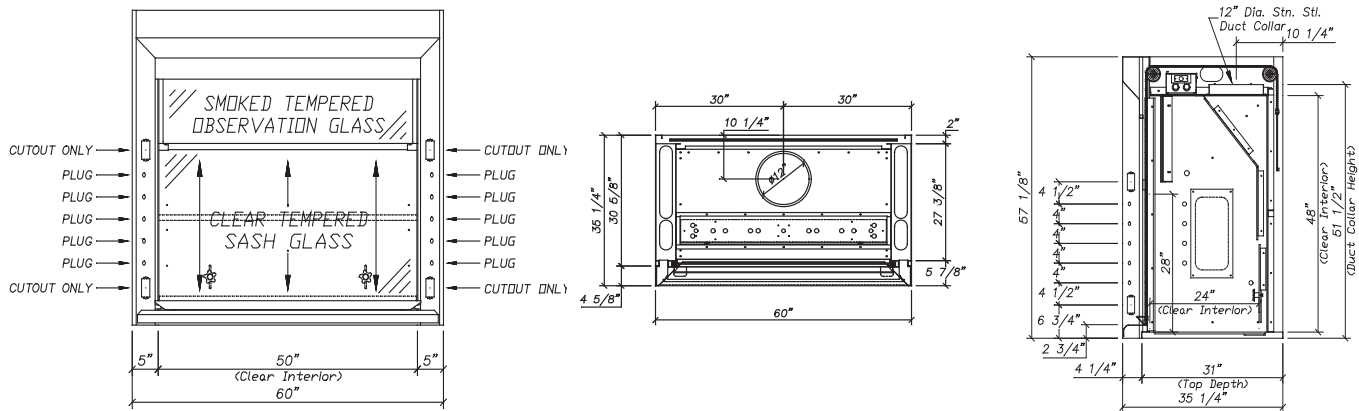
F-100-36 – 36" Bench Hood



F-100-48 – 48" Bench Hood

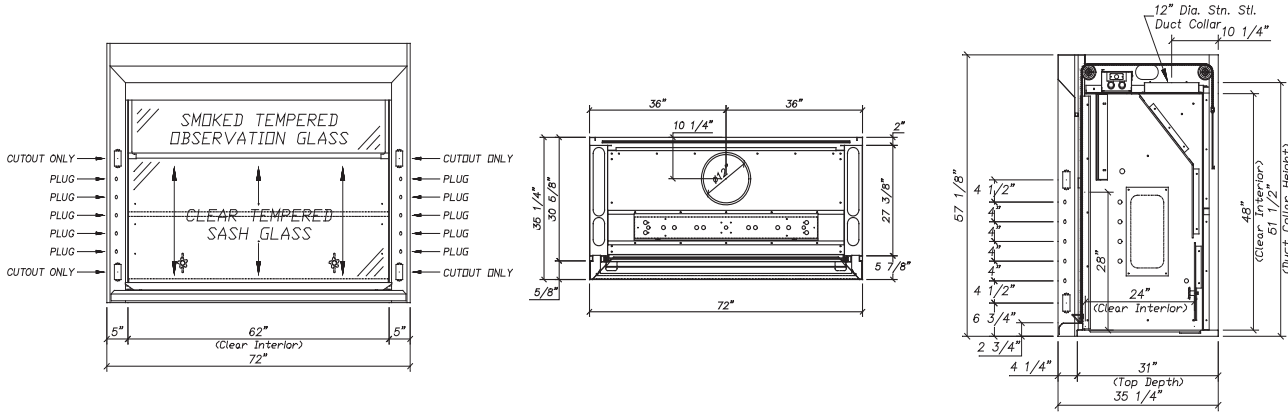


F-100-60 – 60" Bench Hood

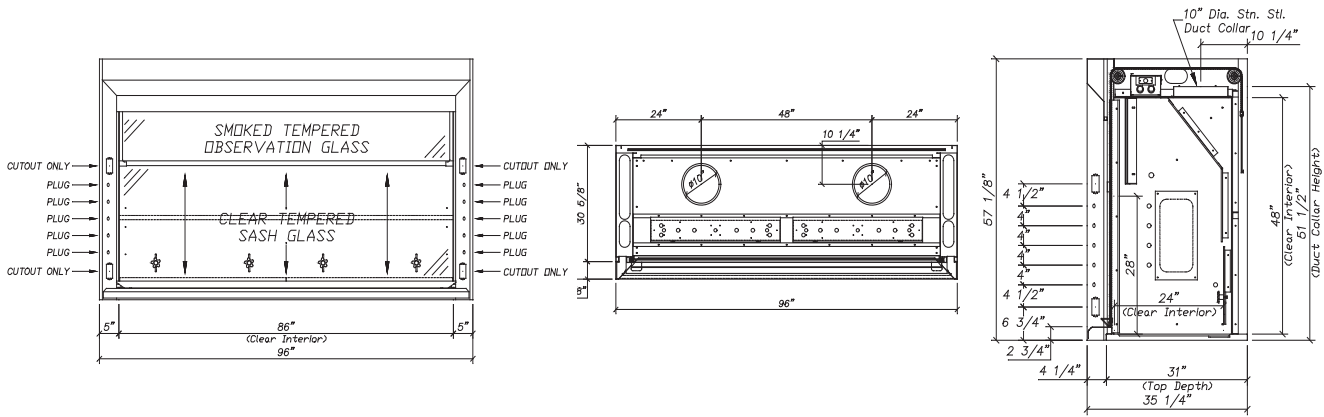


F-100 Series – Isolator Bench Fume Hoods – Product Dimensions

F-100-72 – 72" Bench Hood



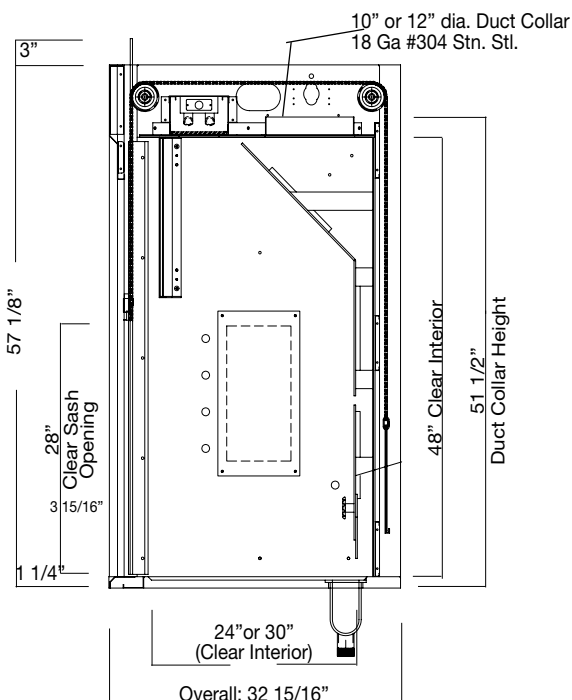
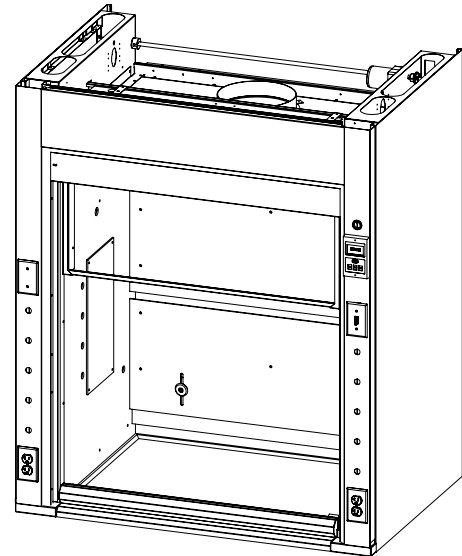
F-100-96 – 96" Bench Hood



F-100 Isolator Gen-5 Bench Hoods – Frameless Vertical Sash

ISOLATOR GENERATION-5 Bench Fume Hood is the result of extensive R & D, producing the industry's safest and most adaptable hoods. It provides superior energy savings via this functional design. Don't be fooled by its stylish appearance, it has an expansive interior view, superior containment capability, an exceptional design and industry leading construction. ISOLATOR GEN-5 hood's design and construction are further enhanced by:

- User safety is paramount
- Hood has higher sight lines through 17.25" H. clear observation glass panel; allowing for easy set-ups
- Constructed for years of maintenance-free service
- Industry leading design, yet still easy to use
- Numerous custom options possible
- Design allows field conversion between Constant Air Volume(CAV) and Variable Air Volume (VAV)
- Flush-face design
- Substantial energy savings via the sash configurations
- Hood is available in knock down (KD) mode for transport and assembly in confined or restricted areas



Note:
Counter Top Material:
29"D or 35"D

F-100 ISOLATOR GEN-5 Bench Hood Features

- Unsurpassed containment (designed and tested to exceed ASHRAE 110-1995)
- Hood is UL1805/CUL Certified listed
- Unique chain driven sash mechanism with a lifetime warranty
- Painted steel pan superstructure
- 17.25" H. Clear observation glass panel, bypass system
- Integral flush sill containment trough
- Ergonomic, painted sash handle and integral, painted, flush sill containment
- Vertical sashes provide the greatest hood interior access
- Full view frameless sash with 28" H. opening
- Quality engineering ensures years of reliable service

F-100 Series – Isolator Gen-5 Bench Fume Hoods – Ordering Information

F-100 ISOLATOR GEN-5 Series Air Flow Data

Catalog Number	Duct Diameter	28" Vertical Open @ 100 FPM	18" Vertical Open @ 100 FPM
F-100-36G5	1 : 10"	506 CFM @ .14"SP	325 CFM @ .06 "SP
F-100-48G5	1 : 10"	739 CFM @ .29 "SP	475 CFM @ .12 "SP
F-100-60G5	1 : 12"	972 CFM @ .27 "SP	625 CFM @ .11 "SP
F-100-72G5	1 : 12"	1206 CFM @ .42 "SP	775 CFM @ .17 "SP
F-100-96G5	2 : 10"	1672 CFM @ .37 "SP	1075 CFM @ .15 "SP

F-100 ISOLATOR GEN-5 Series Product Numbers

F-100-36G5	Bench 36"	Frameless	24" Deep, Clear Interior
F-100-36G5D30	Bench 36"	Frameless	30" Deep, Clear Interior
F-100-48G5	Bench 48"	Frameless	24" Deep, Clear Interior
F-100-48G5D30	Bench 48"	Frameless	30" Deep, Clear Interior
F-100-60G5	Bench 60"	Frameless	24" Deep, Clear Interior
F-100-60G5D30	Bench 60"	Frameless	30" Deep, Clear Interior
F-100-72G5	Bench 72"	Frameless	24" Deep, Clear Interior
F-100-72G5D30	Bench 72"	Frameless	30" Deep, Clear Interior
F-100-96G5	Bench 96"	Frameless	24" Deep, Clear Interior
F-100-96G5D30	Bench 96"	Frameless	30" Deep, Clear Interior

F-100 GEN-5 Series Liner Options

White Polyglass is standard. Please see the Hood Liners section for available options.

F-100 GEN-5 Series Electrical Options

Fascia is pre-punched with two electrical cutouts (four cutouts total). Please see the Electrical Fixtures section for available options.

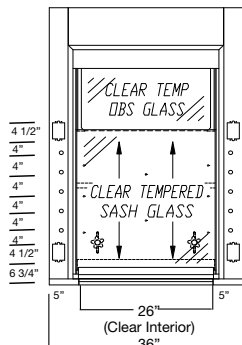
F-100 GEN-5 Series Plumbing Fixtures

Fascia is pre-punched with five 3/4" dia. holes to accept rod driven remote fixtures (ten holes total). Please see the Plumbing Fixtures section for available options.

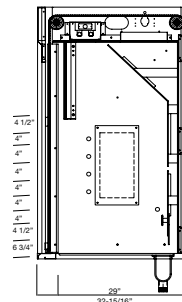
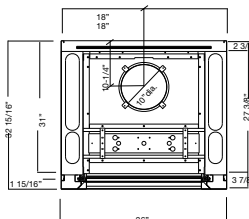
F-100 GEN-5 Series Fume Hood Accessories

Please see the Fume Hood Accessories section for available options.

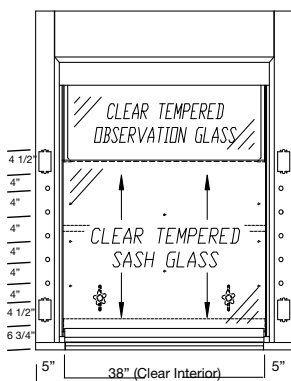
F-100-36G5 - 36" BENCH FUME HOOD



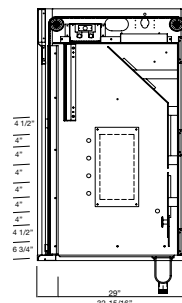
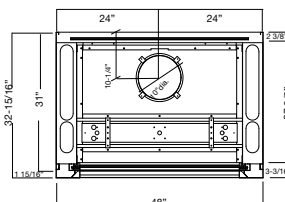
Note:
Counter Top Material:
29"D or 35"D



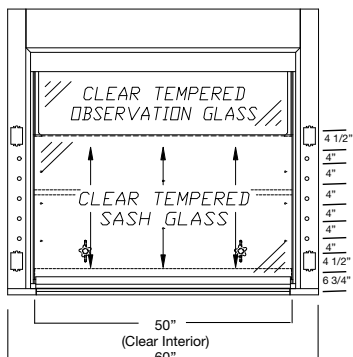
F-100-48G5 - 48" BENCH FUME HOOD



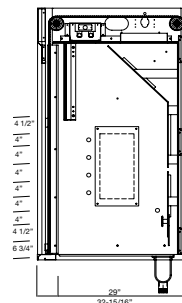
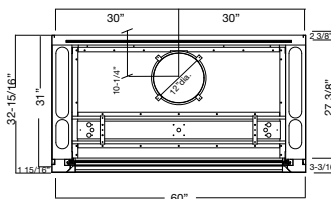
Note:
Counter Top Material:
29"D or 35"D



F-100-60G5 - 60" BENCH FUME HOOD

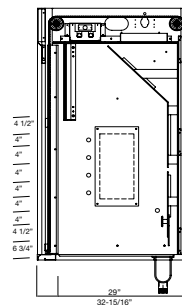
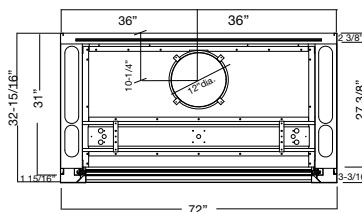
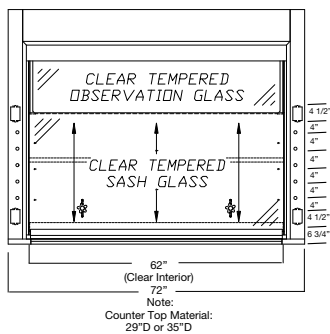


Note:
Counter Top Material:
29"D or 35"D

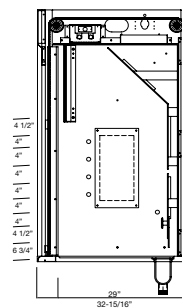
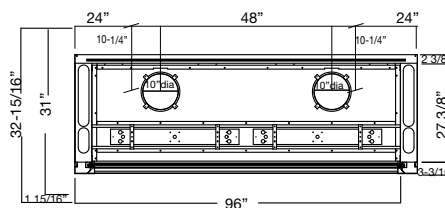
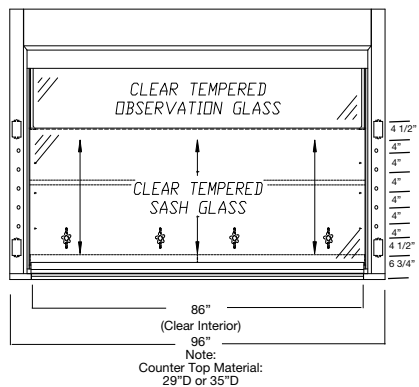


F-100 Series – Isolator Gen-5 Bench Fume Hoods – Ordering Information

F-100-72G5 - 72" BENCH FUME HOOD



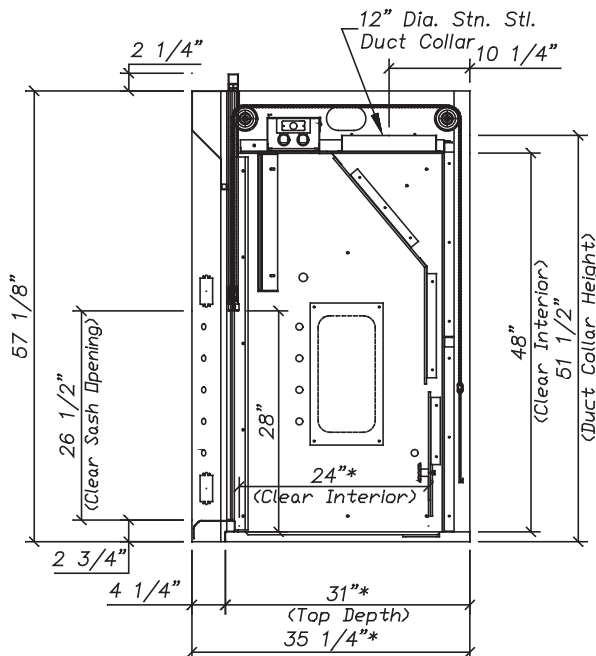
F-100-96G5 - 96" BENCH FUME HOOD



F-101 Bench – Combination Sash

The ISOLATOR bench hood with a combination sash is the result of extensive research and development to produce the industry’s safest, most adaptable fume hood. It provides superior energy savings via this functional design. The ISOLATOR’s design and construction enhances its value by providing:

- Unparalleled user safety
- Years of maintenance free service
- Unmatched ease of use
- Substantial energy savings via the sash configuration
- Unique design qualities for unlimited customization possibilities
- Field conversion between Constant Air Volume (CAV) and Variable Air Volume (VAV)
- Hoods available in “Knock Down” (KD) mode for transport and assembly in restricted areas



* NOTE: D30 HOOD DIMENSIONS: 30" (CLEAR INTERIOR)
37" (TOP DEPTH) / 41 1/4" (O.A. DEPTH)

F-101 Bench Features

- Unsurpassed containment (designed and tested to exceed ASHRAE 110-1995)
- Unique chain driven sash mechanism that comes with a lifetime warranty
- Galvanized Steel Pan Superstructure
- Transparent Viewpass bypass system
- Stainless steel air foil
- Offers the best features of both the vertical and horizontal sashes thus allowing flexible interior access while minimizing the sash opening for energy savings
- Full view stainless steel combination sash with 26 1/2" vertical opening
- Quality engineering ensures years of reliable service

F-100 Series – Isolator Bench Fume Hoods – Ordering Information

F-101 Bench Air Flow Data

Catalog Number	Duct Diameter	28" Vertical Open @ 100 FPM	18" Vertical Open @ 100 FPM	%50 Horizontal Open @ 100 FPM
F-101-48	1 : 10"	739 CFM @ .29 "SP	475 CFM @ .12 "SP	415 CFM @ .09 "SP
F-101-60	1 : 12"	972 CFM @ .27 "SP	625 CFM @ .11 "SP	549 CFM @ .09 "SP
F-101-72	1 : 12"	1206 CFM @ .42 "SP	775 CFM @ .17 "SP	692 CFM @ .14 "SP
F-101-96	2 : 10"	1672 CFM @ .37 "SP	1075 CFM @ .15 "SP	968 CFM @ .12 "SP
F-101-120	2 : 12"	2139 CFM @ .33 "SP	1375 CFM @ .14 "SP	1244 CFM @ .11 "SP
F-101-144	2 : 12"	2606 CFM @ .49 "SP	1675 CFM @ .20 "SP	1523 CFM @ .17 "SP

*50% Open may be achieved two ways: 1. Vertical Sash Open 14"; horizontal panels closed. 2. Vertical sash closed; horizontal panels full open

F-101 Bench Product Numbers

F-101-48	Bench 48"	Combo Sash	
F-101-48D30	Bench 48"	Combo Sash	30" Deep
F-101-60	Bench 60"	Combo Sash	
F-101-60D30	Bench 60"	Combo Sash	30" Deep
F-101-72	Bench 72"	Combo Sash	
F-101-72D30	Bench 72"	Combo Sash	30" Deep
F-101-96	Bench 96"	Combo Sash	
F-101-96D30	Bench 96"	Combo Sash	30" Deep
F-101-120	Bench 120"	Combo Sash	
F-101-120D30	Bench 120"	Combo Sash	30" Deep
F-101-144	Bench 144"	Combo Sash	
F-101-144D30	Bench 144"	Combo Sash	30" Deep

F-101 Bench Liner Options

White Polyglass is standard. Please see the Hood Liners section for available options.

F-101 Bench Electrical Options

Fascia is pre-punched with two electrical cutouts (four cutouts total). Please see the Electrical Fixtures section for available options.

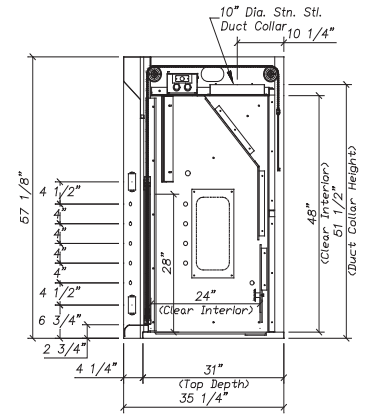
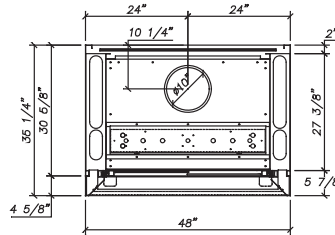
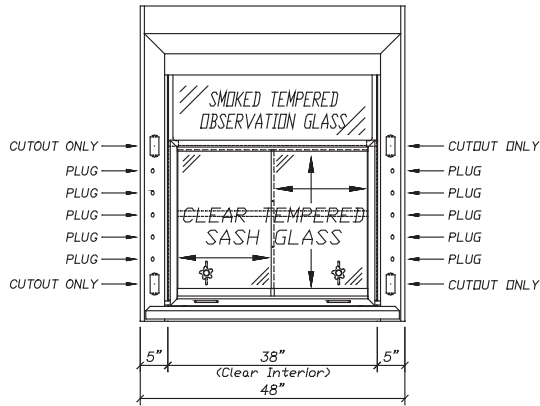
F-101 Bench Plumbing Fixtures

Fascia is pre-punched with five 3/4" dia. holes to accept rod driven remote fixtures (ten holes total). Please see the Plumbing Fixtures section for available options.

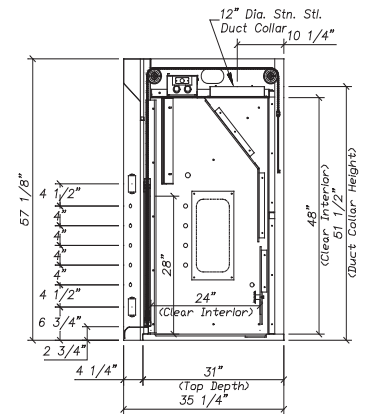
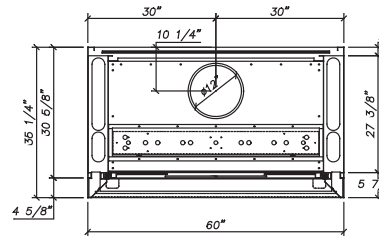
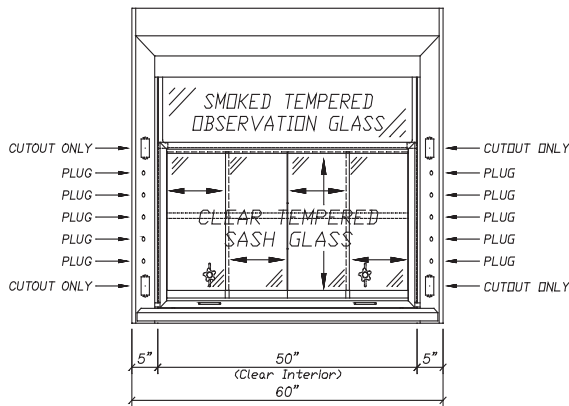
F-101 Bench Fume Hood Accessories

Please see the Fume Hood Accessories section for available options.

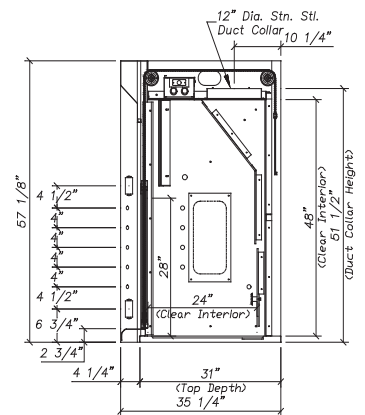
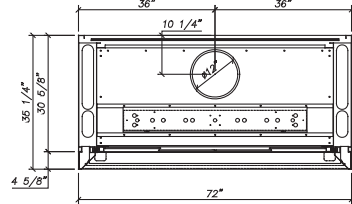
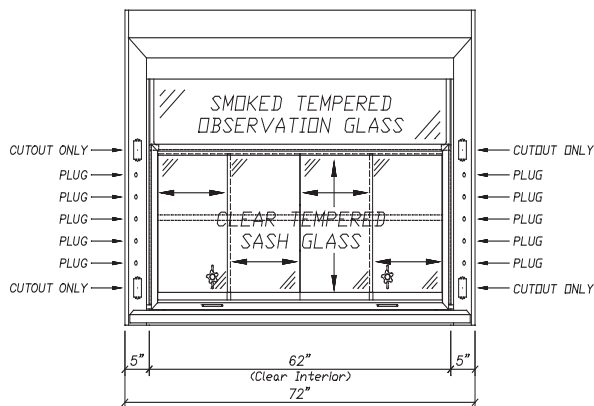
F-101-48 – 48" Bench Hood



F-101-60 – 60" Bench Hood

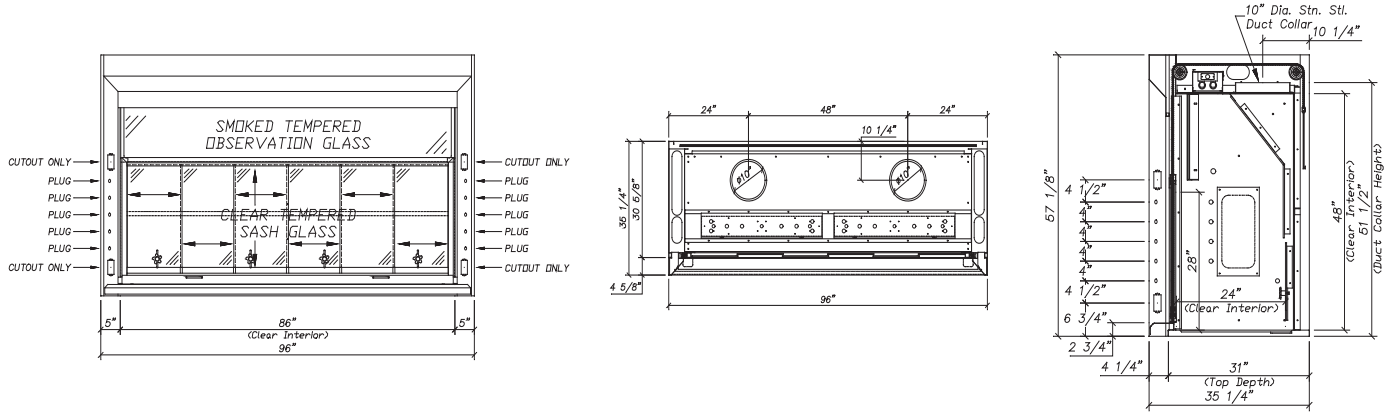


F-101-72 – 72" Bench Hood

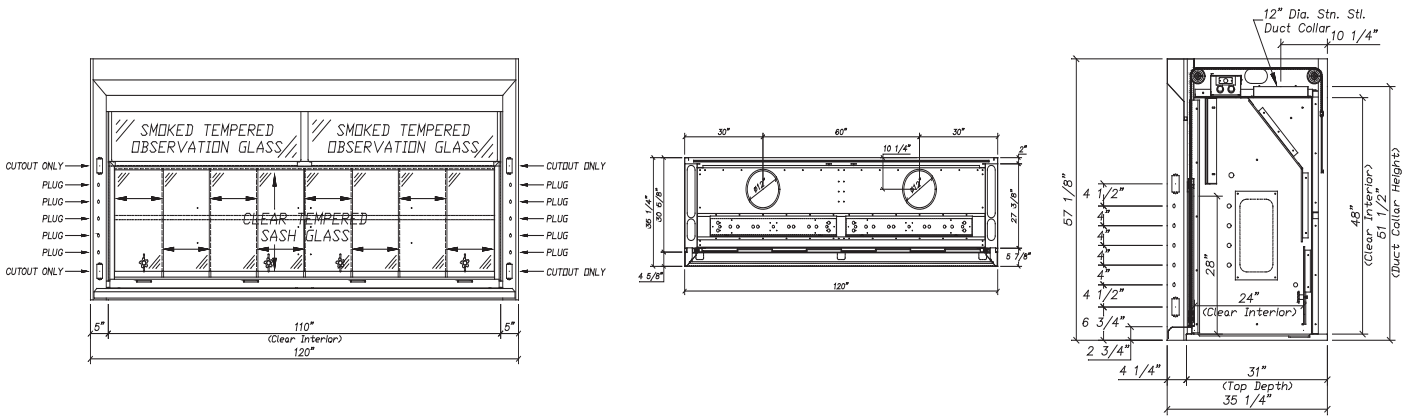


F-100 Series – Isolator Bench Fume Hoods – Product Dimensions

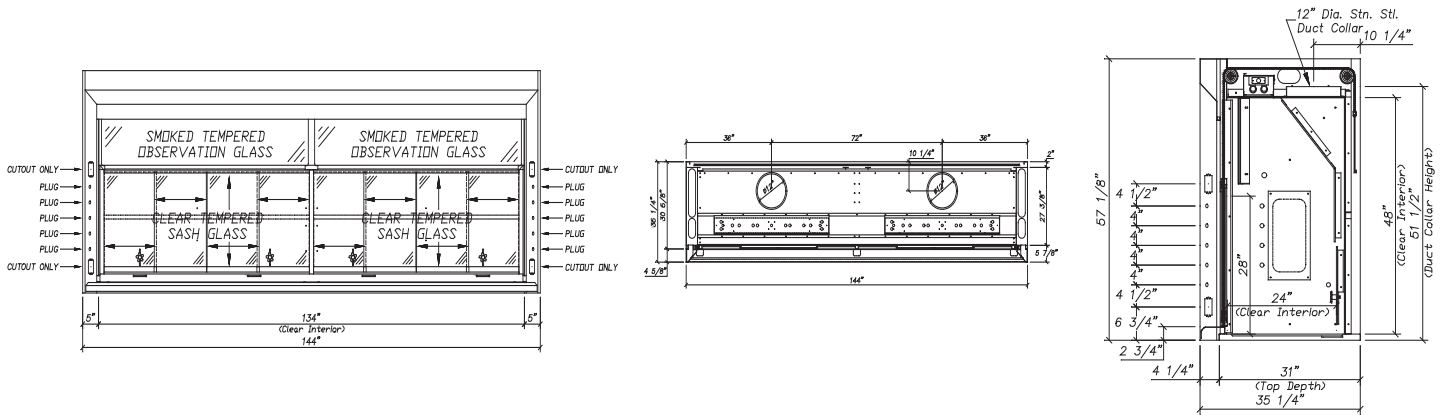
F-101-96 – 96" Bench Hood



F-101-120 – 120" Bench Hood

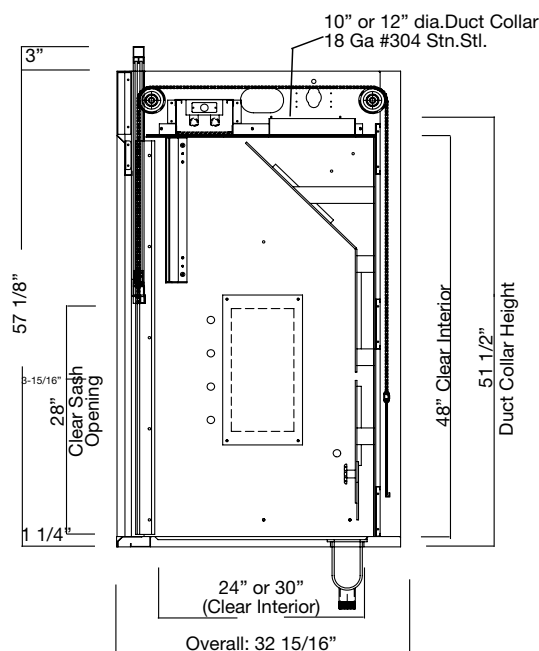
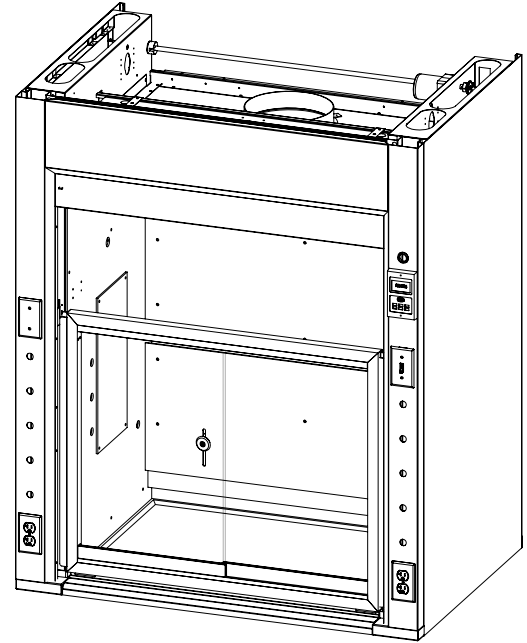


F-101-144 – 144" Bench Hood



ISOLATOR GENERATION-5 Bench Fume Hood is the result of extensive R & D, producing the industry's safest and most adaptable hoods. It provides superior energy savings via this functional design. Don't be fooled by its stylish appearance, it has an expansive interior view, superior containment capability, an exceptional design and industry leading construction. ISOLATOR GEN-5 hood's design and construction are further enhanced by:

- User safety is paramount
- Hood has higher sight lines through clear 17.25" H. observation glass panel; allowing for easy set-ups
- Constructed for years of maintenance-free service
- Industry leading design, yet still easy to use
- Numerous custom options possible
- Design allows field conversion between Constant Air Volume(CAV) and Variable Air Volume (VAV)
- Flush-face design
- Substantial energy savings via the sash configurations
- Hood is available in knock down (KD) mode for transport and assembly in confined or restricted areas



Note:
Counter Top Material:
29"D or 35"D

F-100 ISOLATOR GEN-5 Bench Hood Features

- Unsurpassed containment (designed and tested to exceed ASHRAE 110-1995)
- Hood is UL1805/CUL Certified listed
- Unique chain driven sash mechanism with a lifetime warranty
- Painted steel pan superstructure
- 17.25" H. Clear observation glass panel, bypass system
- Integral flush sill containment trough
- Ergonomic, painted sash handle and integral, painted, flush sill containment
- Vertical sashes provide the greatest hood interior access
- Full view combination sash with 28" H. opening
- Quality engineering ensures years of reliable service

F-101 Series – Isolator Gen-5 Bench Fume Hoods – Ordering Information

F-101 ISOLATOR GEN-5 Bench Air Flow Data

Catalog Number	Duct Diameter	28" Vertical Open @ 100 FPM	18" Vertical Open @ 100 FPM	%50 Horizontal Open @ 100 FPM
F-101-48G5	1 : 10"	739 CFM @ .29 "SP	475 CFM @ .12 "SP	415 CFM @ .09 "SP
F-101-60G5	1 : 12"	972 CFM @ .27 "SP	625 CFM @ .11 "SP	549 CFM @ .09 "SP
F-101-72G5	1 : 12"	1206 CFM @ .42 "SP	775 CFM @ .17 "SP	692 CFM @ .14 "SP
F-101-96G5	2 : 10"	1672 CFM @ .37 "SP	1075CFM @ .15 "SP	968 CFM @ .12 "SP

*50% Open may be achieved two ways: 1. Vertical Sash Open 14"; horizontal panels closed. 2. Vertical sash closed; horizontal panels full open

F-101 ISOLATOR GEN-5 Bench Product Numbers

F-101-48G5	Bench 48"	Combo Sash	24" Deep, Clear Interior
F-101-48G5D30	Bench 48"	Combo Sash	30" Deep, Clear Interior
F-101-60G5	Bench 60"	Combo Sash	24" Deep, Clear Interior
F-101-60G5D30	Bench 60"	Combo Sash	30" Deep, Clear Interior
F-101-72G5	Bench 72"	Combo Sash	24" Deep, Clear Interior
F-101-72G5D30	Bench 72"	Combo Sash	30" Deep, Clear Interior
F-101-96G5	Bench 96"	Combo Sash	24" Deep, Clear Interior
F-101-96G5D30	Bench 96"	Combo Sash	30" Deep, Clear Interior

F-101 GEN-5 Bench Liner Options

White Polyglass is standard. Please see the Hood Liners section for available options.

F-101 GEN-5 Bench Electrical Options

Fascia is pre-punched with two electrical cutouts (four cutouts total). Please see the Electrical Fixtures section for available options.

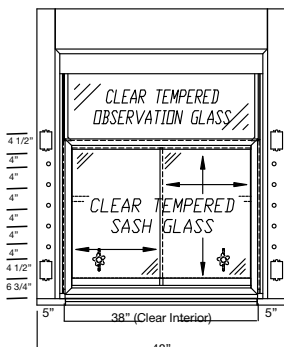
F-101 GEN-5 Bench Plumbing Fixtures

Fascia is pre-punched with five 3/4" dia. holes to accept rod driven remote fixtures (ten holes total). Please see the Plumbing Fixtures section for available options.

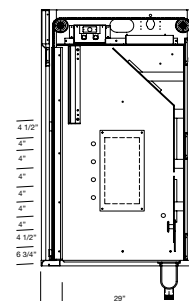
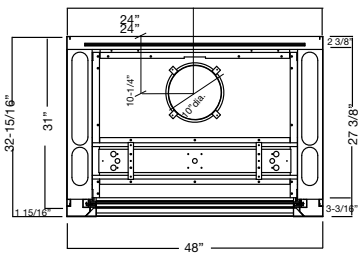
F-101 GEN-5 Bench Fume Hood Accessories

Please see the Fume Hood Accessories section for available options.

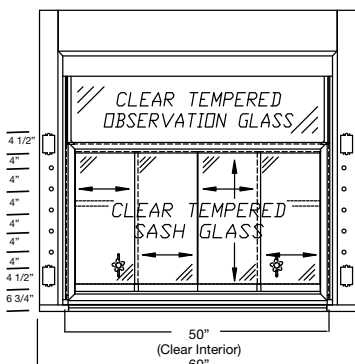
F-101-48G5 - 48" BENCH FUME HOOD



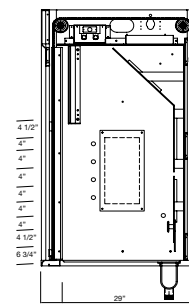
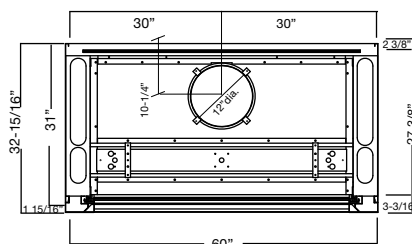
Note:
Counter Top Material:
29"D or 35"D



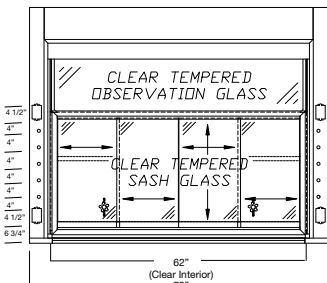
F-101-60G5 - 60" BENCH FUME HOOD



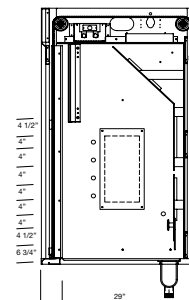
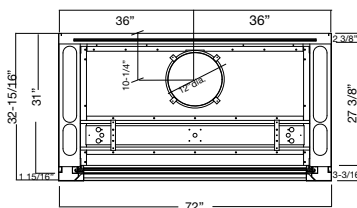
Note:
Counter Top Material:
29"D or 35"D



F-101-72G5 - 72" BENCH FUME HOOD

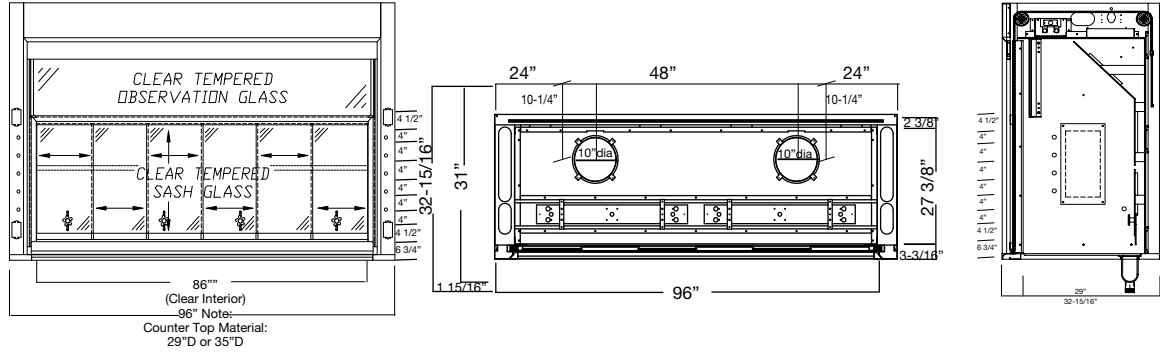


Note:
Counter Top Material:
29"D or 35"D



F-101 Series – Isolator Gen-5 Bench Fume Hoods – Product Dimensions

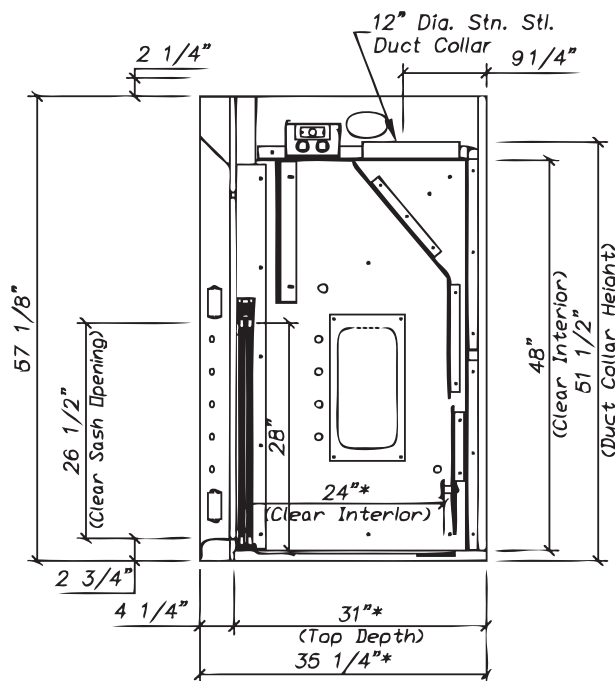
F-101-96G5 - 96" BENCH FUME HOOD



F-102 Bench Hood – Horizontal Sash

The ISOLATOR bench hood with the horizontal sash is the result of extensive research and development to produce the industry’s safest, most adaptable fume hood. It provides superior containment and significant energy saving qualities. The ISOLATOR’s design and construction enhances its value by providing:

- Unparalleled user safety
- Years of maintenance free service
- Unmatched ease of use
- Substantial energy savings via the sash configuration
- Unique design qualities for unlimited customization possibilities
- Field conversion between Constant Air Volume (CAV) and Variable Air Volume (VAV)
- Hoods available in “Knock Down” (KD) mode for transport and assembly in restricted areas



* NOTE: D30 HOOD DIMENSIONS: 30" (CLEAR INTERIOR)
37" (TOP DEPTH) / 41 1/4" (DIA. DEPTH)

F-102 Bench Hood Features

- Unsurpassed containment (designed and tested to exceed ASHRAE 110-1995)
- Galvanized Steel Pan Superstructure
- Transparent Viewpass bypass system
- Stainless steel air foil
- Maximum sash opening is 50% of a vertical sash which results in energy savings based on reduced exhaust CFM
- Full view stainless steel horizontal sash
- Quality engineering ensures years of reliable service

F-100 Series – Isolator Bench Fume Hoods – Ordering Information

F-102 Bench Hood Air Flow Data

Catalog Number	Duct Diameter	28" Vertical Open @ 100 FPM	18" Vertical Open @ 100 FPM	%50 Horizontal Open @ 100 FPM
F-102-48	1 : 10"	NA	NA	445 CFM @ .10 "SP
F-102-60	1 : 12"	NA	NA	572 CFM @ .09 "SP
F-102-72	1 : 12"	NA	NA	714 CFM @ .15 "SP
F-102-96	2 : 10"	NA	NA	984 CFM @ .13 "SP

F-102 Bench Hood Product Numbers

F-102-48	Bench 48"	Horizontal (2 trk)	
F-102-48D30	Bench 48"	Horizontal (2 trk)	30" Deep
F-102-60	Bench 60"	Horizontal (2 trk)	
F-102-60D30	Bench 60"	Horizontal (2 trk)	30" Deep
F-102-72	Bench 72"	Horizontal (2 trk)	
F-102-72D30	Bench 72"	Horizontal (2 trk)	30" Deep
F-102-96	Bench 96"	Horizontal (2 trk)	
F-102-96D30	Bench 96"	Horizontal (2 trk)	30" Deep

F-102 Bench Hood Liner Options

White Polyglass is standard. Please see the Hood Liners section for available options.

F-102 Bench Hood Electrical Options

Fascia is pre-punched with two electrical cutouts (four cutouts total). Please see the Electrical Fixtures section for available options.

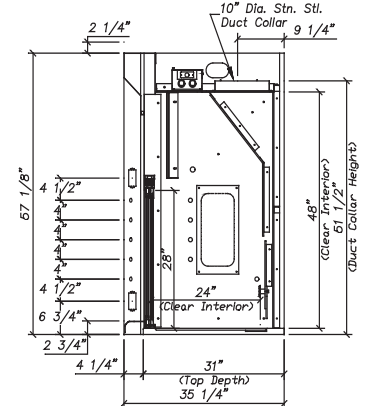
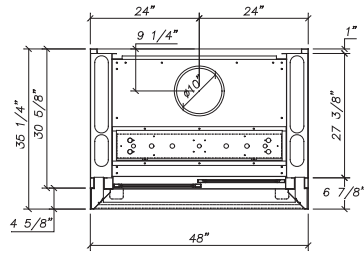
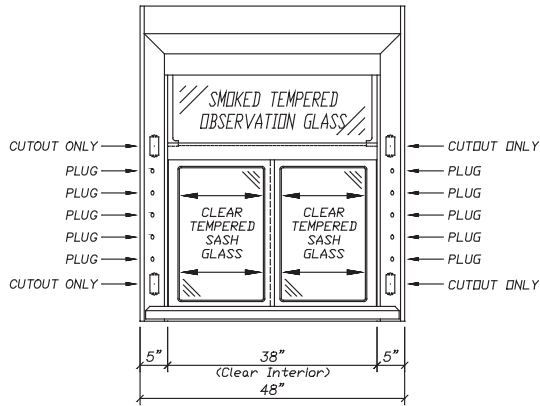
F-102 Bench Hood Plumbing Fixtures

Fascia is pre-punched with five 3/4" dia. holes to accept rod driven remote fixtures (ten holes total). Please see the Plumbing Fixtures section for available options.

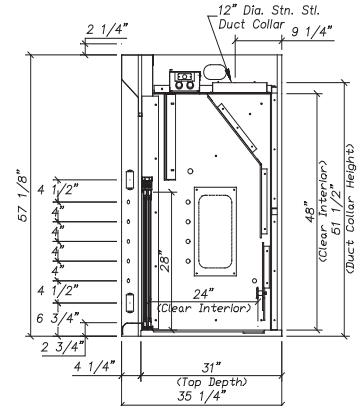
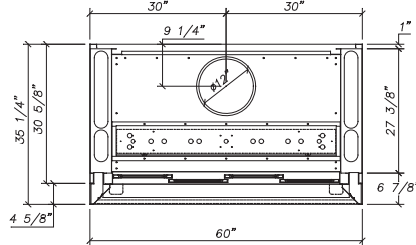
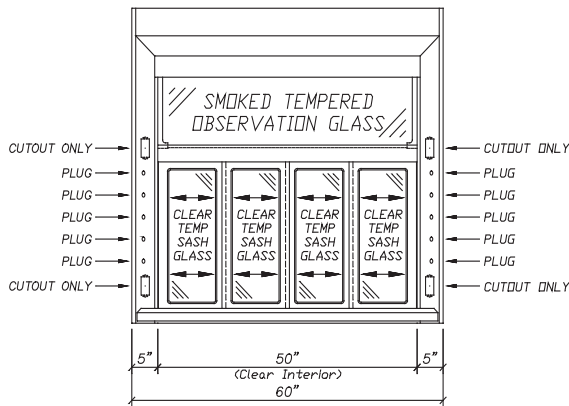
F-102 Bench Hood Fume Hood Accessories

Please see the Fume Hood Accessories section for available options.

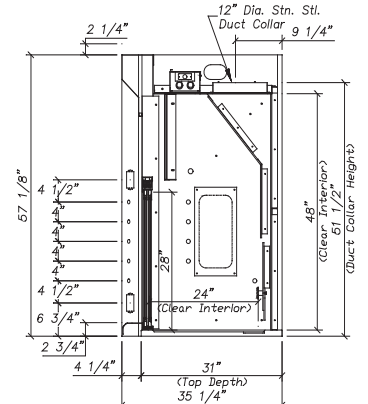
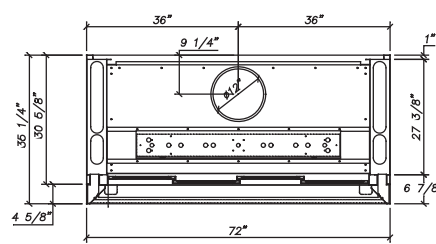
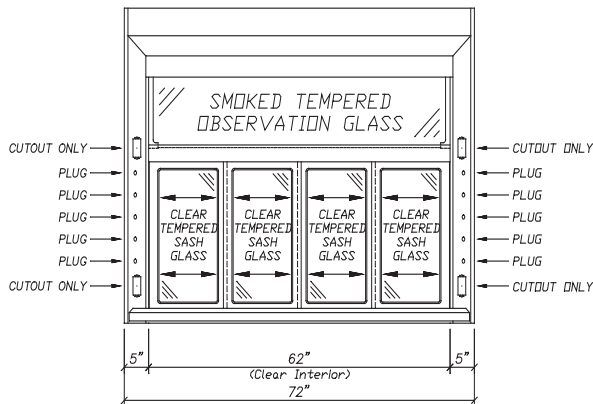
F-102-48 – 48" Bench Hood



F-102-60 – 60" Bench Hood

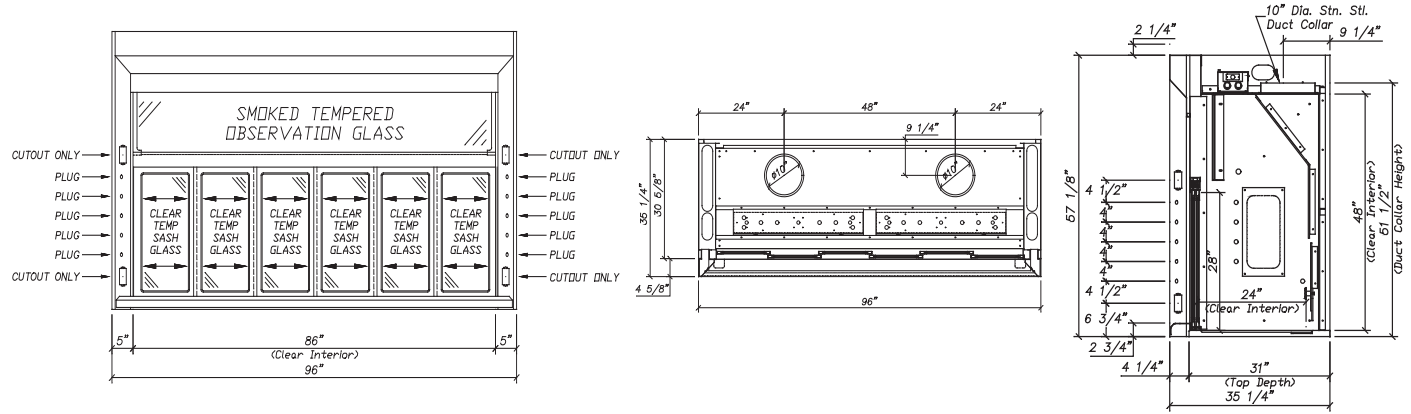


F-102-72 – 72" Bench Hood



F-100 Series – Isolator Bench Fume Hoods – Product Dimensions

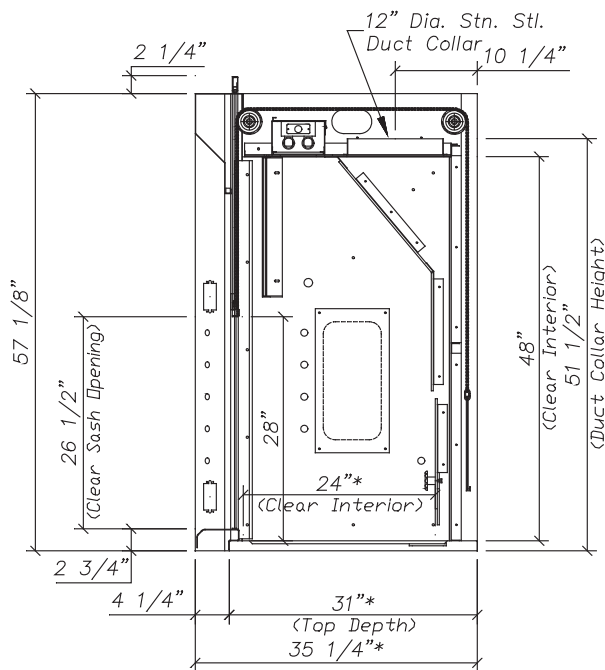
F-102-96 – 96" Bench Hood



F-103 Bench Hood – Framed Vertical Sash

The ISOLATOR bench hood with the framed vertical sash is the result of extensive research and development to produce the industry's safest, most adaptable fume hood. It provides an expansive interior view along with the more traditional framed look. The ISOLATOR's design and construction enhances its value by providing:

- Unparalleled user safety
- Full hood access for easy set ups
- Years of maintenance free service
- Unmatched ease of use
- Unique design qualities for unlimited customization possibilities
- Field conversion between Constant Air Volume (CAV) and Variable Air Volume (VAV)
- Hoods available in "Knock Down" (KD) mode for transport and assembly in restricted areas



* NOTE: D30 HOOD DIMENSIONS: 30" (CLEAR INTERIOR)
37" (TOP DEPTH) / 41 1/4" (O.A. DEPTH)

F-103 Bench Hood Features

- Unsurpassed containment (designed and tested to exceed ASHRAE 110-1995)
- Unique chain driven sash mechanism that comes with a lifetime warranty
- Galvanized Steel Pan Superstructure
- Transparent Viewpass bypass system
- Stainless steel air foil
- Vertical sashes provide the greatest hood interior access
- Full view stainless steel framed sash with 26 1/2" opening
- Quality engineering ensures years of reliable service

F-100 Series – Isolator Bench Fume Hoods – Ordering Information

F-103 Bench Hood Air Flow Data

Catalog Number	Duct Diameter	28" Vertical Open @ 100 FPM	18" Vertical Open @ 100 FPM
F-103-36	1 : 10"	506 CFM @ .14 "SP	325 CFM @ .06 "SP
F-103-48	1 : 10"	739 CFM @ .29 "SP	475 CFM @ .12 "SP
F-103-60	1 : 12"	972 CFM @ .27 "SP	625 CFM @ .11 "SP
F-103-72	1 : 12"	1206 CFM @ .42 "SP	775 CFM @ .17 "SP
F-103-96	2 : 10"	1672 CFM @ .37 "SP	1075 CFM @ .15 "SP
F-103-120	2 : 12"	2139 CFM @ .33 "SP	1375 CFM @ .14 "SP
F-103-144	2 : 12"	2606 CFM @ .49 "SP	1675 CFM @ .20 "SP

F-103 Bench Hood Product Numbers

F-103-36	Bench 36"	Framed Sash	
F-103-36D30	Bench 36"	Framed Sash	30" Deep
F-103-48	Bench 48"	Framed Sash	
F-103-48D30	Bench 48"	Framed Sash	30" Deep
F-103-60	Bench 60"	Framed Sash	
F-103-60D30	Bench 60"	Framed Sash	30" Deep
F-103-72	Bench 72"	Framed Sash	
F-103-72D30	Bench 72"	Framed Sash	30" Deep
F-103-96	Bench 96"	Framed Sash	
F-103-96D30	Bench 96"	Framed Sash	30" Deep
F-103-120	Bench 120"	Framed Sash	
F-103-120D30	Bench 120"	Framed Sash	30" Deep
F-103-144	Bench 144"	Framed Sash	
F-103-144D30	Bench 144"	Framed Sash	30" Deep

F-103 Bench Hood Liner Options

White Polyglass is standard. Please see the Hood Liners section for available options.

F-103 Bench Hood Electrical Options

Fascia is pre-punched with two electrical cutouts (four cutouts total). Please see the Electrical Fixtures section for available options.

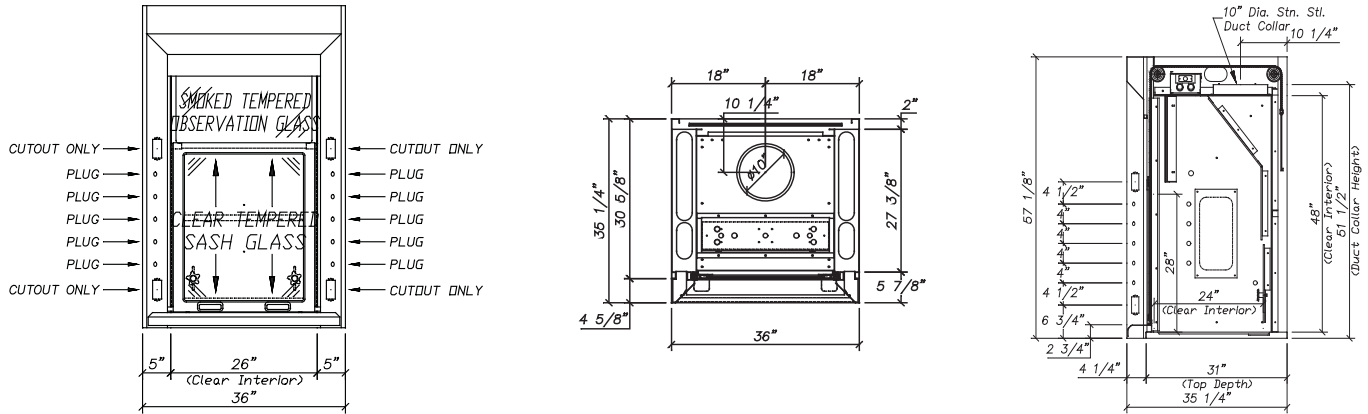
F-103 Bench Hood Plumbing Fixtures

Fascia is pre-punched with five 3/4" dia. holes to accept rod driven remote fixtures (ten holes total). Please see the Plumbing Fixtures section for available options.

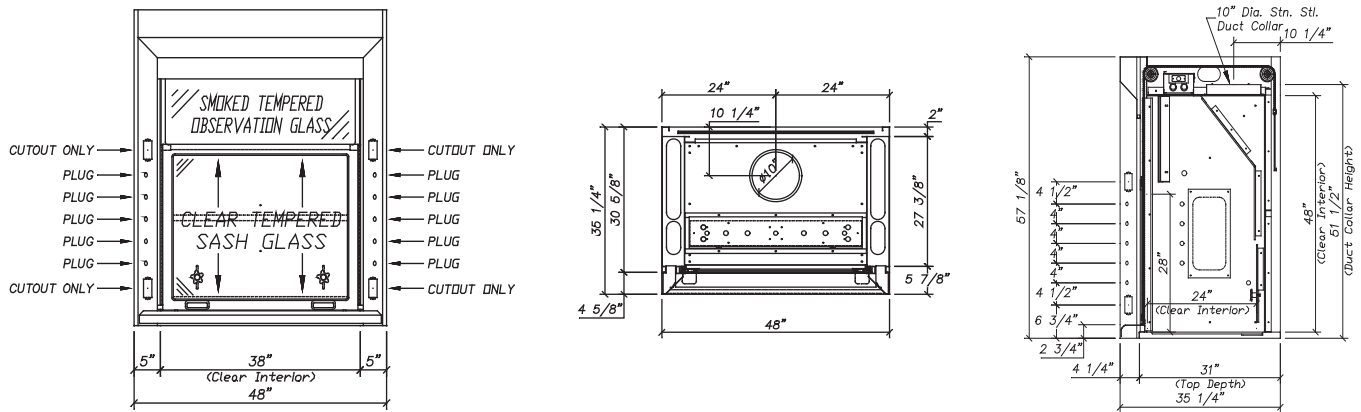
F-103 Bench Hood Fume Hood Accessories

Please see the Fume Hood Accessories section for available options.

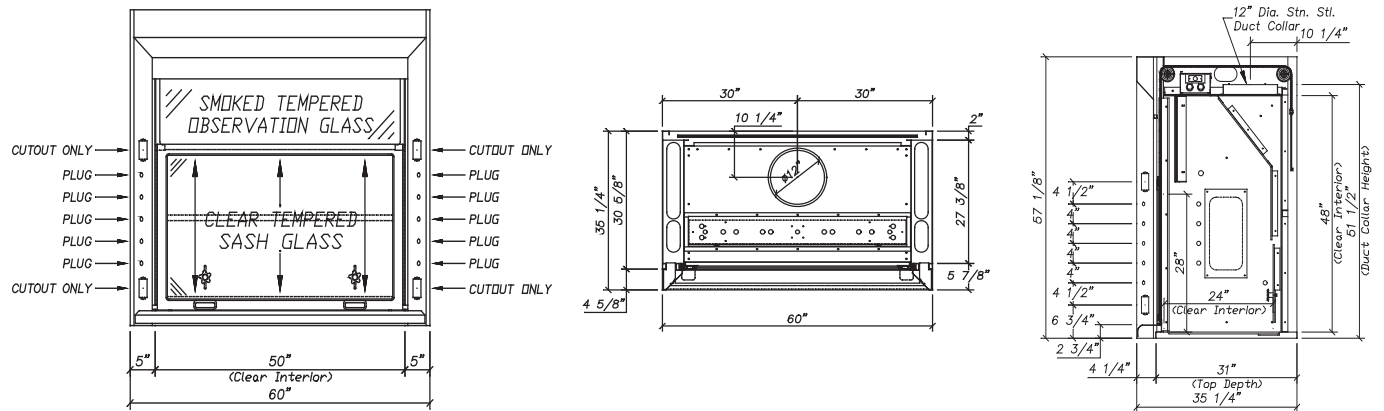
F-103-36 – 36" Bench Hood



F-103-48 – 48" Bench Hood

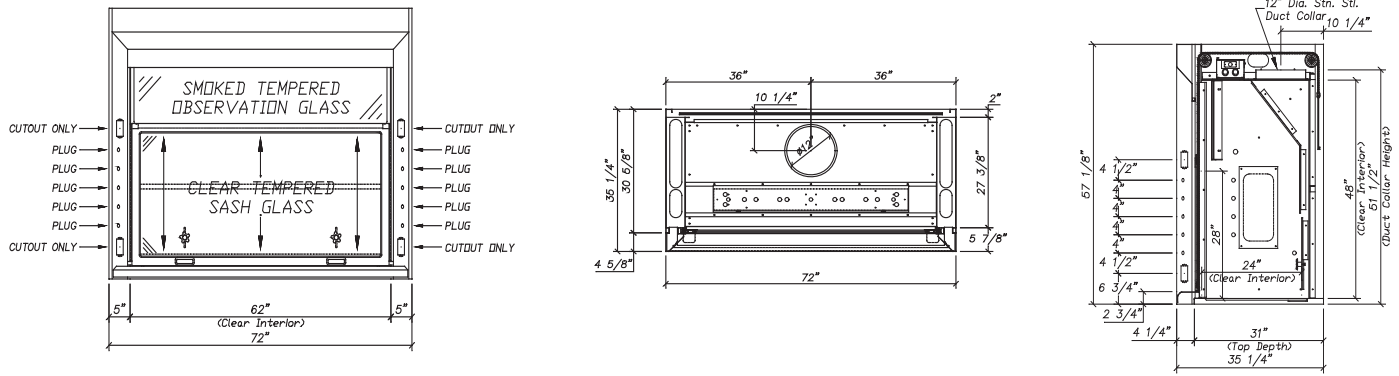


F-103-60 – 60" Bench Hood

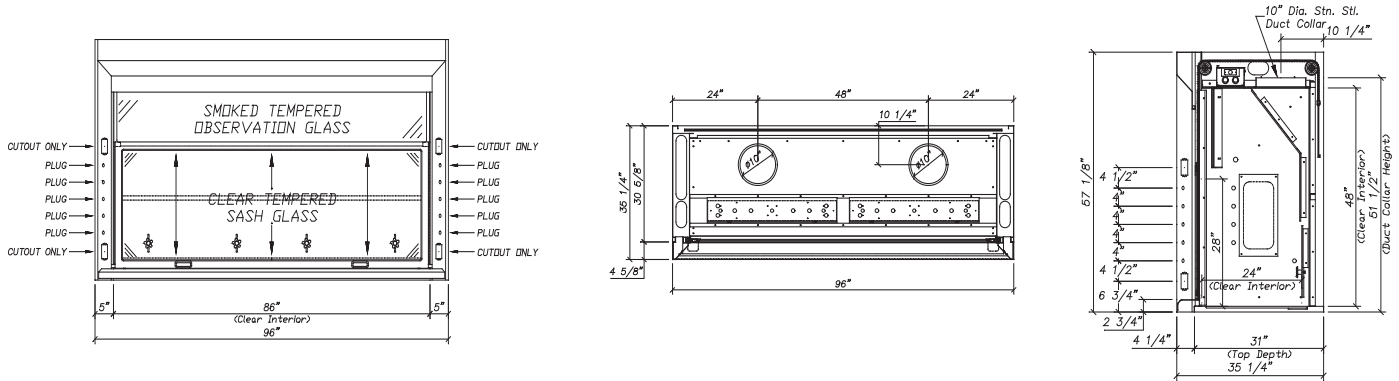


F-100 Series – Isolator Bench Fume Hoods – Product Dimensions

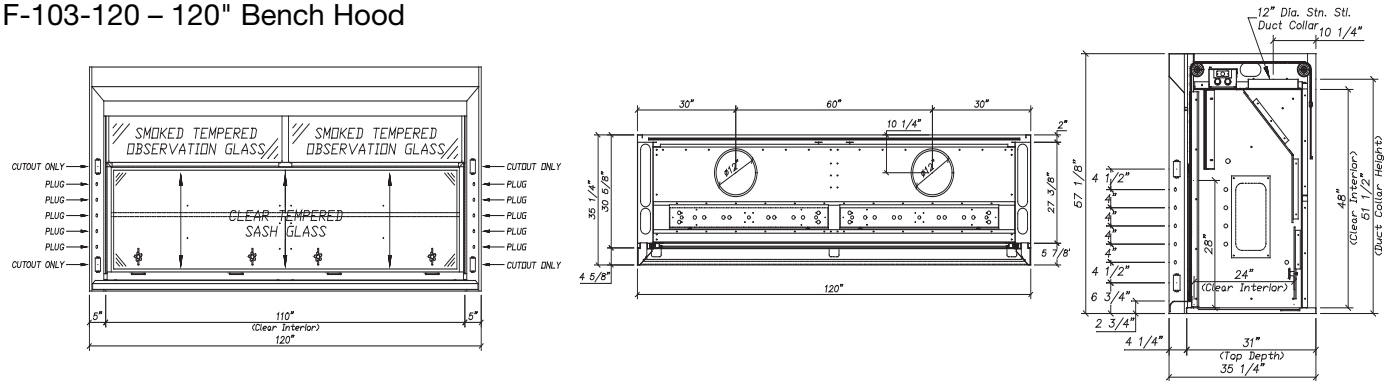
F-103-72 – 72" Bench Hood



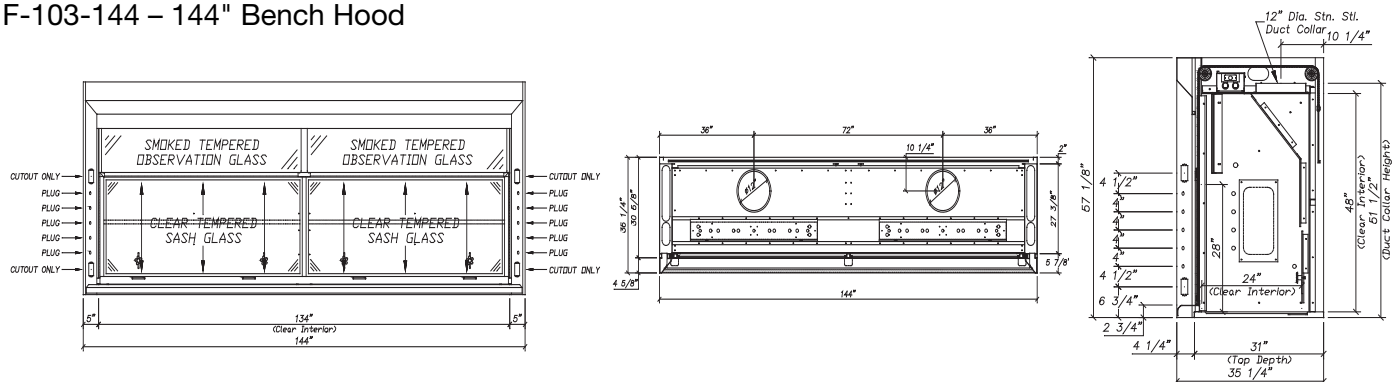
F-103-96 – 96" Bench Hood



F-103-120 – 120" Bench Hood



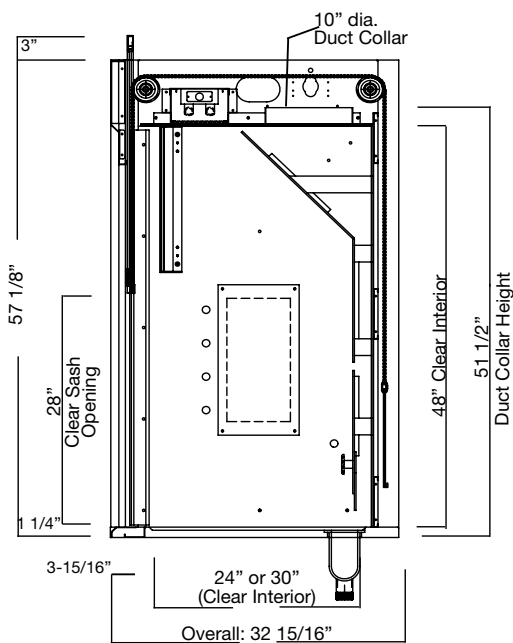
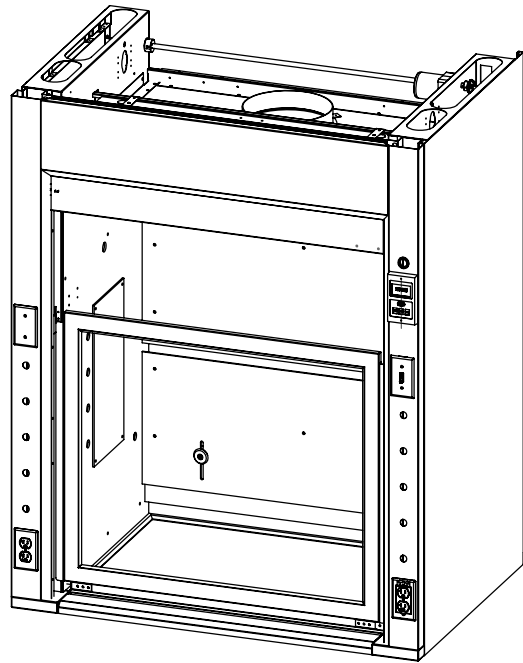
F-103-144 – 144" Bench Hood



F-103 ISOLATOR GEN-5 Bench Hood – Framed Vertical Sash

ISOLATOR GENERATION-5 Bench Fume Hood is the result of extensive R & D, producing the industry’s safest and most adaptable hoods. It provides superior energy savings via this functional design. Don’t be fooled by its stylish appearance, it has an expansive interior view, superior containment capability, an exceptional design and industry leading construction. ISOLATOR GEN-5 hood’s design and construction are further enhanced by:

- User safety is paramount
- Hood has higher sight lines through clear 17.25”H. observation glass panel; allowing for easy set-ups
- Constructed for years of maintenance-free service
- Industry leading design, yet still easy to use
- Numerous custom options possible
- Design allows field conversion between Constant Air Volume(CAV) and Variable Air Volume (VAV)
- Flush-face design
- Substantial energy savings via the sash configurations
- Hood is available in knock down (KD) mode for transport and assembly in confined or restricted areas



Note:
Counter Top Material:
29”D or 35”D

F-100 ISOLATOR GEN-5 Bench Hood Features

- Unsurpassed containment (designed and tested to exceed ASHRAE 110-1995)
- Hood is UL1805/CUL Certified listed
- Unique chain driven sash mechanism with a lifetime warranty
- Painted steel pan superstructure
- 17.25” H. Clear observation glass panel, bypass system
- Integral flush sill containment trough
- Ergonomic, painted sash handle and integral, painted, flush sill containment
- Vertical sashes provide the greatest hood interior access
- Full view framed sash with 28” H. opening
- Quality engineering ensures years of reliable service

F-100 Series – Isolator Bench Fume Hoods – Ordering Information

F-103 ISOLATOR GEN-5 Bench Fume Hood – Ordering Information

F-103 GEN-5 Bench Hood Air Flow Data

Catalog Number	Duct Diameter	28" Vertical Open @ 100 FPM	18" Vertical Open @ 100 FPM
F-103-36G5	1 : 10"	506 CFM @ .14 "SP	325 CFM @ .06 "SP
F-103-48G5	1 : 10"	739 CFM @ .29 "SP	475 CFM @ .12 "SP
F-103-60G5	1 : 12"	972 CFM @ .27 "SP	625 CFM @ .11 "SP
F-103-72G5	1 : 12"	1206 CFM @ .42 "SP	775 CFM @ .17 "SP
F-103-96G5	2 : 10"	1672 CFM @ .37 "SP	1075 CFM @ .15 "SP

F-103 GEN-5 Bench Hood Product Numbers

F-103-36G5	Bench 36"	Framed Sash	24" Deep, Clear Interior
F-103-36G5D30	Bench 36"	Framed Sash	30" Deep, Clear Interior
F-103-48G5	Bench 48"	Framed Sash	24" Deep, Clear Interior
F-103-48G5D30	Bench 48"	Framed Sash	30" Deep, Clear Interior
F-103-60G5	Bench 60"	Framed Sash	24" Deep, Clear Interior
F-103-60G5D30	Bench 60"	Framed Sash	30" Deep, Clear Interior
F-103-72G5	Bench 72"	Framed Sash	24" Deep, Clear Interior
F-103-72G5D30	Bench 72"	Framed Sash	30" Deep, Clear Interior
F-103-96G5	Bench 96"	Framed Sash	24" Deep, Clear Interior
F-103-96G5D30	Bench 96"	Framed Sash	30" Deep, Clear Interior

F-103 GEN-5 Bench Hood Liner Options

White Polyglass is standard. Please see the Hood Liners section for available options.

F-103 GEN-5 Bench Hood Electrical Options

Fascia is pre-punched with two electrical cutouts (four cutouts total). Please see the Electrical Fixtures section for available options.

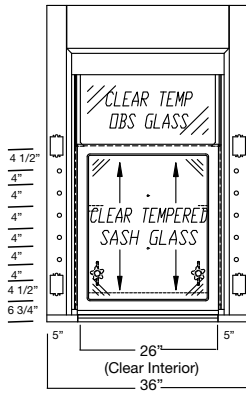
F-103 GEN-5 Bench Hood Plumbing Fixtures

Fascia is pre-punched with five 3/4" dia. holes to accept rod driven remote fixtures (ten holes total). Please see the Plumbing Fixtures section for available options.

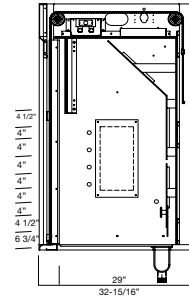
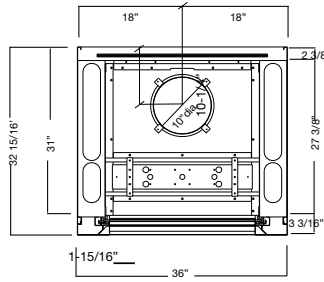
F-103 GEN-5 Bench Hood Fume Hood Accessories

Please see the Fume Hood Accessories section for available options.

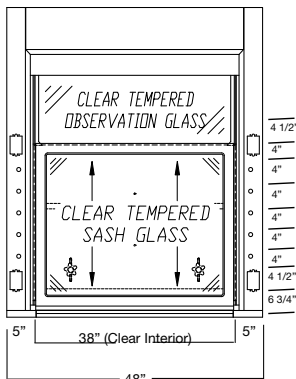
F-103-36G5 - 36" BENCH FUME HOOD



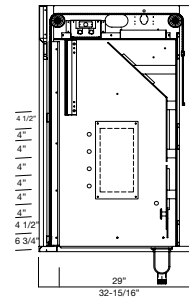
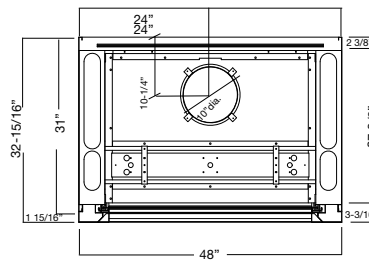
Note:
Counter Top Material:
29"D or 35"D



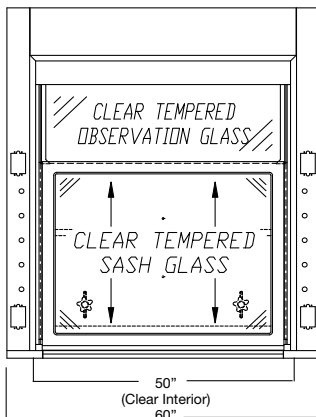
F-103-48G5 - 48" BENCH FUME HOOD



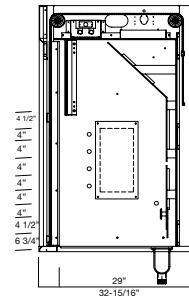
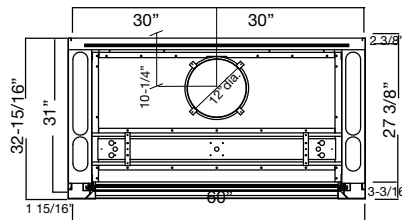
Note:
Counter Top Material:
29"D or 35"D



F-103-60G5 - 60" BENCH FUME HOOD

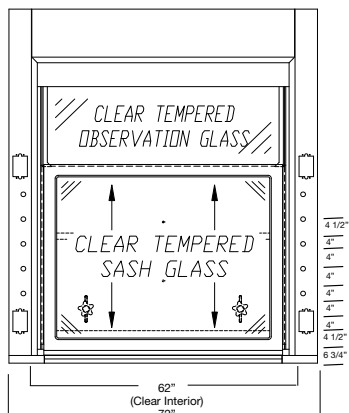


Note:
Counter Top Material:
29"D or 35"D

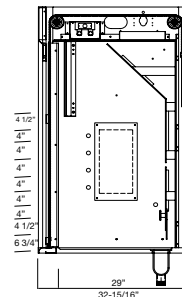
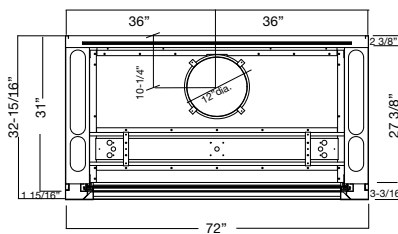


F-100 Series – Isolator Bench Fume Hoods – Product Features

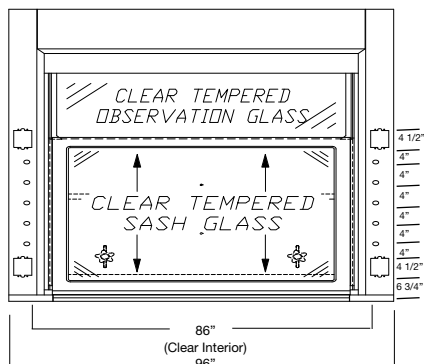
F-103-72G5 - 72" BENCH FUME HOOD



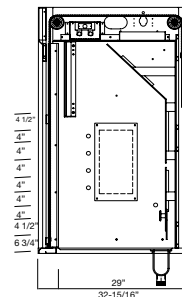
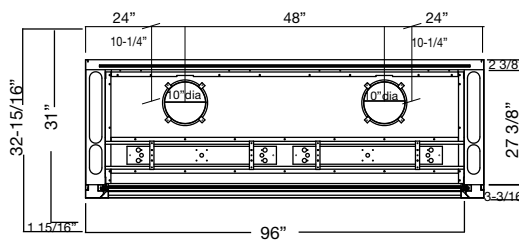
Note:
Counter Top Material:
29"D or 35"D



F-103-96G5 - 96" BENCH FUME HOOD



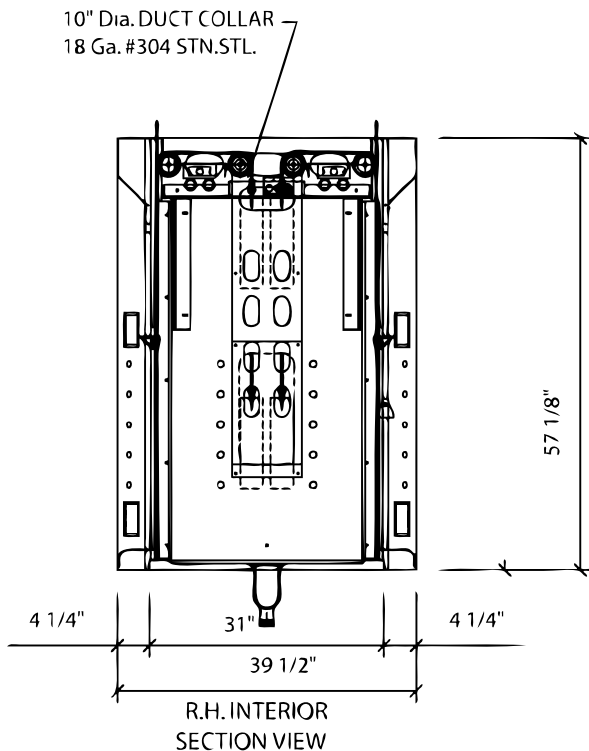
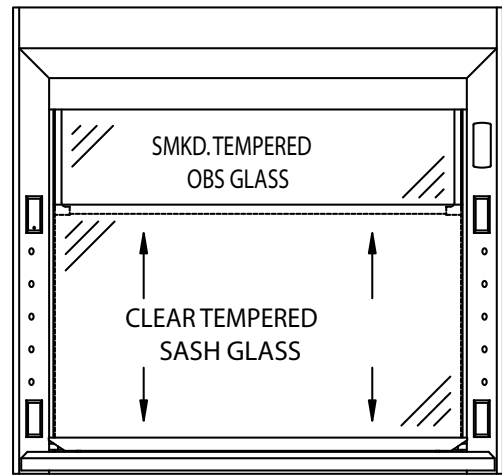
Note:
Counter Top Material:
29"D or 35"D



F-121 Bench – Framed Vertical Sash

The F-121 series of ISOLATOR fume hoods combine the features of a traditional Isolator bench hood with the added flexibility of double sided access. Dual rising sashes on either end allow easy access from both sides of the hood. A sash interlock, which allows only one sash to be raised at any given time, is standard on all F-121 models. Hoods may be plumbed and wired for use on both sides.

- Unparalleled user safety
- Full hood access for easy set ups
- Years of maintenance free service
- Unmatched ease of use
- Unique design qualities for unlimited customization possibilities
- Field conversion between Constant Air Volume (CAV) and Variable Air Volume (VAV)
- Hoods available in “Knock Down” (KD) mode for transport and assembly in restricted areas



F-121 Bench Features

- Unsurpassed containment (designed and tested to exceed ASHRAE 110-1995)
- Unique chain driven sash mechanism that comes with a lifetime warranty
- Galvanized Steel Pan Superstructure
- Transparent Viewpass bypass system
- Stainless steel air foil
- Aerodynamically designed Airplane wing style sash handle enhances the perimeter containment
- Vertical sashes provide the greatest hood interior access
- Full view frameless sash with 26 1/2" opening
- Quality engineering ensures years of reliable service
- Sash interlock system

F-100 Series – Isolator Bench Fume Hoods – Ordering Information

F-121 Bench Air Flow Data

Catalog Number	Duct Diameter	28" Vertical Open @ 100 FPM	18" Vertical Open @ 100 FPM
F-121-48	1 : 10"	844 CFM @ .38 "SP	581 CFM @ .18 "SP
F-121-60	1 : 12"	1111 CFM @ .36 "SP	764 CFM @ .17 "SP
F-121-72	1 : 12"	1378 CFM @ .55 "SP	947 CFM @ .26 "SP

*50% Open may be achieved two ways: 1. Vertical Sash Open 14"; horizontal panels closed. 2. Vertical sash closed; horizontal panels full open

F-121 Bench Product Numbers

F-121-48	Bench 48"	Frameless
F-121-60	Bench 60"	Frameless
F-121-72	Bench 72"	Frameless

F-121 Bench Liner Options

White Polyglass is standard. Please see the Hood Liners section for available options.

F-121 Bench Electrical Options

Fascia is pre-punched with two electrical cutouts (four cutouts total). Please see the Electrical Fixtures section for available options.

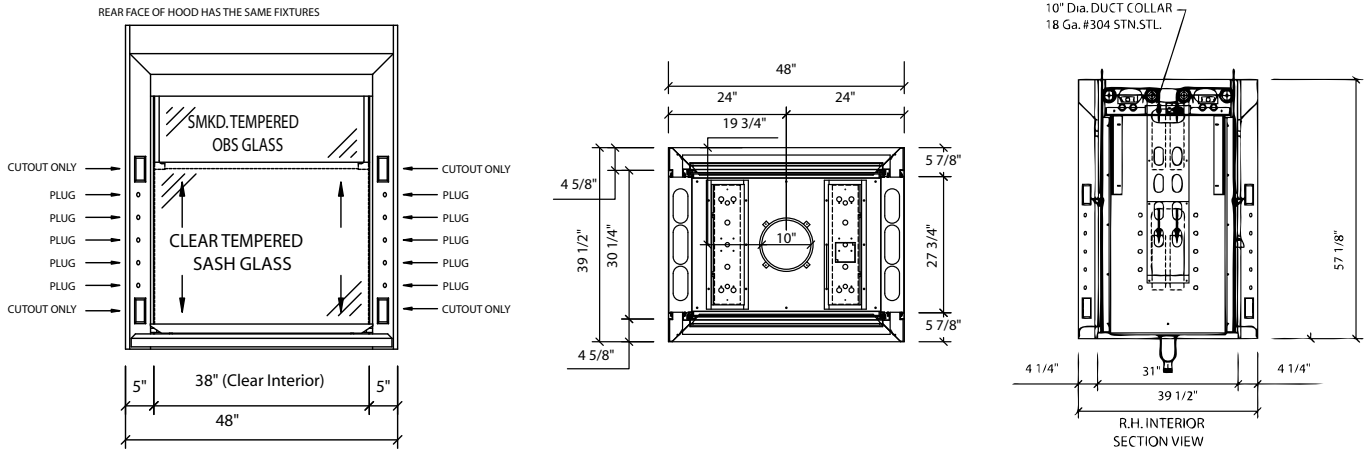
F-121 Bench Plumbing Fixtures

Fascia is pre-punched with five 3/4" dia. holes to accept rod driven remote fixtures (ten holes total). Please see the Plumbing Fixtures section for available options.

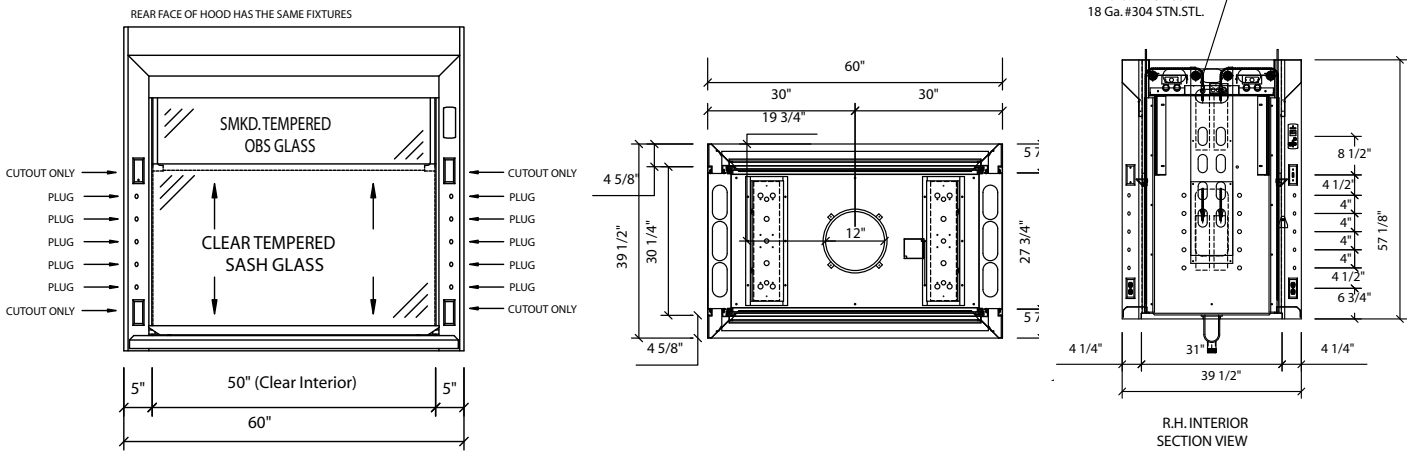
F-121 Bench Fume Hood Accessories

Please see the Fume Hood Accessories section for available options.

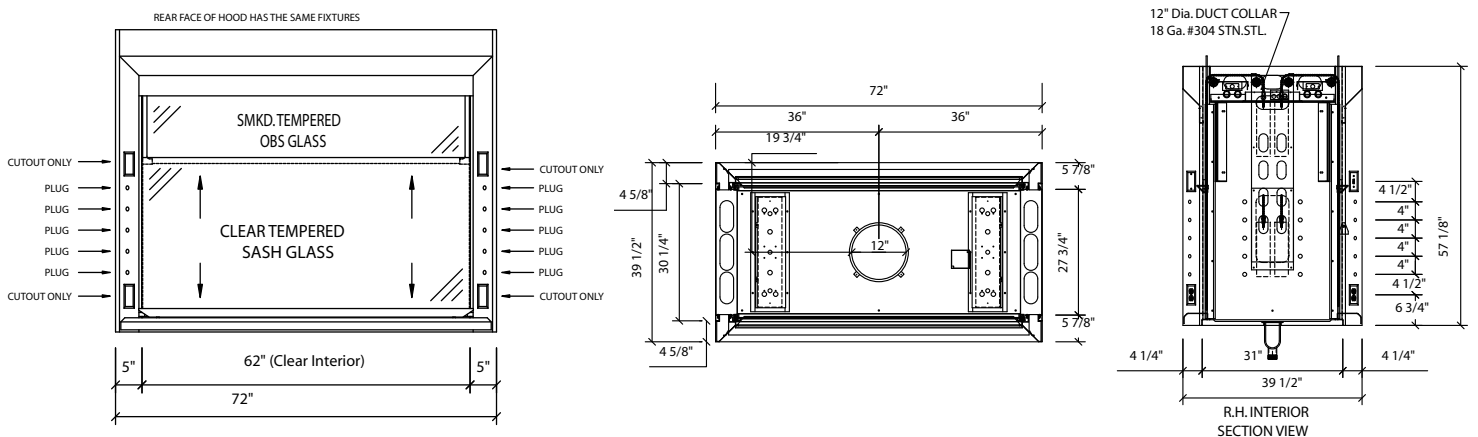
F-121-48 – 48" Bench Hood



F-121-60 – 60" Bench Hood



F-121-72 – 72" Bench Hood



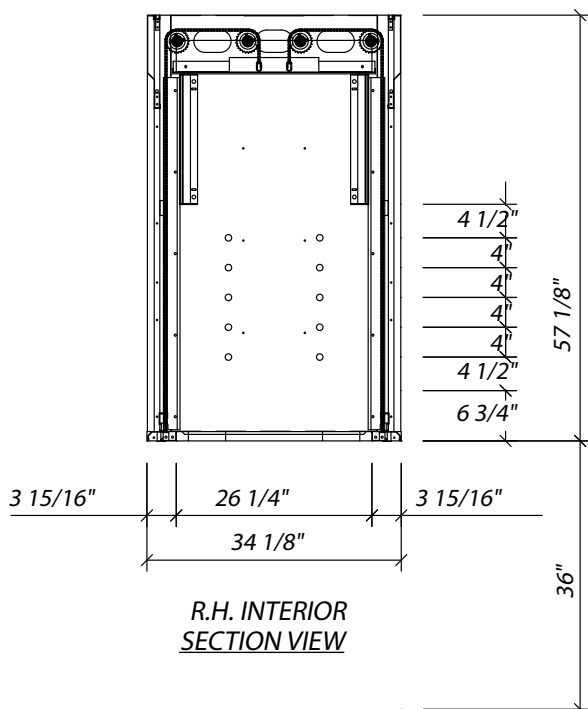
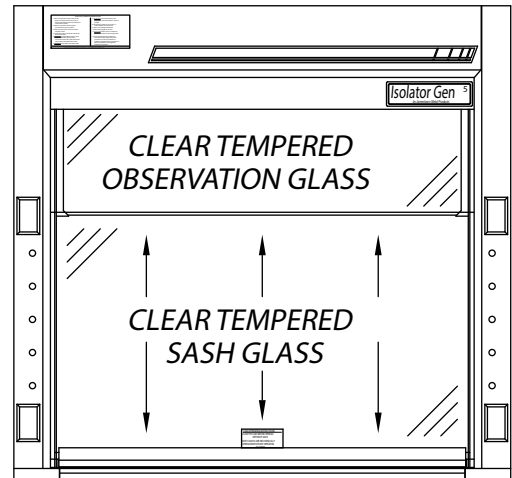


This page was intentionally left blank.

F-121 Isolator Gen-5 Bench Hoods – Frameless Vertical Sash

ISOLATOR GENERATION-5 Bench Fume Hood is the result of extensive R & D, producing the industry’s safest and most adaptable hoods. It provides superior energy savings via this functional design. Don’t be fooled by its stylish appearance, it has an expansive interior view, superior containment capability, an exceptional design and industry leading construction. ISOLATOR GEN-5 hood’s design and construction are further enhanced by:

- User safety is paramount
- Hood has higher sight lines through 17.25” H. clear observation glass panel; allowing for easy set-ups
- Constructed for years of maintenance-free service
- Industry leading design, yet still easy to use
- Numerous custom options possible
- Design allows field conversion between Constant Air Volume(CAV) and Variable Air Volume (VAV)
- Flush-face design
- Substantial energy savings via the sash configurations
- Hood is available in knock down (KD) mode for transport and assembly in confined or restricted areas



F-100 ISOLATOR GEN-5 Bench Hood Features

- Unsurpassed containment (designed and tested to exceed ASHRAE 110-1995)
- Hood is UL1805/CUL Certified listed
- Unique chain driven sash mechanism with a lifetime warranty
- Painted steel pan superstructure
- 17.25” H. Clear observation glass panel, bypass system
- Integral flush sill containment trough
- Ergonomic, painted sash handle and integral, painted, flush sill containment
- Vertical sashes provide the greatest hood interior access
- Full view frameless sash with 28” H. opening
- Quality engineering ensures years of reliable service

F-100 Series – Isolator Bench Fume Hoods – Ordering Information

F-121 GEN-5 Bench Air Flow Data

Catalog Number	Duct Diameter	28" Vertical Open @ 100 FPM	18" Vertical Open @ 100 FPM
F-121-48G5	1 : 10"	844 CFM @ .38 "SP	581 CFM @ .18 "SP
F-121-60G5	1 : 12"	1111 CFM @ .36 "SP	764 CFM @ .17 "SP
F-121-72G5	1 : 12"	1378 CFM @ .55 "SP	947 CFM @ .26 "SP

*50% Open may be achieved two ways: 1. Vertical Sash Open 14"; horizontal panels closed. 2. Vertical sash closed; horizontal panels full open

F-121 GEN5 Bench Product Numbers

F-121-48G5	Bench 48"	Frameless
F-121-60G5	Bench 60"	Frameless
F-121-72G5	Bench 72"	Frameless

F-121 GEN-5 Bench Liner Options

White Polyglass is standard. Please see the Hood Liners section for available options.

F-121 GEN-5 Bench Electrical Options

Fascia is pre-punched with two electrical cutouts (four cutouts total). Please see the Electrical Fixtures section for available options.

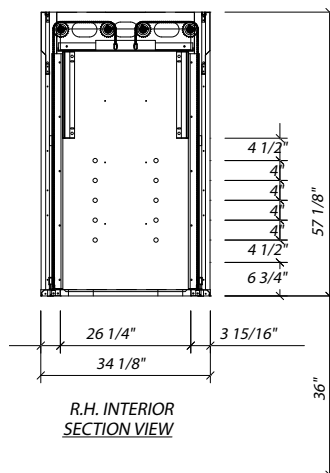
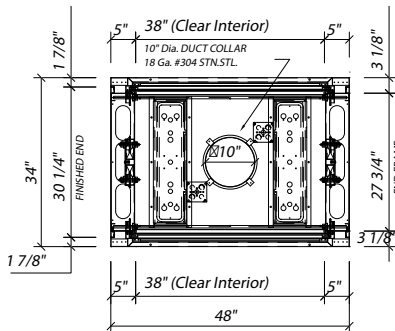
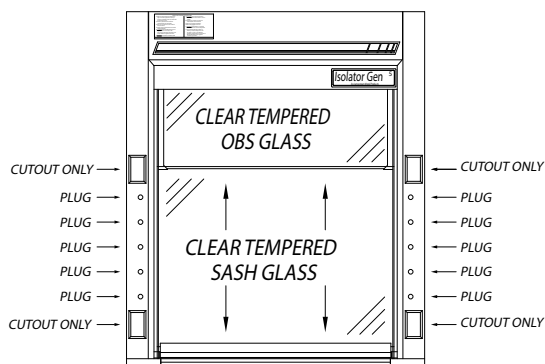
F-121 GEN-5 Bench Plumbing Fixtures

Fascia is pre-punched with five 3/4" dia. holes to accept rod driven remote fixtures (ten holes total). Please see the Plumbing Fixtures section for available options.

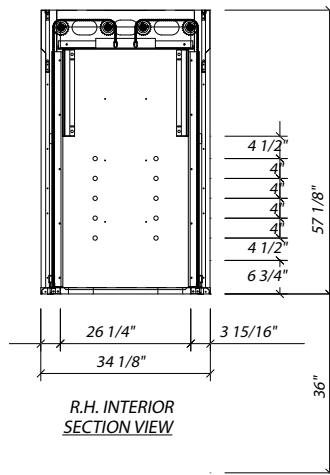
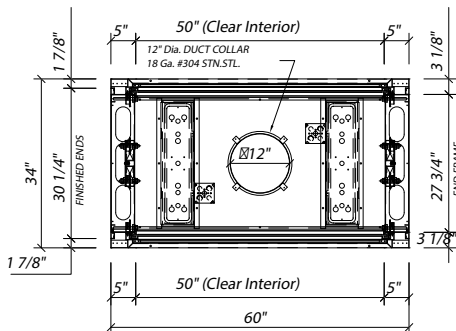
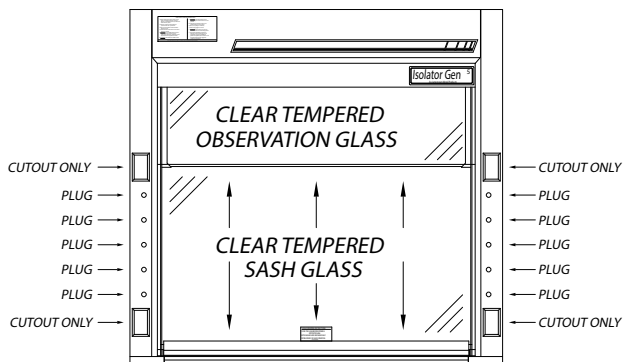
F-121 GEN-5 Bench Fume Hood Accessories

Please see the Fume Hood Accessories section for available options.

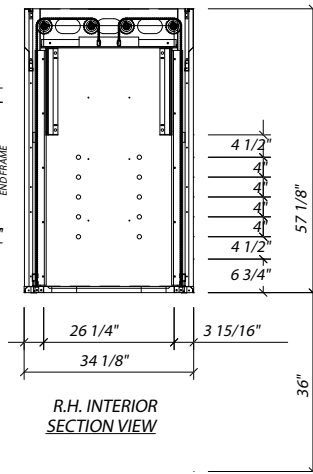
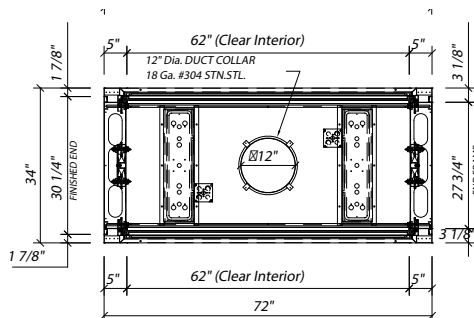
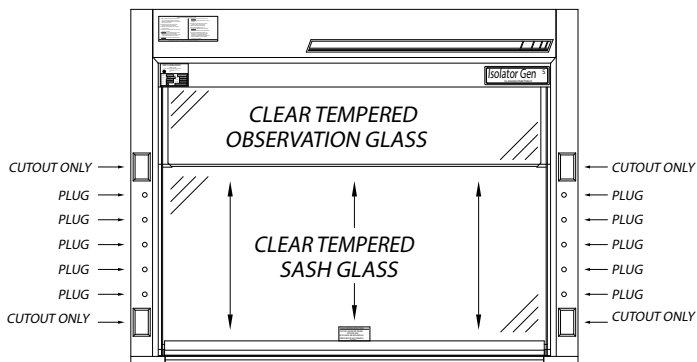
F-121-48G5 – 48" Bench Hood



F-121-60G5 – 60" Bench Hood



F-121-72G5 – 72" Bench Hood



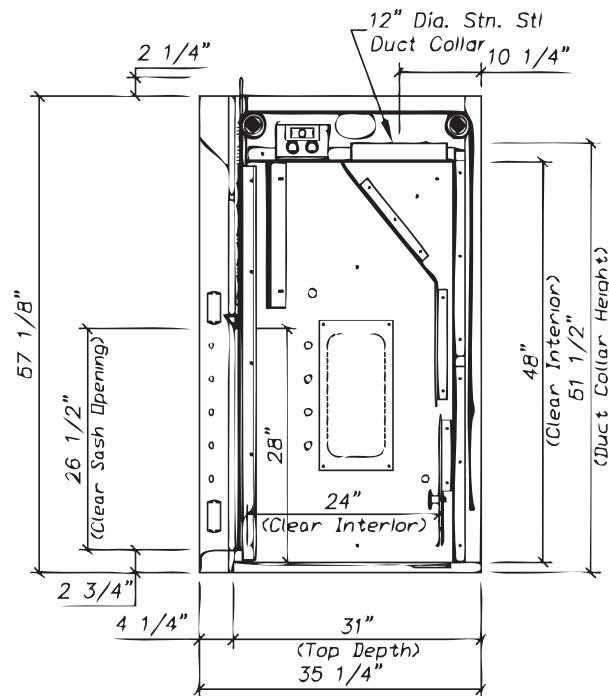


This page was intentionally left blank.

F-170 Bench/Fixed Center Post – Frameless Vertical Sash

The ISOLATOR fixed center post bench hood with a frameless vertical sash is the result of extensive research and development to produce the industry's safest, most adaptable fume hood. It has an expansive interior view, superior containment and functional design along with a stylish appearance. The ISOLATOR's design and construction enhances its value by providing:

- Unparalleled user safety
- Full hood access for easy set ups
- Years of maintenance free service
- Unmatched ease of use
- Unique design qualities for unlimited customization possibilities
- Field conversion between Constant Air Volume (CAV) and Variable Air Volume (VAV)
- Hoods available in "Knock Down" (KD) mode for transport and assembly in restricted areas



F-170 Bench/Fixed Center Post Features

- Unsurpassed containment (designed and tested to exceed ASHRAE 110-1995)
- Unique chain driven sash mechanism that comes with a lifetime warranty
- Galvanized Steel Pan Superstructure
- Transparent Viewpass bypass system
- Stainless steel air foil
- Aerodynamically designed Airplane wing style sash handle enhances the perimeter containment
- Vertical sashes provide the greatest hood interior access
- Full view frameless sash with 26 1/2" opening
- Quality engineering ensures years of reliable service

F-100 Series – Isolator Bench Fume Hoods – Ordering Information

F-170 Bench/Fixed Center Post Air Flow Data

Catalog Number	Duct Diameter	*28" Vertical Open @ 100 FPM	**18" Vertical Open @ 100 FPM
F-170-96	2 : 10"	1478 CFM @ .29 "SP	950 CFM @ .12 "SP
F-170-120	2 : 12"	1944 CFM @ .27 "SP	1250 CFM @ .11 "SP
F-170-144	2 : 12"	2411 CFM @ .42 "SP	1550 CFM @ .17 "SP

*Both sashes full open / **Both sashes 18" open

F-170 Bench/Fixed Center Post Product Numbers

F-170-96	Fixed Center Post Bench 96"	Frameless
F-170-120	Fixed Center Post Bench 120"	Frameless
F-170-144	Fixed Center Post Bench 144"	Frameless

F-170 Bench/Fixed Center Post Liner Options

White Polyglass is standard. Please see the Hood Liners section for available options.

F-170 Bench/Fixed Center Post Electrical Options

Fascia is pre-punched with two electrical cutouts (four cutouts total). Please see the Electrical Fixtures section for available options.

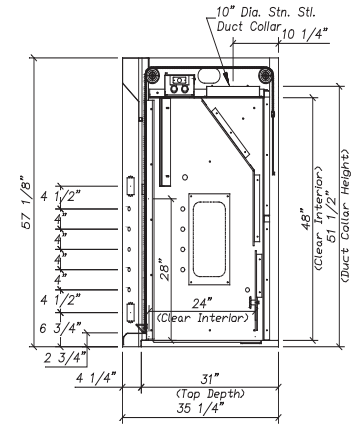
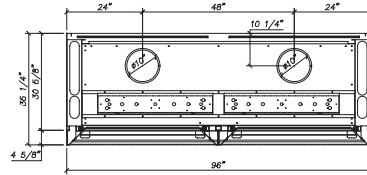
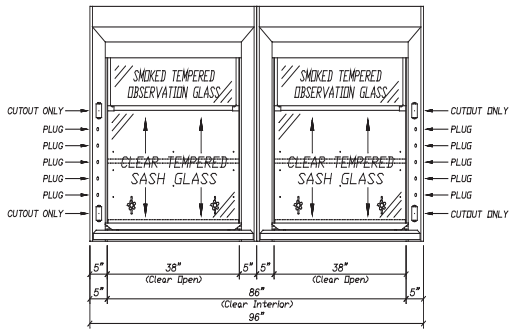
F-170 Bench/Fixed Center Post Plumbing Fixtures

Fascia is pre-punched with five 3/4" dia. holes to accept rod driven remote fixtures (ten holes total). Please see the Plumbing Fixtures section for available options.

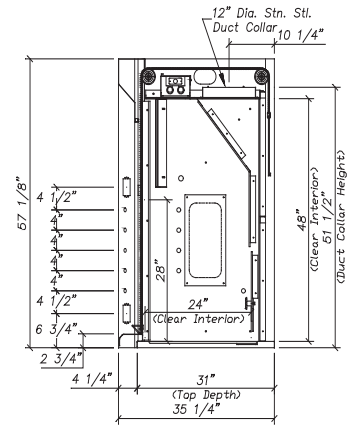
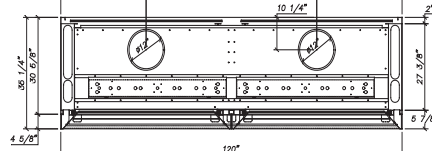
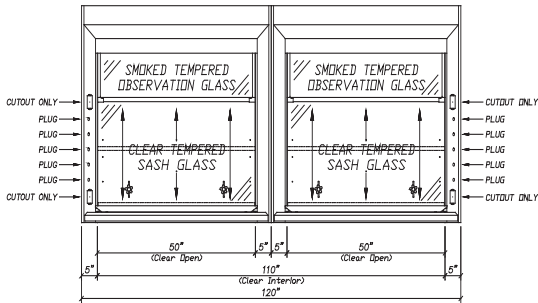
F-170 Bench/Fixed Center Post Fume Hood Accessories

Please see the Fume Hood Accessories section for available options.

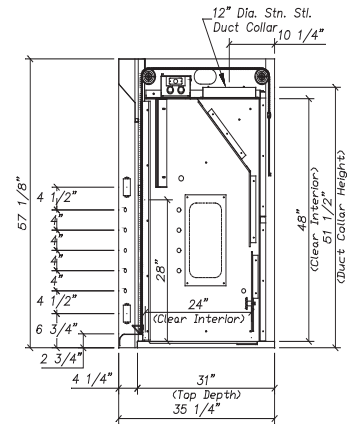
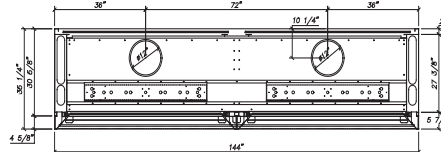
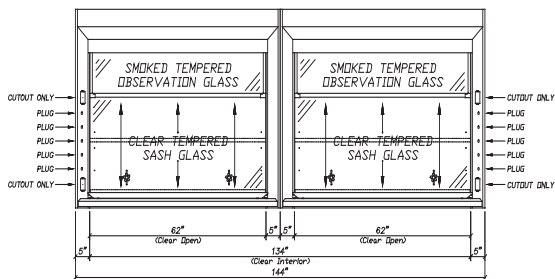
F-170-96 – 96" Bench/Fixed Center Post



F-170-120 – 120" Bench/Fixed Center Post



F-170-144 – 144" Bench/Fixed Center Post



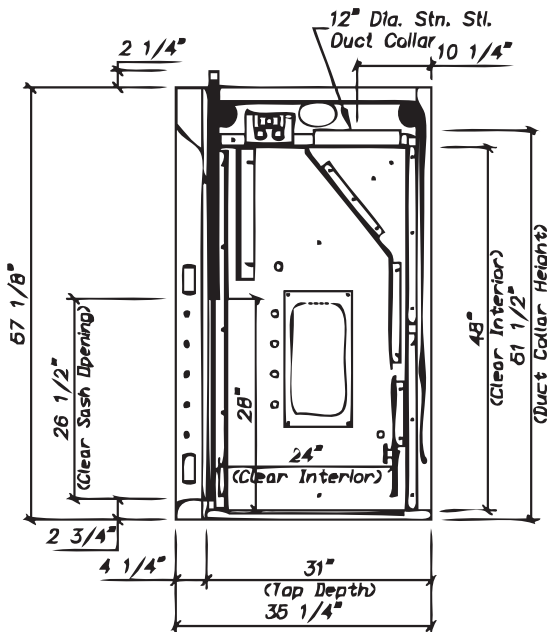


This page was intentionally left blank.

F-171 Bench/Fixed Center Post – Combination Sash

The ISOLATOR fixed center post bench hood with a combination sash is the result of extensive research and development to produce the industry’s safest, most adaptable fume hood. It provides superior energy savings via this functional design. The ISOLATOR’s design and construction enhances its value by providing:

- Unparalleled user safety
- Years of maintenance free service
- Unmatched ease of use
- Substantial energy savings via the sash configuration
- Unique design qualities for unlimited customization possibilities
- Field conversion between Constant Air Volume (CAV) and Variable Air Volume (VAV)
- Hoods available in “Knock Down” (KD) mode for transport and assembly in restricted areas



F-171 Bench/Fixed Center Post Features

- Unsurpassed containment (designed and tested to exceed ASHRAE 110-1995)
- Unique chain driven sash mechanism that comes with a lifetime warranty
- Galvanized Steel Pan Superstructure
- Transparent Viewpass bypass system
- Stainless steel air foil
- Offers the best features of both the vertical and horizontal sashes thus allowing flexible interior access while minimizing the sash opening for energy savings
- Full view stainless steel combination sash with 26 1/2" vertical opening
- Quality engineering ensures years of reliable service

F-100 Series – Isolator Bench Fume Hoods – Ordering Information

F-171 Bench/Fixed Center Post Air Flow Data

Catalog Number	Duct Diameter	28" Vertical Open @ 100 FPM	*18" Vertical Open @ 100 FPM	%50 Horizontal Open @ 100 FPM
F-171-96	2 : 10"	1478 CFM @ .29 "SP	950 CFM @ .12 "SP	831 CFM @ .09 "SP
F-171-120	2 : 12"	1944 CFM @ .27 "SP	1250 CFM @ .11 "SP	1098 CFM @ .09 "SP
F-171-144	2 : 12"	2411 CFM @ .42 "SP	1550 CFM @ .17 "SP	1384 CFM @ .14 "SP

*50% Open may be achieved two ways: 1. Vertical Sash Open 14"; horizontal panels closed. 2. Vertical sash closed; horizontal panels full open

F-171 Bench/Fixed Center Post Product Numbers

F-171-96	Fixed Center Post Bench 96"	Combination
F-171-120	Fixed Center Post Bench 120"	Combination
F-171-144	Fixed Center Post Bench 144"	Combination

F-171 Bench/Fixed Center Post Liner Options

White Polyglass is standard. Please see the Hood Liners section for available options.

F-171 Bench/Fixed Center Post Electrical Options

Fascia is pre-punched with two electrical cutouts (four cutouts total). Please see the Electrical Fixtures section for available options.

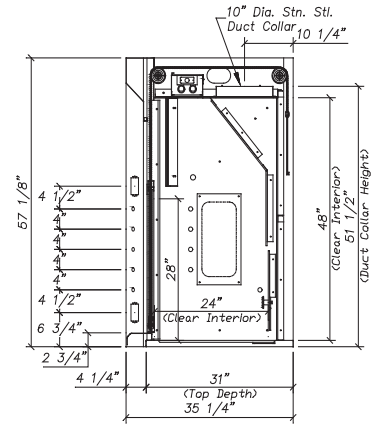
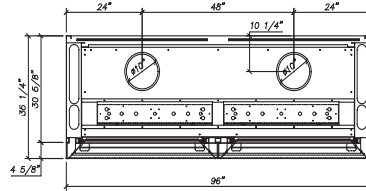
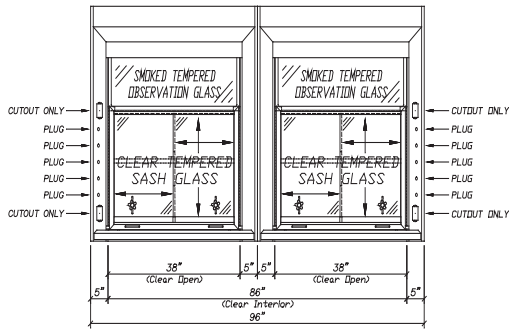
F-171 Bench/Fixed Center Post Plumbing Fixtures

Fascia is pre-punched with five 3/4" dia. holes to accept rod driven remote fixtures (ten holes total). Please see the Plumbing Fixtures section for available options.

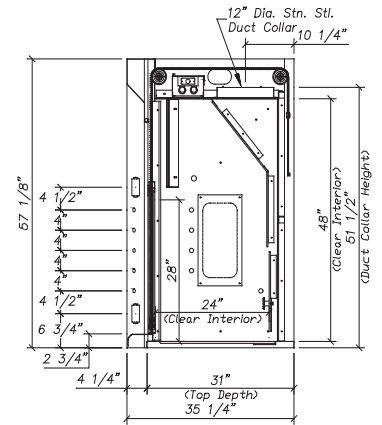
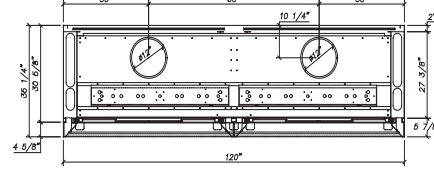
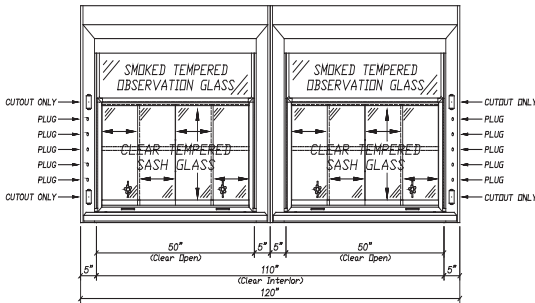
F-171 Bench/Fixed Center Post Fume Hood Accessories

Please see the Fume Hood Accessories section for available options.

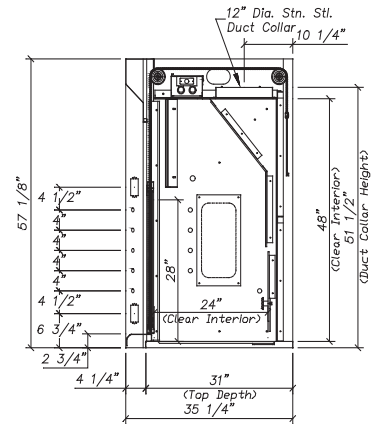
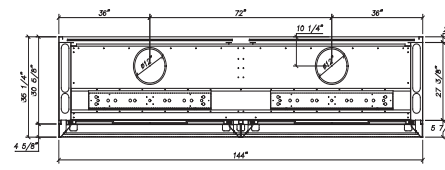
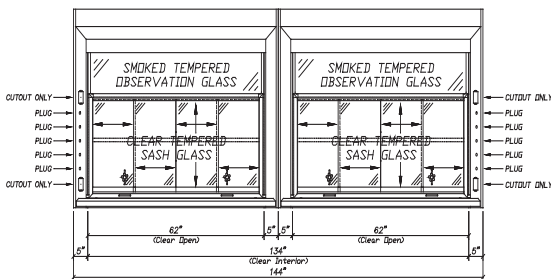
F-171-96 – 96" Bench/Fixed Center Post



F-171-120 – 120" Bench/Fixed Center Post



F-171-144 – 144" Bench/Fixed Center Post



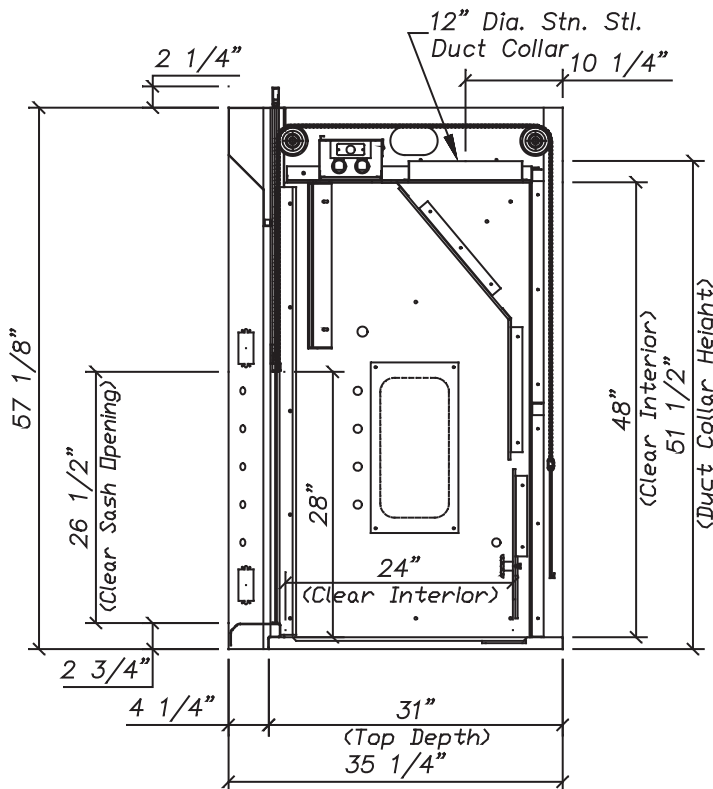


This page was intentionally left blank.

F-173 Bench/Fixed Center Post – Framed Vertical Sash

The ISOLATOR fixed center post bench hood with the framed vertical sash is the result of extensive research and development to produce the industry’s safest, most adaptable fume hood. It provides an expansive interior view along with the more traditional framed look. The ISOLATOR’s design and construction enhances its value by providing:

- Unparalleled user safety
- Full hood access for easy set ups
- Years of maintenance free service
- Unmatched ease of use
- Unique design qualities for unlimited customization possibilities
- Field conversion between Constant Air Volume (CAV) and Variable Air Volume (VAV)
- Hoods available in “Knock Down” (KD) mode for transport and assembly in restricted areas



F-173 Bench/Fixed Center Post Features

- Unsurpassed containment (designed and tested to exceed ASHRAE 110-1995)
- Unique chain driven sash mechanism that comes with a lifetime warranty
- Galvanized Steel Pan Superstructure
- Transparent Viewpass bypass system
- Stainless steel air foil
- Vertical sashes provide the greatest hood interior access
- Full view stainless steel framed sash with 26 1/2" opening
- Quality engineering ensures years of reliable service

F-100 Series – Isolator Bench Fume Hoods – Ordering Information

F-173 Bench/Fixed Center Post Air Flow Data

Catalog Number	Duct Diameter	*28" Vertical Open @ 100 FPM	**18" Vertical Open @ 100 FPM
F-173-96	2 : 10"	1478 CFM @ .29 "SP	950 CFM @ .12 "SP
F-173-120	2 : 12"	1944 CFM @ .27 "SP	1250 CFM @ .11 "SP
F-173-144	2 : 12"	2411 CFM @ .42 "SP	1550 CFM @ .17 "SP

*Both sashes full open / **Both sashes 18" open

F-173 Bench/Fixed Center Post Product Numbers

F-173-96	Fixed Center Post Bench 96"	Framed Sash
F-173-120	Fixed Center Post Bench 120"	Framed Sash
F-173-144	Fixed Center Post Bench 144"	Framed Sash

F-173 Bench/Fixed Center Post Liner Options

White Polyglass is standard. Please see the Hood Liners section for available options.

F-173 Bench/Fixed Center Post Electrical Options

Fascia is pre-punched with two electrical cutouts (four cutouts total). Please see the Electrical Fixtures section for available options.

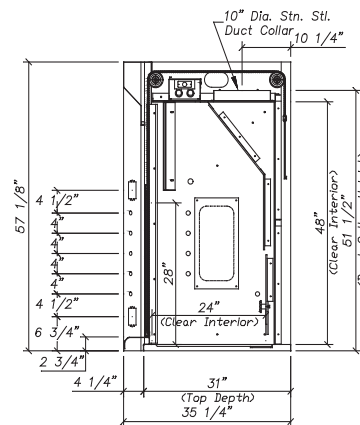
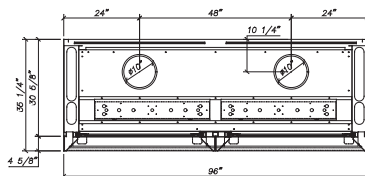
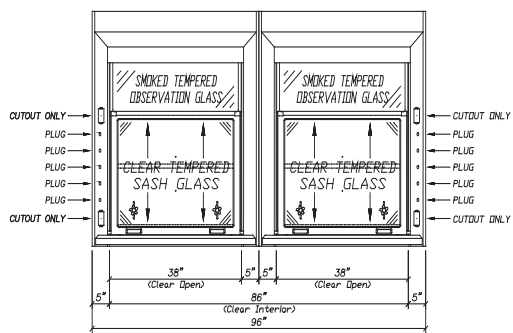
F-173 Bench/Fixed Center Post Plumbing Fixtures

Fascia is pre-punched with five 3/4" dia. holes to accept rod driven remote fixtures (ten holes total). Please see the Plumbing Fixtures section for available options.

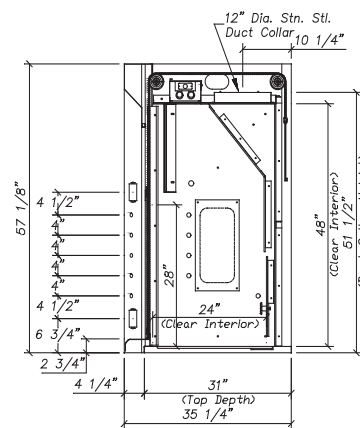
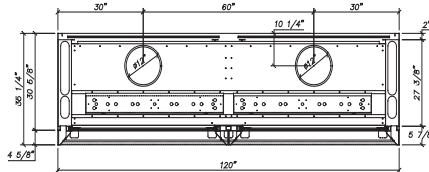
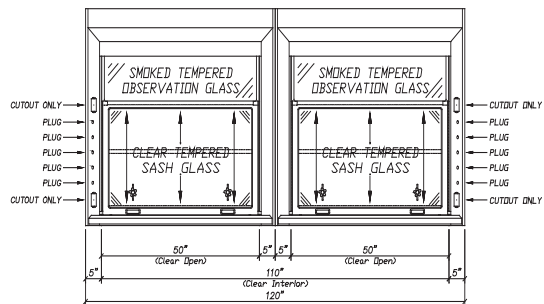
F-173 Bench/Fixed Center Post Fume Hood Accessories

Please see the Fume Hood Accessories section for available options.

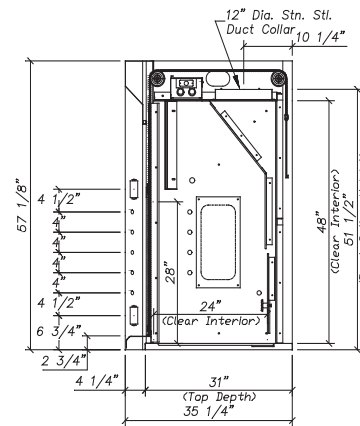
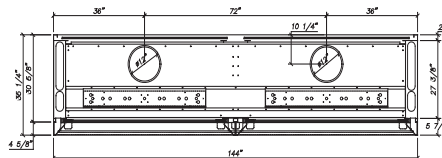
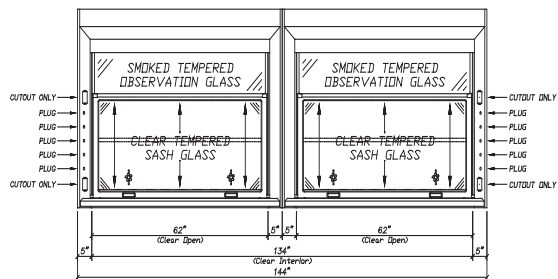
F-173-96 – 96" Bench/Fixed Center Post



F-173-120 – 120" Bench/Fixed Center Post



F-173-144 – 144" Bench/Fixed Center Post



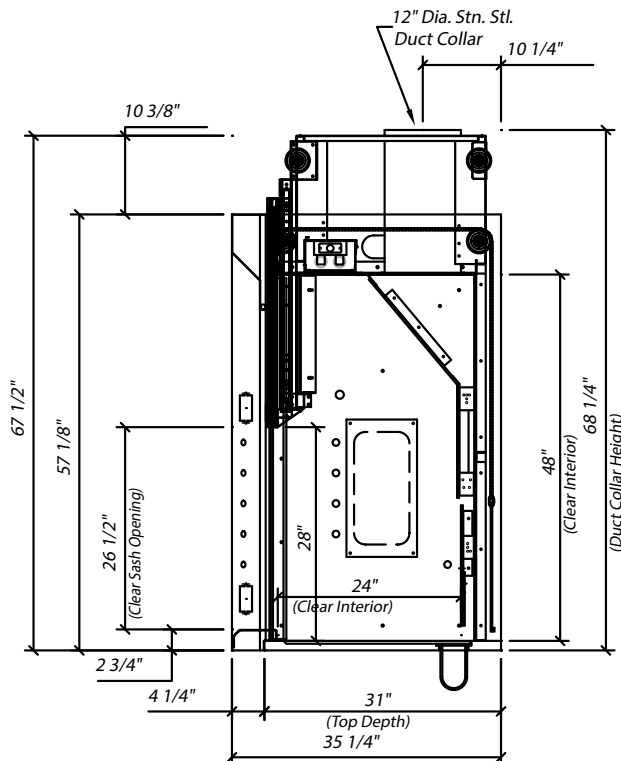
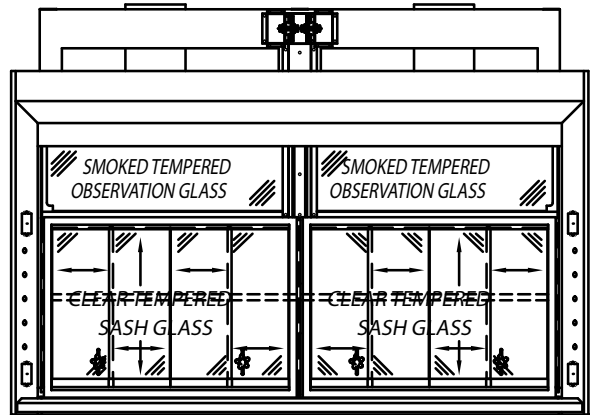


This page was intentionally left blank.

F-181-2 Dual Postless Bench – Combination Sash

The ISOLATOR dual postless bench hood with a combination sash is the result of extensive research and development to produce the industry’s safest, most adaptable fume hood. It provides superior energy savings via this functional design. The ISOLATOR’s design and construction enhances its value by providing:

- Unparalleled user safety
- Years of maintenance free service
- Unmatched ease of use
- Substantial energy savings via the sash configuration
- Unique design qualities for unlimited customization possibilities
- Field conversion between Constant Air Volume (CAV) and Variable Air Volume (VAV)
- Hoods available in “Knock Down” (KD) mode for transport and assembly in restricted areas



F-181-2 Dual Postless Bench Features

- Unsurpassed containment (designed and tested to exceed ASHRAE 110-1995)
- Unique chain driven sash mechanism that comes with a lifetime warranty
- Galvanized Steel Pan Superstructure
- Transparent Viewpass bypass system
- Stainless steel air foil
- Offers the best features of both the vertical and horizontal sashes thus allowing flexible interior access while minimizing the sash opening for energy savings
- Full view stainless steel combination sash with 26 1/2" vertical opening
- Quality engineering ensures years of reliable service

F-100 Series – Isolator Bench Fume Hoods – Ordering Information

F-181-2 Dual Postless Bench Air Flow Data

Catalog Number	Duct Diameter	*28" Vertical Open @ 100 FPM	**18" Vertical Open @ 100 FPM	50% Horizontal Open @ 100 FPM
F-181-96-2	2 : 10"	1672 CFM @ .37 "SP	1075 CFM @ .15 "SP	904 CFM @ .11 "SP
F-181-120-2	2 : 12"	2139 CFM @ .33 "SP	1375 CFM @ .14 "SP	1189 CFM @ .10 "SP
F-181-144-2	2 : 12"	2606 CFM @ .49 "SP	1675 CFM @ .20 "SP	1475 CFM @ .16 "SP

*Both sashes vertical open

**25% Open may be achieved two ways: 1. Vertical sash open 14"; horizontal panels closed, other sash and panels closed
2. Vertical sash closed; horizontal panels full open, other sash and panels closed

***Single sash open

F-181-2 Dual Postless Bench Product Numbers

F-181-96-2	Dual Postless Bench 96"	Combo Sash
F-181-120-2	Dual Postless Bench 120"	Combo Sash
F-181-144-2	Dual Postless Bench 144"	Combo Sash

F-181-2 Dual Postless Bench Liner Options

White Polyglass is standard. Please see the Hood Liners section for available options.

F-181-2 Dual Postless Bench Electrical Options

Fascia is pre-punched with two electrical cutouts (four cutouts total). Please see the Electrical Fixtures section for available options.

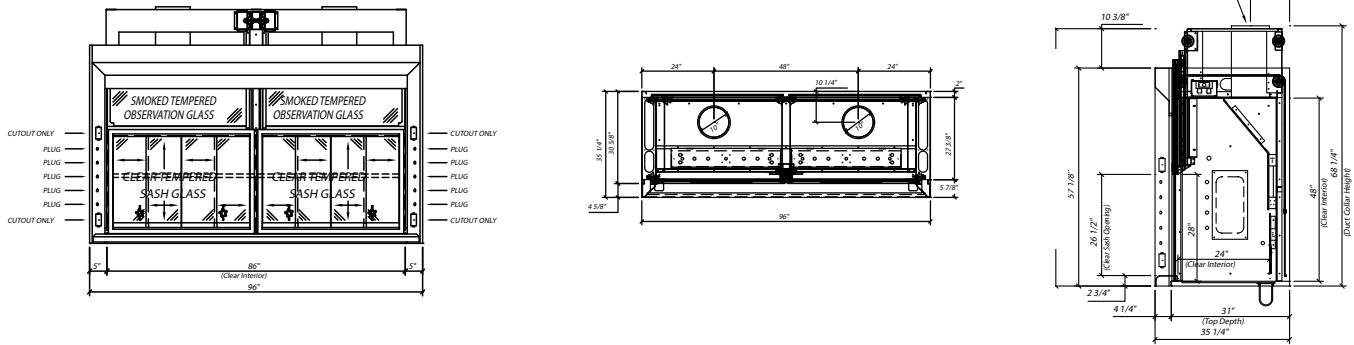
F-181-2 Dual Postless Bench Plumbing Fixtures

Fascia is pre-punched with five 3/4" dia. holes to accept rod driven remote fixtures (ten holes total). Please see the Plumbing Fixtures section for available options.

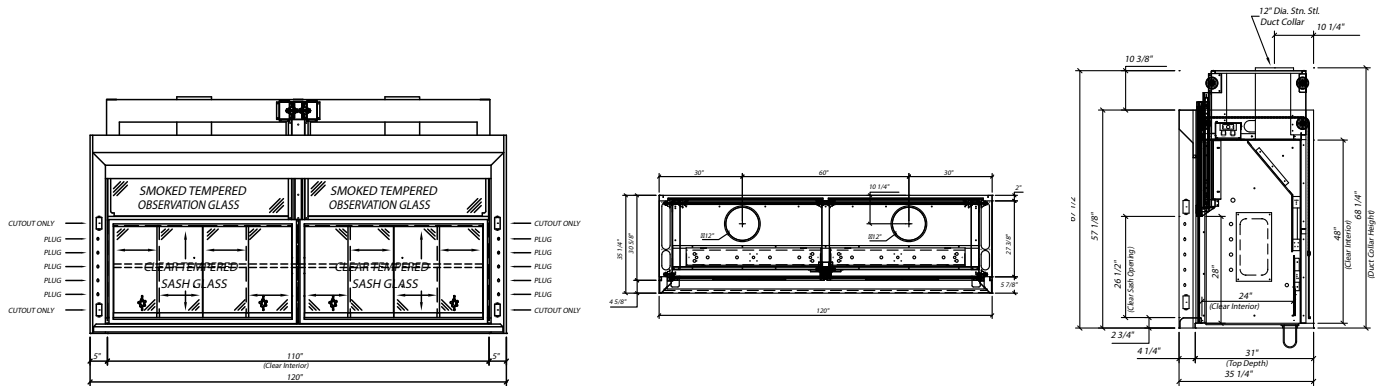
F-181-2 Dual Postless Bench Fume Hood Accessories

Please see the Fume Hood Accessories section for available options.

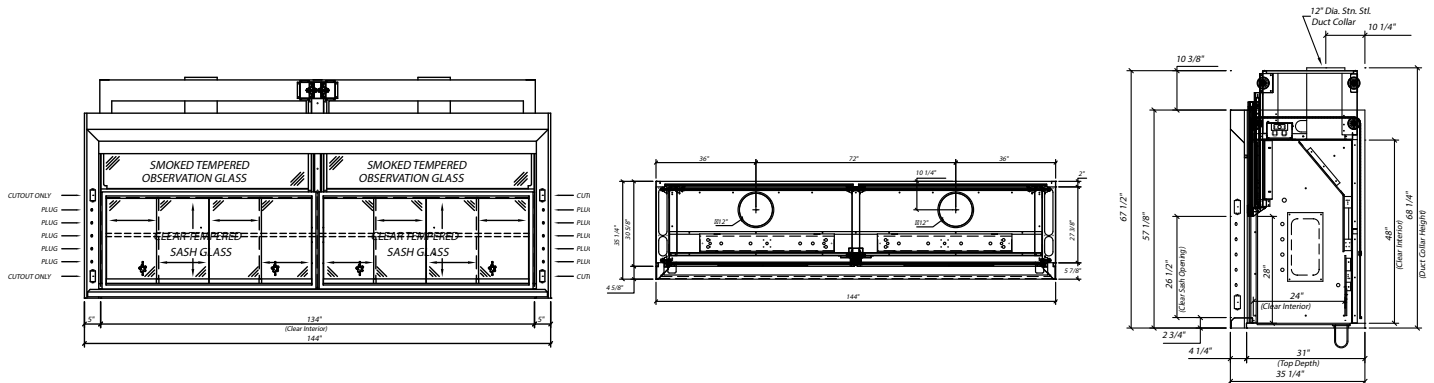
F-181-96-2 – 96" Dual Post Bench



F-181-120-2 – 120" Dual Post Bench



F-181-144-2 – 144" Dual Postless Bench



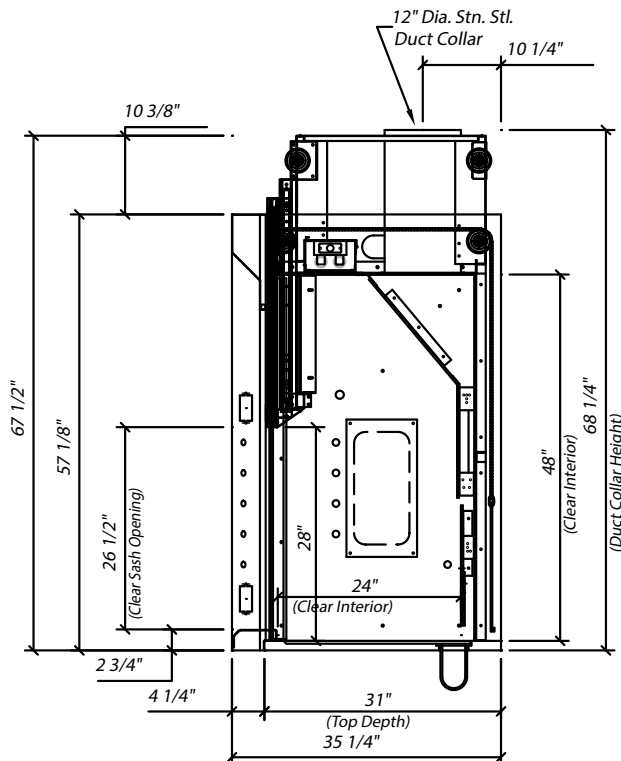
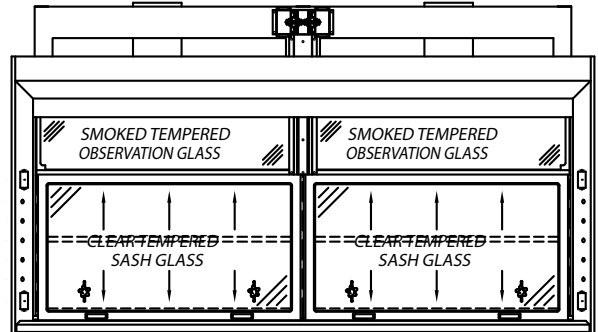


This page was intentionally left blank.

F-183-2 Dual Postless Bench – Framed Vertical Sash

The ISOLATOR dual postless bench hood with the framed vertical sash is the result of extensive research and development to produce the industry’s safest, most adaptable fume hood. It provides an expansive interior view along with the more traditional framed look. The ISOLATOR’s design and construction enhances its value by providing:

- Unparalleled user safety
- Full hood access for easy set ups
- Years of maintenance free service
- Unmatched ease of use
- Unique design qualities for unlimited customization possibilities
- Field conversion between Constant Air Volume (CAV) and Variable Air Volume (VAV)
- Hoods available in “Knock Down” (KD) mode for transport and assembly in restricted areas



F-183-2 Dual Postless Bench Features

- Unsurpassed containment (designed and tested to exceed ASHRAE 110-1995)
- Unique chain driven sash mechanism that comes with a lifetime warranty
- Galvanized Steel Pan Superstructure
- Transparent Viewpass bypass system
- Stainless steel air foil
- Vertical sashes provide the greatest hood interior access
- Full view stainless steel framed sash with 26 1/2" opening
- Quality engineering ensures years of reliable service

F-100 Series – Isolator Bench Fume Hoods – Ordering Information

F-183-2 Dual Postless Bench Air Flow Data

Catalog Number	Duct Diameter	*28" Vertical Open @ 100 FPM	*18" Vertical Open @ 100 FPM	**28" 50% Vertical Open @ 100 FPM
F-183-96-2	2 : 10"	1672 CFM @ .37 "SP	1075 CFM @ .15 "SP	956 CFM @ .12 "SP
F-183-120-2	2 : 12"	2138 CFM @ .33 "SP	1375 CFM @ .14 "SP	1222 CFM @ .11 "SP
F-183-144-2	2 : 12"	2606 CFM @ .49 "SP	1675 CFM @ .20 "SP	1489 CFM @ .16 "SP

*Both sashes vertical open

**Single sash open

F-183-2 Dual Postless Bench Product Numbers

F-183-96-2	Dual Postless Bench 96"	Framed Sash
F-183-120-2	Dual Postless Bench 120"	Framed Sash
F-183-144-2	Dual Postless Bench 144"	Framed Sash

F-183-2 Dual Postless Bench Liner Options

White Polyglass is standard. Please see the Hood Liners section for available options.

F-183-2 Dual Postless Bench Electrical Options

Fascia is pre-punched with two electrical cutouts (four cutouts total). Please see the Electrical Fixtures section for available options.

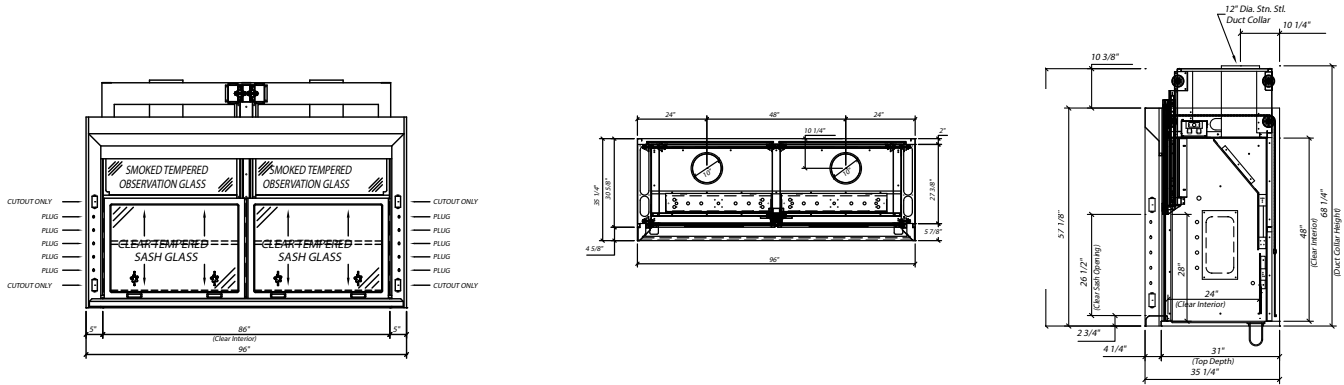
F-183-2 Dual Postless Bench Plumbing Fixtures

Fascia is pre-punched with five 3/4" dia. holes to accept rod driven remote fixtures (ten holes total). Please see the Plumbing Fixtures section for available options.

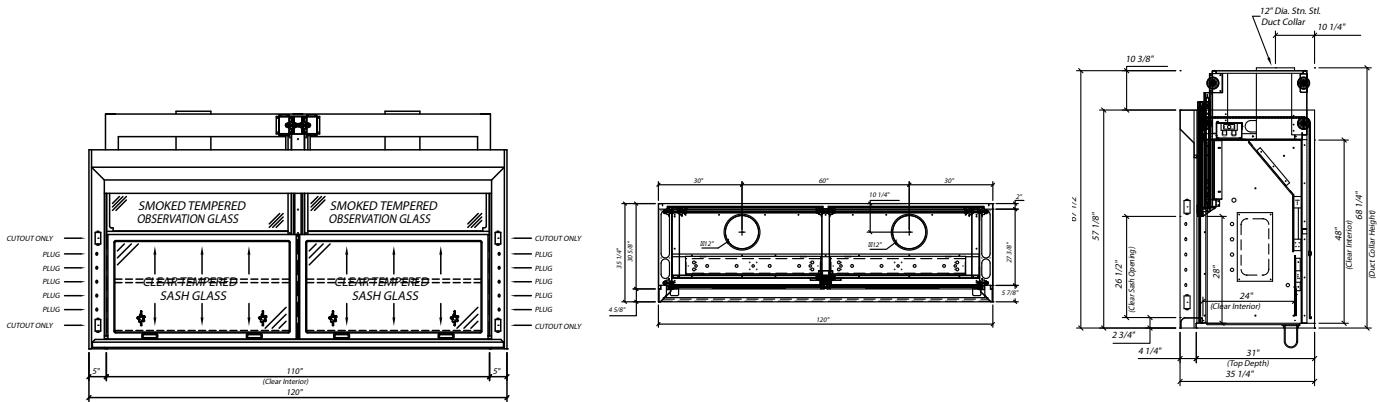
F-183-2 Dual Postless Bench Fume Hood Accessories

Please see the Fume Hood Accessories section for available options.

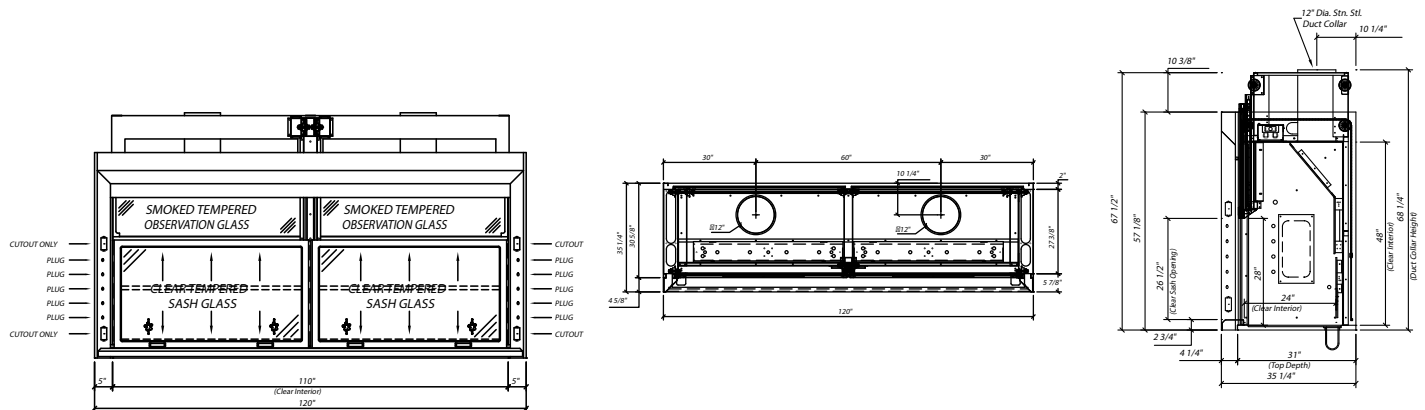
F-183-96-2 – 96" Dual Postless Bench



F-183-120-2 – 120" Dual Postless Bench



F-183-144-2 – 144" Dual Postless Bench



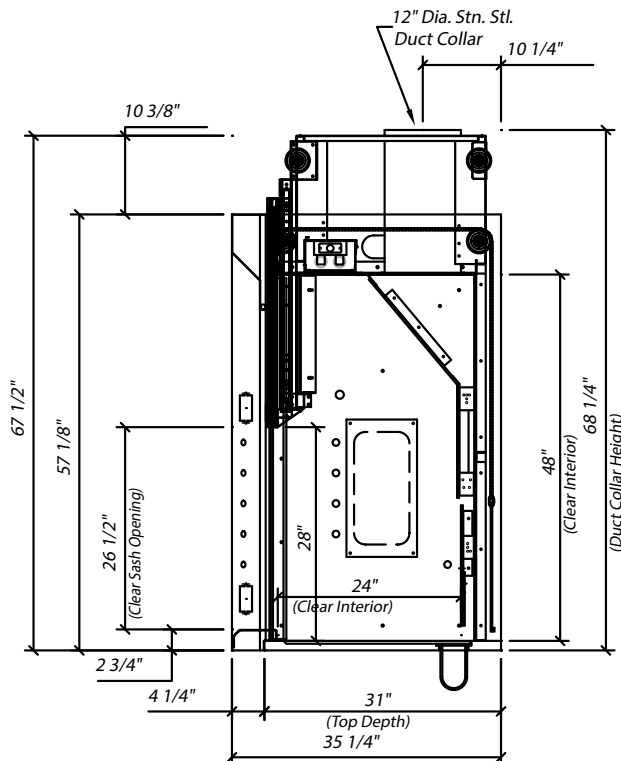
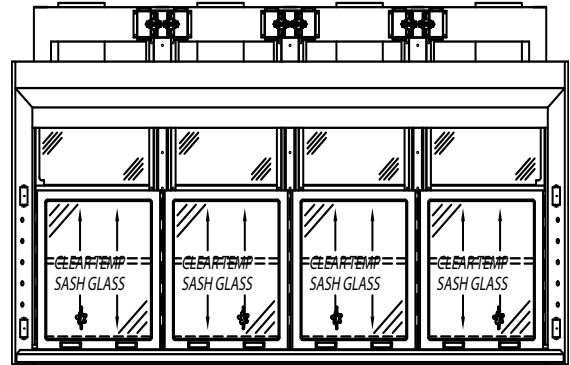


This page was intentionally left blank.

F-183-4 Quad Postless Bench – Framed Vertical Sash

The ISOLATOR quad postless bench hood with the framed vertical sash is the result of extensive research and development to produce the industry’s safest, most adaptable fume hood. It provides an expansive interior view along with the more traditional framed look. The ISOLATOR’s design and construction enhances its value by providing:

- Unparalleled user safety
- Full hood access for easy set ups
- Years of maintenance free service
- Unmatched ease of use
- Unique design qualities for unlimited customization possibilities
- Field conversion between Constant Air Volume (CAV) and Variable Air Volume (VAV)
- Hoods available in “Knock Down” (KD) mode for transport and assembly in restricted areas



F-183-4 Quad Postless Bench Features

- Unsurpassed containment (designed and tested to exceed ASHRAE 110-1995)
- Unique chain driven sash mechanism that comes with a lifetime warranty
- Galvanized Steel Pan Superstructure
- Transparent Viewpass bypass system
- Stainless steel air foil
- Vertical sashes provide the greatest hood interior access
- Full view stainless steel framed sash with 26 1/2" opening
- Quality engineering ensures years of reliable service

F-100 Series – Isolator Bench Fume Hoods – Ordering Information

F-183-4 Quad Postless Bench Air Flow Data

Catalog Number	Duct Diameter	*28" Vertical Open @ 100 FPM	*18" Vertical Open @ 100 FPM	**28" 25% Vertical Open @ 100 FPM
F-183-120-4	4 : 10"	2139 CFM @ .33 "SP	1375 CFM @ .14 "SP	764 CFM @ .04 "SP
F-183-144-4	4 : 10"	2606 CFM @ .49 "SP	1675 CFM @ .20 "SP	931 CFM @ .06 "SP

*All sashes vertical open

**Single sash open only

F-183-4 Quad Postless Bench Product Numbers

F-183-120-4	Quad Postless Bench 120"	Framed Sash
F-183-144-4	Quad Postless Bench 144"	Framed Sash

F-183-4 Quad Postless Bench Liner Options

White Polyglass is standard. Please see the Hood Liners section for available options.

F-183-4 Quad Postless Bench Electrical Options

Fascia is pre-punched with two electrical cutouts (four cutouts total). Please see the Electrical Fixtures section for available options.

F-183-4 Quad Postless Bench Plumbing Fixtures

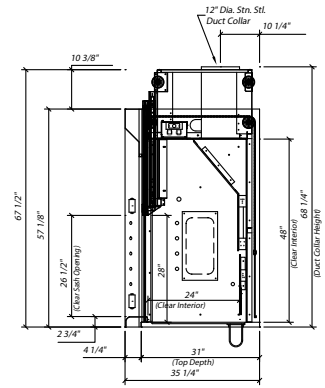
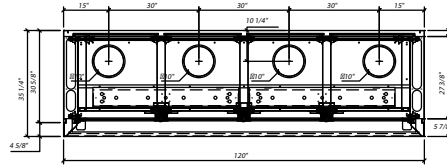
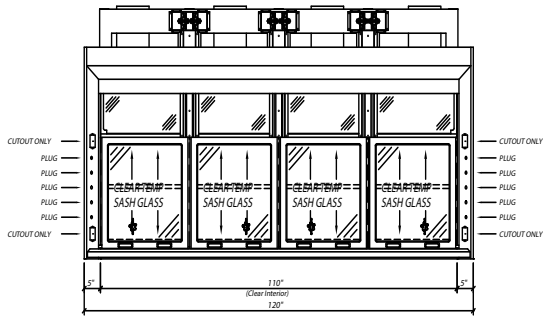
Fascia is pre-punched with five 3/4" dia. holes to accept rod driven remote fixtures (ten holes total). Please see the Plumbing Fixtures section for available options.

F-183-4 Quad Postless Bench Bench Fume Hood Accessories

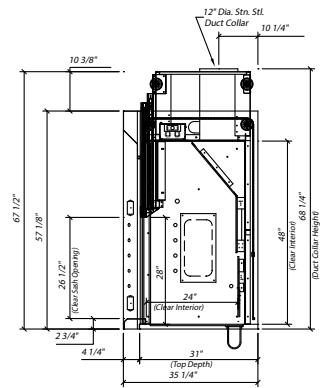
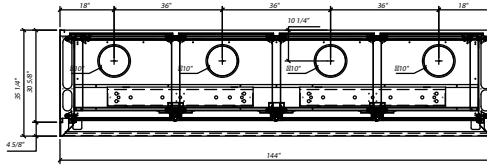
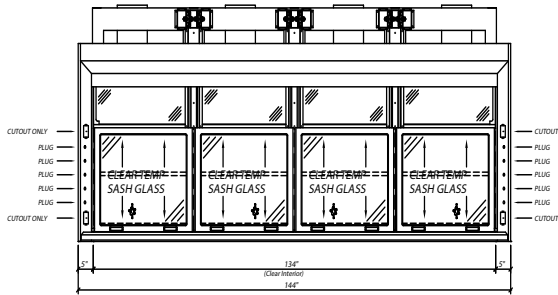
Please see the Fume Hood Accessories section for available options.

F-100 Series – Isolator Bench Fume Hoods – Product Dimensions

F-183-120-4 – 120" Quad Postless Bench



F-183-144-4 – 144" Quad Postless Bench



F-100 Series – Isolator Bench Fume Hoods – Product Dim

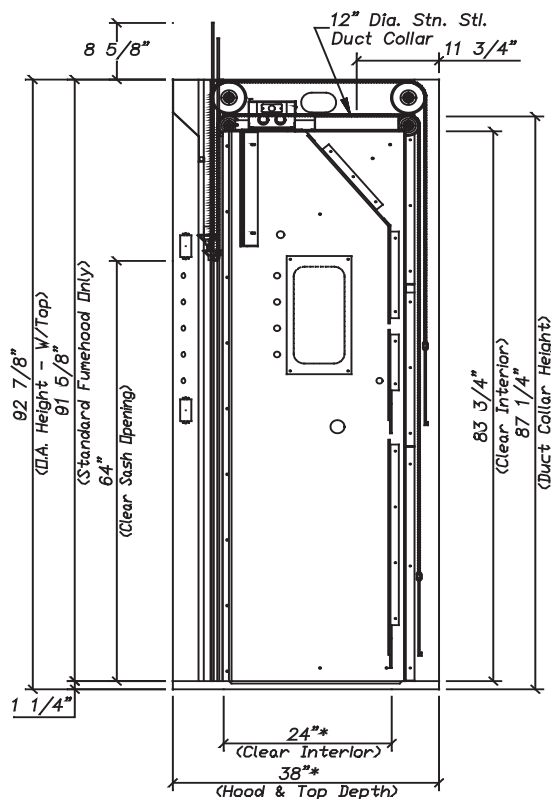


This page was intentionally left blank.

F-200 Walk-In Hood – Frameless Vertical Sash

This ISOLATOR bypass walk-in fume hood with the frameless vertical sash mirrors the bench style unit in design and function. The top viewpass is smoked tempered glass. These units are normally used with tall setups where maximum clarity of vision is a priority. When floor mounted, the walk-in's top fascia aligns with a standard bench hood thus providing a clean look to any design utilizing both types of hood. The ISOLATOR's design and construction enhances its value by providing:

- Unparalleled user safety
- Full hood access for easy set ups
- Years of maintenance free service
- Unmatched ease of use
- Unique design qualities for unlimited customization possibilities
- Field conversion between Constant Air Volume (CAV) and Variable Air Volume (VAV)
- Hoods available in “Knock Down” (KD) mode for transport and assembly in restricted areas



* NOTE: D30 HOOD DIMENSIONS: 30" (CLEAR INTERIOR)
44" (TOP DEPTH) / 44" (D.A. DEPTH)

F-200 Walk-In Hood Features

- Unsurpassed containment (designed and tested to exceed ASHRAE 110-1995)
- Unique chain driven sash mechanism that comes with a lifetime warranty
- Galvanized steel pan superstructure
- Transparent viewpass bypass system
- Stainless steel air foil
- Aerodynamically designed airplane wing style sash handle enhances the perimeter containment
- Vertical sashes provide the greatest hood interior access
- Full view frameless sash with 64" upper and lower sash openings
- Quality engineering ensures years of reliable service

F-200 Series – Isolator Walk-In Fume Hoods – Ordering Information

F-200 Walk-In Hood Air Flow Data

Catalog Number	Duct Diameter	31 1/2" Vertical Open Upper Sash @ 100 FPM	18" Vertical Open Upper Sash @ 100 FPM
F-200-48	1 : 10"	858 CFM @ .39 "SP	501 CFM @ .13 "SP
F-200-60	1 : 12"	1128 CFM @ .37 "SP	660 CFM @ .13 "SP
F-200-72	1 : 12"	1399 CFM @ .57 "SP	818 CFM @ .19 "SP
F-200-96	2 : 10"	1941 CFM @ .50 "SP	1135 CFM @ .17 "SP

F-200 Walk-In Hood Product Numbers

F-200-48	Walk-In 48"	Frameless	
F-200-48D30	Walk-In 48"	Frameless	30" Deep
F-200-60	Walk-In 60"	Frameless	
F-200-60D30	Walk-In 60"	Frameless	30" Deep
F-200-72	Walk-In 72"	Frameless	
F-200-72D30	Walk-In 72"	Frameless	30" Deep
F-200-96	Walk-In 96"	Frameless	
F-200-96D30	Walk-In 96"	Frameless	30" Deep

F-200 Walk-In Hood Liner Options

White Polyglass is standard. Please see the Hood Liners section for available options.

F-200 Walk-In Hood Electrical Options

Fascia is pre-punched with two electrical cutouts (four cutouts total). Please see the Electrical Fixtures section for available options.

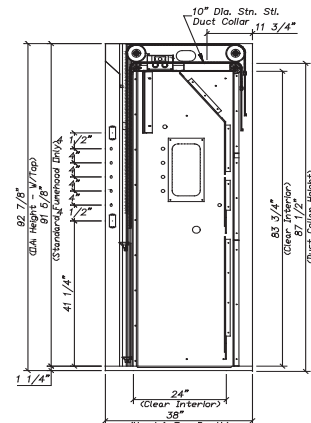
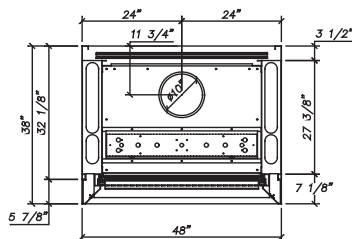
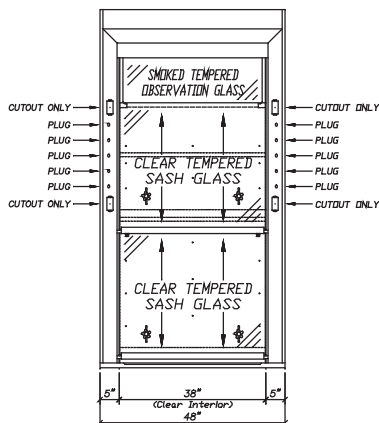
F-200 Walk-In Hood Plumbing Fixtures

Fascia is pre-punched with five 3/4" dia. holes to accept rod driven remote fixtures (ten holes total). Please see the Plumbing Fixtures section for available options.

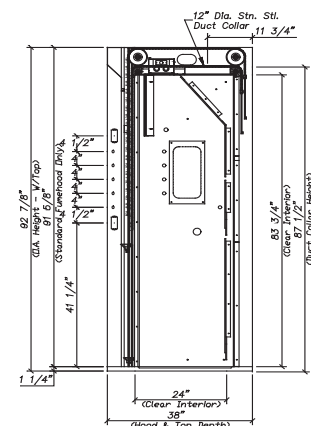
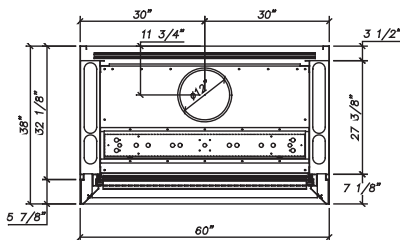
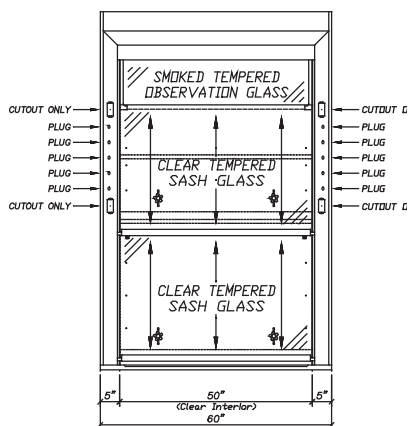
F-200 Walk-In Hood Fume Hood Accessories

Please see the Fume Hood Accessories section for available options.

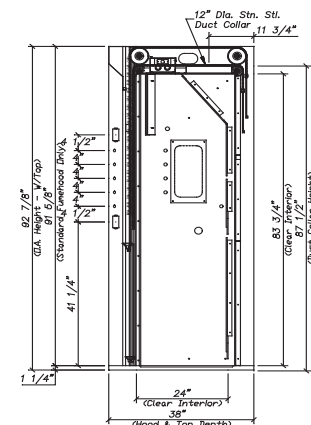
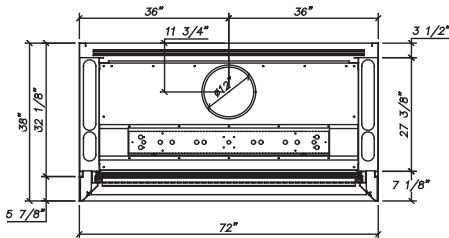
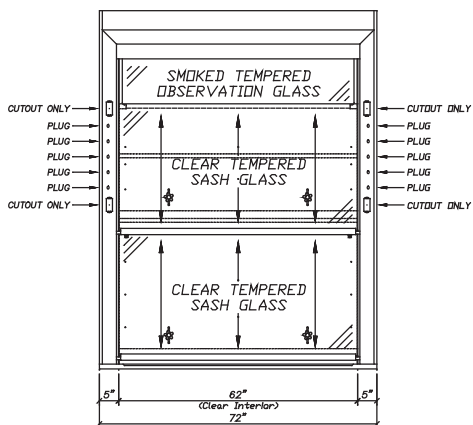
F-200-48 – 48" Walk-In Hood



F-200-60 – 60" Walk-In Hood

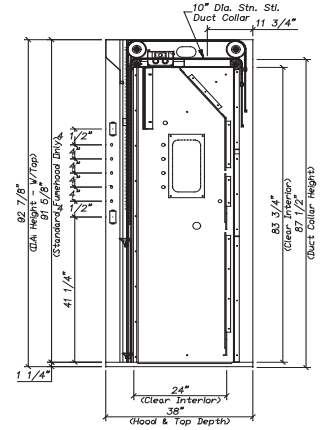
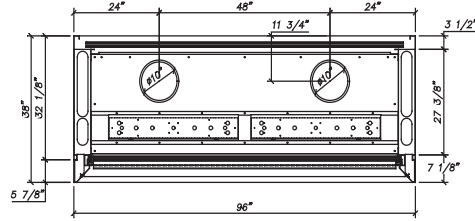
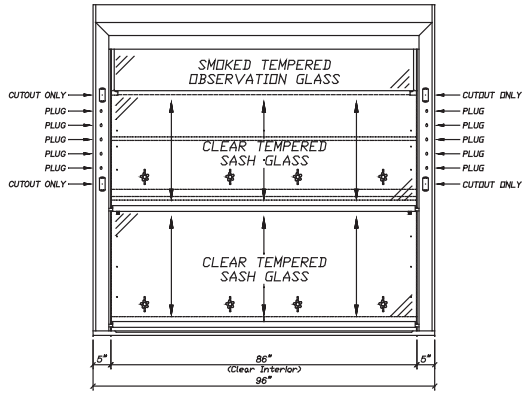


F-200-72 – 72" Walk-In Hood



F-200 Series – Isolator Walk-In Fume Hoods – Product Dimensions

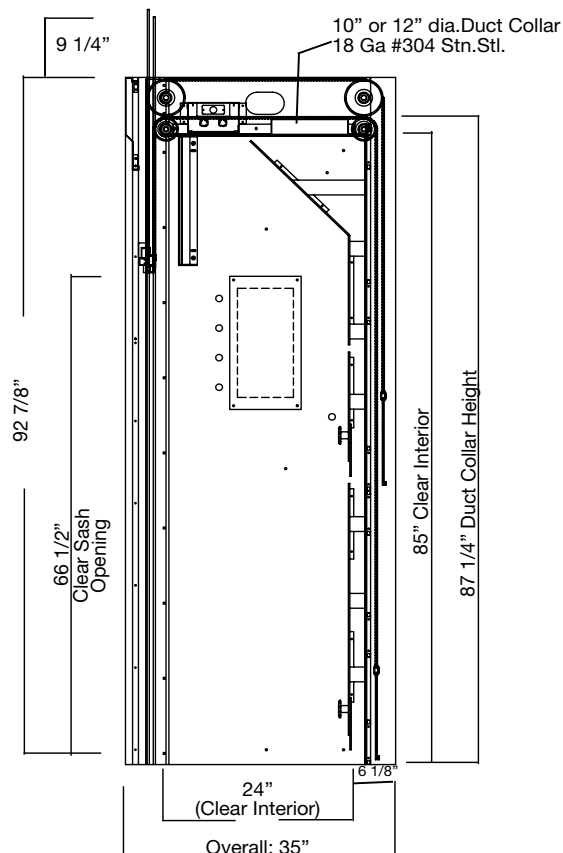
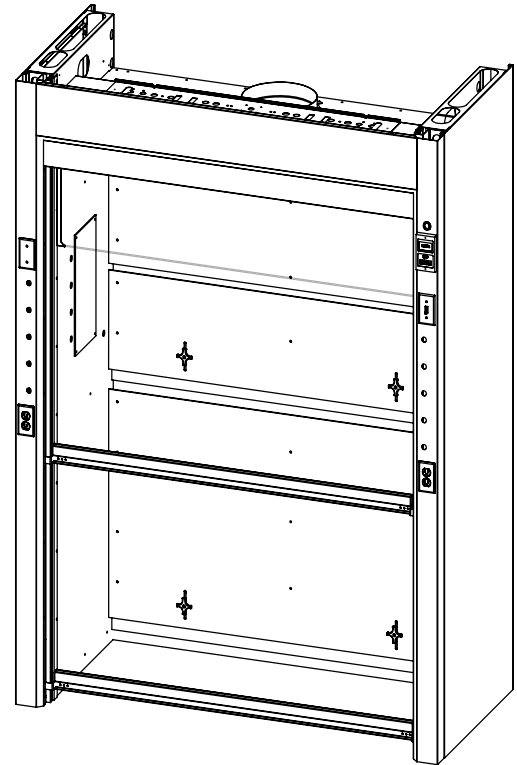
F-200-96 – 96" Walk-In Hood



F-200 ISOLATOR GEN-5 Walk-In Hood – Frameless Vertical Sash

This ISOLATOR GENERATION-5 bypass walk-in fume hood with the frameless vertical sash mirrors the bench style unit in design and function. The top view-pass is clear tempered glass. These units are normally used with tall setups where maximum clarity of vision is a priority. When floor mounted, the walk-in's top fascia aligns with a standard bench hood thus providing a clean look to any design utilizing both types of hood. The ISOLATOR GEN-5 design and construction enhances its value by providing:

- Unparalleled user safety
- Full hood access for easy set ups
- Years of maintenance free service
- Unmatched ease of use
- Unique design qualities for unlimited customization possibilities
- Field conversion between Constant Air Volume (CAV) and Variable Air Volume (VAV)
- Hoods available in “Knock Down” (KD) mode for transport and assembly in restricted areas



F-200 ISOLATOR GEN-5 Walk-In Hood Features

- Unsurpassed containment (designed and tested to exceed ASHRAE 110-1995)
- Hood is UL1805/CUL certified listed
- Unique chain driven sash mechanism that comes with a lifetime warranty
- Painted steel pan superstructure
- 17.25” H. clear observation glass panel, bypass system
- Non-metallic interior
- Vertical sashes provide the greatest hood interior access
- Full view frameless sash with 66-1/2" upper and lower sash openings
- Quality engineering ensures years of reliable service

F-200 Series – Isolator Walk-In Fume Hoods – Ordering Information

F-200 GEN-5 Walk-In Air Flow Data

Catalog Number	Duct Diameter	31 1/2" Vertical Open Upper Sash @ 100 FPM	18" Vertical Open Upper Sash @ 100 FPM
F-200-48G5	1 : 10"	858 CFM @ .39 "SP	501 CFM @ .13 "SP
F-200-60G5	1 : 12"	1128 CFM @ .37 "SP	660 CFM @ .13 "SP
F-200-72G5	1 : 12"	1399 CFM @ .57 "SP	818 CFM @ .19 "SP
F-200-96G5	2 : 10"	1941 CFM @ .50 "SP	1135 CFM @ .17 "SP

F-200 GEN-5 Walk-In Hood Product Numbers

F-200-48G5	Walk-In 48"	Frameless	24" Deep, Clear Interior
F-200-48G5D30	Walk-In 48"	Frameless	30" Deep, Clear Interior
F-200-60G5	Walk-In 60"	Frameless	24" Deep, Clear Interior
F-200-60G5D30	Walk-In 60"	Frameless	30" Deep, Clear Interior
F-200-G572	Walk-In 72"	Frameless	24" Deep, Clear Interior
F-200-72G5D30	Walk-In 72"	Frameless	30" Deep, Clear Interior
F-200-96G5	Walk-In 96"	Frameless	24" Deep, Clear Interior
F-200-96G5D30	Walk-In 96"	Frameless	30" Deep, Clear Interior

F-200 GEN-5 Liner Options

White Polyglass is standard. Please see the Hood Liners section for available options.

F-200 GEN-5 Electrical Options

Fascia is pre-punched with two electrical cutouts (four cutouts total). Please see the Electrical Fixtures section for available options.

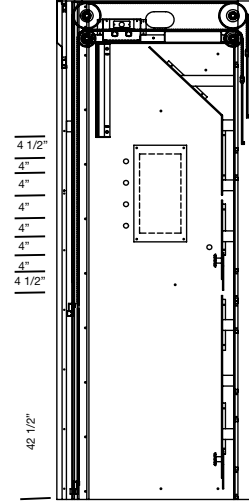
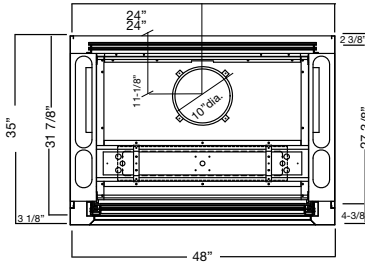
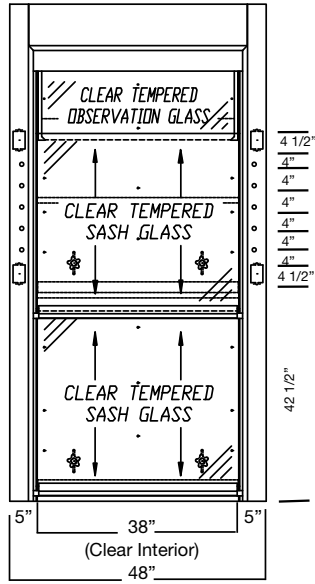
F-200 GEN-5 Plumbing Fixtures

Fascia is pre-punched with five 3/4" dia. holes to accept rod driven remote fixtures (ten holes total). Please see the Plumbing Fixtures section for available options.

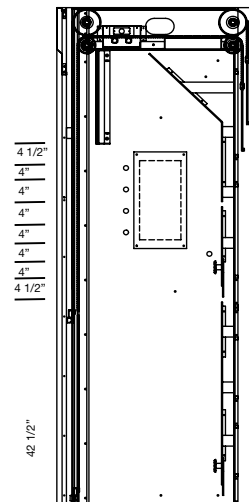
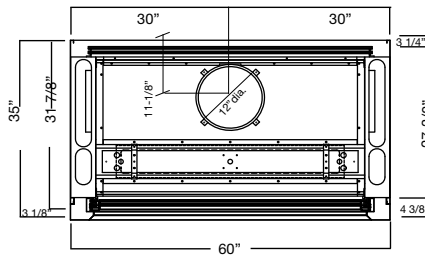
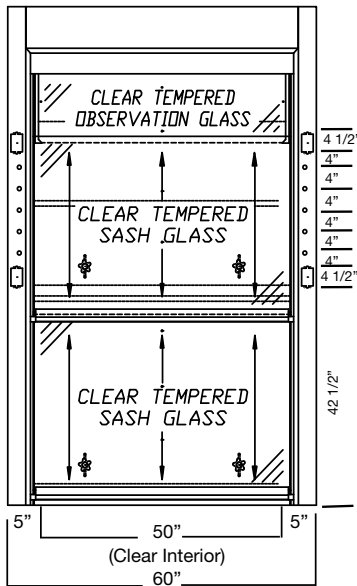
F-200 GEN-5 Fume Hood Accessories

Please see the Fume Hood Accessories section for available options.

F-200-48G5 - 48" WALK-IN FUME HOOD

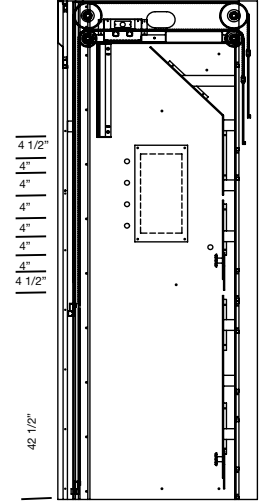
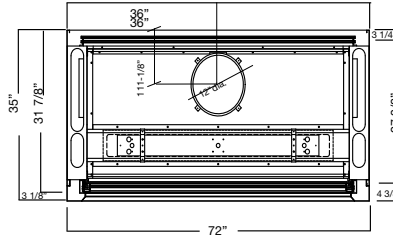
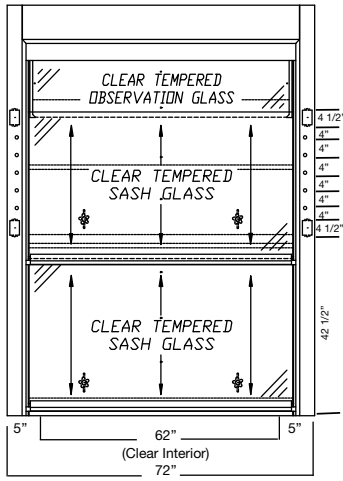


F-200-60G5 - 60" WALK-IN FUME HOOD

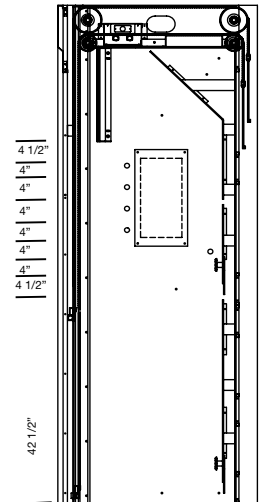
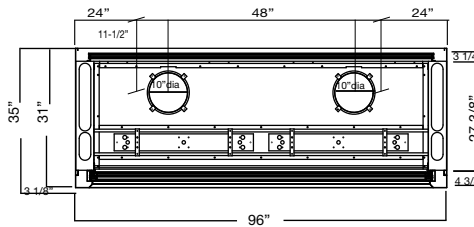
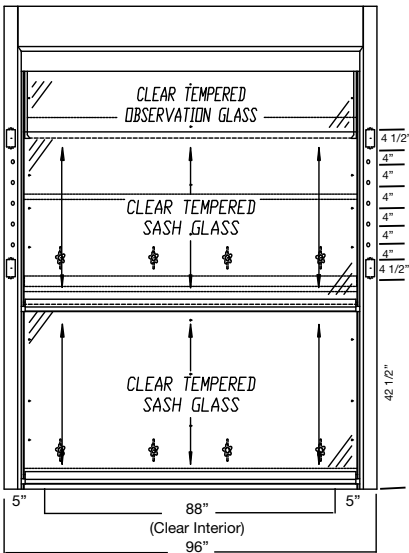


F-200 Series – Isolator Walk-In Fume Hoods – Product Dimensions

F-200-72G5 - 72" WALK-IN FUME HOOD



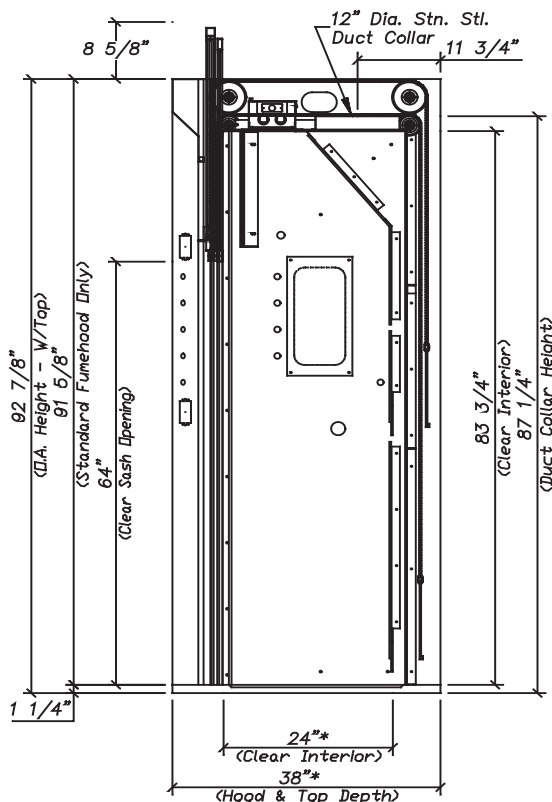
F-200-96G5 - 96" WALK-IN FUME HOOD



F-201 Walk-In Hood – Combination Sash

This ISOLATOR bypass walk-in fume hood with a combination sash mirrors the bench style unit in design and function. The top viewpass is smoked tempered glass. These units are normally used with tall setups where maximum clarity of vision is a priority. When floor mounted, the walk-in's top fascia aligns with a standard bench hood thus providing a clean look to any design utilizing both types of hood. The ISOLATOR's design and construction enhances its value by providing:

- Unparalleled user safety
- Years of maintenance free service
- Unmatched ease of use
- Substantial energy savings via the sash configuration
- Unique design qualities for unlimited customization possibilities
- Field conversion between Constant Air Volume (CAV) and Variable Air Volume (VAV)
- Hoods available in “Knock Down” (KD) mode for transport and assembly in restricted areas



* NOTE: D30 HOOD DIMENSIONS: 30" (CLEAR INTERIOR)
44" (TOP DEPTH) / 44" (O.A. DEPTH)

F-201 Walk-In Hood Features

- Unsurpassed containment (designed and tested to exceed ASHRAE 110-1995)
- Unique chain driven sash mechanism that comes with a lifetime warranty
- Galvanized steel pan superstructure
- Transparent viewpass bypass system
- Stainless steel air foil
- Offers the best features of both the vertical and horizontal sashes thus allowing flexible interior access while minimizing the sash opening for energy savings
- Vertical sashes provide the greatest hood interior access
- Full view frameless sash with 64" upper and lower sash openings
- Quality engineering ensures years of reliable service

F-200 Series – Isolator Walk-In Fume Hoods – Ordering Information

F-201 Walk-In Hood Air Flow Data

Catalog Number	Duct Diameter	31 1/2" Vertical Open Upper Sash @ 100 FPM	18" Vertical Open @ 100 FPM	%50 Horizontal Open @ 100 FPM
F-201-48	1 : 10"	858 CFM @ .39 "SP	501 CFM @ .13 "SP	444 CFM @ .10 "SP
F-201-60	1 : 12"	1128 CFM @ .37 "SP	660 CFM @ .13 "SP	586 CFM @ .10 "SP
F-201-72	1 : 12"	1399 CFM @ .57 "SP	818 CFM @ .19 "SP	739 CFM @ .16 "SP
F-201-96	2 : 10"	1941 CFM @ .50 "SP	1135 CFM @ .17 "SP	1035 CFM @ .14 "SP
F-201-120	2 : 12"	2483 CFM @ .45 "SP	1451 CFM @ .15 "SP	1330 CFM @ .13 "SP
F-201-144	2 : 12"	3024 CFM @ .66 "SP	1768 CFM @ .23 "SP	1628 CFM @ .19 "SP

*50% Open may be achieved two ways:

1. Vertical sash open 15 3/4"; horizontal panels closed
2. Vertical sash closed; horizontal panels full open

F-201 Walk-In Hood Product Numbers

F-201-48	W-I 48"	Combo & Framed (2 trk)	
F-201-48D30	W-I 48"	Combo & Framed (2 trk)	30" Deep
F-201-60	W-I 60"	Combo & Framed (2 trk)	
F-201-60D30	W-I 60"	Combo & Framed (2 trk)	30" Deep
F-201-72	W-I 72"	Combo & Framed (2 trk)	
F-201-72D30	W-I 72"	Combo & Framed (2 trk)	30" Deep
F-201-96	W-I 96"	Combo & Framed (2 trk)	
F-201-96D30	W-I 96"	Combo & Framed (2 trk)	30" Deep
F-201-120	W-I 120"	Combo & Framed (2 trk)	
F-201-120D30	W-I 120"	Combo & Framed (2 trk)	30" Deep
F-201-144	W-I 144"	Combo & Framed (2 trk)	
F-201-144D30	W-I 144"	Combo & Framed (2 trk)	30" Deep

F-201 Walk-In Hood Liner Options

White Polyglass is standard. Please see the Hood Liners section for available options.

F-201 Walk-In Hood Electrical Options

Fascia is pre-punched with two electrical cutouts (four cutouts total). Please see the Electrical Fixtures section for available options.

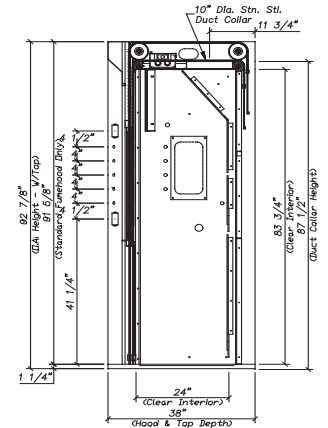
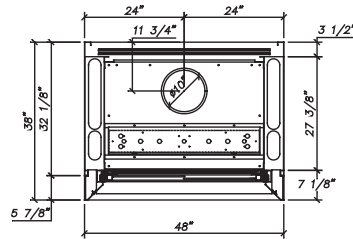
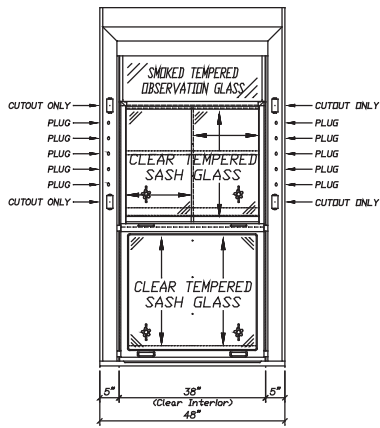
F-201 Walk-In Hood Plumbing Fixtures

Fascia is pre-punched with five 3/4" dia. holes to accept rod driven remote fixtures (ten holes total). Please see the Plumbing Fixtures section for available options.

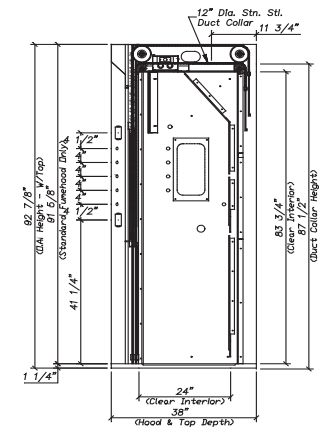
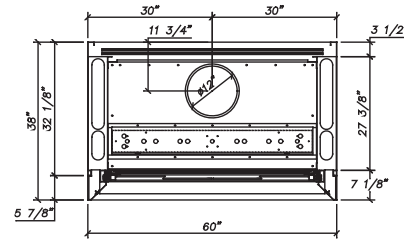
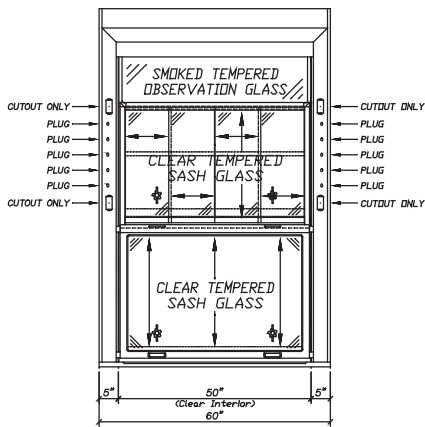
F-201 Walk-In Hood Fume Hood Accessories

Please see the Fume Hood Accessories section for available options.

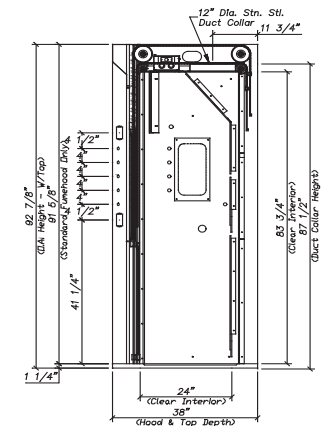
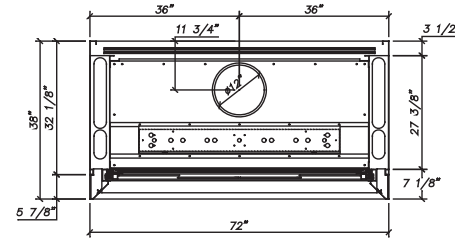
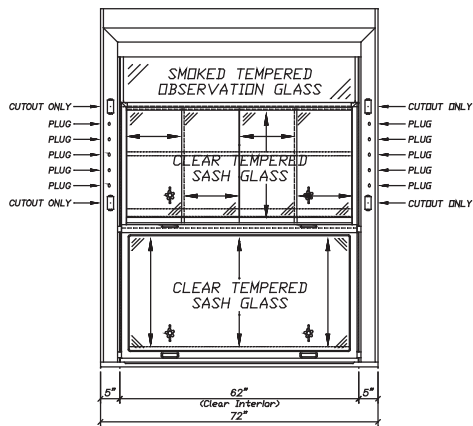
F-201-48 – 48" Walk-In Hood



F-201-60 – 60" Walk-In Hood

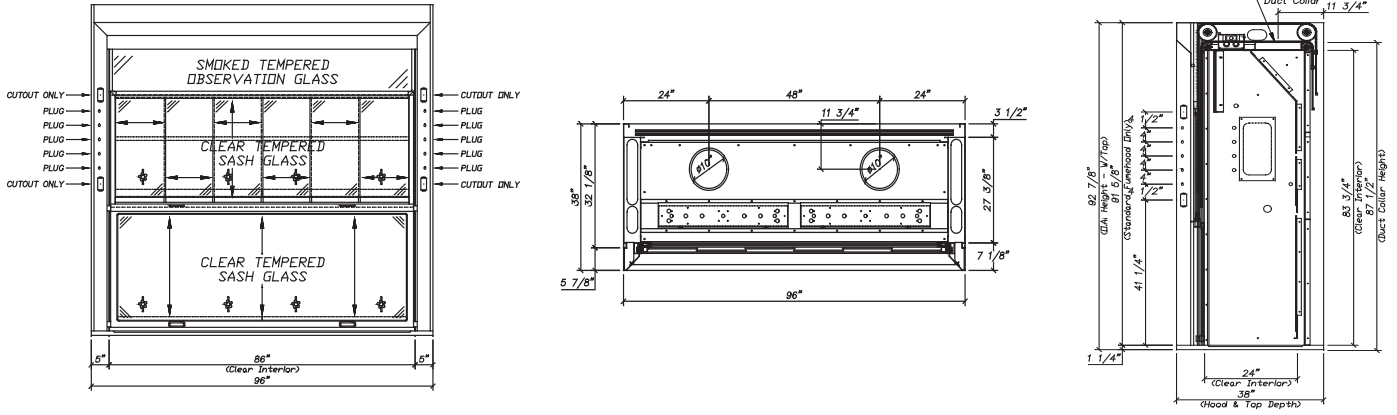


F-201-72 – 72" Walk-In Hood

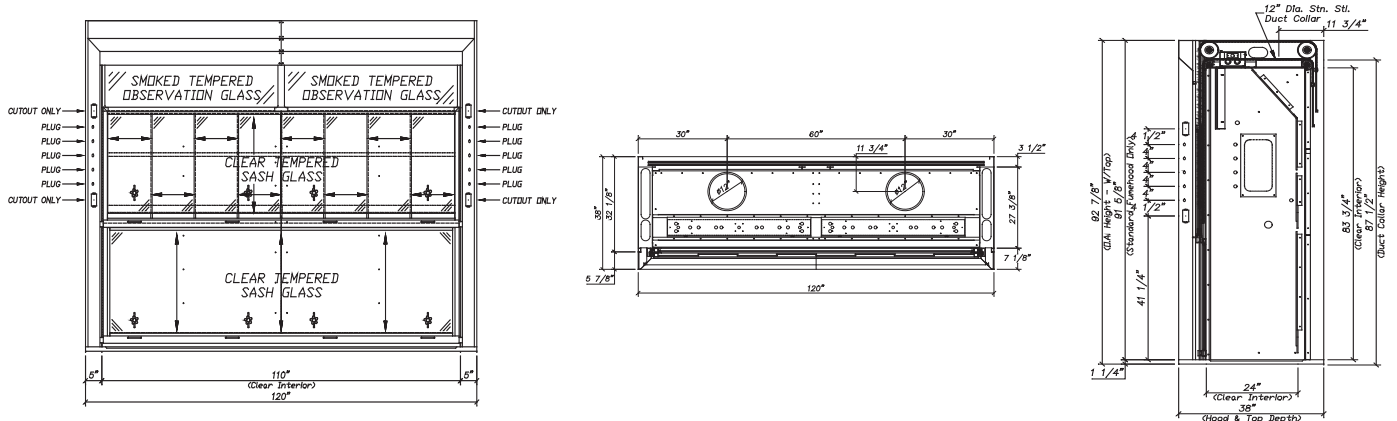


F-200 Series – Isolator Walk-In Fume Hoods – Product Dimensions

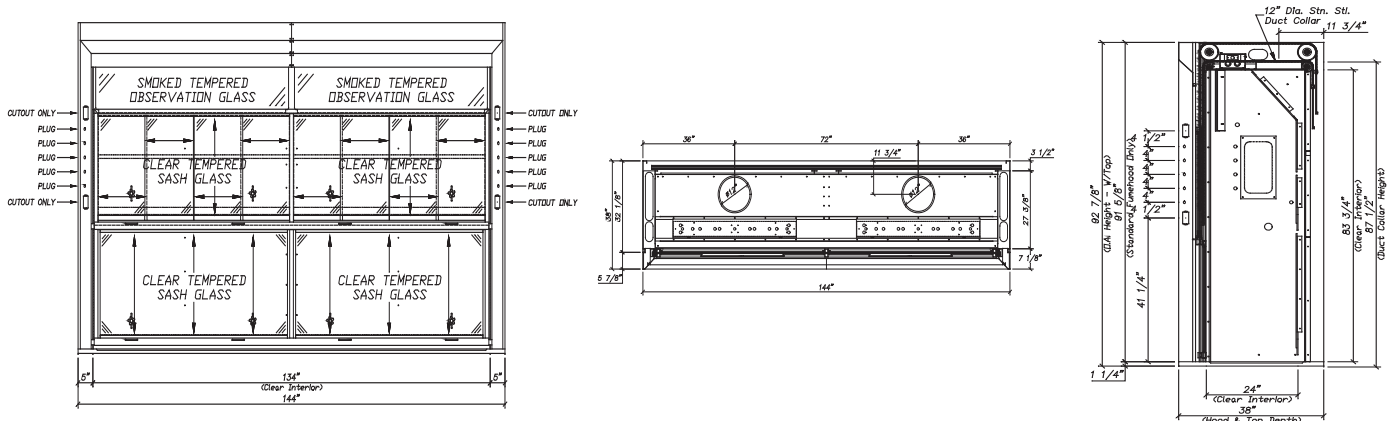
F-201-96 – 96" Walk-In Hood



F-201-120 – 120" Walk-In Hood



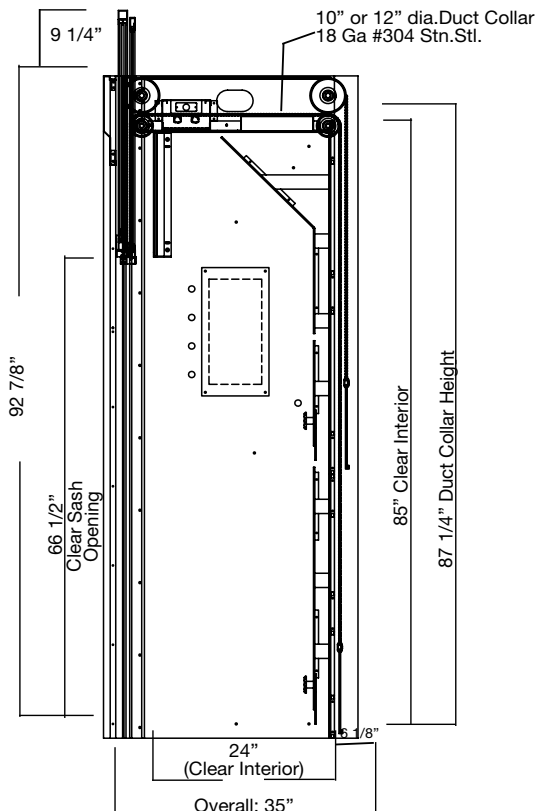
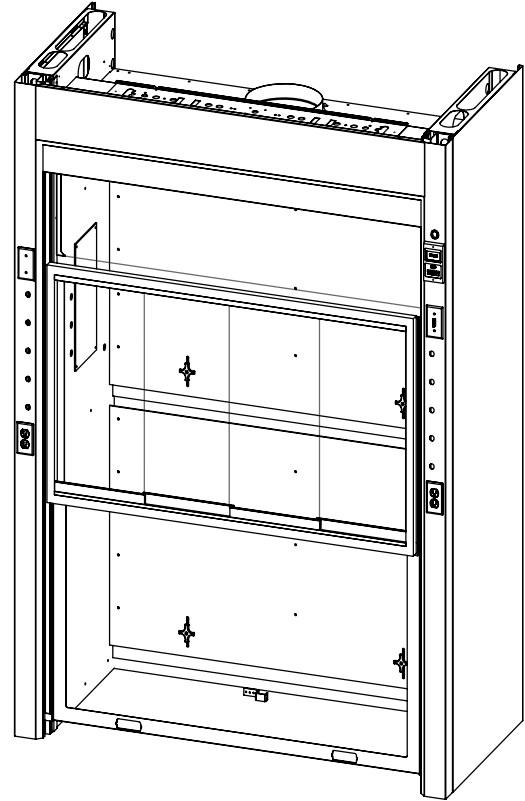
F-201-144 – 144" Walk-In Hood



F-201 ISOLATOR GEN-5 Walk-In Hood – Combination Sash

This ISOLATOR GENERATION-5 bypass walk-in fume hood with a combination sash mirrors the bench style unit in design and function. The top view pass is clear tempered glass. These units are normally used with tall setups where maximum clarity of vision is a priority. When floor mounted, the walk-in's top fascia aligns with a standard bench hood thus providing a clean look to any design utilizing both types of hood. The ISOLATOR Gen-5 design and construction enhances its value by providing:

- Unparalleled user safety
- Years of maintenance free service
- Unmatched ease of use
- Substantial energy savings via the sash configuration
- Unique design qualities for unlimited customization possibilities
- Field conversion between Constant Air Volume (CAV) and Variable Air Volume (VAV)
- Hoods available in “Knock Down” (KD) mode for transport and assembly in restricted areas



F-201 ISOLATOR GEN-5 Walk-In Hood Features

- Unsurpassed containment (designed and tested to exceed ASHRAE 110-1995)
- Hood is UL1805/CUL certified listed
- Unique chain driven sash mechanism that comes with a lifetime warranty
- Painted steel pan superstructure
- 17.25”H. clear observation glass panel, bypass system
- Non-metallic interior
- Vertical sashes provide the greatest hood interior access
- Full view combination sash with 66-1/2” upper and lower sash openings
- Quality engineering ensures years of reliable service

F-200 Series – Isolator Walk-In Fume Hoods – Ordering Information

F-201 GEN-5 Walk-In Hood Air Flow Data

Catalog Number	Duct Diameter	31 1/2" Vertical Open Upper Sash @ 100 FPM	18" Vertical Open @ 100 FPM	%50 Horizontal Open @ 100 FPM
F-201-48	1 : 10"	858 CFM @ .39 "SP	501 CFM @ .13 "SP	444 CFM @ .10 "SP
F-201-60	1 : 12"	1128 CFM @ .37 "SP	660 CFM @ .13 "SP	586 CFM @ .10 "SP
F-201-72	1 : 12"	1399 CFM @ .57 "SP	818 CFM @ .19 "SP	739 CFM @ .16 "SP
F-201-96	2 : 10"	1941 CFM @ .50 "SP	1135 CFM @ .17 "SP	1035 CFM @ .14 "SP

*50% Open may be achieved two ways:

1. Vertical sash open 15 3/4"; horizontal panels closed
2. Vertical sash closed; horizontal panels full open

F-201 GEN-5 Walk-In Hood Product Numbers

F-201-48G5	W-I 48"	Combo & Framed (2 trk)	24" Deep, Clear Interior
F-201-48G5D30	W-I 48"	Combo & Framed (2 trk)	30" Deep, Clear Interior
F-201-60G5	W-I 60"	Combo & Framed (2 trk)	24" Deep, Clear Interior
F-201-60G5D30	W-I 60"	Combo & Framed (2 trk)	30" Deep, Clear Interior
F-201-72G5	W-I 72"	Combo & Framed (2 trk)	24" Deep, Clear Interior
F-201-72G5D30	W-I 72"	Combo & Framed (2 trk)	30" Deep, Clear Interior
F-201-96G5	W-I 96"	Combo & Framed (2 trk)	24" Deep, Clear Interior
F-201-96G5D30	W-I 96"	Combo & Framed (2 trk)	30" Deep, Clear Interior

F-201 GEN-5 Walk-In Hood Liner Options

White Polyglass is standard. Please see the Hood Liners section for available options.

F-201 GEN-5 Walk-In Hood Electrical Options

Fascia is pre-punched with two electrical cutouts (four cutouts total). Please see the Electrical Fixtures section for available options.

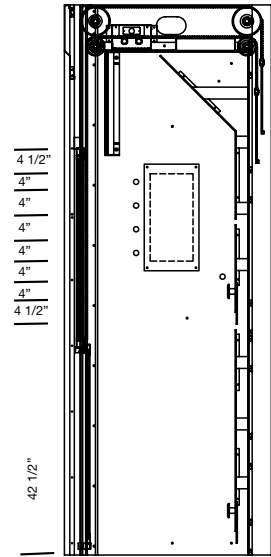
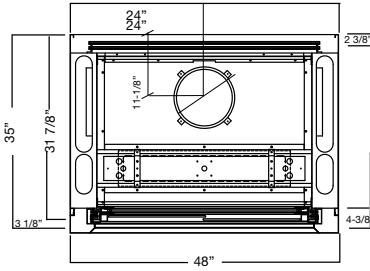
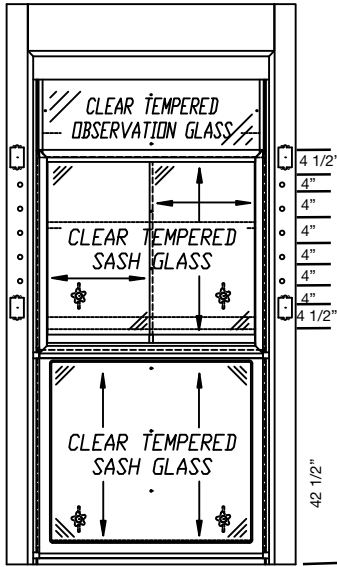
F-201 GEN-5 Walk-In Hood Plumbing Fixtures

Fascia is pre-punched with five 3/4" dia. holes to accept rod driven remote fixtures (ten holes total). Please see the Plumbing Fixtures section for available options.

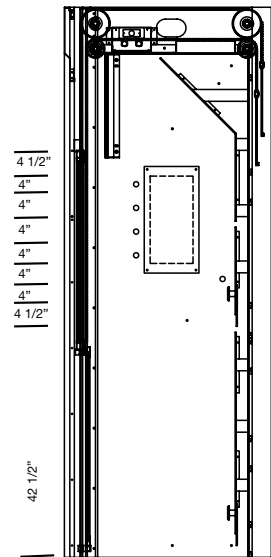
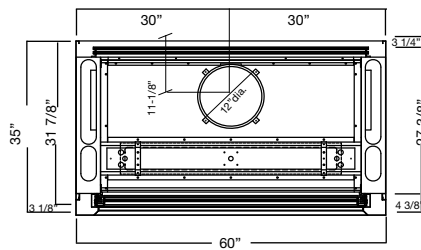
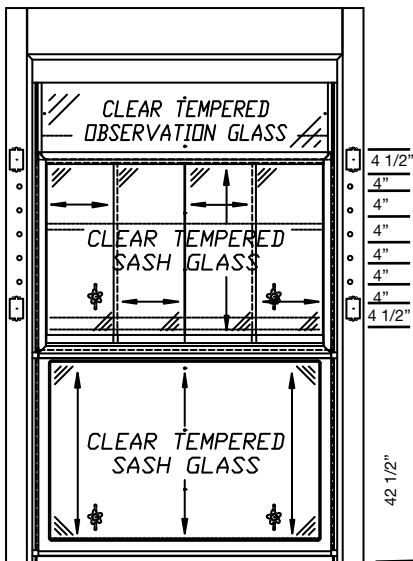
F-201 GEN-5 Walk-In Hood Fume Hood Accessories

Please see the Fume Hood Accessories section for available options.

F-201-48G5 - 48" WALK-IN FUME HOOD

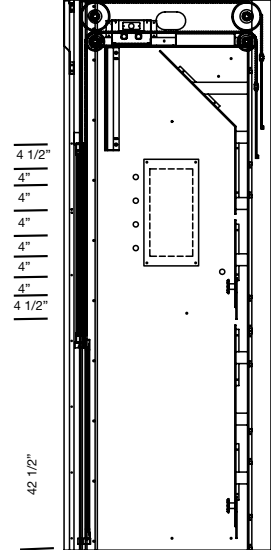
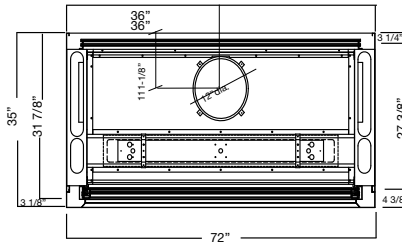
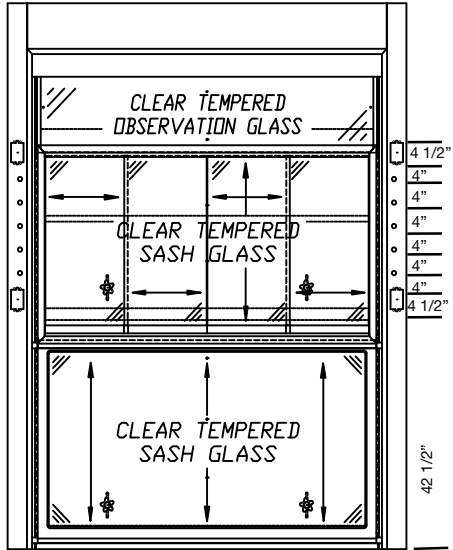


F-201-60G5 - 60" WALK-IN FUME HOOD

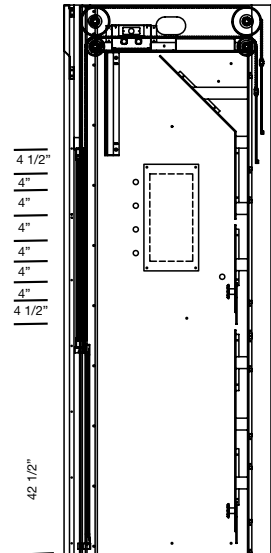
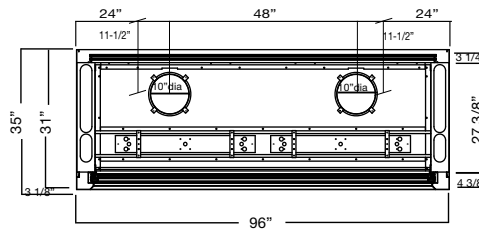
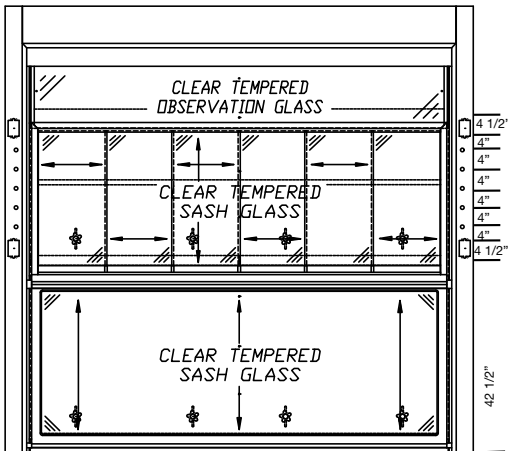


F-200 Series – Isolator Walk-In Fume Hoods – Product Dimensions

F-201-72G5 - 72" WALK-IN FUME HOOD



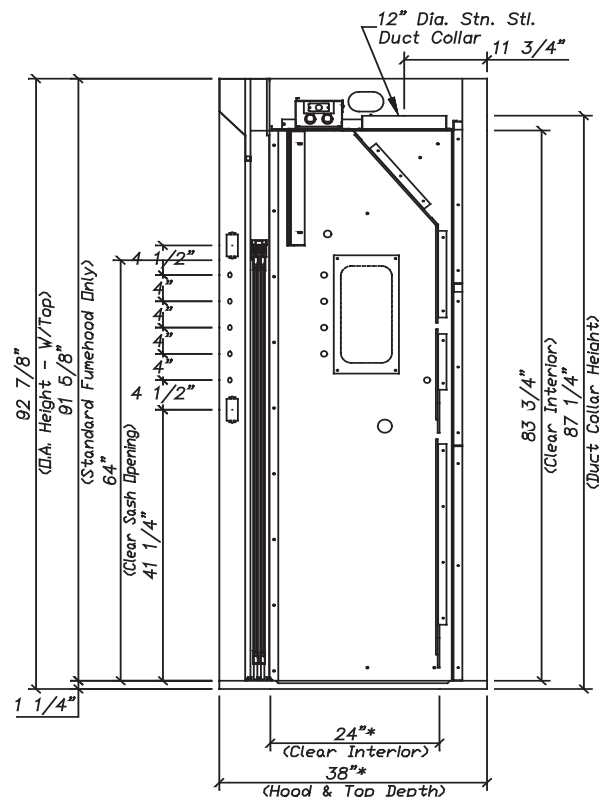
F-201-96G5 - 96" WALK-IN FUME HOOD



F-202 Walk-In Hood – Horizontal Sash

This ISOLATOR bypass walk-in fume hood with horizontal sashes is similar to the vertical sash model but has sliding horizontal panels instead of the window-type sashes. The top viewpass is furnished in smoked tempered glass. These units are normally used with tall setups where maximum clarity of vision is a priority and energy conservation is a concern. The ISOLATOR’s design and construction enhances its value by allowing:

- Unparalleled user safety
- Years of maintenance free service
- Unmatched ease of use
- Substantial energy savings via the sash configuration
- Unique design qualities for unlimited customization possibilities
- Field conversion between Constant Air Volume (CAV) and Variable Air Volume (VAV)
- Hoods available in “Knock Down” (KD) mode for transport and assembly in restricted areas



* NOTE: D30 HOOD DIMENSIONS: 30" (CLEAR INTERIOR) / 44" (TOP DEPTH) / 44" (DIA. DEPTH)

F-202 Walk-In Hood Features

- Unsurpassed containment (designed and tested to exceed ASHRAE 110-1995)
- Galvanized steel pan superstructure
- Transparent viewpass bypass system
- Stainless steel air foil
- Maximum sash opening is 50% of a vertical sash which results in energy savings based on reduced exhaust CFM
- Full view stainless steel horizontal sash
- Quality engineering ensures years of reliable service

F-200 Series – Isolator Walk-In Fume Hoods – Ordering Information

F-202 Walk-In Hood Air Flow Data

Catalog Number	Duct Diameter	31 1/2" Vertical Open Upper Sash @ 100 FPM	50% Horizontal Open @ 100 FPM
F-202-48	1 : 10"	NA	907 CFM @ .43 "SP
F-202-60	1 : 12"	NA	1159 CFM @ .39 "SP
F-202-72	1 : 12"	NA	1451 CFM @ .61 "SP
F-202-96	2 : 10"	NA	1994 CFM @ .53 "SP
F-202-120	2 : 12"	NA	2600 CFM @ .49 "SP
F-202-144	2 : 12"	NA	3144 CFM @ .72 "SP

F-202 Walk-In Hood Product Numbers

F-202-48	Walk-In 48"	Horizontal (2 trk)	
F-202-48D30	Walk-In 48"	Horizontal (2 trk)	30" Deep
F-202-60	Walk-In 60"	Horizontal (2 trk)	
F-202-60D30	Walk-In 60"	Horizontal (2 trk)	30" Deep
F-202-72	Walk-In 72"	Horizontal (2 trk)	
F-202-72D30	Walk-In 72"	Horizontal (2 trk)	30" Deep
F-202-96	Walk-In 96"	Horizontal (2 trk)	
F-202-96D30	Walk-In 96"	Horizontal (2 trk)	30" Deep
F-202-120	Walk-In 120"	Horizontal (2 trk)	
F-202-120D30	Walk-In 120"	Horizontal (2 trk)	30" Deep
F-202-144	Walk-In 144"	Horizontal (2 trk)	
F-202-144D30	Walk-In 144"	Horizontal (2 trk)	30" Deep

F-202 Walk-In Hood Liner Options

White Polyglass is standard. Please see the Hood Liners section for available options.

F-202 Walk-In Hood Electrical Options

Fascia is pre-punched with two electrical cutouts (four cutouts total). Please see the Electrical Fixtures section for available options.

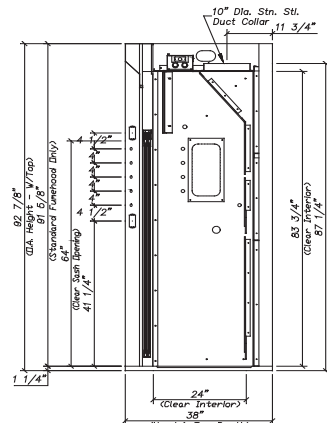
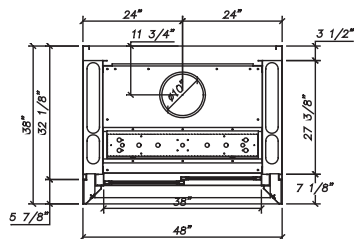
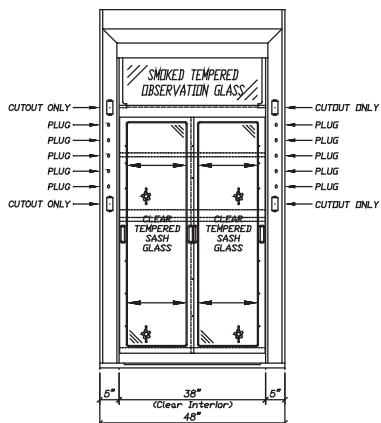
F-202 Walk-In Hood Plumbing Fixtures

Fascia is pre-punched with five 3/4" dia. holes to accept rod driven remote fixtures (ten holes total). Please see the Plumbing Fixtures section for available options.

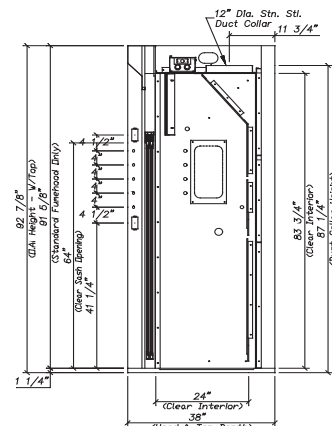
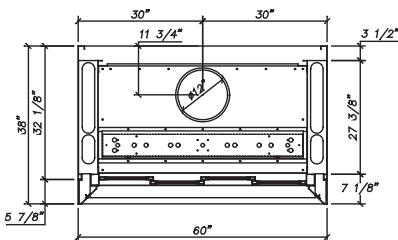
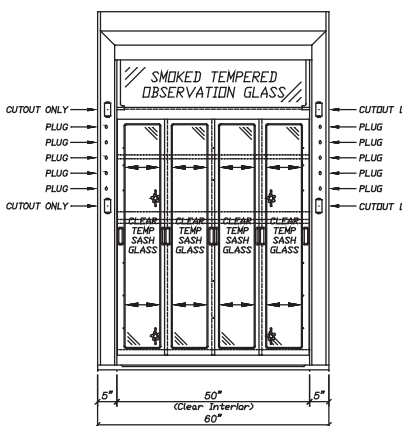
F-202 Walk-In Hood Fume Hood Accessories

Please see the Fume Hood Accessories section for available options.

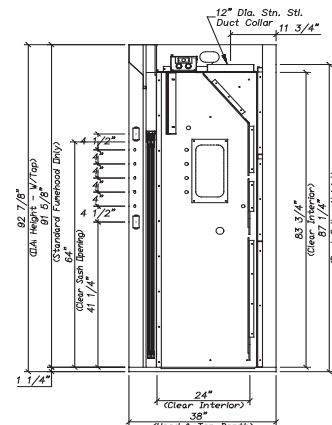
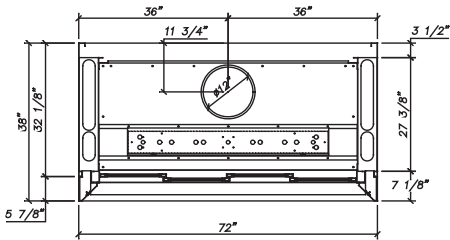
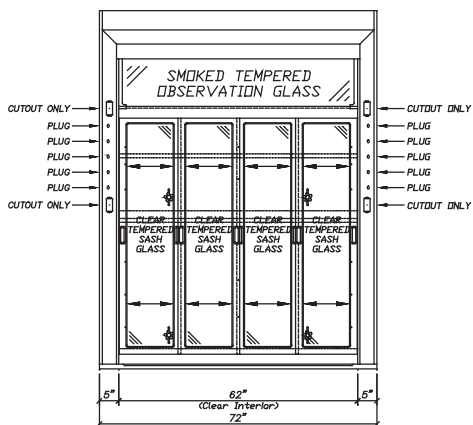
F-202-48 – 48" Walk-In Hood



F-202-60 – 60" Walk-In Hood

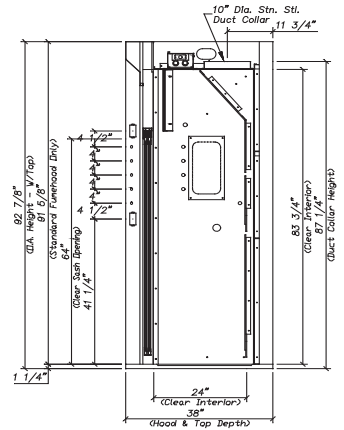
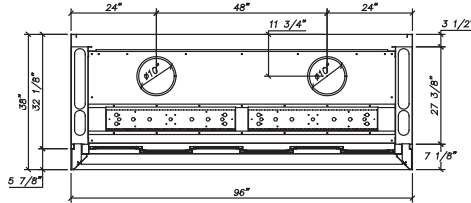
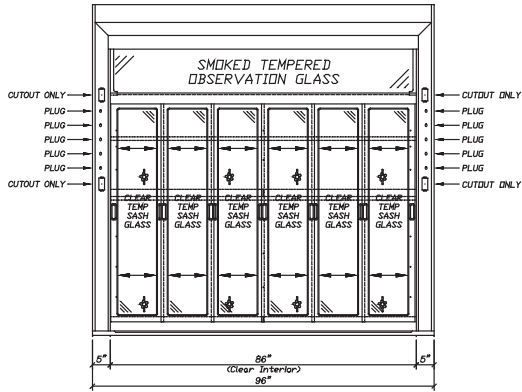


F-202-72 – 72" Walk-In Hood

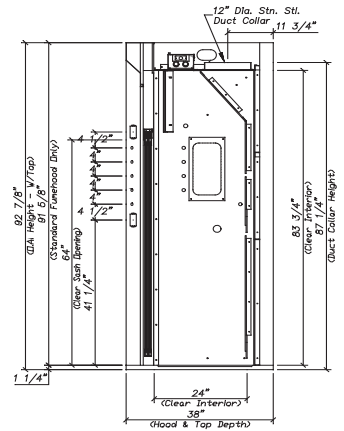
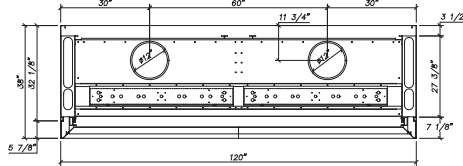
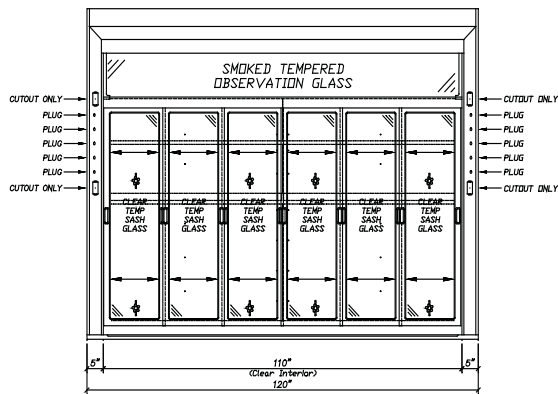


F-200 Series – Isolator Walk-In Fume Hoods – Product Dimensions

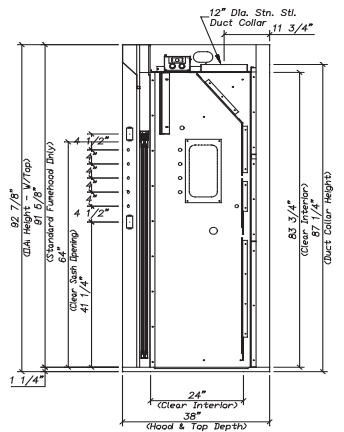
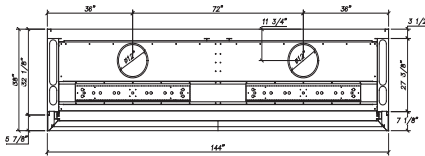
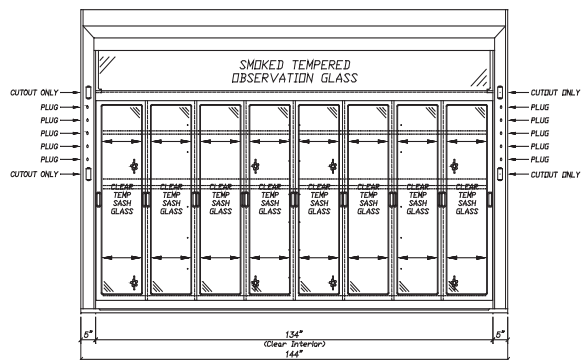
F-202-96 – 96" Walk-In Hood



F-202-120 – 120" Walk-In Hood



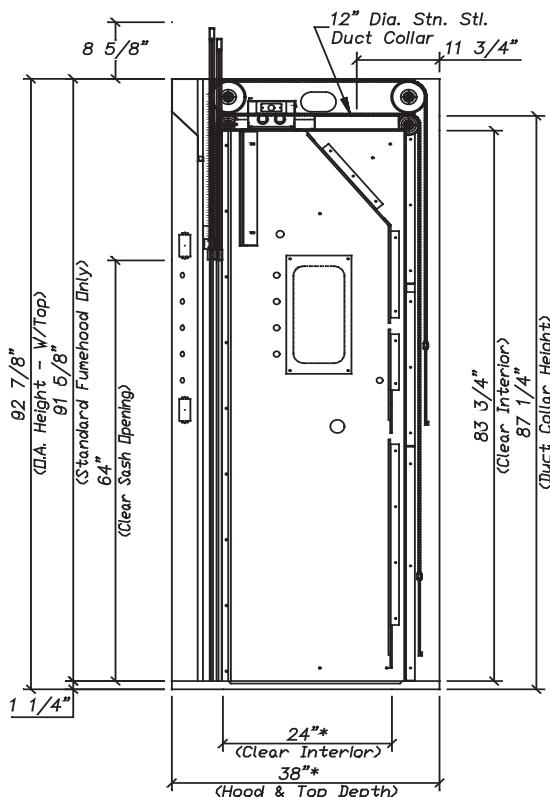
F-202-144 – 144" Walk-In Hood



F-203 Walk-In Hood – Framed Vertical Sash

This ISOLATOR bypass walk-in fume hood with the framed vertical sash mirrors the bench style unit in design and function. The top viewpass is smoked tempered glass. These units are normally used with tall setups where maximum clarity of vision is a priority. When floor mounted, the walk-in's top fascia aligns with a standard bench hood thus providing a clean look to any design utilizing both types of hood. The ISOLATOR's design and construction enhances its value by providing:

- Unparalleled user safety
- Full hood access for easy set ups
- Years of maintenance free service
- Unmatched ease of use
- Unique design qualities for unlimited customization possibilities
- Field conversion between Constant Air Volume (CAV) and Variable Air Volume (VAV)
- Hoods available in “Knock Down” (KD) mode for transport and assembly in restricted areas



* NOTE: D30 HOOD DIMENSIONS: 30" (CLEAR INTERIOR) 44" (TOP DEPTH) / 44" (D.A. DEPTH)

F-203 Walk-In Hood Features

- Unsurpassed containment (designed and tested to exceed ASHRAE 110-1995)
- Unique chain driven sash mechanism that comes with a lifetime warranty
- Galvanized steel pan superstructure
- Transparent viewpass bypass system
- Stainless steel air foil
- Vertical sashes provide the greatest hood interior access
- Full view frameless sash with 64" upper and lower sash openings
- Quality engineering ensures years of reliable service

F-200 Series – Isolator Walk-In Fume Hoods – Ordering Information

F-203 Walk-In Hood Air Flow Data

Catalog Number	Duct Diameter	31 1/2" Vertical Open Upper Sash @ 100 FPM	18" Vertical Open Upper Sash @ 100 FPM
F-203-48	1 : 10"	858 CFM @ .39 "SP	501 CFM @ .13 "SP
F-203-60	1 : 12"	1128 CFM @ .37 "SP	660 CFM @ .13 "SP
F-203-72	1 : 12"	1399 CFM @ .57 "SP	818 CFM @ .19 "SP
F-203-96	2 : 10"	1941 CFM @ .50 "SP	1135 CFM @ .17 "SP
F-203-120	2 : 12"	2483 CFM @ .45 "SP	1451 CFM @ .15 "SP
F-203-144	2 : 12"	3024 CFM @ .66 "SP	1768 CFM @ .23 "SP

F-203 Walk-In Hood Product Numbers

F-203-48	Walk-In 48"	Framed (2)	
F-203-48D30	Walk-In 48"	Framed (2)	30" Deep
F-203-60	Walk-In 60"	Framed (2)	
F-203-60D30	Walk-In 60"	Framed (2)	30" Deep
F-203-72	Walk-In 72"	Framed (2)	
F-203-72D30	Walk-In 72"	Framed (2)	30" Deep
F-203-96	Walk-In 96"	Framed (2)	
F-203-96D30	Walk-In 96"	Framed (2)	30" Deep
F-203-120	Walk-In 120"	Framed (2)	
F-203-120D30	Walk-In 120"	Framed (2)	30" Deep
F-203-144	Walk-In 144"	Framed (2)	
F-203-144D30	Walk-In 144"	Framed (2)	30" Deep

F-203 Walk-In Hood Liner Options

White Polyglass is standard. Please see the Hood Liners section for available options.

F-203 Walk-In Hood Electrical Options

Fascia is pre-punched with two electrical cutouts (four cutouts total). Please see the Electrical Fixtures section for available options.

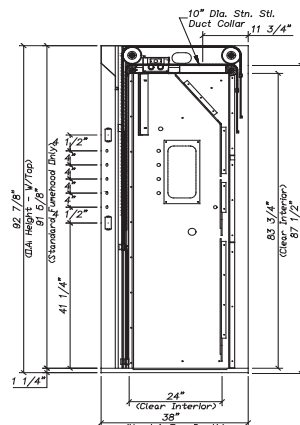
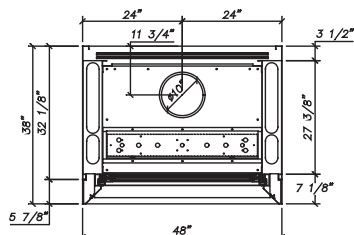
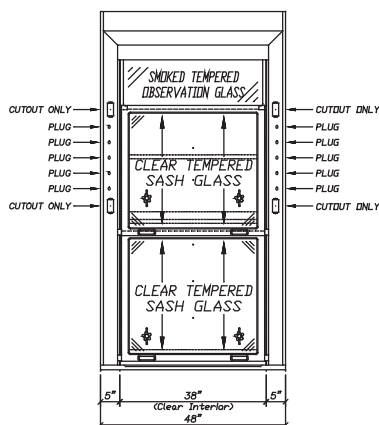
F-203 Walk-In Hood Plumbing Fixtures

Fascia is pre-punched with five 3/4" dia. holes to accept rod driven remote fixtures (ten holes total). Please see the Plumbing Fixtures section for available options.

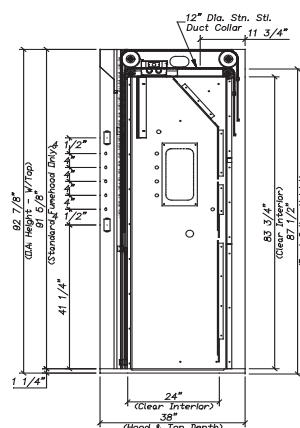
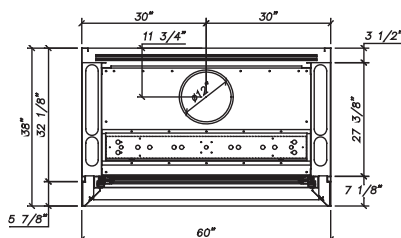
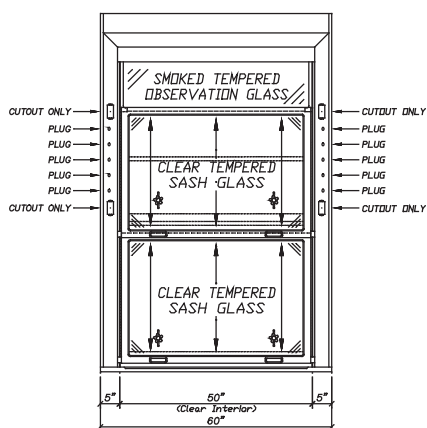
F-203 Walk-In Hood Fume Hood Accessories

Please see the Fume Hood Accessories section for available options.

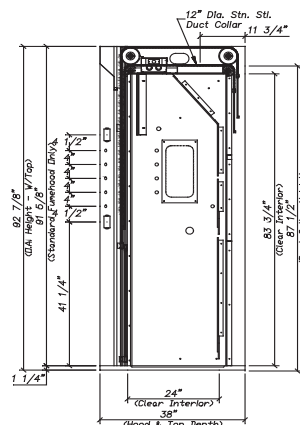
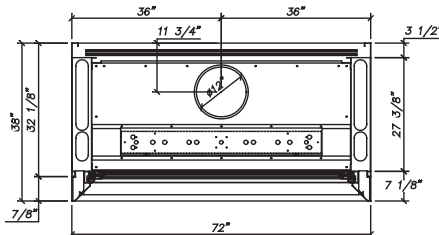
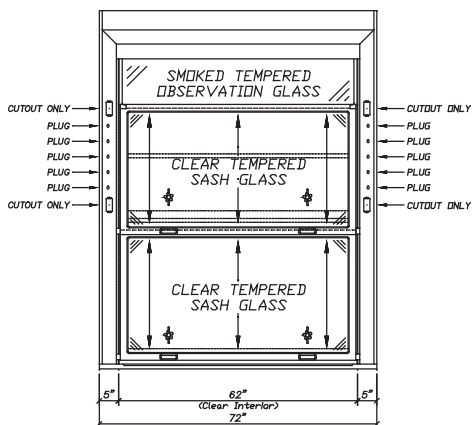
F-203-48 – 48" Walk-In Hood



F-203-60 – 60" Walk-In Hood

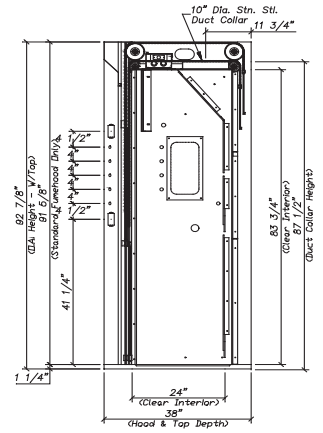
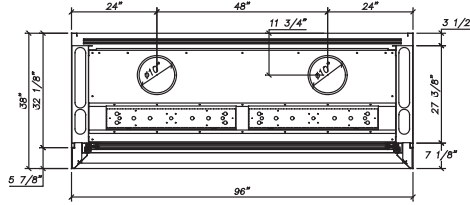
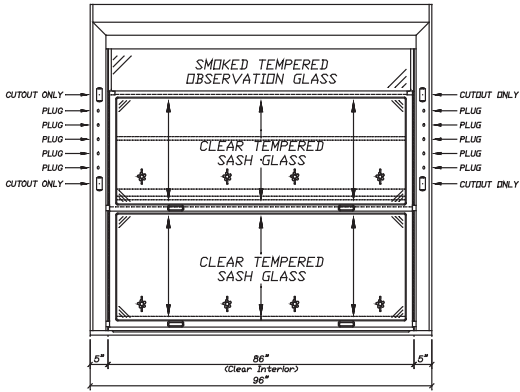


F-203-72 – 72" Walk-In Hood

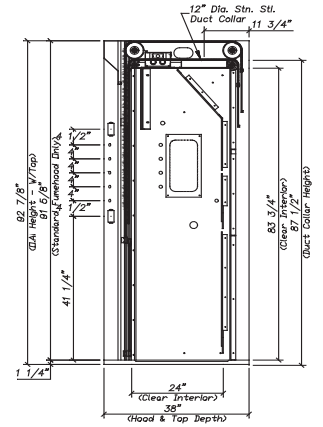
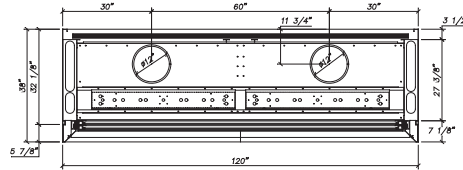
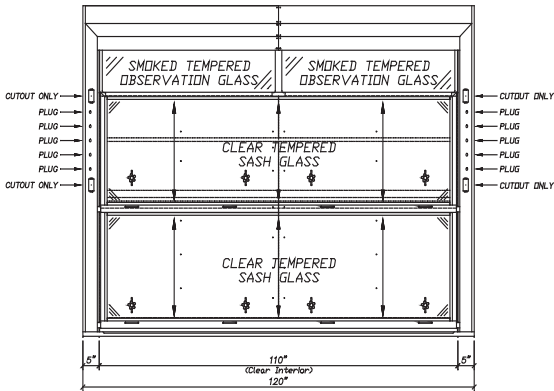


F-200 Series – Isolator Walk-In Fume Hoods – Product Dimensions

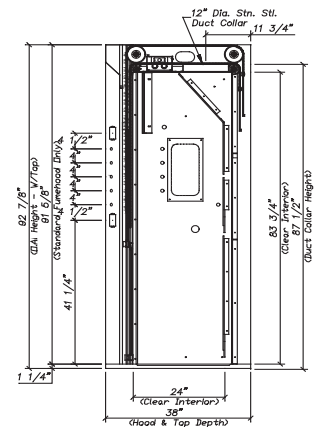
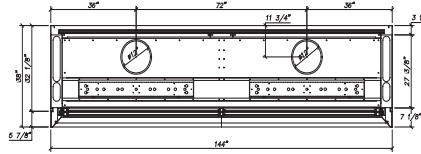
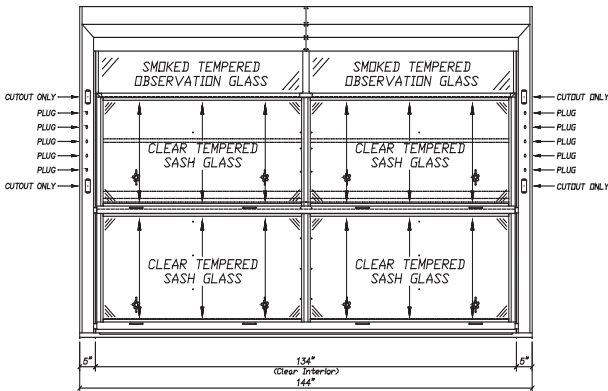
F-203-96 – 96" Walk-In Hood



F-203-120 – 120" Walk-In Hood



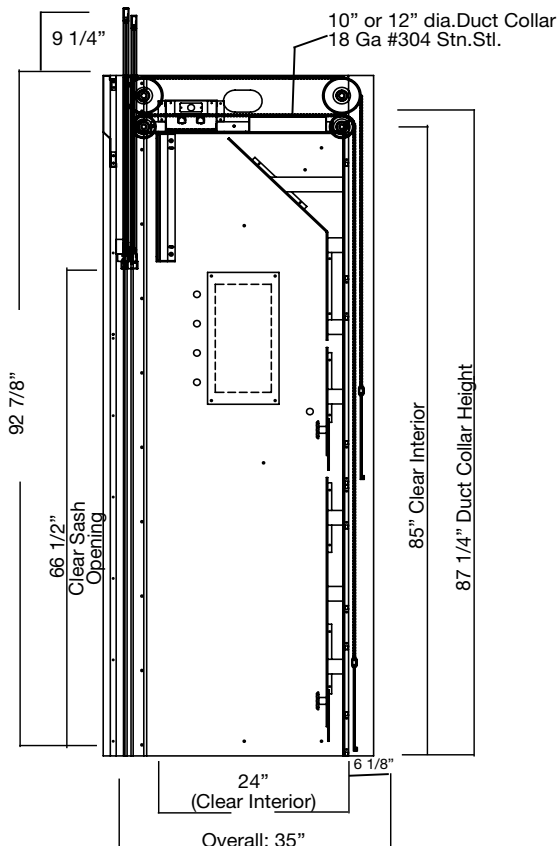
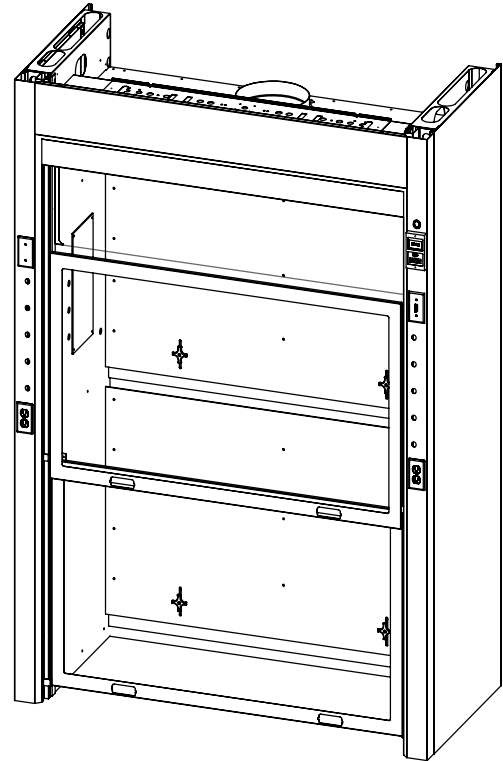
F-203-144 – 144" Walk-In Hood



F-203 ISOLATOR GEN-5 Walk-In Hood – Framed Vertical Sash

This ISOLATOR GENERATOR-5 bypass walk-in fume hood with the framed vertical sash mirrors the bench style unit in design and function. The top view pass is clear tempered glass. These units are normally used with tall setups where maximum clarity of vision is a priority. When floor mounted, the walk-in's top fascia aligns with a standard bench hood thus providing a clean look to any design utilizing both types of hood. The ISOLATOR GEN-5 design and construction enhances its value by providing:

- Unparalleled user safety
- Full hood access for easy set ups
- Years of maintenance free service
- Unmatched ease of use
- Unique design qualities for unlimited customization possibilities
- Field conversion between Constant Air Volume (CAV) and Variable Air Volume (VAV)
- Hoods available in “Knock Down” (KD) mode for transport and assembly in restricted areas



F-203 ISOLATOR GEN-5 Walk-In Hood Features

- Unsurpassed containment (designed and tested to exceed ASHRAE 110-1995)
- Hood is UL1805/CUL certified listed
- Unique chain driven sash mechanism that comes with a lifetime warranty
- Painted steel pan superstructure
- 17.25”H. clear observation glass panel, bypass system
- Non-metallic Interior
- Vertical sashes provide the greatest hood interior access
- Full view framed sash with 66-1/2" upper and lower sash openings
- Quality engineering ensures years of reliable service

F-200 Series – Isolator Walk-In Fume Hoods – Ordering Information

F-203 GEN-5 Walk-In Hood Air Flow Data

Catalog Number	Duct Diameter	31 1/2" Vertical Open Upper Sash @ 100 FPM	18" Vertical Open Upper Sash @ 100 FPM
F-203-48G5	1 : 10"	858 CFM @ .39 "SP	501 CFM @ .13 "SP
F-203-60G5	1 : 12"	1128 CFM @ .37 "SP	660 CFM @ .13 "SP
F-203-72G5	1 : 12"	1399 CFM @ .57 "SP	818 CFM @ .19 "SP
F-203-96G5	2 : 10"	1941 CFM @ .50 "SP	1135 CFM @ .17 "SP

F-203 GEN-5 Walk-In Hood Product Numbers

F-203-48G5	Walk-In 48"	Framed (2)	24" Deep, Clear Interior
F-203-48G5D30	Walk-In 48"	Framed (2)	30" Deep, Clear Interior
F-203-60G5	Walk-In 60"	Framed (2)	24" Deep, Clear Interior
F-203-60G5D30	Walk-In 60"	Framed (2)	30" Deep, Clear Interior
F-203-72G5	Walk-In 72"	Framed (2)	24" Deep, Clear Interior
F-203-72G5D30	Walk-In 72"	Framed (2)	30" Deep, Clear Interior
F-203-96G5	Walk-In 96"	Framed (2)	24" Deep, Clear Interior
F-203-96G5D30	Walk-In 96"	Framed (2)	30" Deep, Clear Interior

F-203 GEN-5 Walk-In Hood Liner Options

White Polyglass is standard. Please see the Hood Liners section for available options.

F-203 GEN-5 Walk-In Hood Electrical Options

Fascia is pre-punched with two electrical cutouts (four cutouts total). Please see the Electrical Fixtures section for available options.

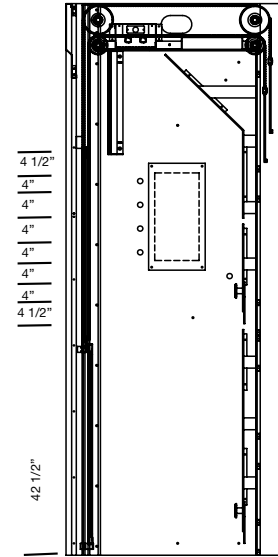
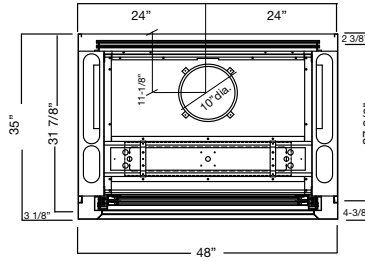
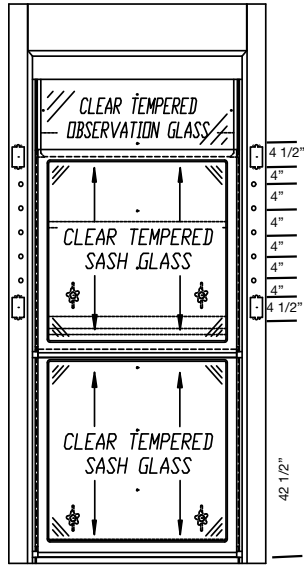
F-203 GEN-5 Walk-In Hood Plumbing Fixtures

Fascia is pre-punched with five 3/4" dia. holes to accept rod driven remote fixtures (ten holes total). Please see the Plumbing Fixtures section for available options.

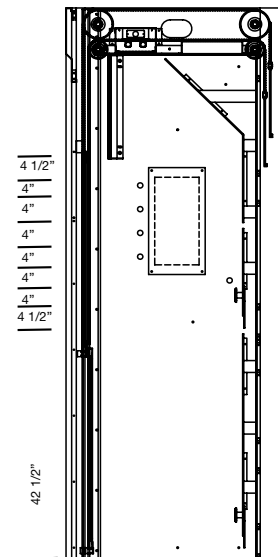
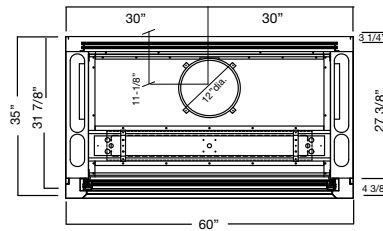
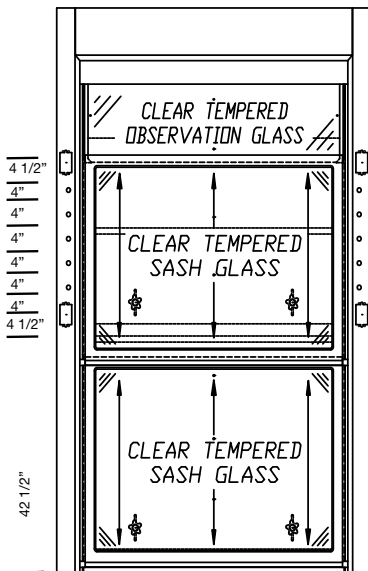
F-203 GEN-5 Walk-In Hood Fume Hood Accessories

Please see the Fume Hood Accessories section for available options.

F-203-48G5 - 48" WALK-IN FUME HOOD

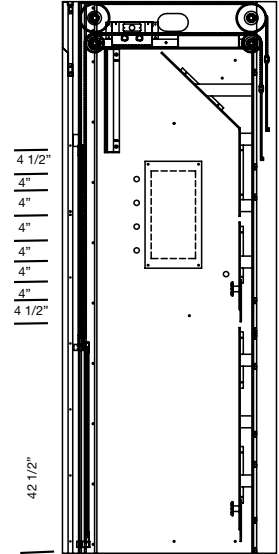
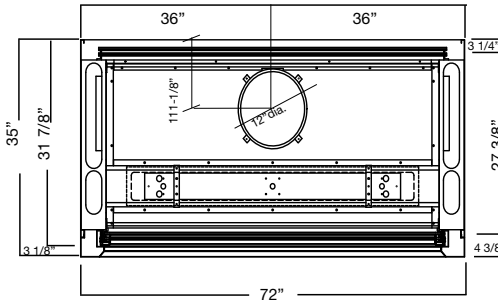
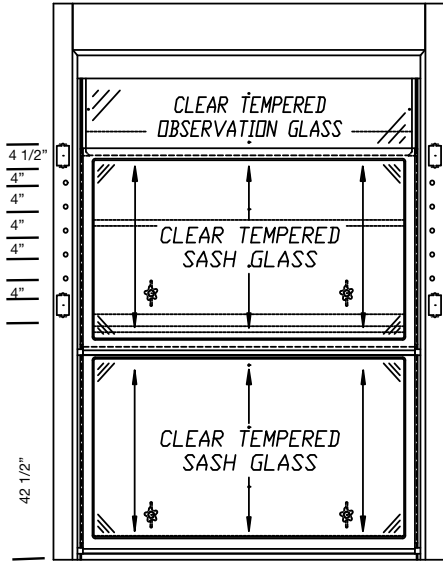


F-203-60G5 - 60" WALK-IN FUME HOOD

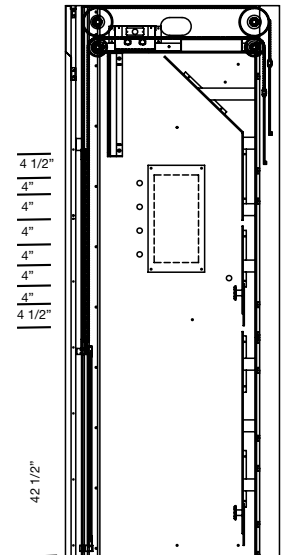
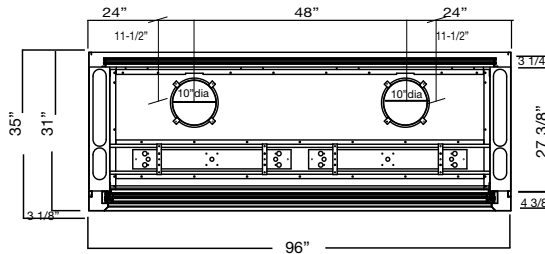
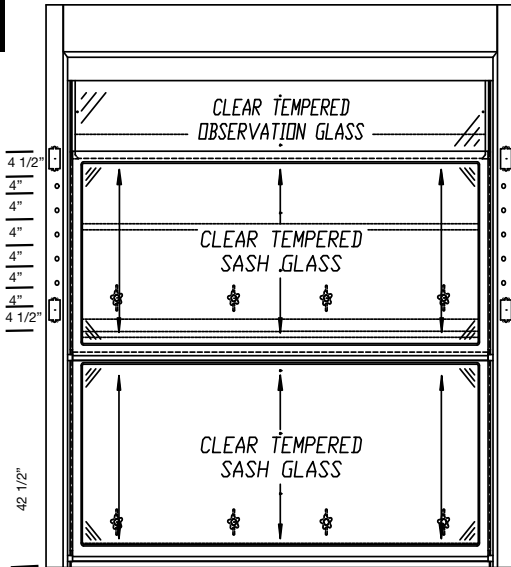


F-200 Series – Isolator Walk-In Fume Hoods – Product Dimensions

F-203-72G5 - 72" WALK-IN FUME HOOD



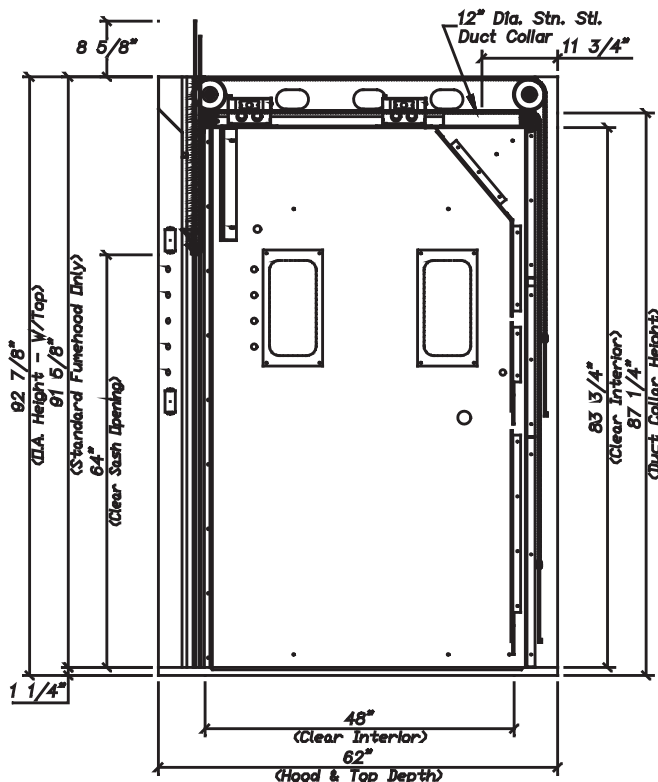
F-203-96G5 - 96" WALK-IN FUME HOOD



F-250 Walk-In Hood/Double Depth – Frameless Vertical Sash

This ISOLATOR double depth walk-in fume hood with the frameless vertical sash mirrors the bench style unit in design and function. The top viewpass is smoked tempered glass. These units are normally used with tall setups where maximum clarity of vision is a priority. When floor mounted, the walk-in's top fascia aligns with a standard bench hood thus providing a clean look to any design utilizing both types of hood. The ISOLATOR's design and construction enhances its value by providing:

- Unparalleled user safety
- Full hood access for easy set ups
- Years of maintenance free service
- Unmatched ease of use
- Unique design qualities for unlimited customization possibilities
- Field conversion between Constant Air Volume (CAV) and Variable Air Volume (VAV)
- Hoods available in “Knock Down” (KD) mode for transport and assembly in restricted areas



F-250 Walk-In Hood/Double Depth Features

- Unsurpassed containment (designed and tested to exceed ASHRAE 110-1995)
- Unique chain driven sash mechanism that comes with a lifetime warranty
- Galvanized steel pan superstructure
- Transparent viewpass bypass system
- Stainless steel air foil
- Aerodynamically designed Airplane wing style sash handle enhances the perimeter containment
- Vertical sashes provide the greatest hood interior access
- Full view frameless sash with 64" upper and lower sash openings
- Quality engineering ensures years of reliable service

F-200 Series – Isolator Walk-In Fume Hoods – Ordering Information

F-250 Walk-In Hood/Double Depth Air Flow Data

Catalog Number	Duct Diameter	31 1/2" Vertical Open Upper Sash @ 100 FPM	18" Vertical Open Upper Sash @ 100 FPM
F-250-72	1 : 12"	1399 CFM @ .57 "SP	818 CFM @ .19 "SP
F-250-96	2 : 10"	1941 CFM @ .50 "SP	1135 CFM @ .17 "SP

F-250 Walk-In Hood/Double Depth Product Numbers

F-250-72	Double Depth Walk-In 72"	Frameless
F-250-96	Double Depth Walk-In 96"	Frameless

F-250 Walk-In Hood/Double Depth Liner Options

White Polyglass is standard. Please see the Hood Liners section for available options.

F-250 Walk-In Hood/Double Depth Electrical Options

Fascia is pre-punched with two electrical cutouts (four cutouts total). Please see the Electrical Fixtures section for available options.

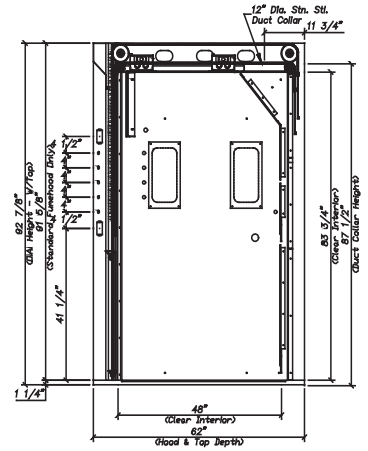
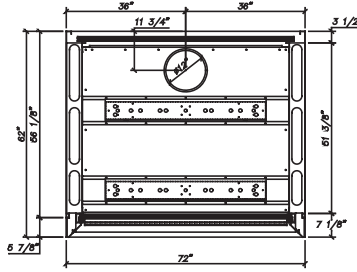
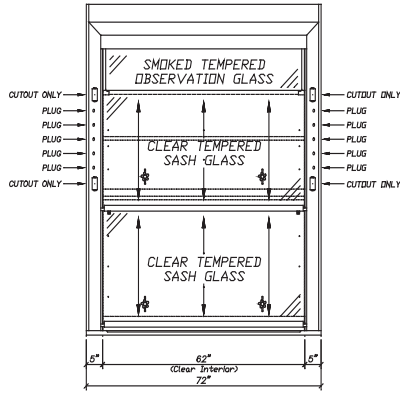
F-250 Walk-In Hood/Double Depth Plumbing Fixtures

Fascia is pre-punched with five 3/4" dia. holes to accept rod driven remote fixtures (ten holes total). Please see the Plumbing Fixtures section for available options.

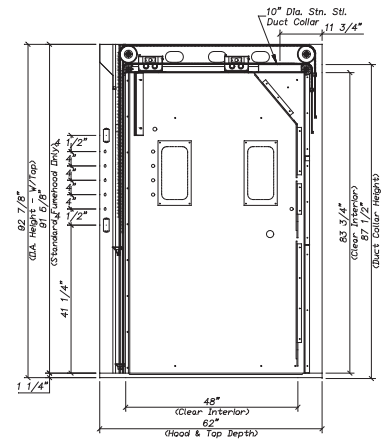
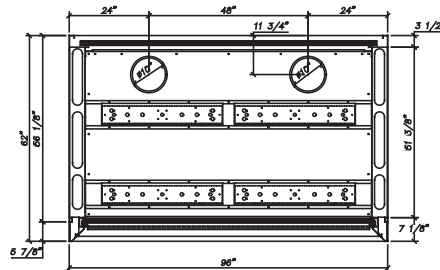
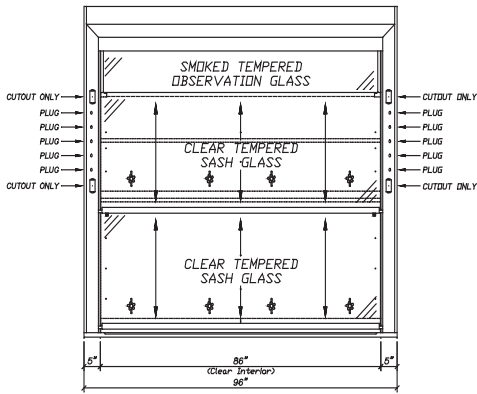
F-250 Walk-In Hood/Double Depth Fume Hood Accessories

Please see the Fume Hood Accessories section for available options.

F-250-72 – 72" Walk-In Hood/Double Depth



F-250-96 – 96" Walk-In Hood/Double Depth



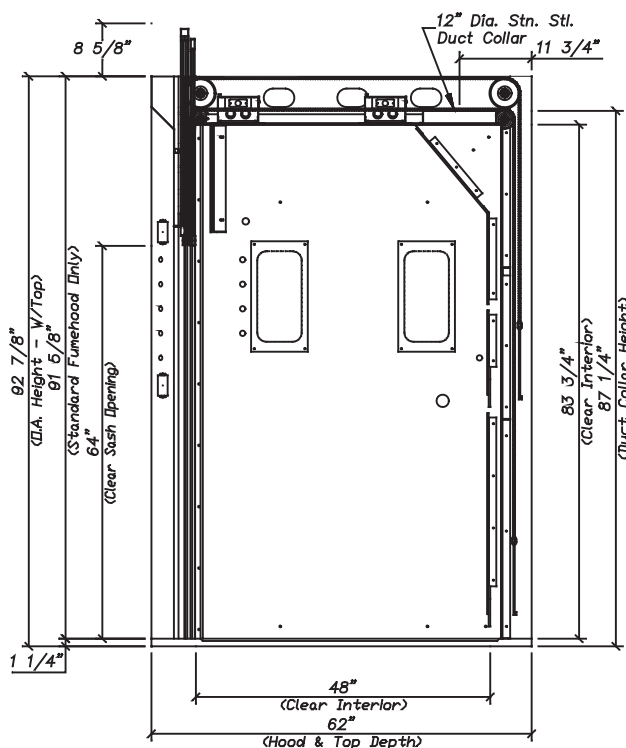


This page was intentionally left blank.

F-251 Walk-In Hood/Double Depth – Combination Sash

This ISOLATOR double depth walk-in fume hood with a combination sash mirrors the bench style unit in design and function. The top viewpass is smoked tempered glass. These units are normally used with tall setups where maximum clarity of vision is a priority. When floor mounted, the walk-in's top fascia aligns with a standard bench hood thus providing a clean look to any design utilizing both types of hood. The ISOLATOR's design and construction enhances its value by providing:

- Unparalleled user safety
- Years of maintenance free service
- Unmatched ease of use
- Substantial energy savings via the sash configuration
- Unique design qualities for unlimited customization possibilities
- Field conversion between Constant Air Volume (CAV) and Variable Air Volume (VAV)
- Hoods available in "Knock Down" (KD) mode for transport and assembly in restricted areas



F-251 Walk-In Hood/Double Depth Features

- Unsurpassed containment (designed and tested to exceed ASHRAE 110-1995)
- Unique chain driven sash mechanism that comes with a lifetime warranty
- Galvanized steel pan superstructure
- Transparent viewpass bypass system
- Stainless steel air foil
- Offers the best features of both the vertical and horizontal sashes thus allowing flexible interior access while minimizing the sash opening for energy savings
- Full view stainless steel upper combination sash with 64" upper sash opening
- Quality engineering ensures years of reliable service

F-200 Series – Isolator Walk-In Fume Hoods – Ordering Information

F-251 Walk-In Hood/Double Depth Air Flow Data

Catalog Number	Duct Diameter	31 1/2" Vertical Open Upper Sash @ 100 FPM	18" Vertical Open @ 100 FPM	%50 Horizontal Open @ 100 FPM
F-251-72	1 : 12"	1399 CFM @ .57 "SP	818 CFM @ .19 "SP	739 CFM @ .16 "SP
F-251-96	2 : 10"	1941 CFM @ .50 "SP	1135 CFM @ .17 "SP	1035 CFM @ .14 "SP
F-251-120	2 : 12"	2483 CFM @ .45 "SP	1451 CFM @ .15 "SP	1330 CFM @ .13 "SP
F-251-144	2 : 12"	3024 CFM @ .66 "SP	1768 CFM @ .23 "SP	1628 CFM @ .19 "SP

*50% Open may be achieved two ways:

1. Vertical sash open 15 3/4"; horizontal panels closed
2. Vertical sash closed; horizontal panels full open

F-251 Walk-In Hood/Double Depth Product Numbers

F-251-72	Double Depth Walk-In 72"	Combination Sash
F-251-96	Double Depth Walk-In 96"	Combination Sash
F-251-120	Double Depth Walk-In 120"	Combination Sash
F-251-144	Double Depth Walk-In 144"	Combination Sash

F-251 Walk-In Hood/Double Depth Liner Options

White Polyglass is standard. Please see the Hood Liners section for available options.

F-251 Walk-In Hood/Double Depth Electrical Options

Fascia is pre-punched with two electrical cutouts (four cutouts total). Please see the Electrical Fixtures section for available options.

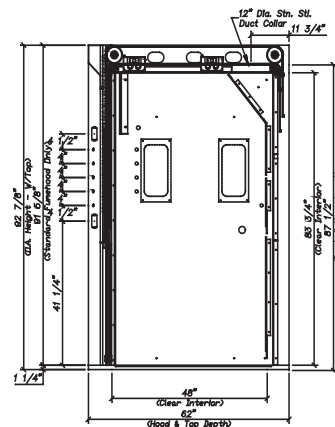
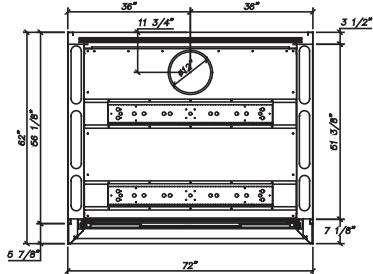
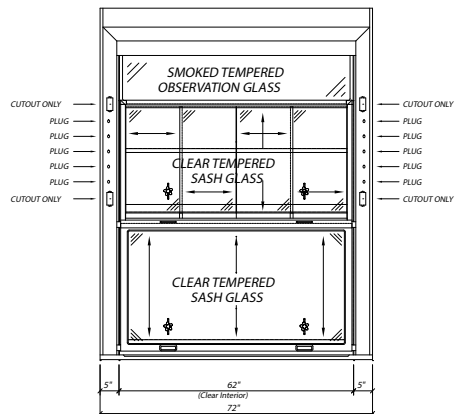
F-251 Walk-In Hood/Double Depth Plumbing Fixtures

Fascia is pre-punched with five 3/4" dia. holes to accept rod driven remote fixtures (ten holes total). Please see the Plumbing Fixtures section for available options.

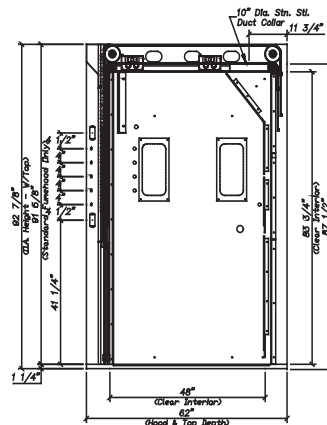
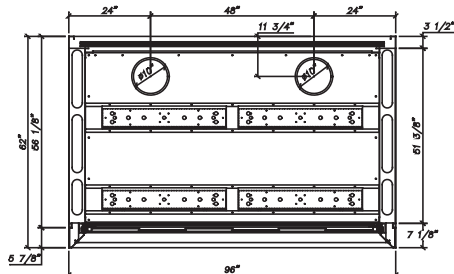
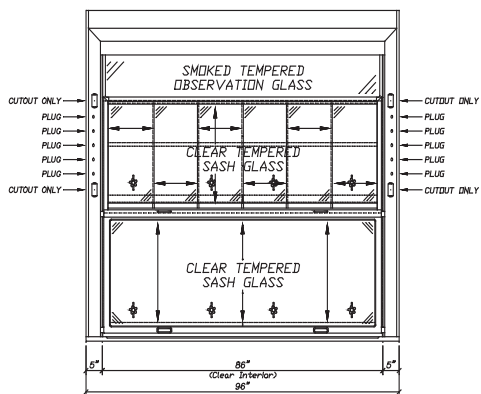
F-251 Walk-In Hood/Double Depth Fume Hood Accessories

Please see the Fume Hood Accessories section for available options.

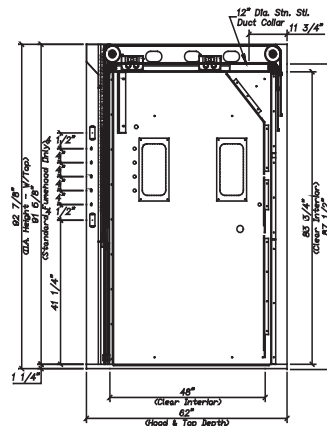
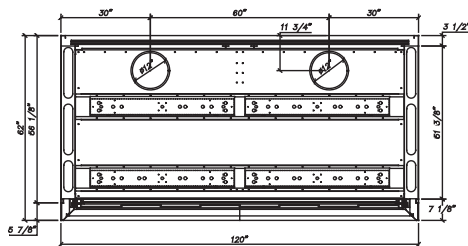
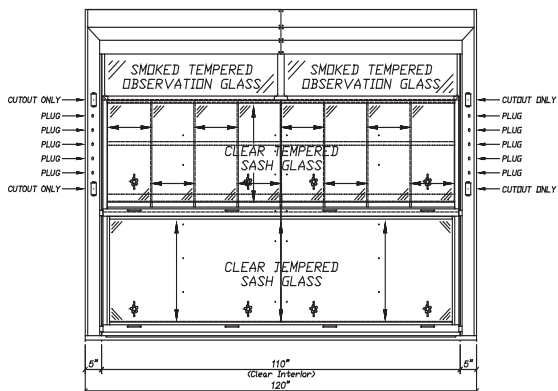
F-251-72 – 72" Walk-In Hood/Double Depth



F-251-96 – 96" Walk-In Hood/Double Depth

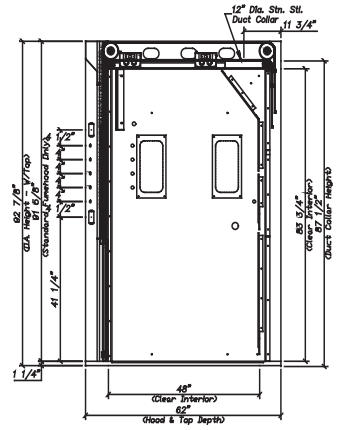
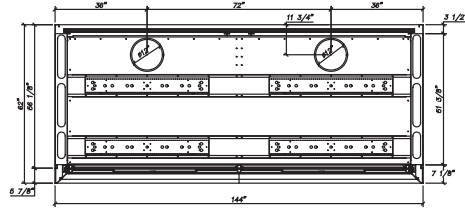
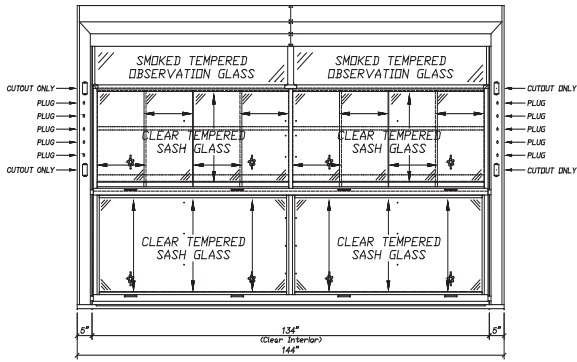


F-251-120 – 120" Walk-In Hood/Double Depth



F-200 Series – Isolator Walk-In Fume Hoods – Product Dimensions

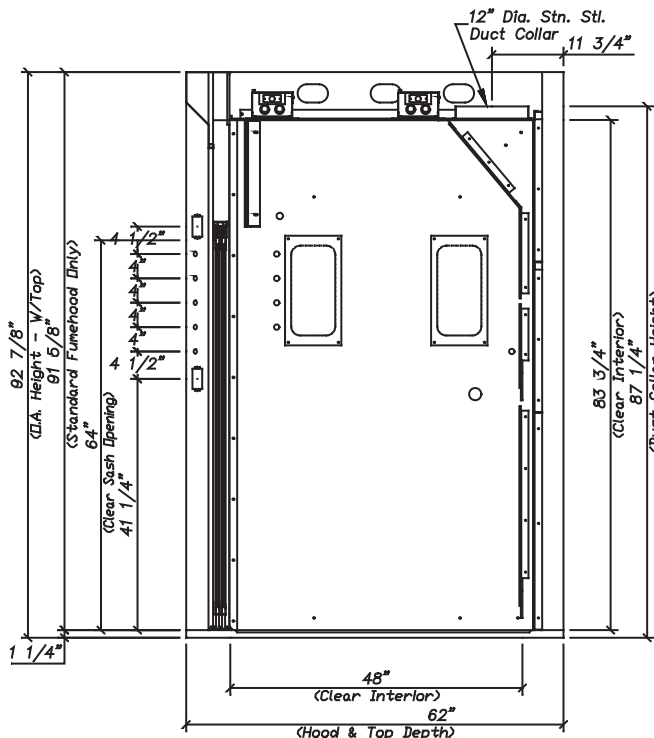
F-251-144 – 144" Walk-In Hood/Double Depth



F-252 Walk-In Hood/Double Depth – Horizontal Sash

This ISOLATOR double depth walk-in fume hood with horizontal sashes is similar to the vertical sash model but has sliding horizontal panels instead of the window-type sashes. The top Viewpass is furnished in smoked tempered glass. These units are normally used with tall setups where maximum clarity of vision is a priority and energy conservation is a concern. The ISOLATOR’s design and construction enhances its value by allowing:

- Unparalleled user safety
- Years of maintenance free service
- Unmatched ease of use
- Substantial energy savings via the sash configuration
- Unique design qualities for unlimited customization possibilities
- Field conversion between Constant Air Volume (CAV) and Variable Air Volume (VAV)
- Hoods available in “Knock Down” (KD) mode for transport and assembly in restricted areas



F-252 Walk-In Hood/Double Depth Features

- Unsurpassed containment (designed and tested to exceed ASHRAE 110-1995)
- Galvanized steel pan superstructure
- Transparent viewpass bypass system
- Stainless steel air foil
- Maximum sash opening is 50% of a vertical sash which results in energy savings based on reduced exhaust CFM
- Full view frameless sash with 64" upper and lower sash openings
- Quality engineering ensures years of reliable service

F-200 Series – Isolator Walk-In Fume Hoods – Ordering Information

F-252 Walk-In Hood/Double Depth Air Flow Data

Catalog Number	Duct Diameter	28" Open Upper Sash @ 100 FPM	50% Horizontal Open @ 100 FPM
F-252-72	1 : 12"	NA	1451 CFM @ .61 "SP
F-252-96	2 : 10"	NA	1994 CFM @ .53 "SP
F-252-120	2 : 12"	NA	2600 CFM @ .49 "SP
F-252-144	2 : 12"	NA	3144 CFM @ .72 "SP

F-252 Walk-In Hood/Double Depth Product Numbers

F-252-72	Double Depth Walk-In 72"	Horizontal Sash
F-252-96	Double Depth Walk-In 96"	Horizontal Sash
F-252-120	Double Depth Walk-In 120"	Horizontal Sash
F-252-144	Double Depth Walk-In 144"	Horizontal Sash

F-252 Walk-In Hood/Double Depth Liner Options

White Polyglass is standard. Please see the Hood Liners section for available options.

F-252 Walk-In Hood/Double Depth Electrical Options

Fascia is pre-punched with two electrical cutouts (four cutouts total). Please see the Electrical Fixtures section for available options.

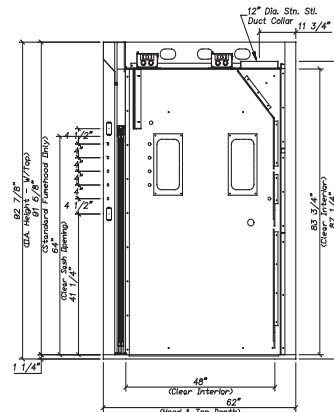
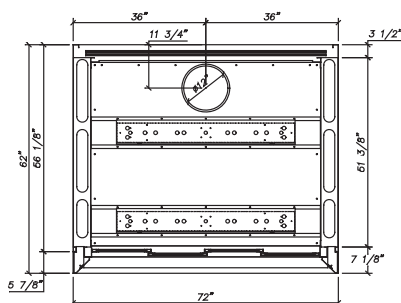
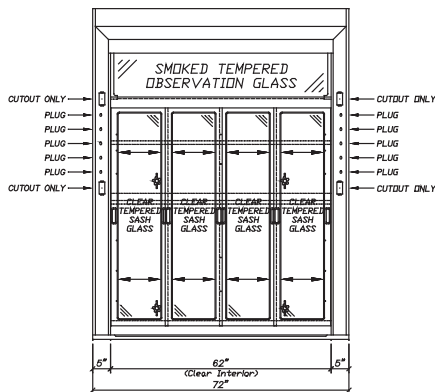
F-252 Walk-In Hood/Double Depth Plumbing Fixtures

Fascia is pre-punched with five 3/4" dia. holes to accept rod driven remote fixtures (ten holes total). Please see the Plumbing Fixtures section for available options.

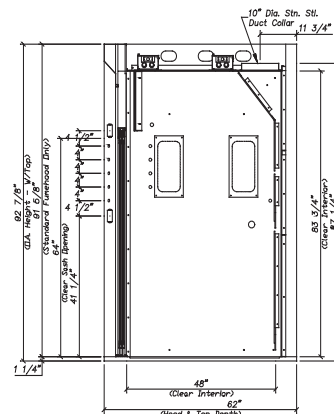
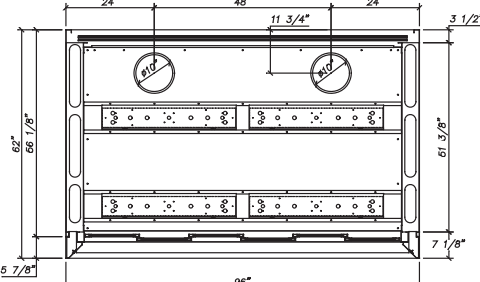
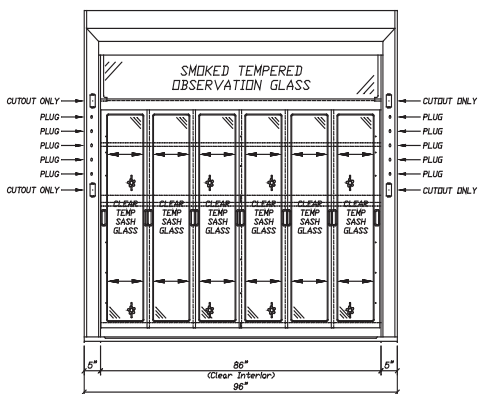
F-252 Walk-In Hood/Double Depth Fume Hood Accessories

Please see the Fume Hood Accessories section for available options.

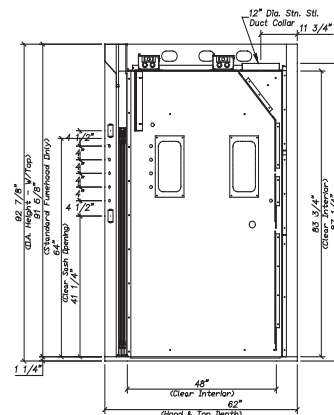
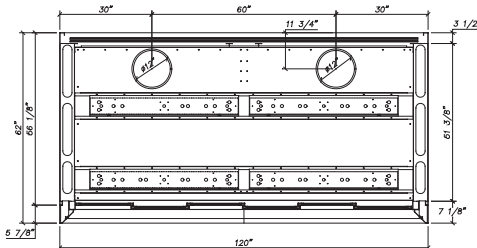
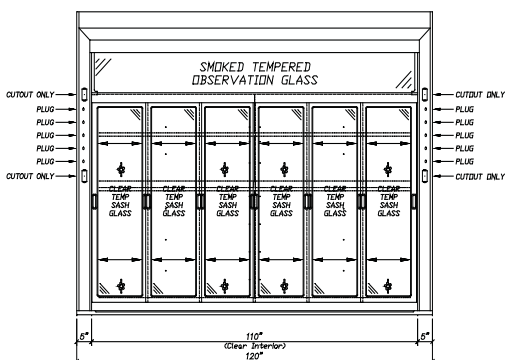
F-252-72 – 72" Walk-In Hood/Double Depth



F-252-96 – 96" Walk-In Hood/Double Depth

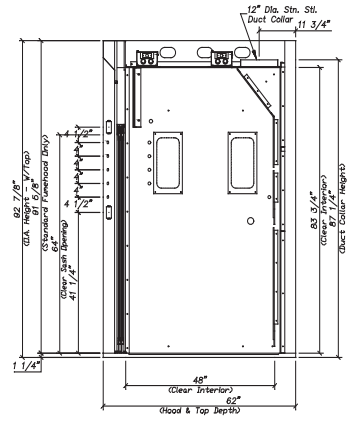
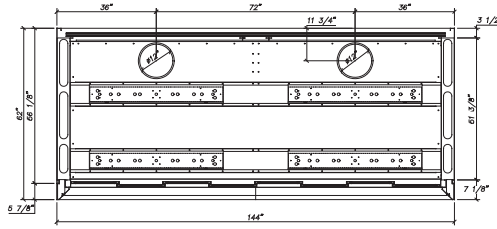
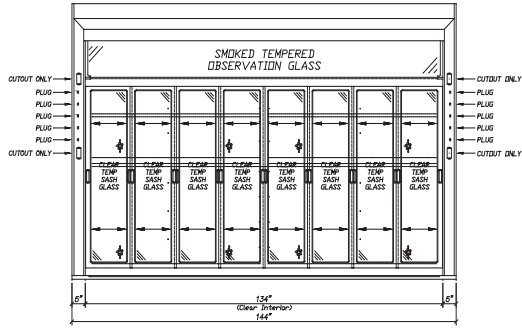


F-252-120 – 120" Walk-In Hood/Double Depth



F-200 Series – Isolator Walk-In Fume Hoods – Product Dimensions

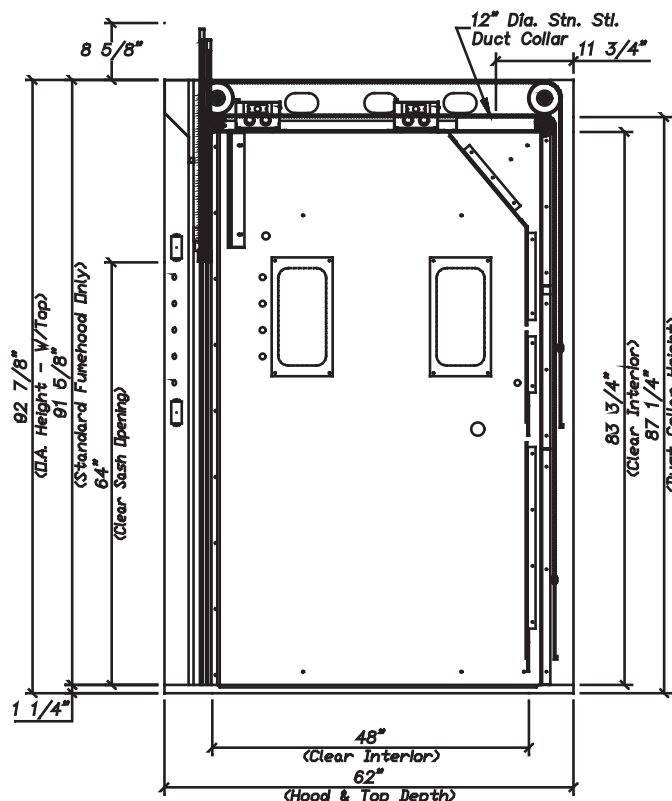
F-252-144 – 144" Walk-In Hood



F-253 Walk-In Hood/Double Depth – Framed Vertical Sash

This ISOLATOR double depth walk-in fume hood with the framed vertical sash mirrors the bench style unit in design and function with a traditional look. The top Viewpass is smoked tempered glass. These units are normally used with tall setups where maximum clarity of vision is a priority. When floor mounted the walk-In's top fascia aligns with a standard bench hood thus providing a clean look to any design utilizing both types of hood. The ISOLATOR's design and construction enhances its value by allowing:

- Unparalleled user safety
- Full hood access for easy set ups
- Years of maintenance free service
- Unmatched ease of use
- Unique design qualities for unlimited customization possibilities
- Field conversion between Constant Air Volume (CAV) and Variable Air Volume (VAV)
- Hoods available in “Knock Down” (KD) mode for transport and assembly in restricted areas



F-253 Walk-In Hood/Double Depth Features

- Unsurpassed containment (designed and tested to exceed ASHRAE 110-1995)
- Unique chain driven sash mechanism that comes with a lifetime warranty
- Galvanized steel pan superstructure
- Transparent viewpass bypass system
- Stainless steel air foil
- Vertical sashes provide the greatest hood interior access
- Full view frameless sash with 64" upper and lower sash openings
- Quality engineering ensures years of reliable service

F-200 Series – Isolator Walk-In Fume Hoods – Ordering Information

F-253 Walk-In Hood/Double Depth Air Flow Data

Catalog Number	Duct Diameter	31 1/2" Vertical Open Upper Sash @ 100 FPM	18" Vertical Open Upper Sash @ 100 FPM
F-253-72	1 : 12"	1399 CFM @ .57 "SP	818 CFM @ .19 "SP
F-253-96	2 : 10"	1941 CFM @ .50 "SP	1135 CFM @ .17 "SP
F-253-120	2 : 12"	2483 CFM @ .45 "SP	1451 CFM @ .15 "SP
F-253-144	2 : 12"	3024 CFM @ .66 "SP	1768 CFM @ .23 "SP

F-253 Walk-In Hood/Double Depth Product Numbers

F-253-72	Double Depth Walk-In 72"	Framed Sash
F-253-96	Double Depth Walk-In 96"	Framed Sash
F-253-120	Double Depth Walk-In 120"	Framed Sash
F-253-144	Double Depth Walk-In 144"	Framed Sash

F-253 Walk-In Hood/Double Depth Liner Options

White Polyglass is standard. Please see the Hood Liners section for available options.

F-253 Walk-In Hood/Double Depth Electrical Options

Fascia is pre-punched with two electrical cutouts (four cutouts total). Please see the Electrical Fixtures section for available options.

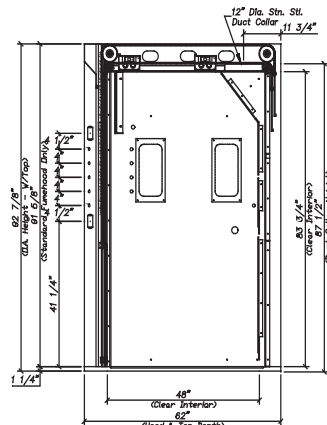
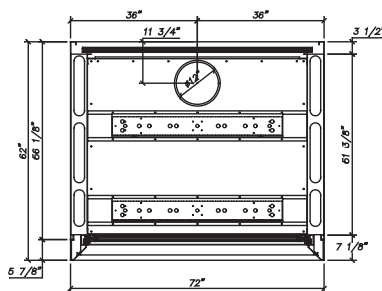
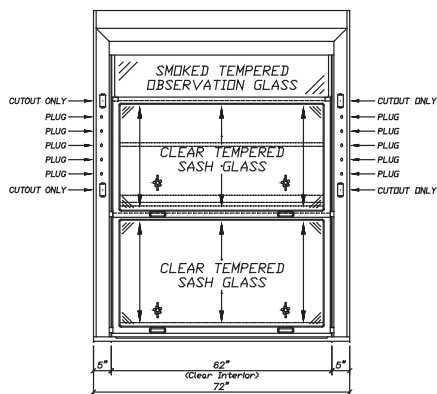
F-253 Walk-In Hood/Double Depth Plumbing Fixtures

Fascia is pre-punched with five 3/4" dia. holes to accept rod driven remote fixtures (ten holes total). Please see the Plumbing Fixtures section for available options.

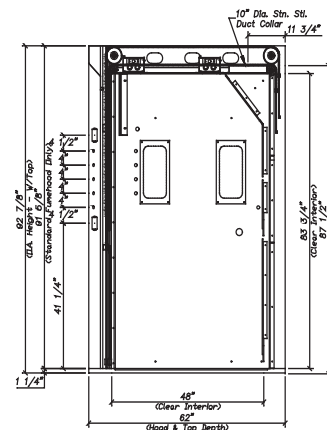
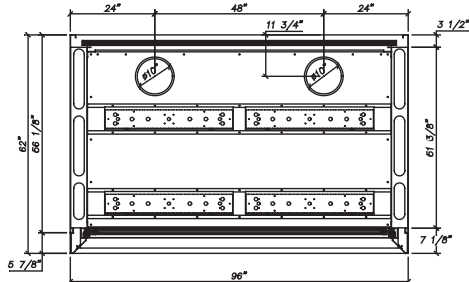
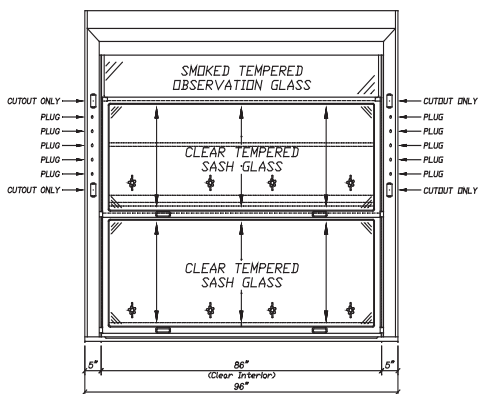
F-253 Walk-In Hood/Double Depth Fume Hood Accessories

Please see the Fume Hood Accessories section for available options.

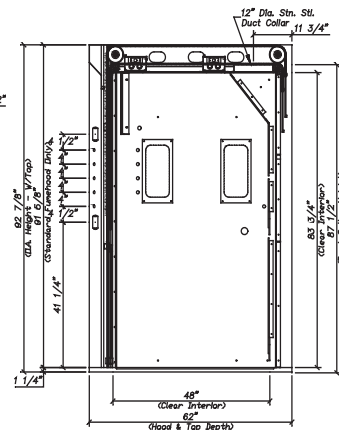
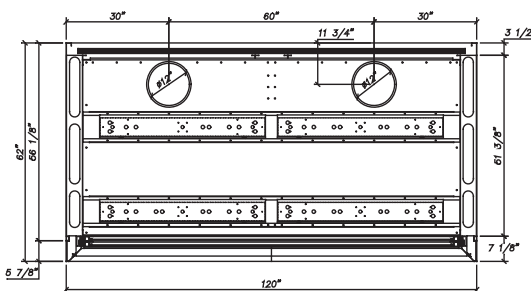
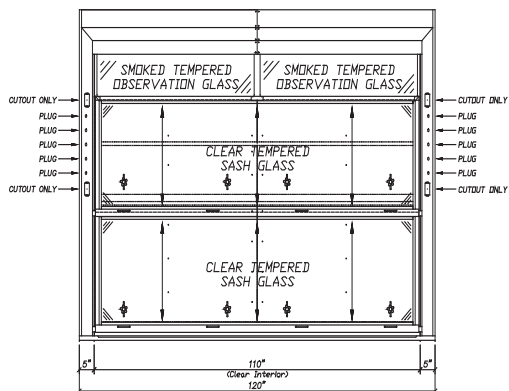
F-253-72 – 72" Walk-In Hood/Double Depth



F-253-96 – 96" Walk-In Hood/Double Depth

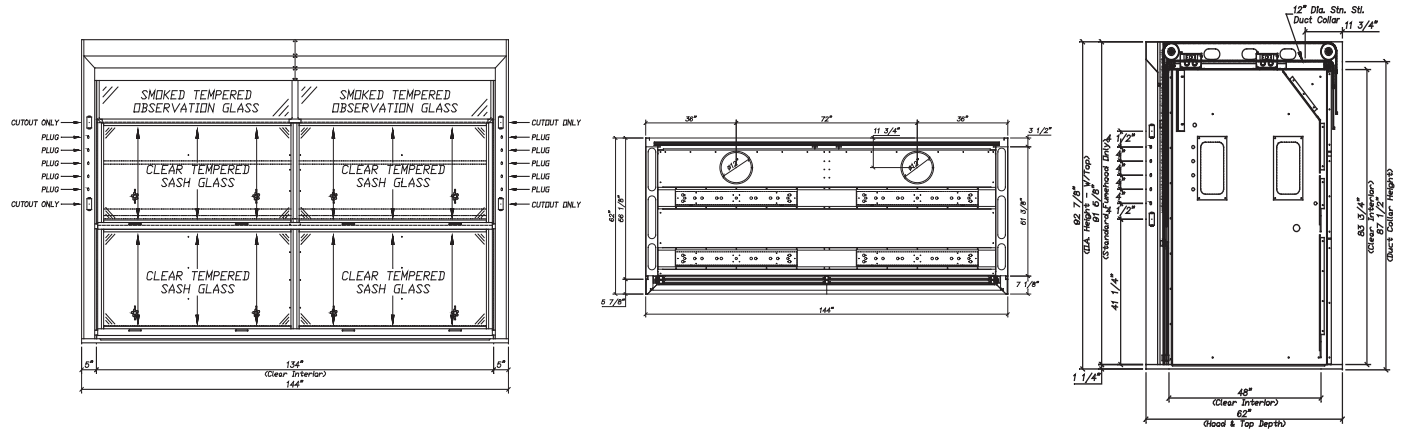


F-253-120 – 120" Walk-In Hood/Double Depth



F-200 Series – Isolator Walk-In Fume Hoods – Product Dimensions

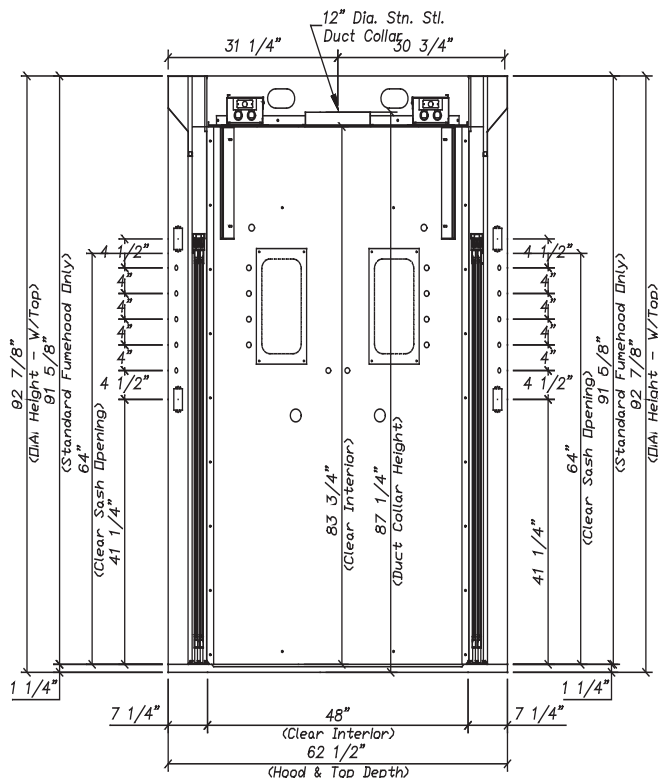
F-253-144 – 144" Walk-In Hood



F-292 Walk-In Hood/Double Sided/Double Depth – Horizontal Sash

This ISOLATOR double sided/depth walk-in fume hood is similar to the standard horizontal walk-in model but has sliding horizontal panels on the front and back of the hood for shared access. The top viewpass is furnished in smoked tempered glass. These units are normally used with tall setups where maximum clarity of vision is a priority and energy conservation is a concern. The ISOLATOR’s design and construction enhances its value by allowing:

- Unparalleled user safety
- Years of maintenance free service
- Unmatched ease of use
- Substantial energy savings via the sash configuration
- Unique design qualities for unlimited customization possibilities
- Field conversion between Constant Air Volume (CAV) and Variable Air Volume (VAV)
- Hoods available in “Knock Down” (KD) mode for transport and assembly in restricted areas



F-292 Walk-In Hood Features

- Unsurpassed containment (designed and tested to exceed ASHRAE 110-1995)
- Galvanized steel pan superstructure
- Transparent viewpass bypass system
- Stainless steel air foil
- Maximum sash opening is 50% of a vertical sash which results in energy savings based on reduced exhaust CFM
- Full view frameless sash with 64" upper and lower sash openings
- Quality engineering ensures years of reliable service

F-200 Series – Isolator Walk-In Fume Hoods – Ordering Information

F-292 Walk-In Hood/Double Sided/Double Depth Air Flow Data

Catalog Number	Duct Diameter	31 1/2" Vertical Open Upper Sash @ 100 FPM	18" Vertical Open Upper Sash @ 100 FPM
F-292-72	1 : 10"	NA	1624 CFM @ .76 "SP
F-292-96	1 : 12"	NA	2235 CFM @ .66 "SP
F-292-120	1 : 12"	NA	2907 CFM @ .61 "SP
F-292-144	2 : 10"	NA	3518 CFM @ .90 "SP

*Either front or rear doors open only

F-292 Walk-In Hood/Double Sided/Double Depth Product Numbers

F-292-72	Double Sided/Depth Walk-In 72"	Horizontal Sash
F-292-96	Double Sided/Depth Walk-In 96"	Horizontal Sash
F-292-120	Double Sided/Depth Walk-In 120"	Horizontal Sash
F-292-144	Double Sided/Depth Walk-In 144"	Horizontal Sash

F-292 Walk-In Hood/Double Sided/Double Depth Liner Options

White Polyglass is standard. Please see the Hood Liners section for available options.

F-292 Walk-In Hood/Double Sided/Double Depth Electrical Options

Fascia is pre-punched with two electrical cutouts (four cutouts total). Please see the Electrical Fixtures section for available options.

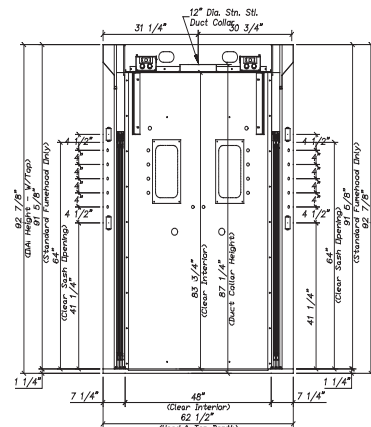
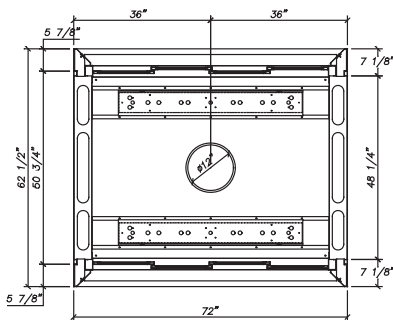
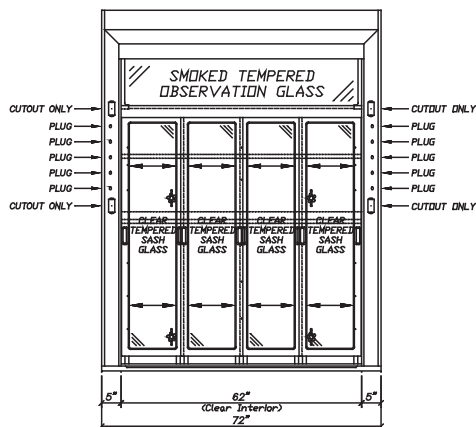
F-292 Walk-In Hood/Double Sided/Double Depth Plumbing Fixtures

Fascia is pre-punched with five 3/4" dia. holes to accept rod driven remote fixtures (ten holes total). Please see the Plumbing Fixtures section for available options.

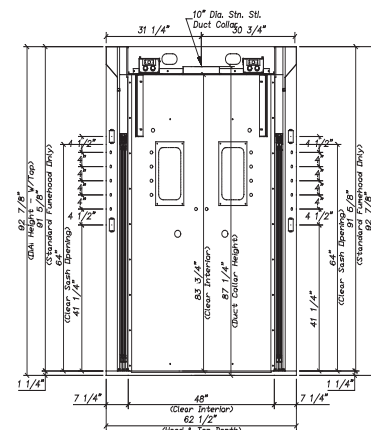
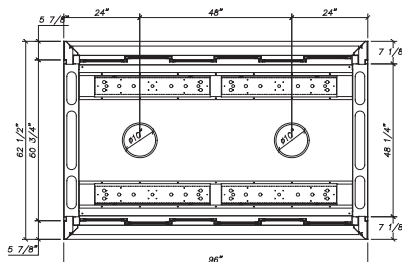
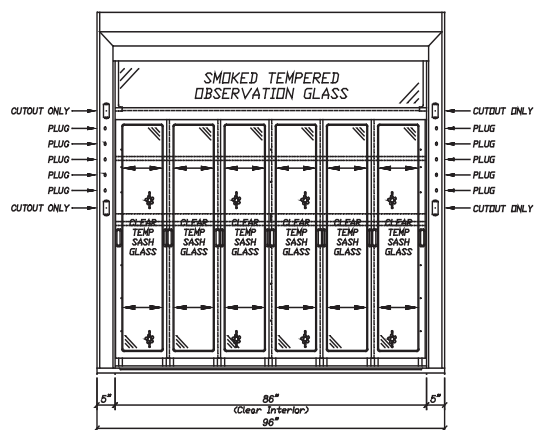
F-292 Walk-In Hood/Double Sided/Double Depth Fume Hood Accessories

Please see the Fume Hood Accessories section for available options.

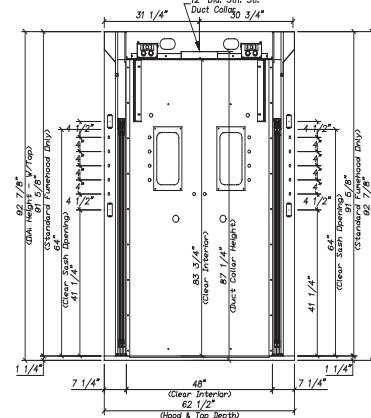
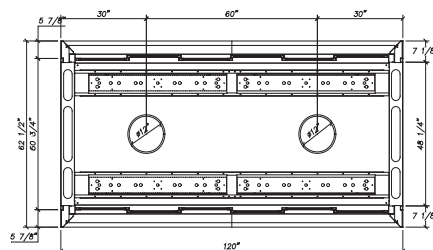
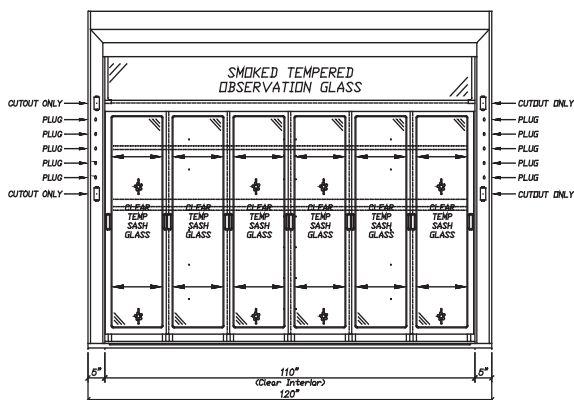
F-292 – 72" Walk-In Hood/Double Sided/Double Depth



F-292-96 – 96" Walk-In Hood/Double Sided/Double Depth

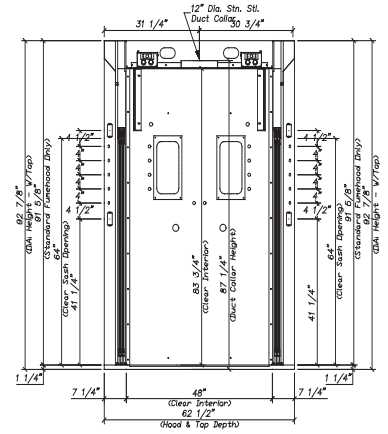
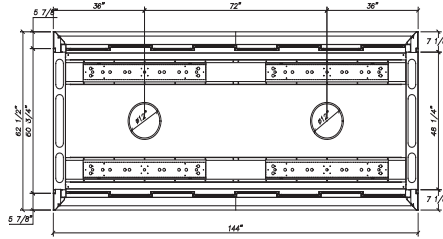
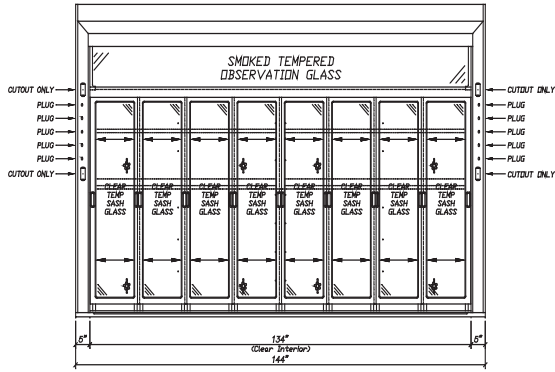


F-292-120 – 120" Walk-In Hood/Double Sided/Double Depth



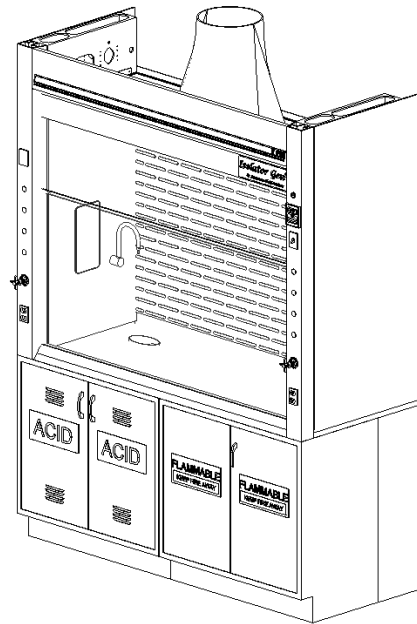
F-200 Series – Isolator Walk-In Fume Hoods – Product Dimensions

F-292-144 – 144" Walk-In Hood



F-350 Series – Isolator³ High Performance Bench Hood – Frameless Sash

The high performance fume hood is designed with energy conservation in mind, and is ideally suited for environments in which less volume of air is desired. The JMP fume hood has been independently tested and proven to perform at face velocities at between 60 and 63 fpm without auxiliary devices using a Modified ASHRAE 110-1995 as opposed to the traditional 100FPM. A fan-generated cross-draft of a constant 58 FPM, as measured behind the head of the mannequin is directed normal, to the face of the fume hood during the ASHRAE 110. This test places the hood under extreme conditions beyond normal ASHRAE 110-1995 testing protocol. As with all Jamestown Metal Product fume hoods, safety is our primary concern.

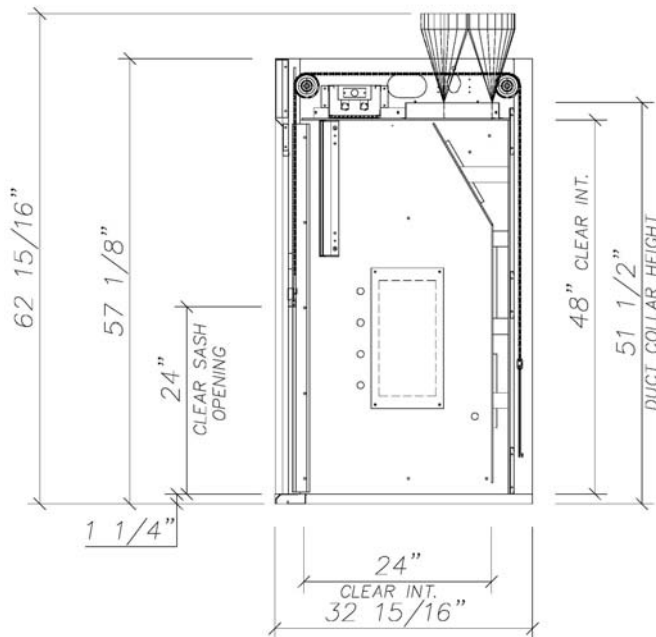


- Quality engineering ensures years of reliable service.
- Unsurpassed containment (designed and tested to exceed ASHRAE 110-1995)
- Bypass designed for CAV operation. A restricted bypass for VAV (Variable Air Volume) operation is optional
- Hoods available in “Knock Down” KD mode for transport and assembly in restricted areas

*ISOLATOR³ (Cubed)

F-350 High Performance Hood Standard Features

- Flush lower airfoil, epoxy painted to match
- Epoxy painted steel lower spill trough
- Flat front fascias
- Tempered safety glass
- Stainless steel transition to 12” diameter duct collar
- 24” clear sash opening for ease of setups
- Unique chain driven sash mechanism that comes with a lifetime warranty
- Robust epoxy painted steel pan superstructure
- Spring returns to 18,” optional
- Defeatable sash stops at 18,” standard



F-300 Series - Isolator³ Bench Fume Hoods - Ordering Information

F-350 High Performance Bench Hood Air Flow Data

Catalog Number	Duct Size	24" Vertical Open @ 60 FPM	18" Vertical Open @ 80 FPM
F-350-48G5	1 : 12"	380 CFM @ .21 "SP	380 CFM @ .12 "SP
F-350-60G5	1 : 12"	500 CFM @ .20 "SP	500 CFM @ .11 "SP
F-350-72G5	1 : 12"	620 CFM @ .31 "SP	620 CFM @ .17 "SP
F-350-96G5	2 : 12"	860 CFM @ .27 "SP	860 CFM @ .15 "SP

F-350 High Performance Bench Hood Product Numbers

F-350-48G5	ISOLATOR ³ Bench 48"	Frameless Sash
F-350-60G5	ISOLATOR ³ Bench 60"	Frameless Sash
F-350-72G5	ISOLATOR ³ Bench 72"	Frameless Sash
F-350-96G5	ISOLATOR ³ Bench 96"	Frameless Sash

F-350 High Performance Bench Hood Liner Options

White Polyglass is standard. Please see the Hood Liners section for available options.

F-350 High Performance Bench Hood Electrical Options

Fascia is pre-punched with two electrical cutouts (four cutouts total). Please see the Electrical Fixtures section for available options.

F-350 High Performance Bench Hood Plumbing Fixtures

Fascia is pre-punched with five 3/4" dia. holes to accept rod driven remote fixtures (ten holes total). Please see the Plumbing Fixtures section for available options.

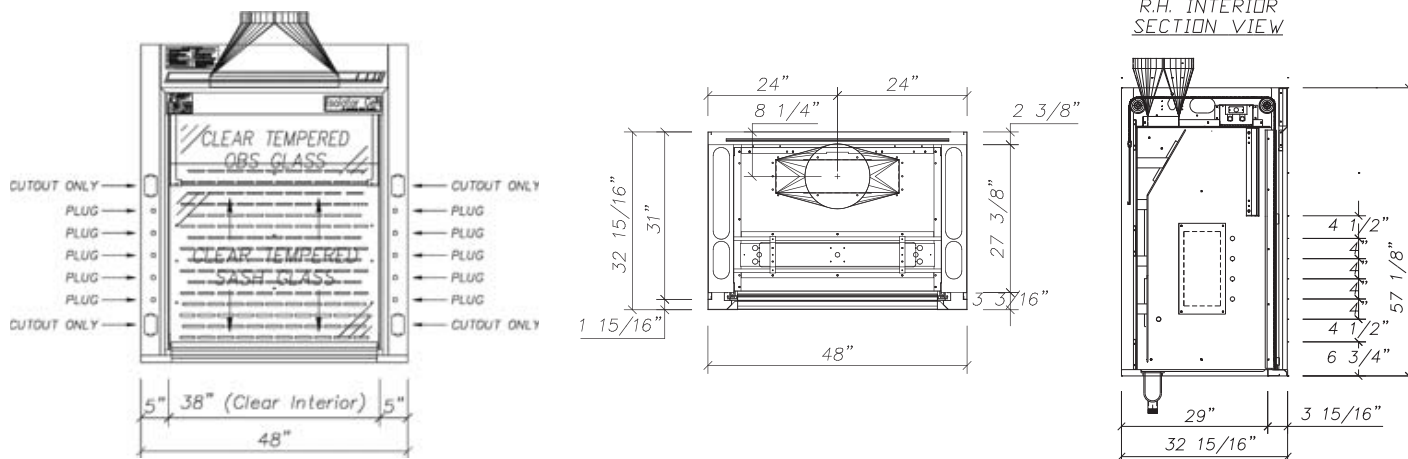
F-350 High Performance Bench Hood Fume Hood Accessories

Please see the Fume Hood Accessories section for available options.

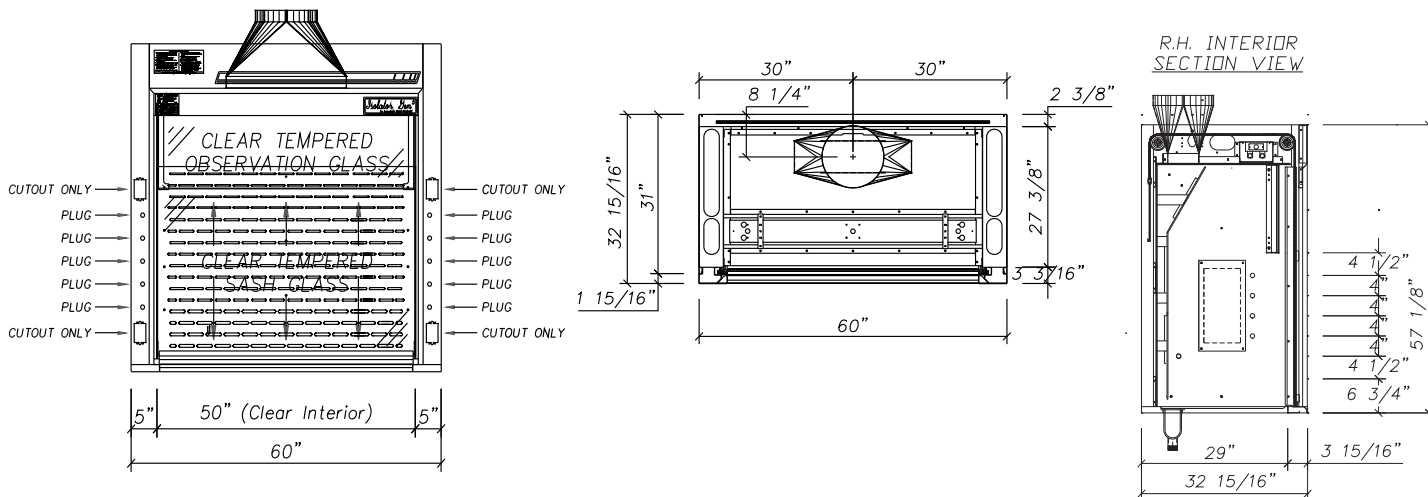
F-300 Series - Isolator³ Bench Fume Hoods - Product Dimensions

F-300 Series - Isolator³ Bench Fume Hoods - Product Dimensions

F-350-48G5 - 48" Isolator³ Bench Fume Hood - Frameless Sash

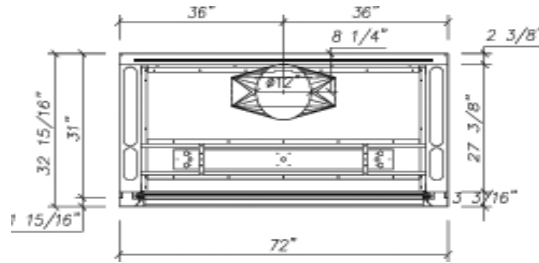
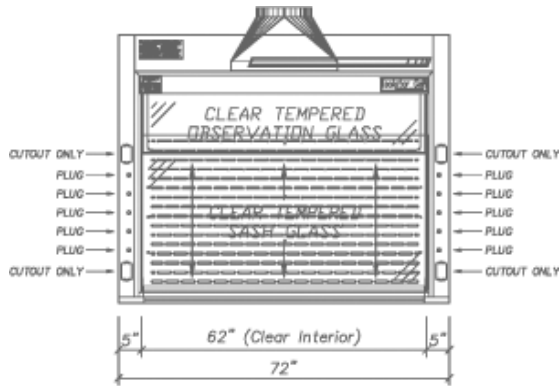


F-350-60G5 - 60" Isolator³ Bench Fume Hood - Frameless Sash

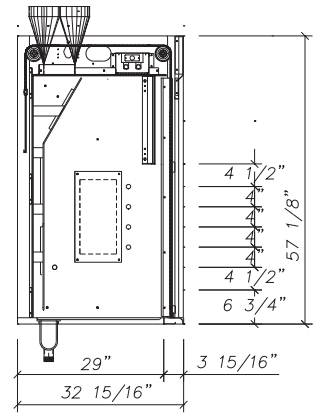


F-300 Series - Isolator³ Bench Fume Hoods - Product Dimensions

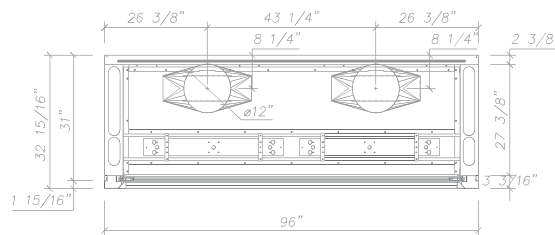
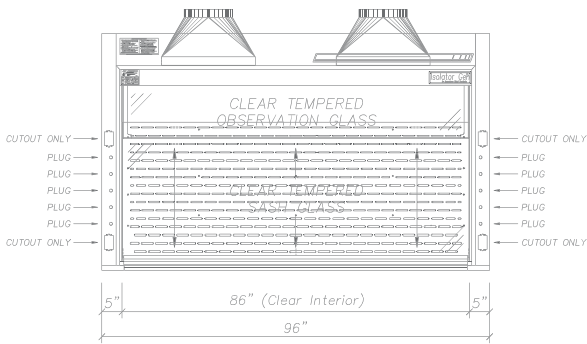
F-350-72G5 - 72" Isolator³ Bench Fume Hood - Frameless Sash



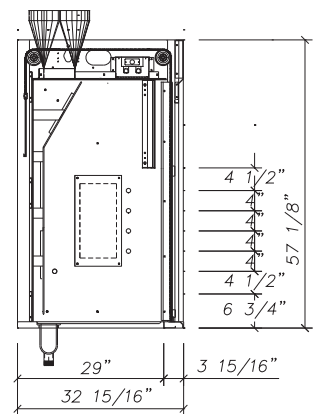
R.H. INTERIOR SECTION VIEW



F-350-96G5 - 96" Isolator³ Bench Fume Hood - Frameless Sash



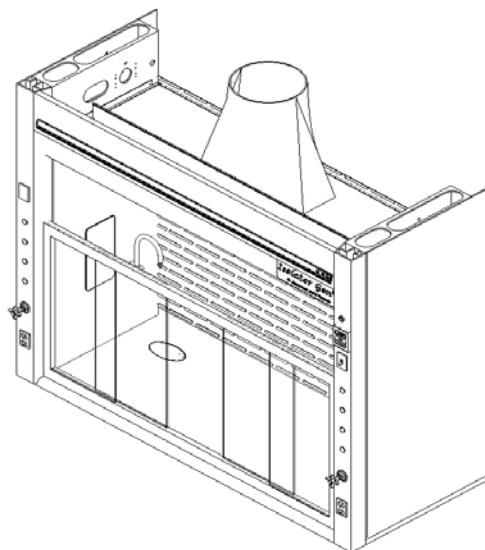
R.H. INTERIOR SECTION VIEW



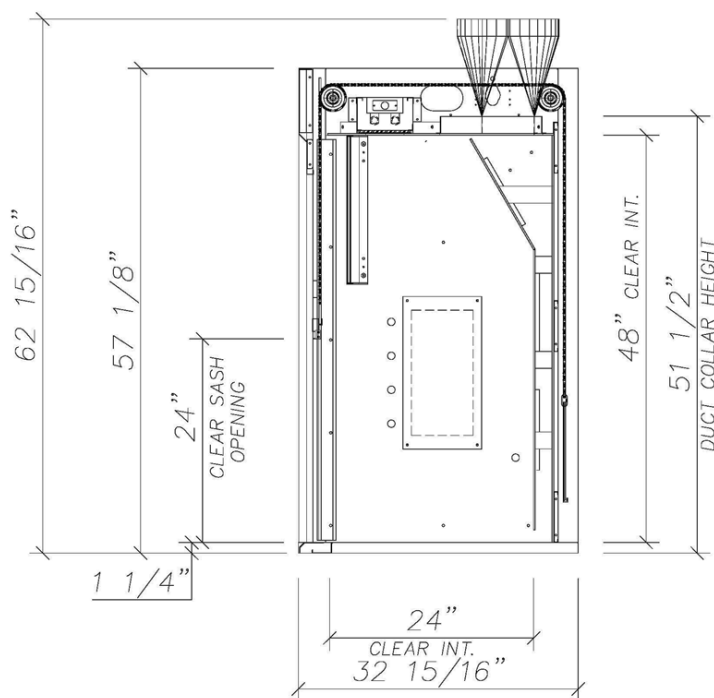
F-351 Series – Isolator³* High Performance Bench Hood – Combination Sash

The ISOLATOR³ High Performance Fume Hood is designed with energy conservation in mind and is ideally suited for environments in which less volume of air is desired. The JMP ISOLATOR³ fume hood has been independently tested using a modified ASHRAE 100-1995 test protocol, and proven to perform at face velocities of between 60 and 63 fpm, without auxiliary devices, as opposed to the traditional 100 FPM. A fan-generated cross-draft of a constant 58 FPM, as measured behind the head of the mannequin, is directed parallel to the face of the fume hood during the test. This places the hood under extreme conditions beyond normal ASHRAE 110-1995 testing protocol. As with all Jamestown Metal Product fume hoods, safety is our primary concern.

- Quality engineering ensures years of reliable service
- Unsurpassed containment (designed and tested to exceed ASHRAE 110-1995)
- Bypass designed for CAV operation. A restricted bypass for VAV (Variable Air Volume) operation is optional
- Hoods available in “Knock Down” KD mode for transport and assembly in restricted areas



*ISOLATOR3 (Cubed)



F-351 High Performance Hood Standard Features

- Flush lower airfoil, epoxy painted to match
- Epoxy painted steel lower spill trough
- Flat front fascias
- Tempered safety glass
- Stainless steel transition to 12" diameter duct collar
- 24" clear sash opening for ease of setups
- Unique chain driven sash mechanism that comes with a lifetime warranty
- Robust epoxy painted steel pan superstructure
- Spring returns to 18," optional
- Defeatable sash stops at 18," standard

F-300 Series - Isolator³ Bench Fume Hoods - Ordering Information

F-351 High Performance Bench Hood Air Flow Data

Catalog Number	Duct Size	24" Vertical Open @ 60 FPM	18" Vertical Open @ 80 FPM
F-351-48G5	1 : 12"	380 CFM @ .21 "SP	380 CFM @ .12 "SP
F-351-60G5	1 : 12"	500 CFM @ .20 "SP	500 CFM @ .11 "SP
F-351-72G5	1 : 12"	620 CFM @ .31 "SP	620 CFM @ .17 "SP
F-351-96G5	2 : 12"	860 CFM @ .27 "SP	860 CFM @ .15 "SP

F-351 High Performance Bench Hood Product Numbers

F-351-48G5	ISOLATOR ³ Bench 48"	Combination Sash
F-351-60G5	ISOLATOR ³ Bench 60"	Combination Sash
F-351-72G5	ISOLATOR ³ Bench 72"	Combination Sash
F-351-96G5	ISOLATOR ³ Bench 96	Combination Sash

F-351 High Performance Bench Hood Liner Options

White Polyglass is standard. Please see the Hood Liners section for available options.

F-351 High Performance Bench Hood Electrical Options

Fascia is pre-punched with two electrical cutouts (four cutouts total). Please see the Electrical Fixtures section for available options.

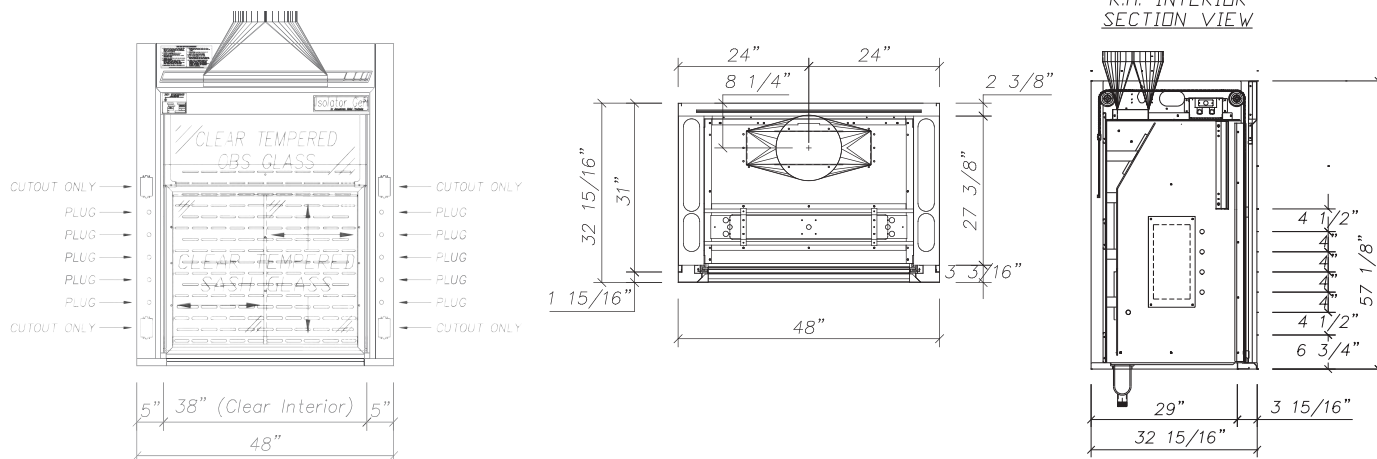
F-351 High Performance Bench Hood Plumbing Fixtures

Fascia is pre-punched with five 3/4" dia. holes to accept rod driven remote fixtures (ten holes total). Please see the Plumbing Fixtures section for available options.

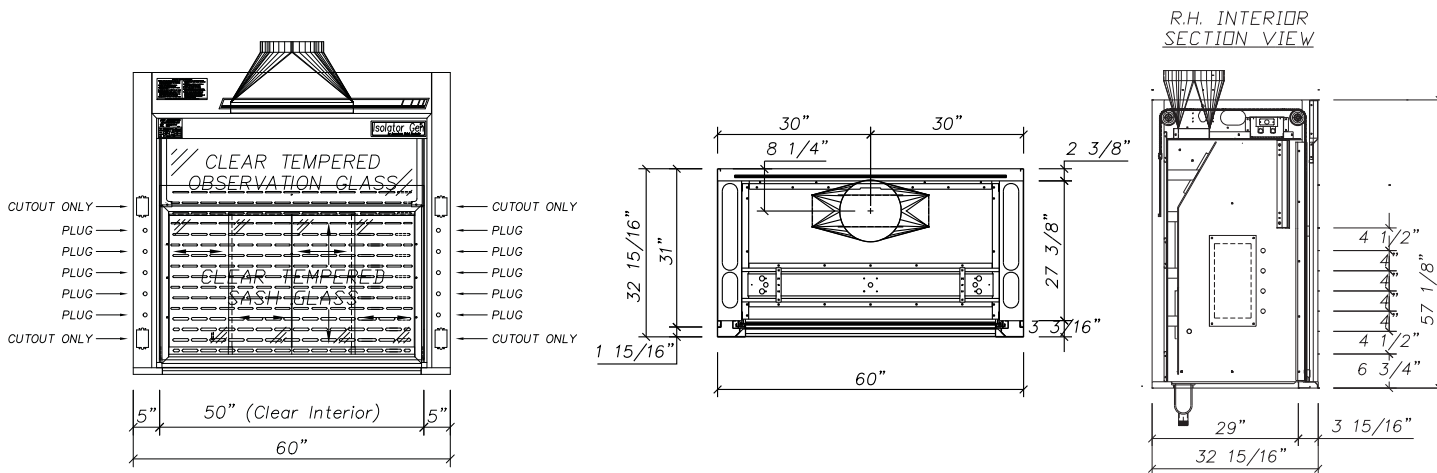
F-351 High Performance Bench Hood Fume Hood Accessories

Please see the Fume Hood Accessories section for available options.

F-351-48G5 - 48" Isolator³ Bench Fume Hood - Combination Sash

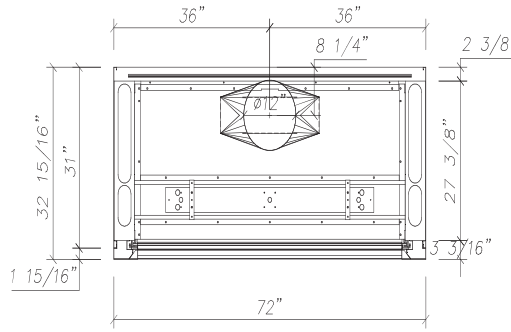
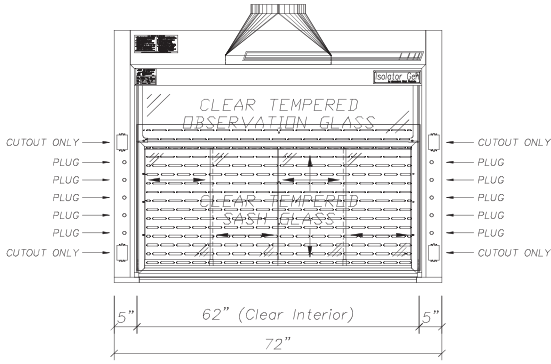


F-351-48G5 - 60" Isolator³ Bench Fume Hood - Combination Sash

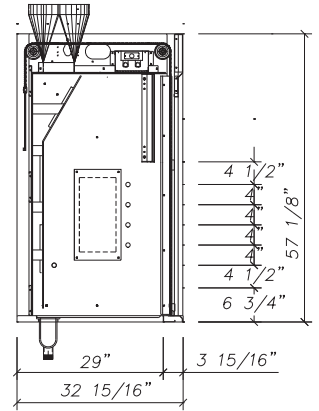


F-300 Series - Isolator³ Bench Fume Hoods - Product Dimensions

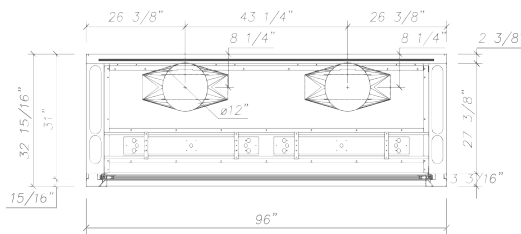
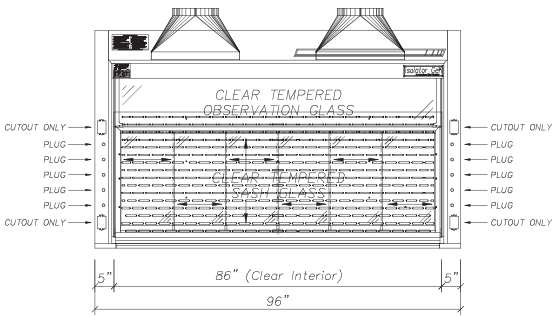
F-351-72G5- 72" Isolator³ Bench Fume Hood



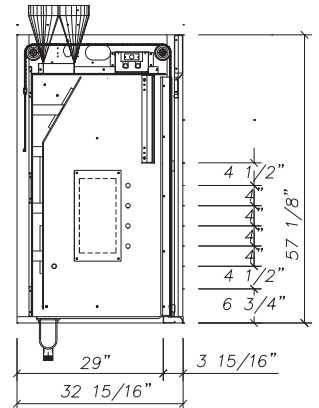
R.H. INTERIOR SECTION VIEW



F-351-96G5 - 96" Isolator³ Bench Fume Hood - Combination Sash

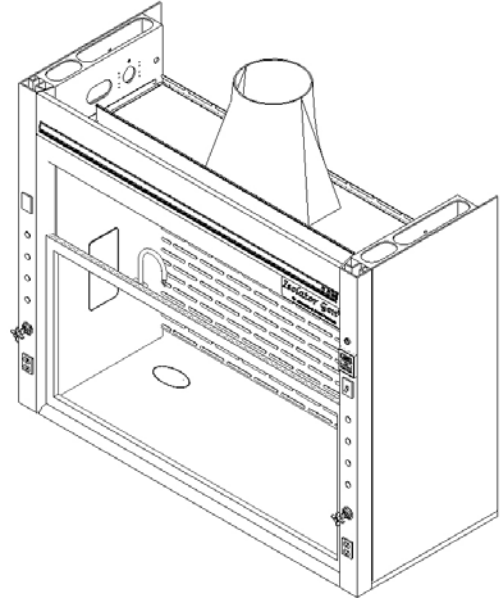


R.H. INTERIOR SECTION VIEW



F-353 Series – Isolator³ High Performance Bench Hood – Frameless Sash

The ISOLATOR³ High Performance Fume Hood is designed with energy conservation in mind and is ideally suited for environments in which less volume of air is desired. The JMP ISOLATOR³ fume hood has been independently tested using a modified ASHRAE 100-1995 test protocol, and proven to perform at face velocities of between 60 and 63 fpm, without auxiliary devices, as opposed to the traditional 100 FPM. A fan-generated cross-draft of a constant 58 FPM, as measured behind the head of the mannequin, is directed parallel to the face of the fume hood during the test. This places the hood under extreme conditions beyond normal ASHRAE 110-1995 testing protocol. As with all Jamestown Metal Product fume hoods, safety is our primary concern.

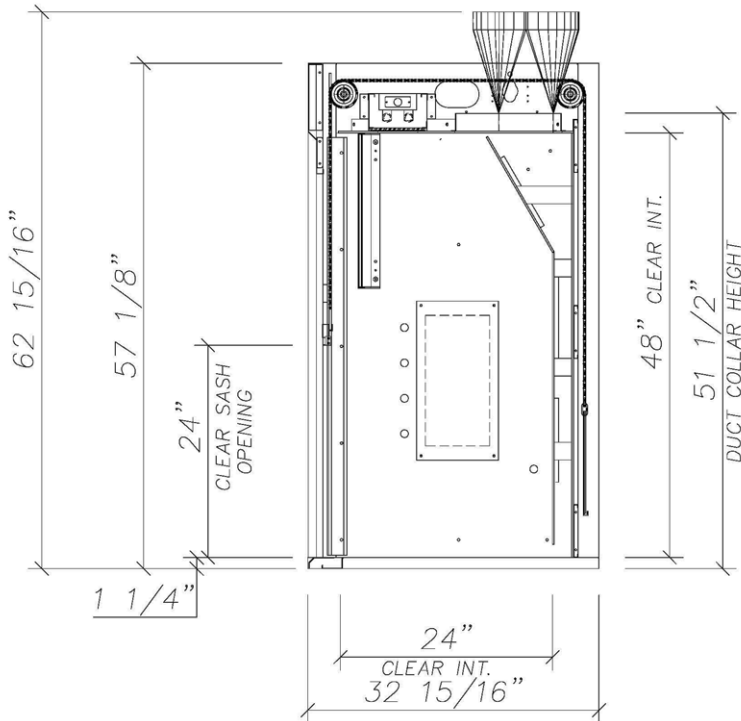


- Quality engineering ensures years of reliable service.
- Unsurpassed containment (designed and tested to exceed ASHRAE 110-1995)
- Bypass designed for CAV operation. A restricted bypass for VAV (Variable Air Volume) operation is optional
- Hoods available in “Knock Down” KD mode for transport and assembly in restricted areas

*ISOLATOR3 (Cubed)

F-353 High Performance Hood Standard Features

- Flush lower airfoil, epoxy painted to match
- Epoxy painted steel lower spill trough
- Flat front fascias
- Tempered safety glass
- Stainless steel transition to 12” diameter duct collar
- 24” clear sash opening for ease of setups
- Unique chain driven sash mechanism that comes with a lifetime warranty
- Robust epoxy painted steel pan superstructure
- Spring returns to 18,” optional.
- Defeatable sash stops at 18,” standard



F-300 Series - Isolator³ Bench Fume Hoods - Ordering Information

F-353 High Performance Bench Hood Air Flow Data

Catalog Number	Duct Size	24" Vertical Open @ 60 FPM	18" Vertical Open @ 80 FPM
F-353-48G5	1 : 12"	380 CFM @ .21 "SP	380 CFM @ .12 "SP
F-353-60G5	1 : 12"	500 CFM @ .20 "SP	500 CFM @ .11 "SP
F-353-72G5	1 : 12"	620 CFM @ .31 "SP	620 CFM @ .17 "SP
F-353-96G5	2 : 12"	860 CFM @ .27 "SP	860 CFM @ .15 "SP

F-353 High Performance Bench Hood Product Numbers

F-353-48G5	ISOLATOR ³ Bench 48"	Framed Sash
F-353-60G5	ISOLATOR ³ Bench 60"	Framed Sash
F-353-72G5	ISOLATOR ³ Bench 72"	Framed Sash
F-353-96G5	ISOLATOR ³ Bench 96"	Framed Sash

F-353 High Performance Bench Hood Liner Options

White Polyglass is standard. Please see the Hood Liners section for available options.

F-353 High Performance Bench Hood Electrical Options

Fascia is pre-punched with two electrical cutouts (four cutouts total). Please see the Electrical Fixtures section for available options.

F-353 High Performance Bench Hood Plumbing Fixtures

Fascia is pre-punched with five 3/4" dia. holes to accept rod driven remote fixtures (ten holes total). Please see the Plumbing Fixtures section for available options.

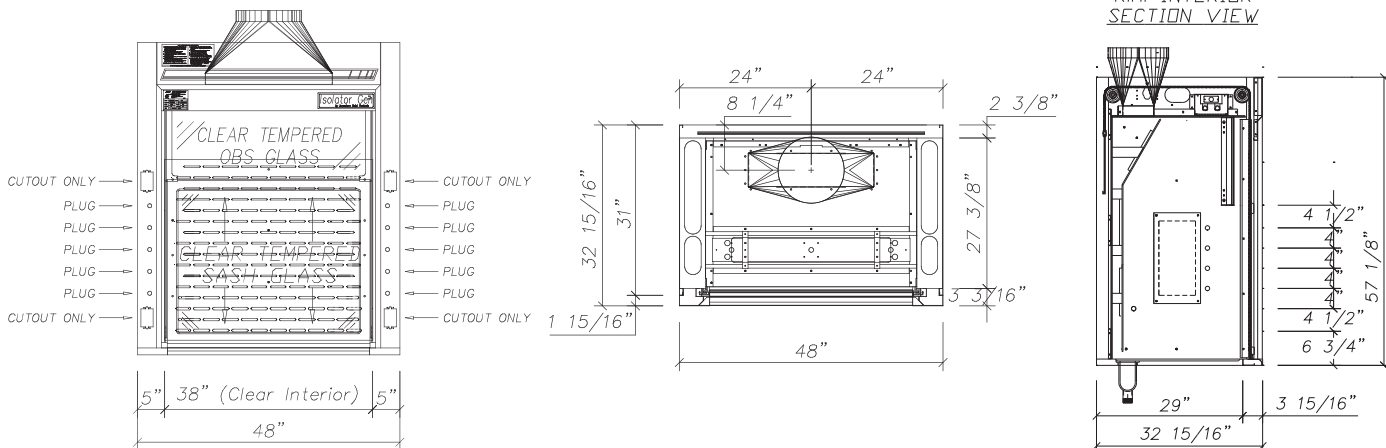
F-353 High Performance Bench Hood Fume Hood Accessories

Please see the Fume Hood Accessories section for available options.

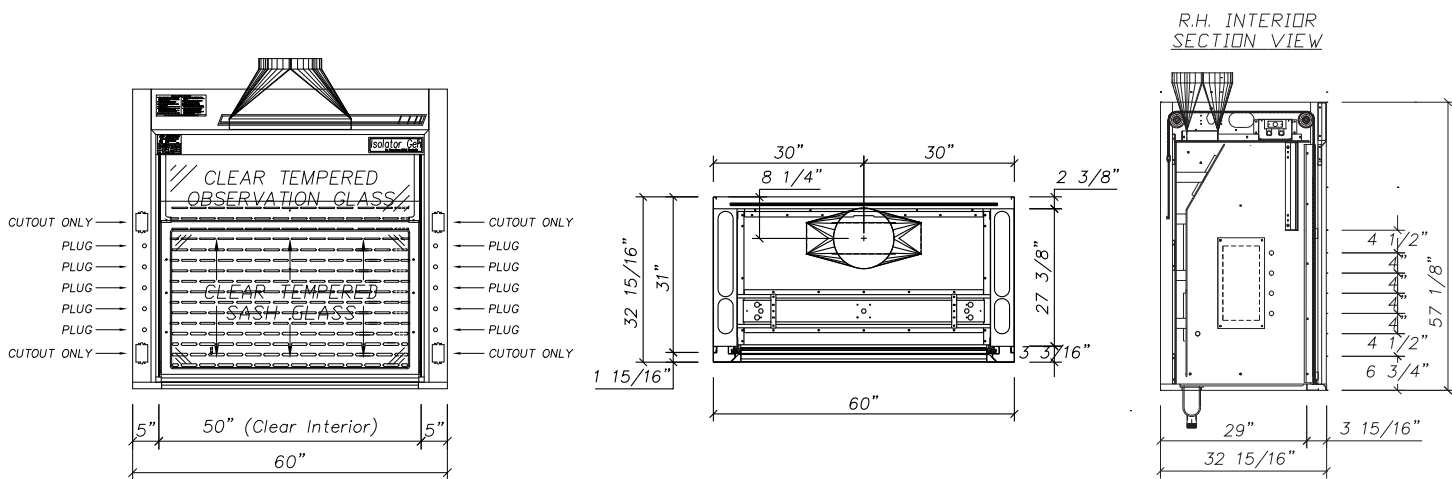
F-300 Series - Isolator³ Bench Fume Hoods - Product Dimensions:

F-300 Series - Isolator³ Bench Fume Hoods - Product Dimensions

F-353-48G5 - 48" Isolator³ Bench Fume Hood - Framed Sash

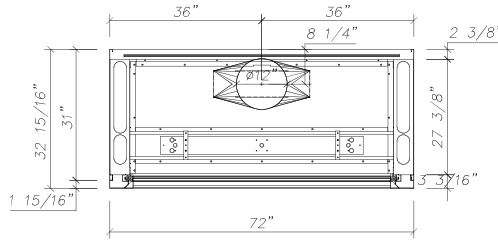
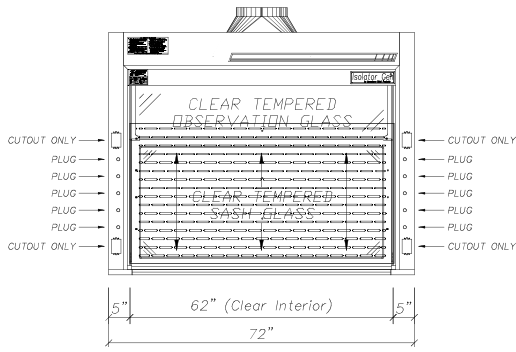


F-353-60G5 - 60" Isolator³ Bench Fume Hood - Framed Sash

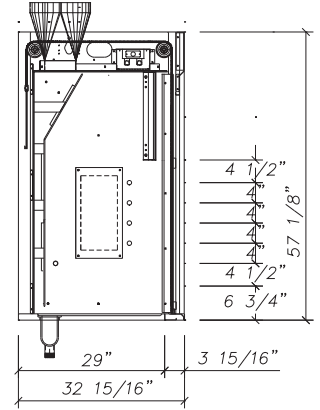


F-300 Series - Isolator³ Bench Fume Hoods - Product Dimensions

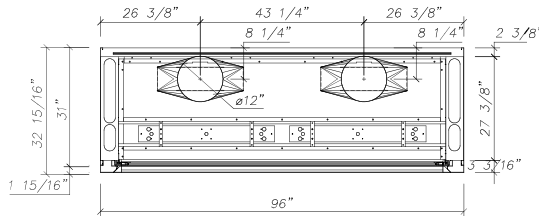
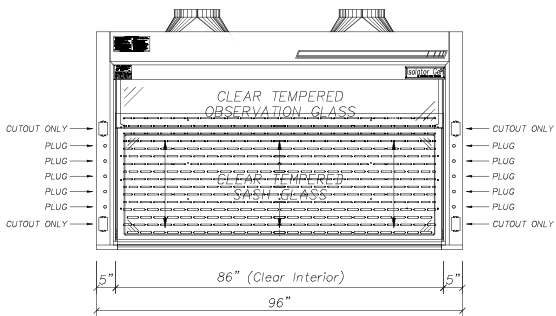
F-353-72G5 - 72" Isolator³ Bench Fume Hood - Framed Sash



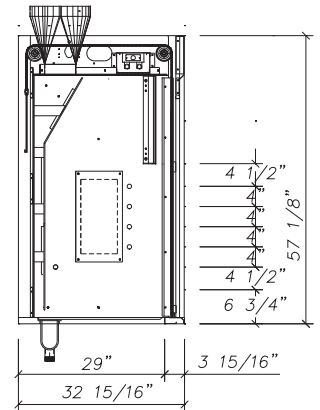
R.H. INTERIOR SECTION VIEW



F-353-96G5 - 96" Isolator³ Bench Fume - Framed Sash Hood



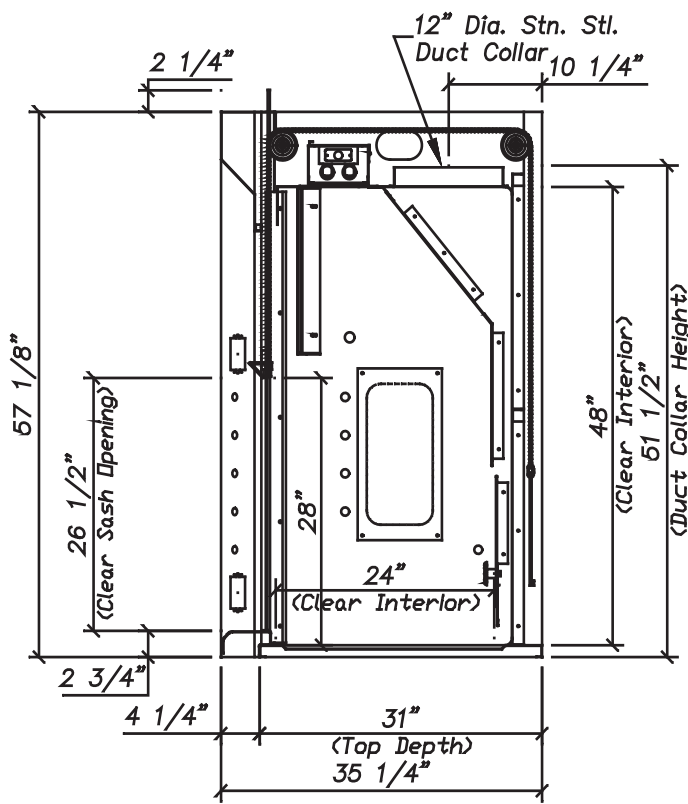
R.H. INTERIOR SECTION VIEW



F-400 Isotope Bench Hood – Frameless Vertical Sash

The ISOLATOR Isotope fume hood with a frameless vertical sash, designed for use with radioisotope or biological work, features a type 304 or 316 stainless steel liner and baffles with coving on all containment chamber corners to facilitate cleaning. The integral work surface is reinforced to carry up to 200 lbs./sq. ft. of lead shielding or other overburden. The ISOLATOR's design and construction enhances its value by providing:

- Unparalleled user safety
- Full hood access for easy set ups
- Years of maintenance free service
- Unmatched ease of use
- Unique design qualities for unlimited customization possibilities
- Field conversion between Constant Air Volume (CAV) and Variable Air Volume (VAV)



F-400 Isotope Bench Hood Features

- Unsurpassed containment (designed and tested to exceed ASHRAE 110-1995)
- Unique chain driven sash mechanism that comes with a lifetime warranty
- Galvanized steel pan superstructure
- Transparent viewpass bypass system
- Stainless steel air foil
- Aerodynamically designed airplane wing style sash handle enhances the perimeter containment
- Integral type stainless steel worktop and cupsink
- Vertical sashes provide the greatest hood interior access
- Full view frameless sash with 26 1/2" opening
- Quality engineering ensures years of reliable service

F-400 Series – Radioisotope Bench Hoods – Ordering Information

F-400 Isotope Bench Hood Air Flow Data

Catalog Number	Duct Diameter	28" Open @ 100 FPM	18" Open @ 100 FPM
F-400-36	1 : 10"	506 CFM @ .14 "SP	325 CFM @ .06 "SP
F-400-48	1 : 10"	739 CFM @ .29 "SP	475 CFM @ .12 "SP
F-400-60	1 : 12"	972 CFM @ .27 "SP	625 CFM @ .11 "SP
F-400-72	1 : 12"	1206 CFM @ .42 "SP	775 CFM @ .17 "SP
F-400-96	2 : 10"	1672 CFM @ .37 SP	1075 CFM @ .15 "SP

F-400 Isotope Bench Hood Product Numbers

F-400-36	Isotope 36"	Frameless Sash	(304 Coved)
F-400-48	Isotope 48"	Frameless Sash	(304 Coved)
F-400-60	Isotope 60"	Frameless Sash	(304 Coved)
F-400-72	Isotope 72"	Frameless Sash	(304 Coved)
F-400-96	Isotope 96"	Frameless Sash	(304 Coved)

F-400 Isotope Bench Hood Liner Options

Type 304 stainless steel liner and integral workshop is standard. Please see the Hood Liners section for available options.

F-400 Isotope Bench Hood Electrical Options

Fascia is pre-punched with two electrical cutouts (four cutouts total). Please see the Electrical Fixtures section for available options.

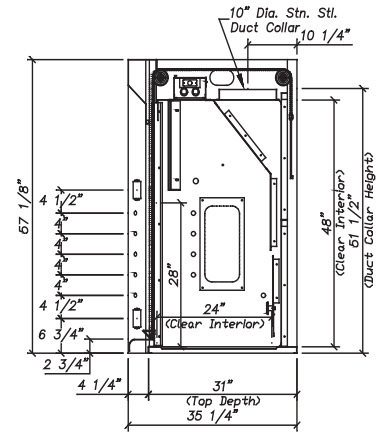
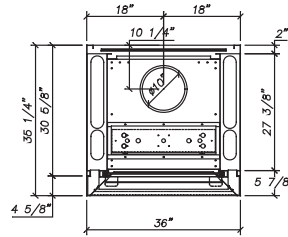
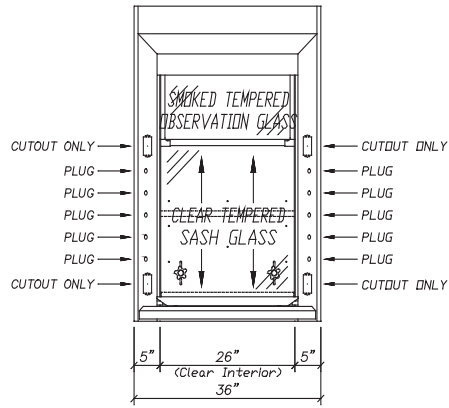
F-400 Isotope Bench Hood Plumbing Fixtures

Fascia is pre-punched with five 3/4" dia. holes to accept rod driven remote fixtures (ten holes total). Please see the Plumbing Fixtures section for available options.

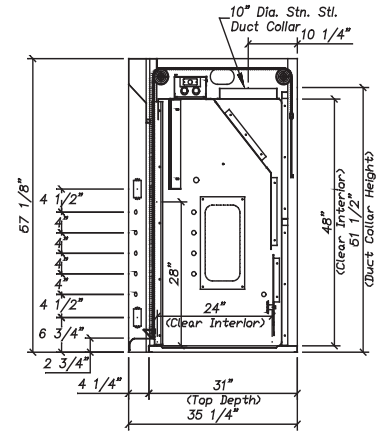
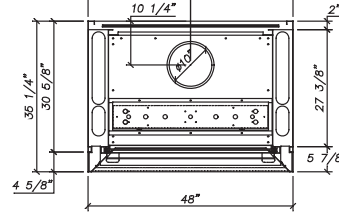
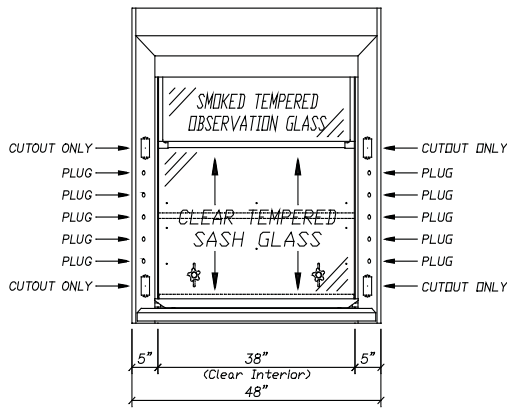
F-400 Isotope Bench Hood Fume Hood Accessories

Please see the Fume Hood Accessories section for available options.

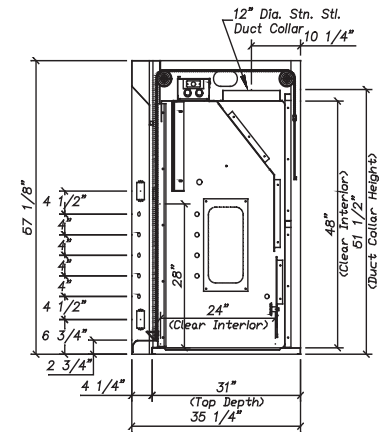
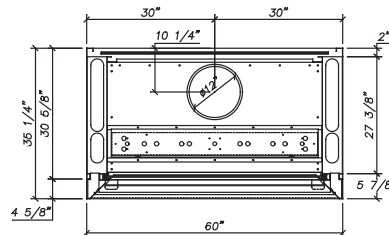
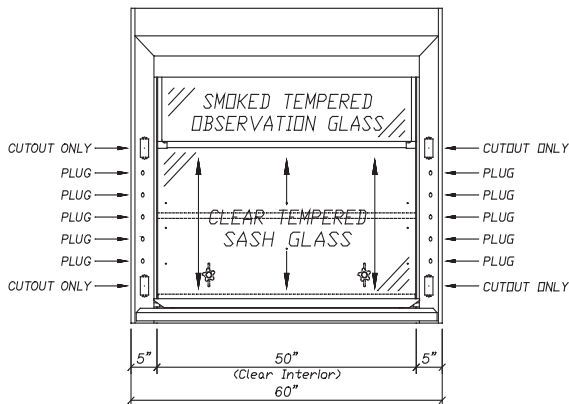
F-400-36 – 36" Isotope Bench Hood



F-400-48 – 48" Isotope Bench Hood

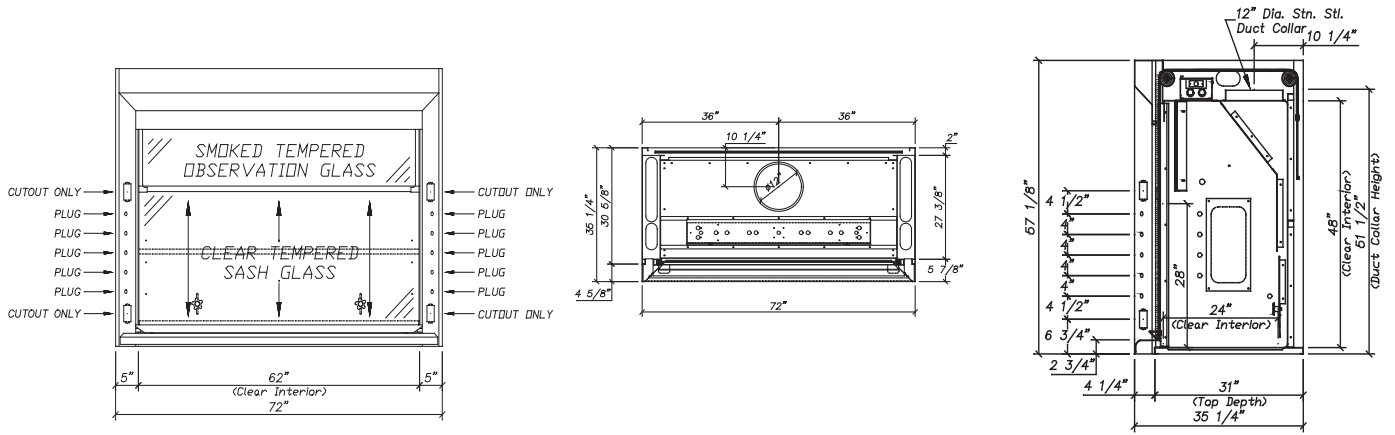


F-400-60 – 60" Isotope Bench Hood

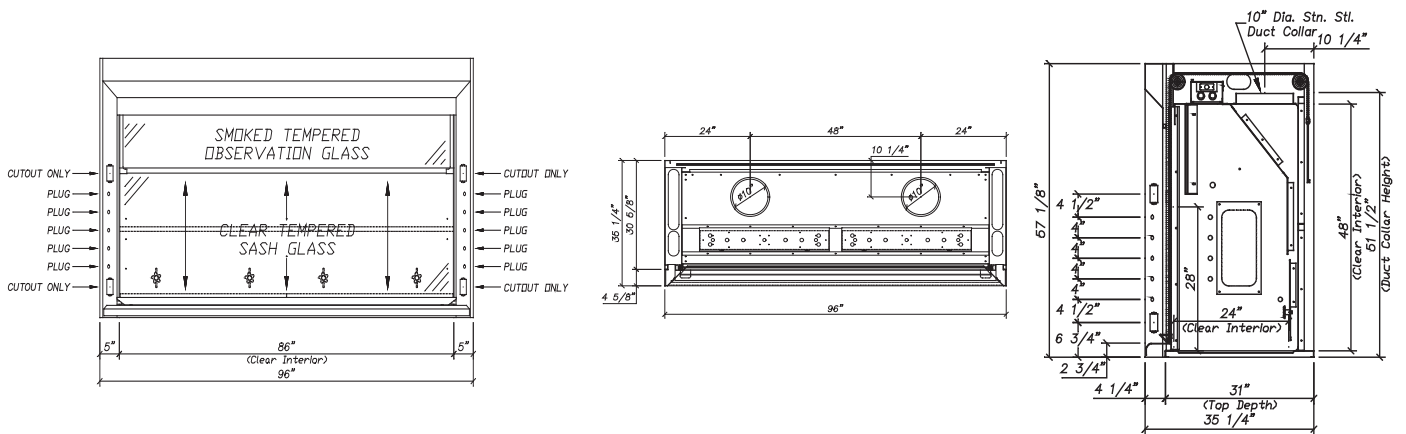


F-400 Series – Radioisotope Bench Hoods – Product Dimensions

F-400-72 – 72" Isotope Bench Hood



F-400-96 – 96" Isotope Bench Hood

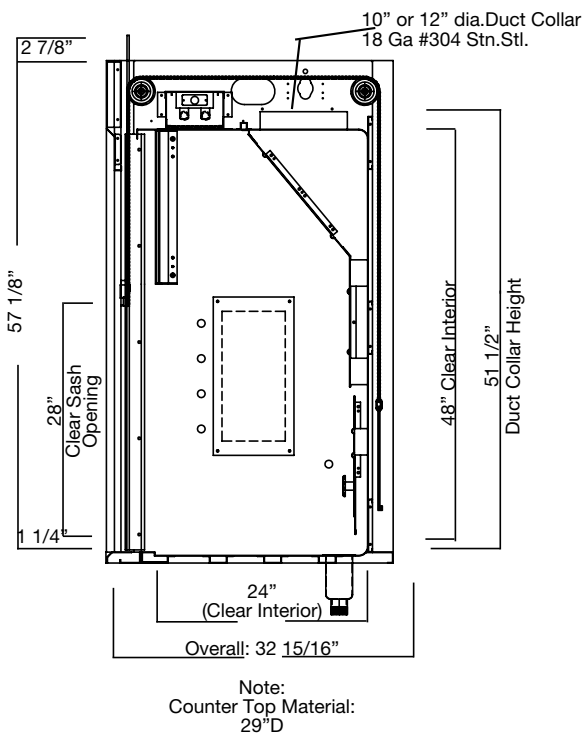
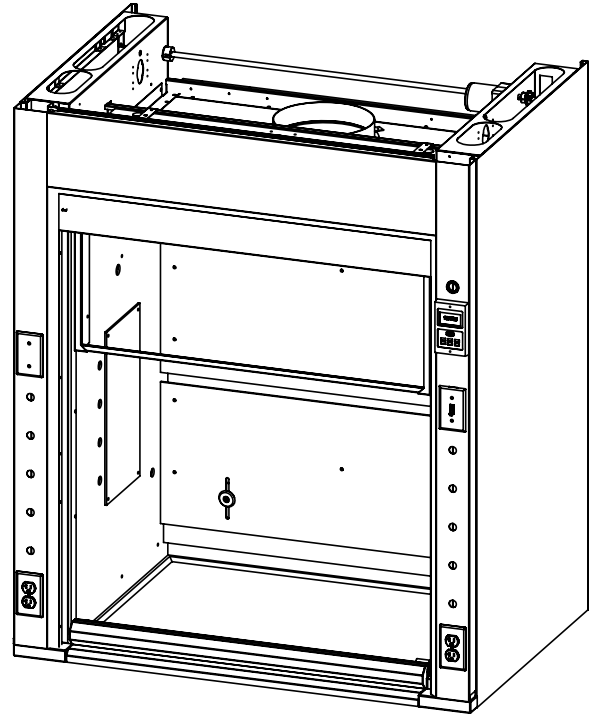


F-400 ISOLATOR GEN-5 Isotope Bench Hood – Frameless Vertical Sash

The ISOLATOR GENERATION-5 isotope fume hood with a frameless vertical sash, designed for use with radioisotope or biological work, features a type 304 or 316 stainless steel liner and baffles with coving on all containment chamber corners to facilitate cleaning. The integral work surface is reinforced to carry up to 200 lbs./sq. ft. of lead shielding or other overburden. The ISOLATOR GEN-5 design and construction enhances its value

by providing:

- Unparalleled user safety
- Full hood access for easy set ups
- Years of maintenance free service
- Unmatched ease of use
- Unique design qualities for unlimited customization possibilities
- Field conversion between Constant Air Volume (CAV) and Variable Air Volume (VAV)



F-400 ISOLATOR GEN-5 Isotope Bench Hood Features

- Unsurpassed containment (designed and tested to exceed ASHRAE 110-1995)
- Hood is UL1805/CUL certified listed
- Unique chain driven sash mechanism that comes with a lifetime warranty
- Painted steel pan superstructure
- 16.25"H. clear observation glass panel, bypass system
- Stainless steel containment trough
- Integral type stainless steel work top; optional cup sink must be specified
- Vertical sashes provide the greatest hood interior access
- Full view frameless sash with 28" opening
- Quality engineering ensures years of reliable service
- The sash handle and the flush sill are 304 stainless steel

F-400 Series – Radioisotope Bench Hoods – Ordering Information

F-400 ISOLATOR GEN-5 Isotope Bench Hood – Ordering Information

F-400 ISOLATOR GEN-5 Isotope Bench Hood Air Flow Data

Catalog Number	Duct Diameter	28" Open @ 100 FPM	18" Open @ 100 FPM
F-400-36G5	1 : 10"	506 CFM @ .14 "SP	325 CFM @ .06 "SP
F-400-48G5	1 : 10"	739 CFM @ .29 "SP	475 CFM @ .12 "SP
F-400-60G5	1 : 12"	972 CFM @ .27 "SP	625 CFM @ .11 "SP
F-400-72G5	1 : 12"	1206 CFM @ .42 "SP	775 CFM @ .17 "SP
F-400-96G5	2 : 10"	1672 CFM @ .37 "SP	1075 CFM @ .15 "SP

F-400 ISOLATOR GEN-5 Isotope Bench Hood Product Numbers

F-400-36G5	Isotope 36"	Frameless Sash	(304 Coved)
F-400-48G5	Isotope 48"	Frameless Sash	(304 Coved)
F-400-60G5	Isotope 60"	Frameless Sash	(304 Coved)
F-400-72G5	Isotope 72"	Frameless Sash	(304 Coved)
F-400-96G5	Isotope 96"	Frameless Sash	(304 Coved)

F-400 GEN-5 Isotope Bench Hood Liner Options

Type 304 stainless steel liner and integral workshop is standard. Please see the Hood Liners section for available options.

F-400 GEN-5 Isotope Bench Hood Electrical Options

Fascia is pre-punched with two electrical cutouts (four cutouts total). Please see the Electrical Fixtures section for available options.

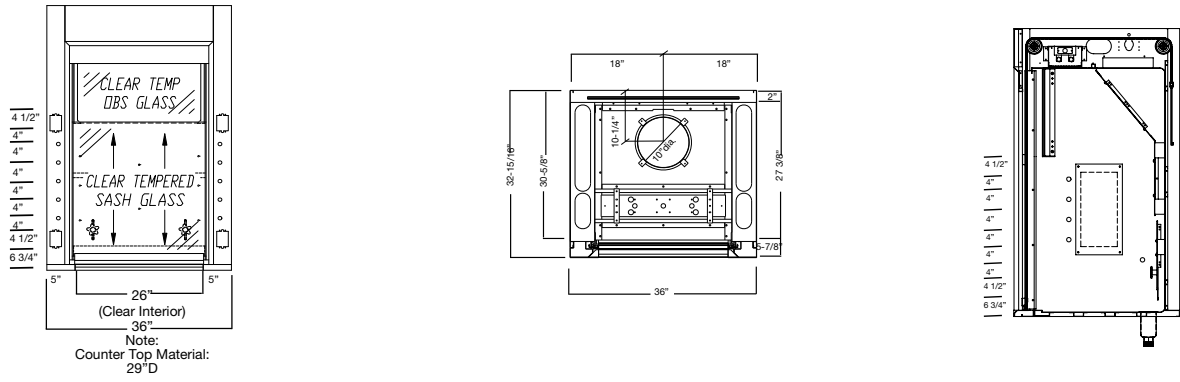
F-400 GEN-5 Isotope Bench Hood Plumbing Fixtures

Fascia is pre-punched with five 3/4" dia. holes to accept rod driven remote fixtures (ten holes total). Please see the Plumbing Fixtures section for available options.

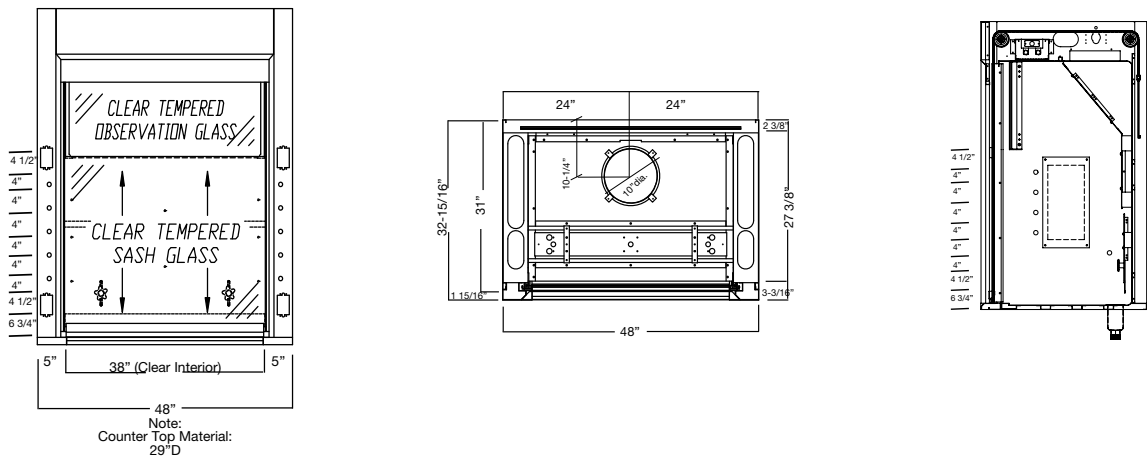
F-400 GEN-5 Isotope Bench Hood Fume Hood Accessories

Please see the Fume Hood Accessories section for available options.

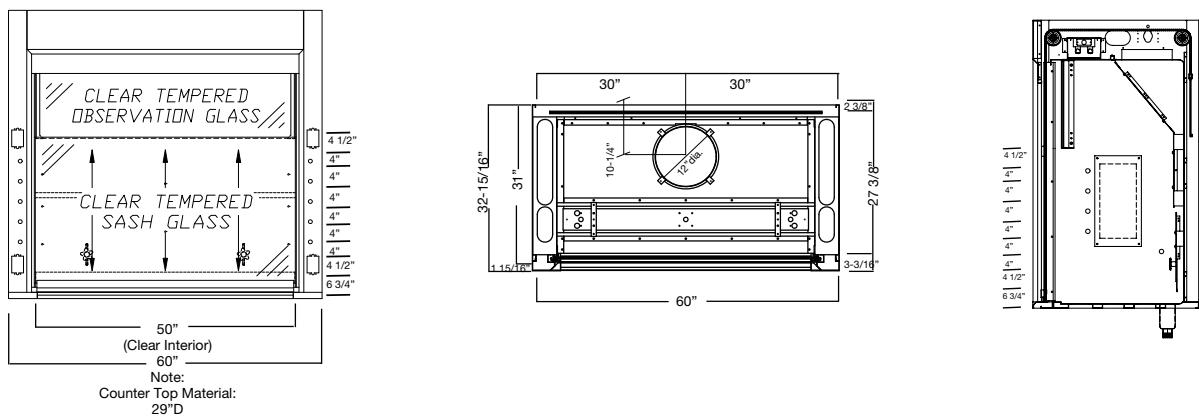
F-400-36G5 - 36" Isotope BENCH FUME HOOD



F-400-48G5 - 48" Isotope BENCH FUME HOOD

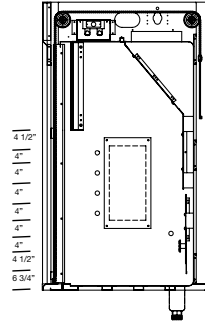
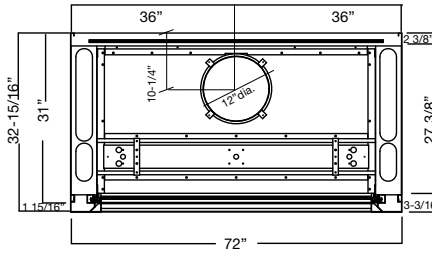
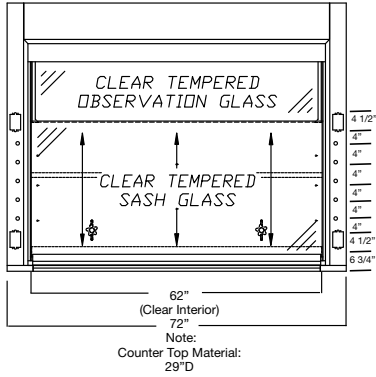


F-400-60G5 - 60" Isotope BENCH FUME HOOD

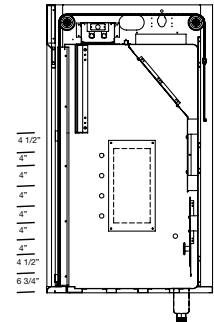
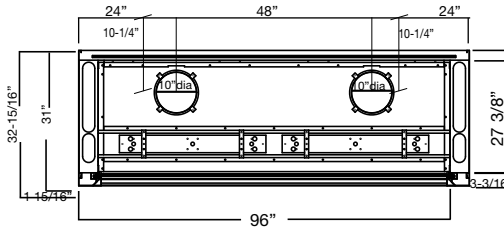
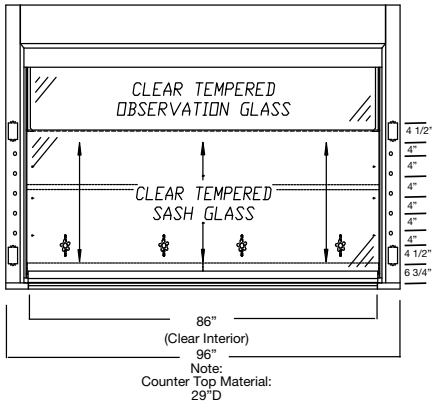


F-400 Series – Radioisotope Bench Hoods – Product Dimensions

F-400-72G5 - 72" Isotope BENCH FUME HOOD



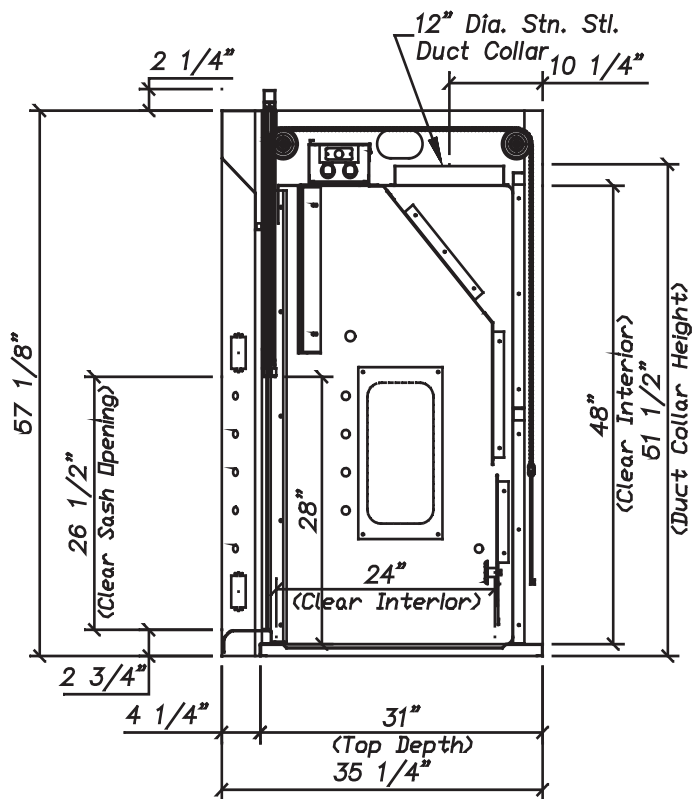
F-400-96G5 - 96" Isotope BENCH FUME HOOD



F-401 Isotope Bench Hood – Combination Sash

The ISOLATOR Isotope fume hood with a combination sash, designed for use with radioisotope or biological work, features a type 304 or 316 stainless steel liner and baffles with coving on all containment chamber corners to facilitate cleaning. The integral work surface is reinforced to carry up to 200 lbs./sq. ft. of lead shielding or other overburden. The ISOLATOR's design and construction enhances its value by providing:

- Unparalleled user safety
- Years of maintenance free service
- Unmatched ease of use
- Unique design qualities for unlimited customization possibilities
- Field conversion between Constant Air Volume (CAV) and Variable Air Volume (VAV)



F-401 Isotope Bench Hood Features

- Unsurpassed containment (designed and tested to exceed ASHRAE 110-1995)
- Unique chain driven sash mechanism that comes with a lifetime warranty
- Galvanized steel pan superstructure
- Transparent viewpass bypass system
- Stainless steel air foil
- Offers the best features of both the vertical and horizontal sashes thus allowing flexible interior access while minimizing the sash opening for energy savings
- Integral type stainless steel worktop and cupsink
- Vertical sashes provide the greatest hood interior access
- Full view stainless steel combination sash with 26 1/2" opening
- Quality engineering ensures years of reliable service

F-400 Series – Radioisotope Bench Hoods – Ordering Information

F-401 Isotope Bench Hood Air Flow Data

Catalog Number	Duct Diameter	28" Vertical Open @ 100 FPM	18" Vertical Open @ 100 FPM	%50 Horizontal Open @ 100 FPM
F-401-48	1 : 10"	739 CFM @ .29 "SP	475 CFM @ .12 "SP	415 CFM @ .09 "SP
F-401-60	1 : 12"	972 CFM @ .27 "SP	625 CFM @ .11 "SP	549 CFM @ .09 "SP
F-401-72	1 : 12"	1206 CFM @ .42 "SP	775 CFM @ .17 "SP	692 CFM @ .14 "SP
F-401-96	2 : 10"	1672 CFM @ .37 "SP	1075CFM @ .15 "SP	968 CFM @ .12 "SP

*50% Open may be achieved two ways:

1. Vertical sash open 14"; horizontal panels closed
2. Vertical sash closed; horizontal panels full open

F-401 Isotope Bench Hood Product Numbers

F-401-48	Isotope 48"	Combination	(304 Coved)
F-401-60	Isotope 60"	Combination	(304 Coved)
F-401-72	Isotope 72"	Combination	(304 Coved)
F-401-96	Isotope 96"	Combination	(304 Coved)

F-401 Isotope Bench Hood Liner Options

Type 304 stainless steel liner and integral workshop is standard. Please see the Hood Liners section for available options.

F-401 Isotope Bench Hood Electrical Options

Fascia is pre-punched with two electrical cutouts (four cutouts total). Please see the Electrical Fixtures section for available options.

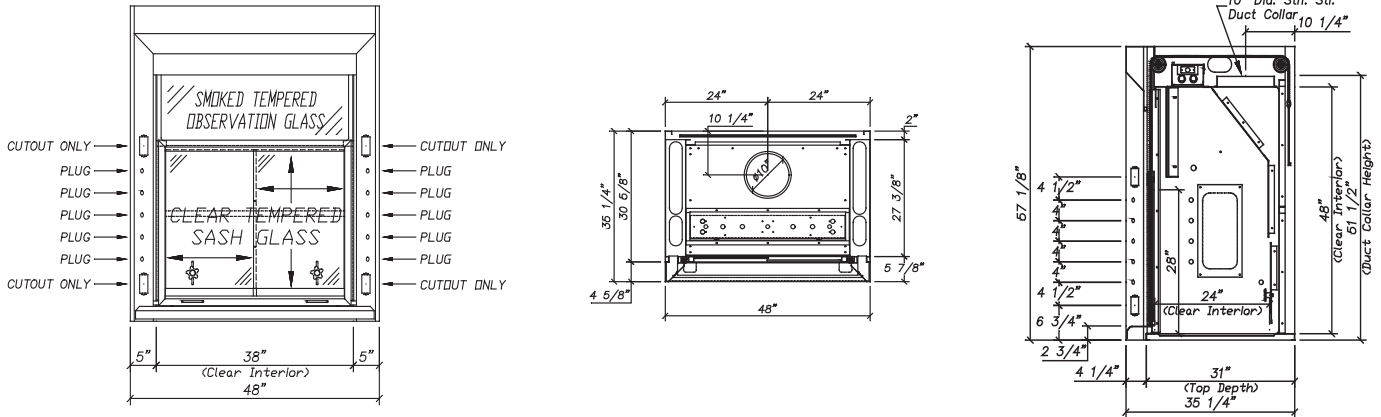
F-401 Isotope Bench Hood Plumbing Fixtures

Fascia is pre-punched with five 3/4" dia. holes to accept rod driven remote fixtures (ten holes total). Please see the Plumbing Fixtures section for available options.

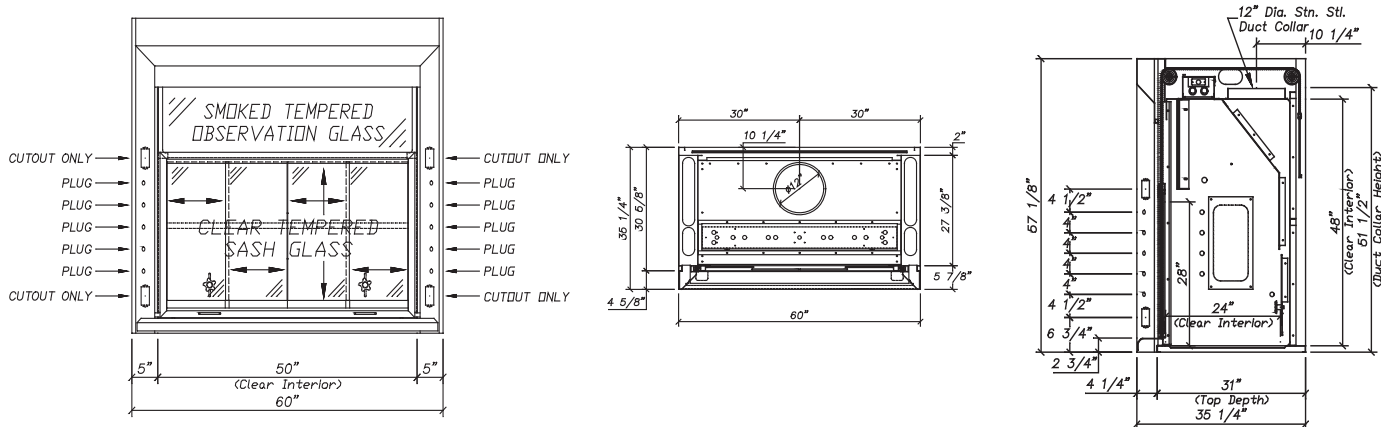
F-401 Isotope Bench Hood Fume Hood Accessories

Please see the Fume Hood Accessories section for available options.

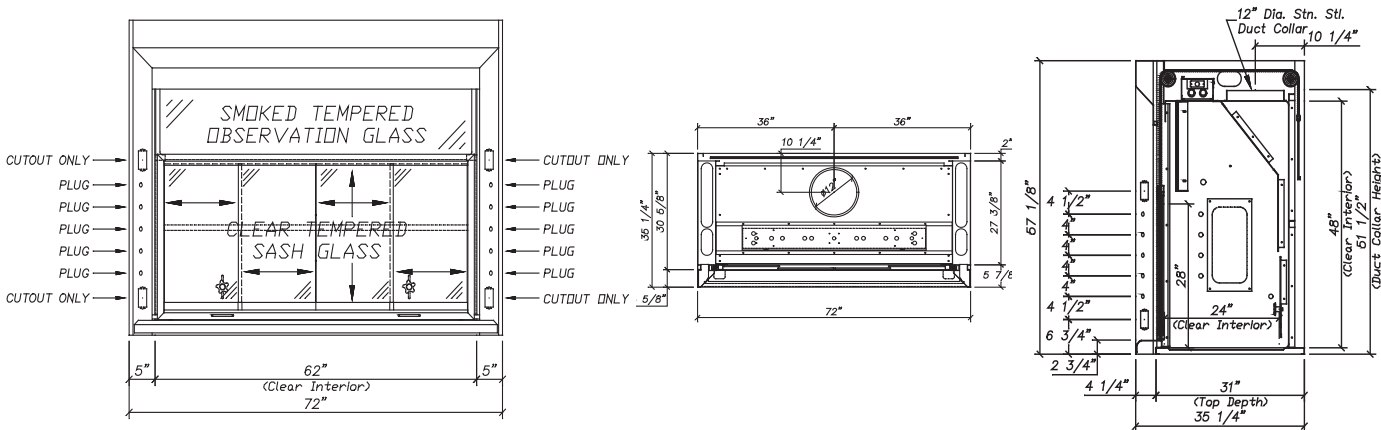
F-401-48 – 48" Isotope Bench Hood



F-401-60 – 60" Isotope Bench Hood

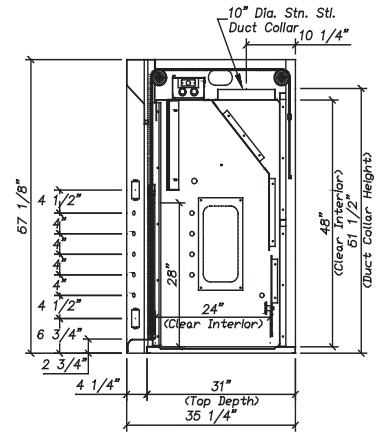
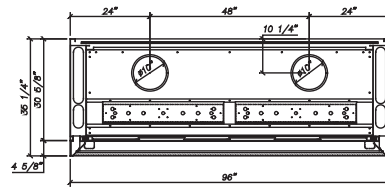
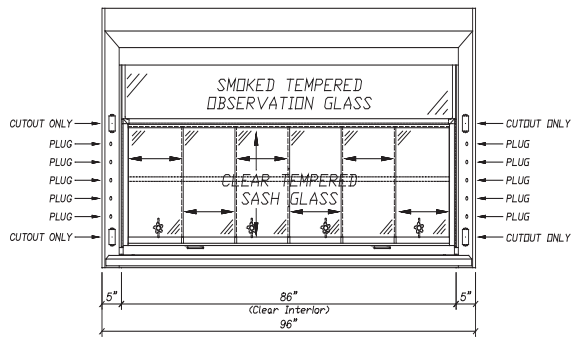


F-401-72 – 72" Isotope Bench Hood



F-400 Series – Radioisotope Bench Hoods – Product Dimensions

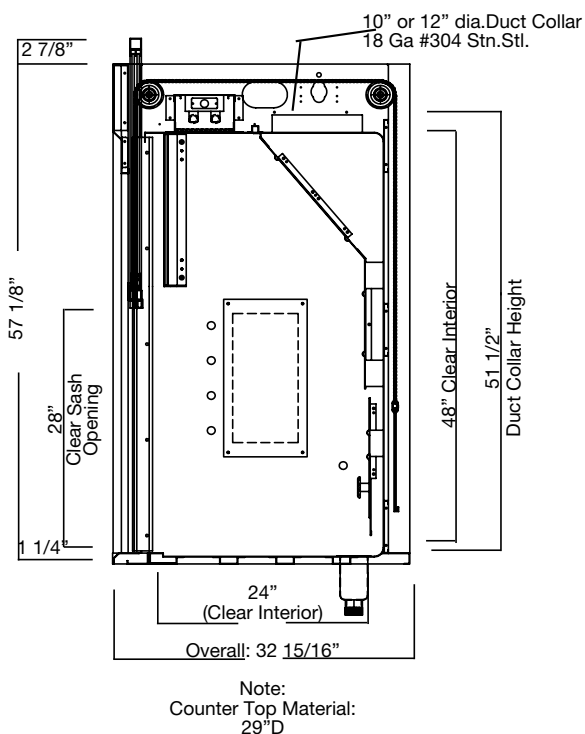
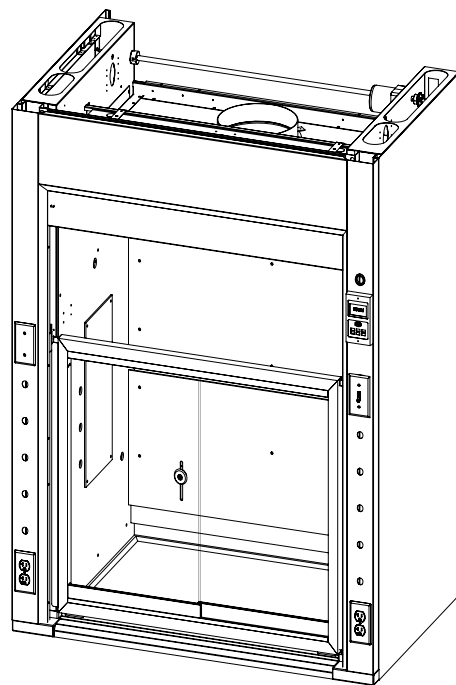
F-401-96 – 96" Isotope Bench Hood



F-401 ISOLATOR GEN-5 Isotope Bench Hood – Combination Sash

The ISOLATOR GENERATION-5 Isotope fume hood with a combination sash, a combination sash, designed for use with radioisotope or biological work, features a type 304 or 316 stainless steel liner and baffles with coving on all containment chamber corners to facilitate cleaning. The integral work surface is reinforced to carry up to 200 lbs./sq. ft. of lead shielding or other overburden. The ISOLATOR GEN-5 design and construction enhances its value by providing:

- Unparalleled user safety
- Years of maintenance free service
- Unmatched ease of use
- Unique design qualities for unlimited customization possibilities
- Field conversion between Constant Air Volume (CAV) and Variable Air Volume (VAV)



F-401 ISOLATOR GEN-5 Isotope Bench Hood Features

- Unsurpassed containment (designed and tested to exceed ASHRAE 110-1995)
- The hood is UL1805/CUL certified listed
- Unique chain driven sash mechanism that comes with a lifetime warranty
- Painted steel pan superstructure
- 16.25"H. clear observation glass panel, bypass system
- Stainless steel containment trough
- Offers the best features of both the vertical and horizontal sashes thus allowing flexible interior access while minimizing the sash opening for energy savings
- Integral type stainless steel work top; optional cup sink must be specified
- Vertical sashes provide the greatest hood interior access
- Full view stainless steel combination sash with 28" opening
- Quality engineering ensures years of reliable service

F-400 Series – Radioisotope Bench Hoods – Ordering Information

F-401 ISOLATOR GEN-5 Isotope Bench Hood

F-401 GEN-5 Isotope Bench Hood Air Flow Data

Catalog Number	Duct Diameter	28" Vertical Open @ 100 FPM	18" Vertical Open @ 100 FPM	%50 Horizontal Open @ 100 FPM
F-401-48G5	1 : 10"	739 CFM @ .29 "SP	475 CFM @ .12 "SP	415 CFM @ .09 "SP
F-401-60G5	1 : 12"	972 CFM @ .27 "SP	625 CFM @ .11 "SP	549 CFM @ .09 "SP
F-401-72G5	1 : 12"	1206 CFM @ .42 "SP	775 CFM @ .17 "SP	692 CFM @ .14 "SP
F-401-96G5	2 : 10"	1672 CFM @ .37 "SP	1075CFM @ .15 "SP	968 CFM @ .12 "SP

*50% Open may be achieved two ways:

1. Vertical sash open 14"; horizontal panels closed.
2. Vertical sash closed; horizontal panels full open.

F-401 GEN-5 Isotope Bench Hood Product Numbers

F-401-48G5	Isotope 48"	Combination	(304 Coved)
F-401-60G5	Isotope 60"	Combination	(304 Coved)
F-401-72G5	Isotope 72"	Combination	(304 Coved)
F-401-96G5	Isotope 96"	Combination	(304 Coved)

F-401 GEN-5 Isotope Bench Hood Liner Options

Type 304 stainless steel liner and integral workshop is standard. Please see the Hood Liners section for available options.

F-401 GEN-5 Isotope Bench Hood Electrical Options

Fascia is pre-punched with two electrical cutouts (four cutouts total). Please see the Electrical Fixtures section for available options.

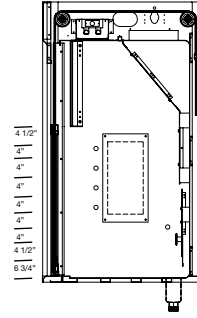
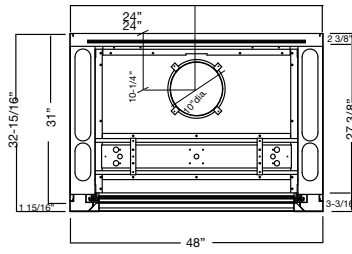
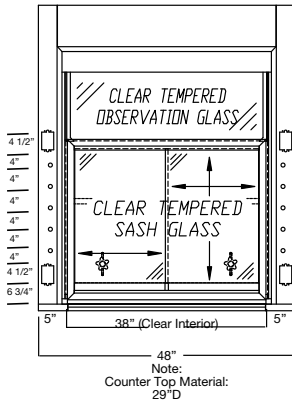
F-401 GEN-5 Isotope Bench Hood Plumbing Fixtures

Fascia is pre-punched with five 3/4" dia. holes to accept rod driven remote fixtures (ten holes total). Please see the Plumbing Fixtures section for available options.

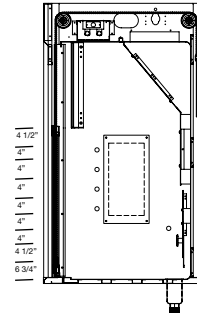
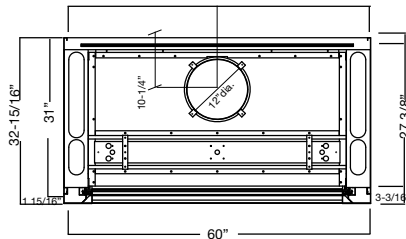
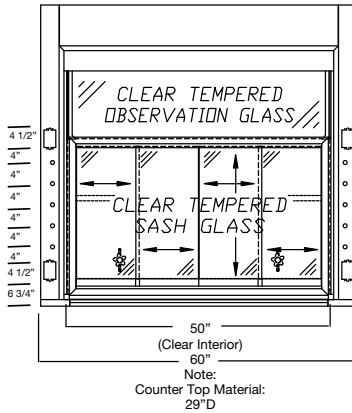
F-401 GEN-5 Isotope Bench Hood Fume Hood Accessories

Please see the Fume Hood Accessories section for available options.

F-401-48G5 - 48" Isotope BENCH FUME HOOD

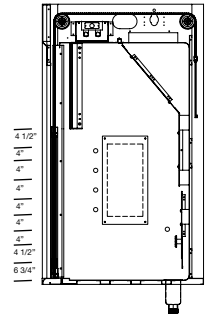
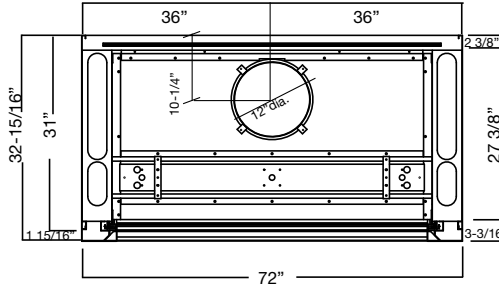
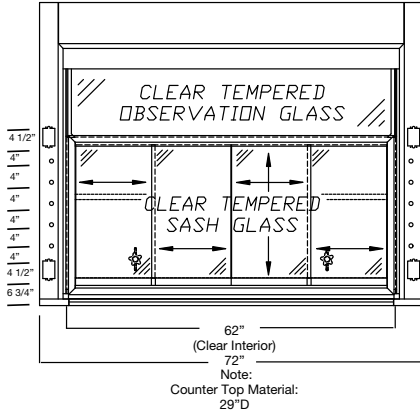


F-401-60G5 - 60" Isotope BENCH FUME HOOD

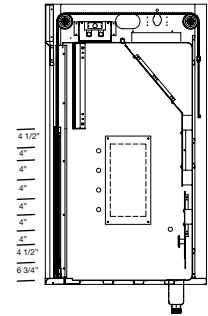
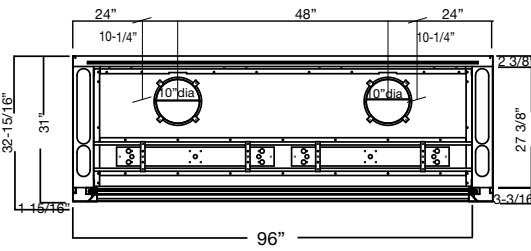
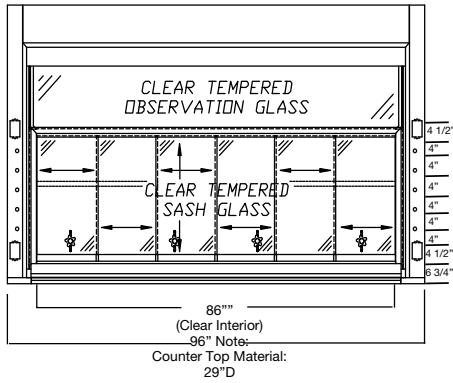


F-400 Series – Radioisotope Bench Hoods – Product Dimensions

F-401-72G5 - 72" Isotope BENCH FUME HOOD



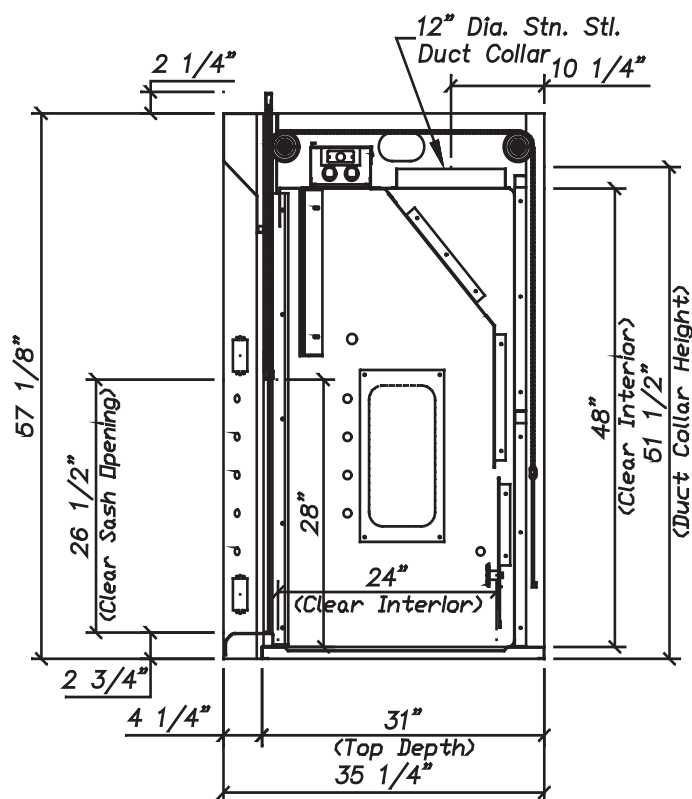
F-401-96G5 - 96" Isotope BENCH FUME HOOD



F-403 Isotope Bench Hood – Framed Vertical Sash

The ISOLATOR Isotope fume hood with a framed vertical sash, designed for use with radioisotope or biological work, features a type 304 or 316 stainless steel liner and baffles with coving on all containment chamber corners to facilitate cleaning. The integral work surface is reinforced to carry up to 200 lbs./sq. ft. of lead shielding or other overburden. The ISOLATOR's design and construction enhances its value by providing:

- Unparalleled user safety
- Full hood access for easy set ups
- Years of maintenance free service
- Unmatched ease of use
- Unique design qualities for unlimited customization possibilities
- Field conversion between Constant Air Volume (CAV) and Variable Air Volume (VAV)



F-403 Isotope Bench Hood Features

- Unsurpassed containment (designed and tested to exceed ASHRAE 110-1995)
- Unique chain driven sash mechanism that comes with a lifetime warranty
- Galvanized steel pan superstructure
- Transparent viewpass bypass system
- Stainless steel air foil
- Integral type 304 stainless steel worktop and cupsink
- Vertical sashes provide the greatest hood interior access
- Full view frameless sash with 26 1/2" opening
- Quality engineering ensures years of reliable service

F-400 Series – Radioisotope Bench Hoods – Ordering Information

F-403 Isotope Bench Hood Air Flow Data

Catalog Number	Duct Diameter	28" Open @ 100 FPM	18" Open @ 100 FPM
F-403-36	1 : 10"	506 CFM @ .14 "SP	325 CFM @ .06 "SP
F-403-48	1 : 10"	739 CFM @ .29 "SP	475 CFM @ .12 "SP
F-403-60	1 : 12"	972 CFM @ .27 "SP	625 CFM @ .11 "SP
F-403-72	1 : 12"	1206 CFM @ .42 "SP	775 CFM @ .17 "SP
F-403-96	2 : 10"	1672 CFM @ .37 "SP	1075 CFM @ .15 "SP

F-403 Isotope Bench Hood Product Numbers

F-403-36	Isotope 36"	Framed Sash	(304 Coved)
F-403-48	Isotope 48"	Framed Sash	(304 Coved)
F-403-60	Isotope 60"	Framed Sash	(304 Coved)
F-403-72	Isotope 72"	Framed Sash	(304 Coved)
F-403-96	Isotope 96"	Framed Sash	(304 Coved)

F-403 Isotope Bench Hood Liner Options

Type 304 stainless steel liner and integral workshop is standard. Please see the Hood Liners section for available options.

F-403 Isotope Bench Hood Electrical Options

Fascia is pre-punched with two electrical cutouts (four cutouts total). Please see the Electrical Fixtures section for available options.

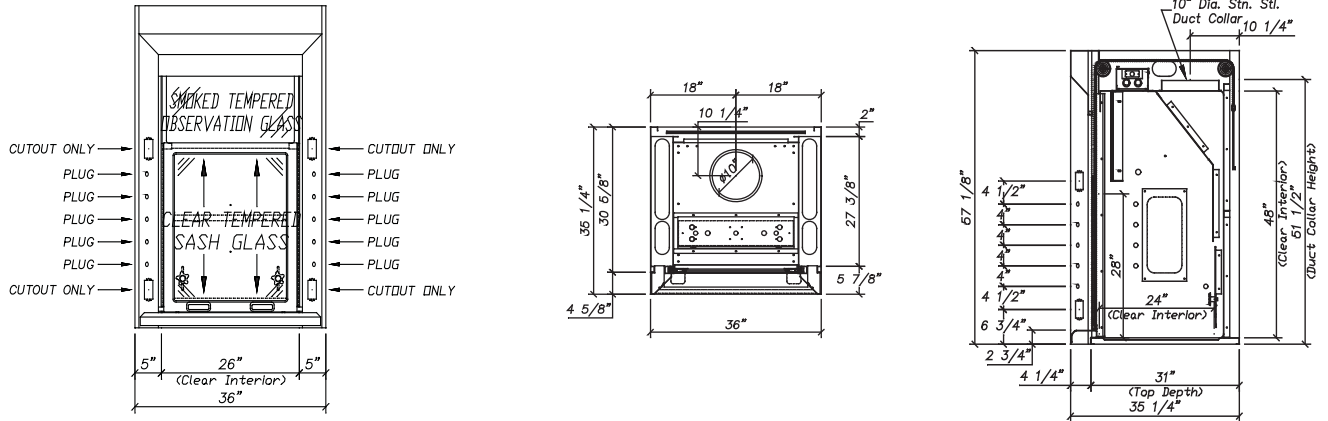
F-403 Isotope Bench Hood Plumbing Fixtures

Fascia is pre-punched with five 3/4" dia. holes to accept rod driven remote fixtures (ten holes total). Please see the Plumbing Fixtures section for available options.

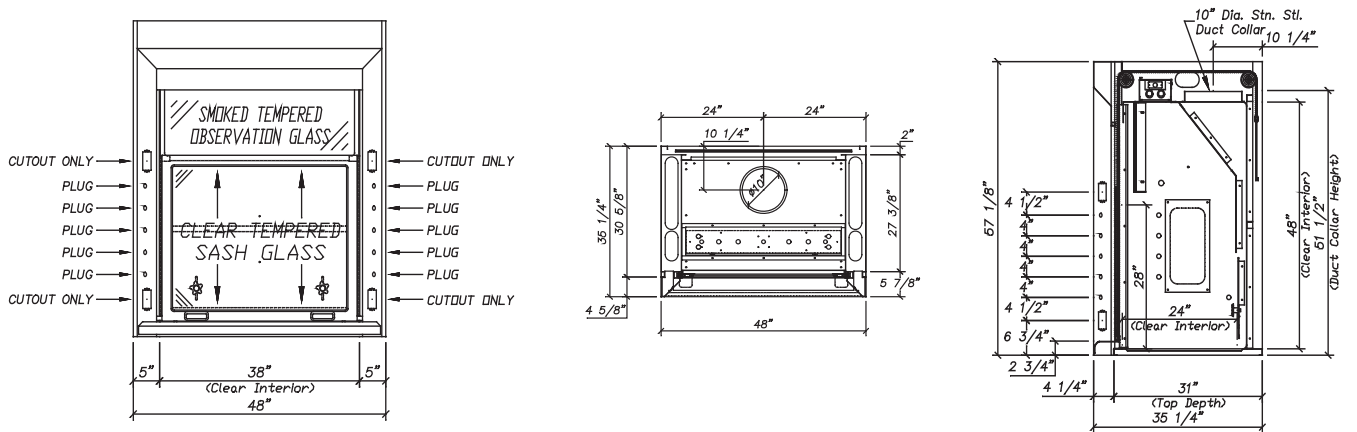
F-403 Isotope Bench Hood Fume Hood Accessories

Please see the Fume Hood Accessories section for available options.

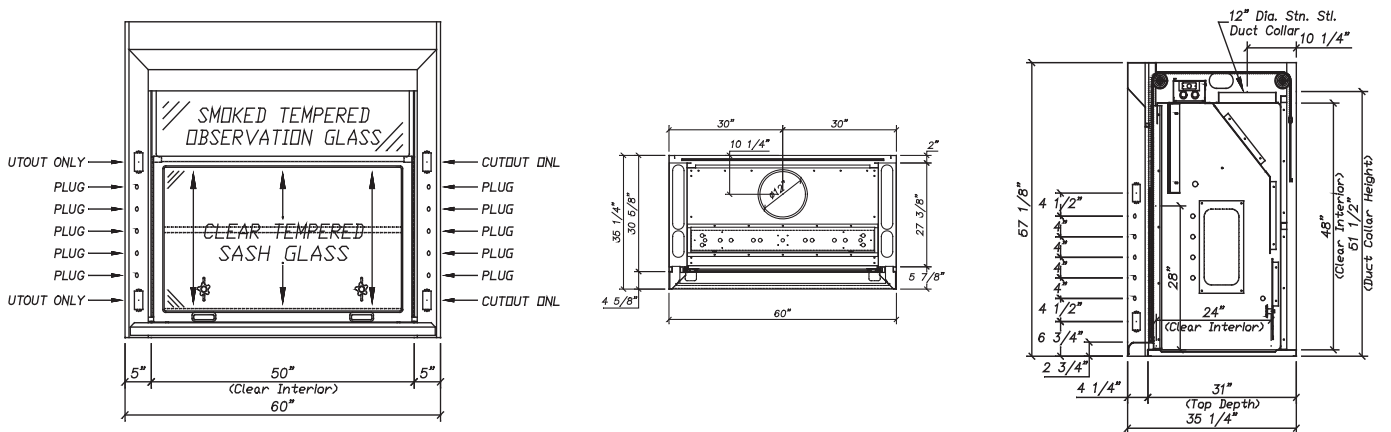
F-403-36 – 36" Isotope Bench Hood



F-403-48 – 48" Isotope Bench Hood

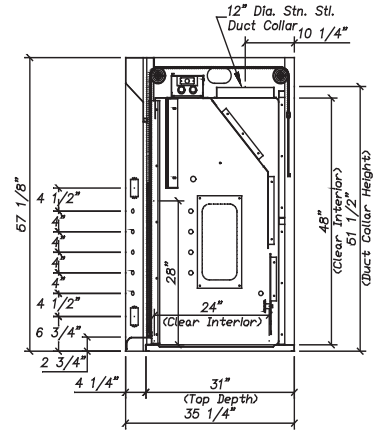
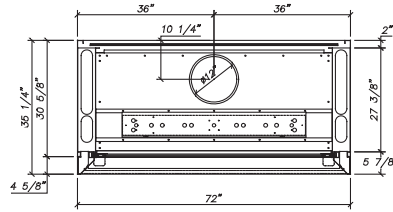
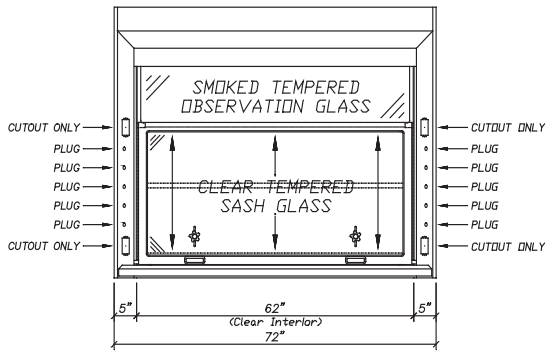


F-403-60 – 60" Isotope Bench Hood

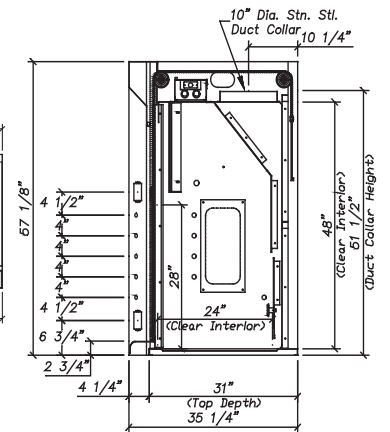
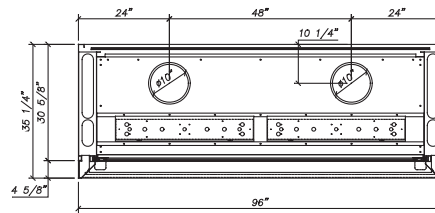
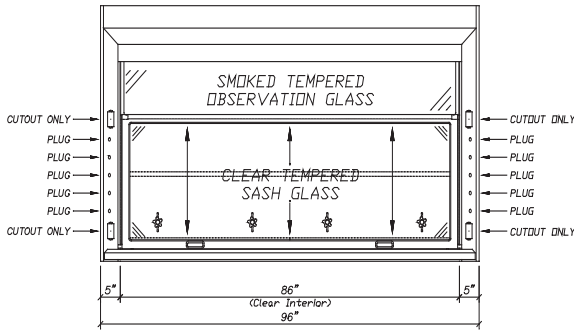


F-400 Series – Radioisotope Bench Hoods – Product Dimensions

F-403-72 – 72" Isotope Bench Hood



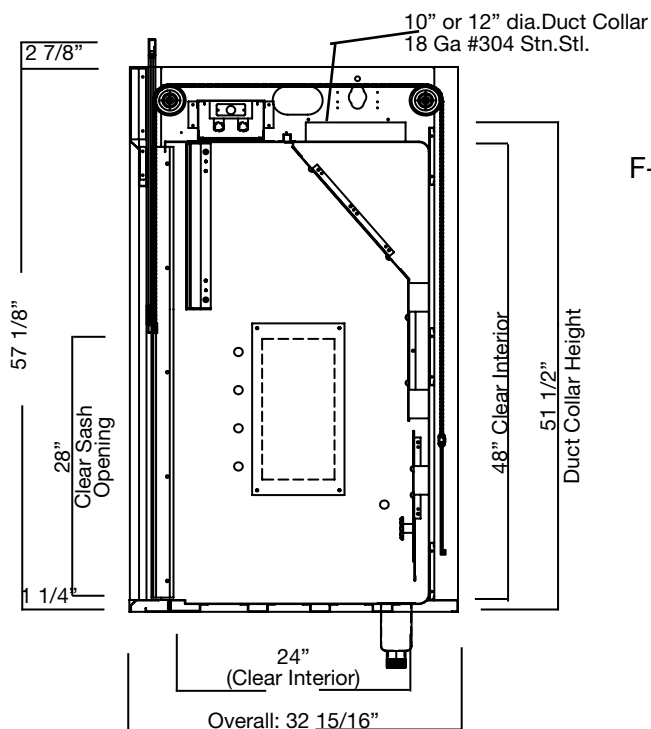
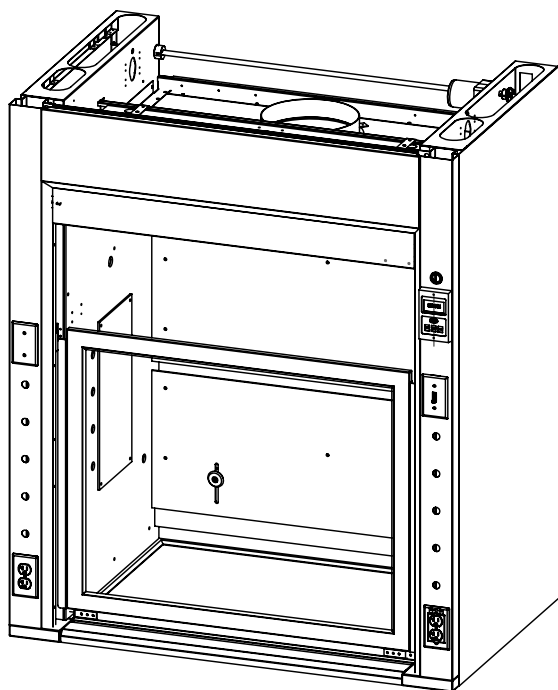
F-403-96 – 96" Isotope Bench Hood



F-403 ISOLATOR GEN-5 Isotope Bench Hood – Framed Vertical Sash

The ISOLATOR GENERATION-5 Isotope fume hood with a framed vertical sash, designed for use with radioisotope or biological work, features a type 304 or 316 stainless steel liner and baffles with coving on all containment chamber corners to facilitate cleaning. The integral work surface is reinforced to carry up to 200 lbs./sq. ft. of lead shielding or other overburden. The ISOLATOR GEN-5 design and construction enhances its value by providing:

- Unparalleled user safety
- Full hood access for easy set ups
- Years of maintenance free service
- Unmatched ease of use
- Unique design qualities for unlimited customization possibilities
- Field conversion between Constant Air Volume (CAV) and Variable Air Volume (VAV)



Note:
Counter Top Material:
29"D

F-403 ISOLATOR GEN-5 Isotope Bench Hood Features

- Unsurpassed containment (designed and tested to exceed ASHRAE 110-1995)
- The hood is UL1805/CUL certified listed
- Unique chain driven sash mechanism that comes with a lifetime warranty
- Painted steel pan superstructure
- 16.25"H. clear observation glass panel, bypass system
- Stainless steel flush sill containment trough
- Integral type 304 stainless steel work top; optional cup sink must be specified.
- Vertical sashes provide the greatest hood interior access
- Full view framed sash with 28" opening
- Quality engineering ensures years of reliable service

F-400 Series – Radioisotope Bench Hoods – Ordering Information

F-403 ISOLATOR GEN-5 Isotope Bench Hood

F-403 GEN-5 Isotope Bench Hood Air Flow Data

Catalog Number	Duct Diameter	28" Open @ 100 FPM	18" Open @ 100 FPM
F-403-36G5	1 : 10"	506 CFM @ .14 "SP	325 CFM @ .06 "SP
F-403-48G5	1 : 10"	739 CFM @ .29 "SP	475 CFM @ .12 "SP
F-403-60G5	1 : 12"	972 CFM @ .27 "SP	625 CFM @ .11 "SP
F-403-72G5	1 : 12"	1206 CFM @ .42 "SP	775 CFM @ .17 "SP
F-403-96G5	2 : 10"	1672 CFM @ .37 "SP	1075 CFM @ .15 "SP

F-403 GEN-5 Isotope Bench Hood Product Numbers

F-403-36G5	Isotope 36"	Framed Sash	(304 Coved)
F-403-48G5	Isotope 48"	Framed Sash	(304 Coved)
F-403-60G5	Isotope 60"	Framed Sash	(304 Coved)
F-403-72G5	Isotope 72"	Framed Sash	(304 Coved)
F-403-96G5	Isotope 96"	Framed Sash	(304 Coved)

F-403 GEN-5 Isotope Bench Hood Liner Options

Type 304 stainless steel liner and integral workshop is standard. Please see the Hood Liners section for available options.

F-403 GEN-5 Isotope Bench Hood Electrical Options

Fascia is pre-punched with two electrical cutouts (four cutouts total). Please see the Electrical Fixtures section for available options.

F-403 GEN-5 Isotope Bench Hood Plumbing Fixtures

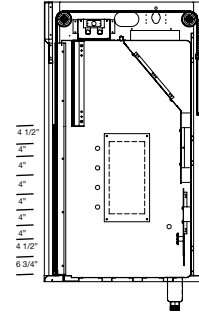
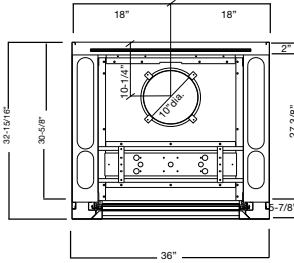
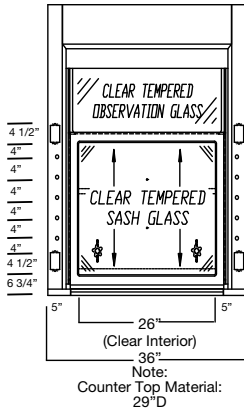
Fascia is pre-punched with five 3/4" dia. holes to accept rod driven remote fixtures (ten holes total). Please see the Plumbing Fixtures section for available options.

F-403 GEN-5 Isotope Bench Hood Fume Hood Accessories

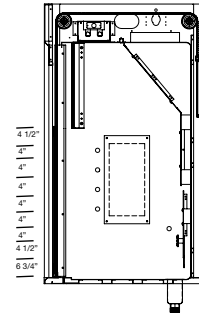
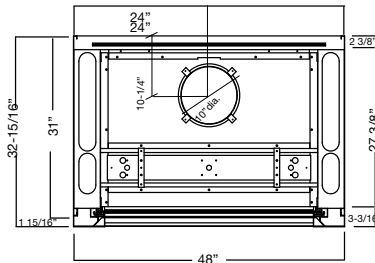
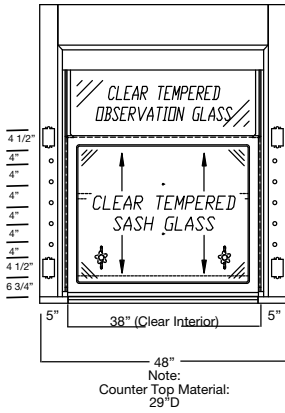
Please see the Fume Hood Accessories section for available options.

F-403 ISOLATOR GEN-5 Isotope Bench Hood

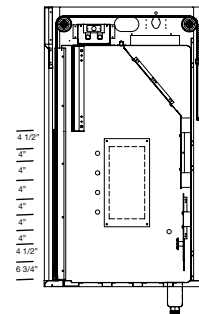
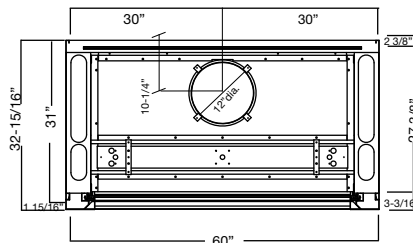
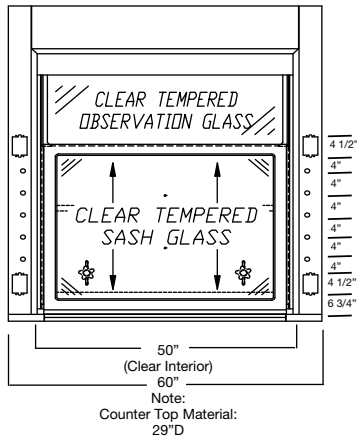
F-403-36G5 - 36" Isotope BENCH FUME HOOD



F-403-48G5 - 48" Isotope BENCH FUME HOOD

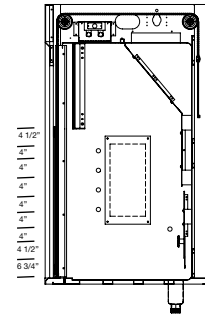
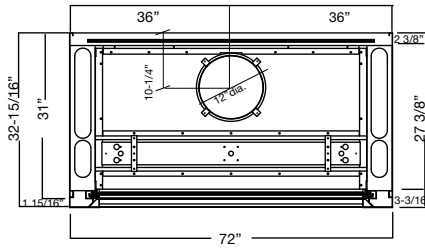
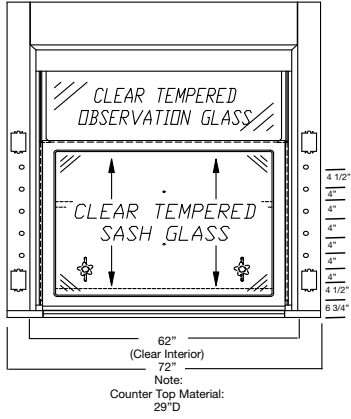


F-403-60G5 - 60" Isotope BENCH FUME HOOD

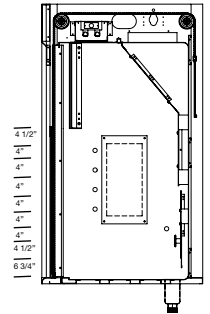
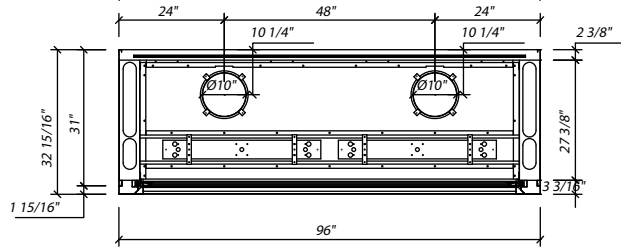
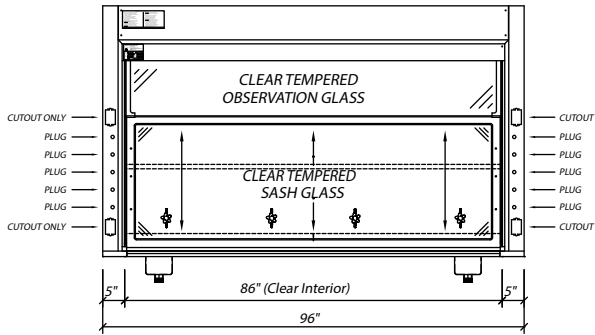


F-400 Series – Radioisotope Bench Hoods – Product Dimensions

F-403-72G5 - 72" Isotope BENCH FUME HOOD



F-403-96G5 - 96" Isotope BENCH FUME HOOD



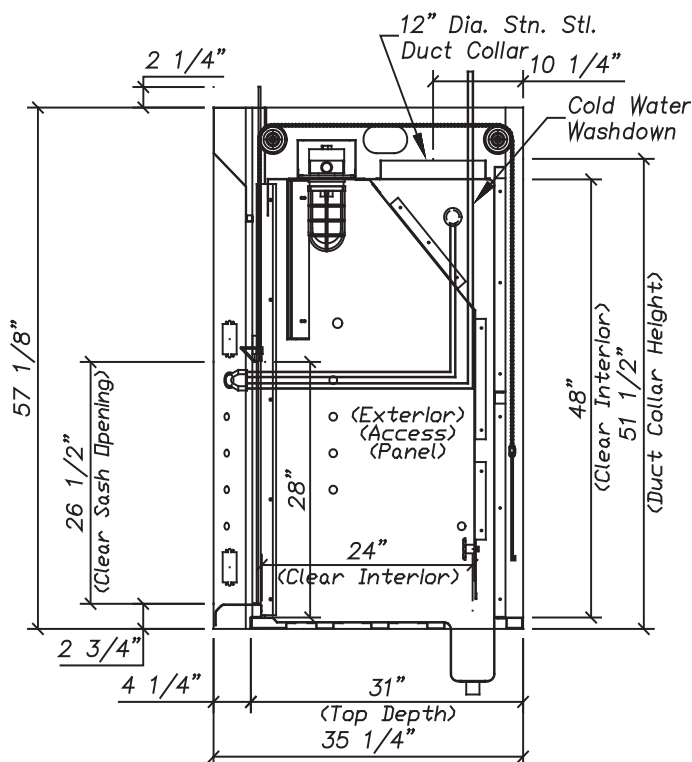
F-500 Perchloric Acid Bench – Frameless Vertical Sash

The ISOLATOR perchloric acid fume hood with a frameless vertical sash features a type 316 stainless steel liner and baffles with coving on all containment chamber corners. Also included is a washdown system designed to carry away potentially explosive perchloric acid salts through a 4" to 5 3/4" sloped trench with a single drain. The ISOLATOR's design and construction enhances its value by providing:

- Unparalleled user safety
- Full hood access for easy set ups
- Years of maintenance free service
- Unmatched ease of use
- Unique design qualities for unlimited customization possibilities
- Field conversion between Constant Air Volume (CAV) and Variable Air Volume (VAV)



*SPECIAL NOTES: Perchloric hoods attached to long runs of ductwork require solenoid activated, electronically sequenced spray head activation to assure the flow rate into the fume hood washdown trench never exceeds the 45 GPM overflow rate. Any blower purchased to exhaust this hood should have internal washdown capability and be lubricated with fluorocarbon grease and oil.



F-500 Perchloric Acid Bench Features

- Unsurpassed containment (designed and tested to exceed ASHRAE 110-1995)
- Unique chain driven sash mechanism that comes with a lifetime warranty
- Galvanized steel pan superstructure
- Transparent viewpass bypass system
- Stainless steel air foil
- Aerodynamically designed airplane wing style sash handle enhances the perimeter containment
- Integral type 316 stainless steel worktop with trench drain and washdown setup
- A perforated PVC washdown bar, water valve and remote knob assembly
- Vertical sashes provide the greatest hood interior access
- Full view frameless sash with 26 1/2" opening
- Quality engineering ensures years of reliable service

F-500 Series – Perchloric Hoods – Ordering Information

F-500 Perchloric Acid Bench Air Flow Data

Catalog Number	Duct Diameter	28" Open @ 100 FPM	18" Open @ 100 FPM
F-500-36	1 : 10"	506 CFM @ .14 "SP	325 CFM @ .06 "SP
F-500-48	1 : 10"	739 CFM @ .29 "SP	475 CFM @ .12 "SP
F-500-60	1 : 12"	972 CFM @ .27 "SP	625 CFM @ .11 "SP
F-500-72	1 : 12"	1206 CFM @ .42 "SP	775 CFM @ .17 "SP
F-500-96	2 : 10"	1672 CFM @ .37 "SP	1075 CFM @ .15 "SP

F-500 Perchloric Acid Bench Product Numbers

F-500-36	Perchloric 36"	Frameless with washdown	(316 Coved)
F-500-48	Perchloric 48"	Frameless with washdown	(316 Coved)
F-500-60	Perchloric 60"	Frameless with washdown	(316 Coved)
F-500-72	Perchloric 72"	Frameless with washdown	(316 Coved)
F-500-96	Perchloric 96"	Frameless with washdown	(316 Coved)

F-500 Perchloric Acid Bench Liner Options

The liner material is 16 gauge type 31 stainless steel liner with coved corners.

F-500 Perchloric Acid Bench Electrical Options

Fascia is pre-punched with two electrical cutouts (four cutouts total). Please see the Electrical Fixtures section for available options.

F-500 Perchloric Acid Bench Plumbing Fixtures

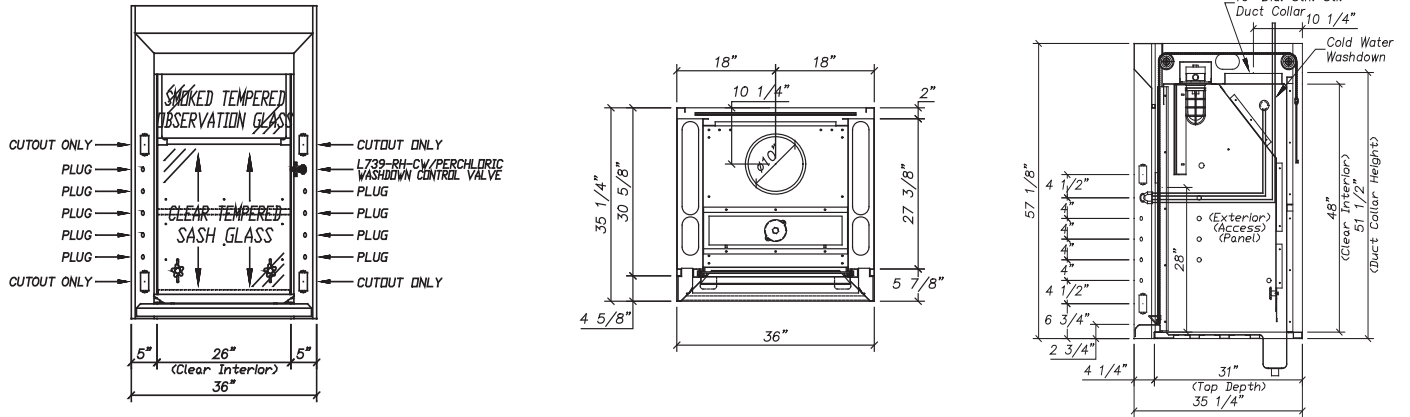
Fascia is pre-punched with five 3/4" dia. holes to accept rod driven remote fixtures (ten holes total). Please see the Plumbing Fixtures section for available options.

Note: Valves are pre-piped to the top of the fume hood.

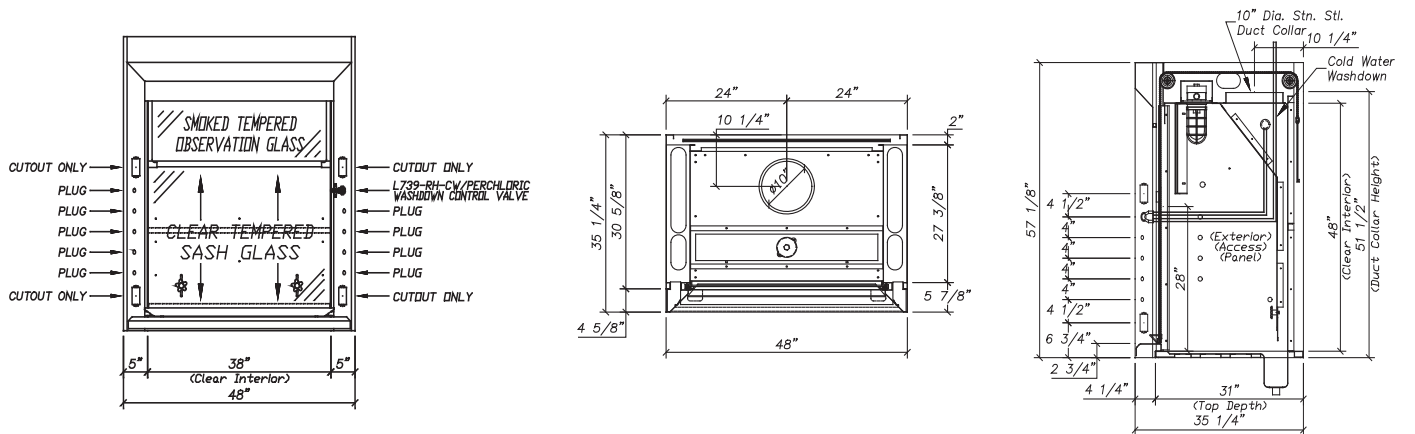
F-500 Perchloric Acid Bench Fume Hood Accessories

Please see the Fume Hood Accessories section for available options.

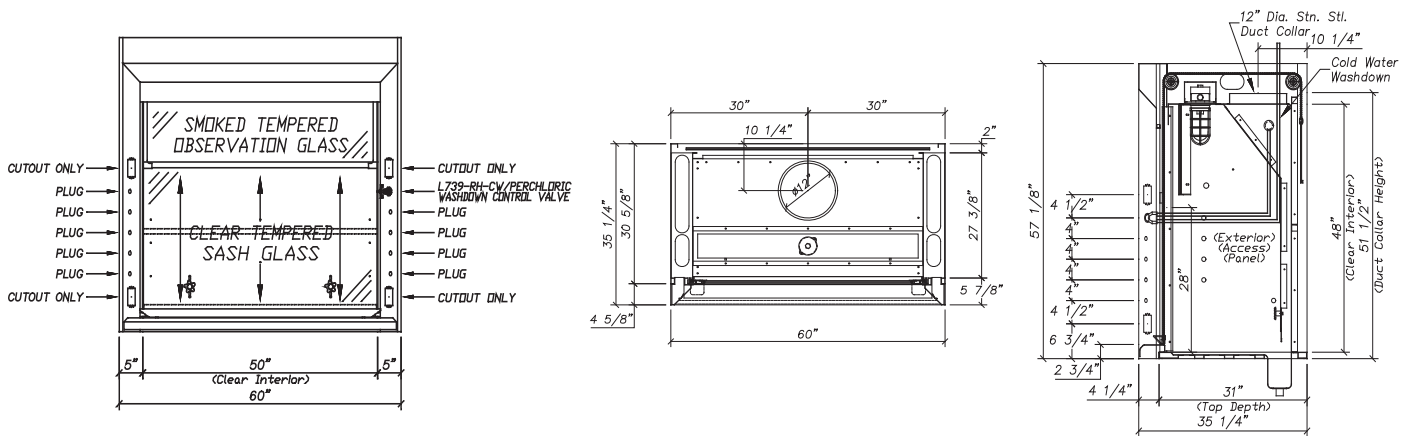
F-500-36 – 36" Perchloric Acid Bench



F-500-48 – 48" Perchloric Acid Bench

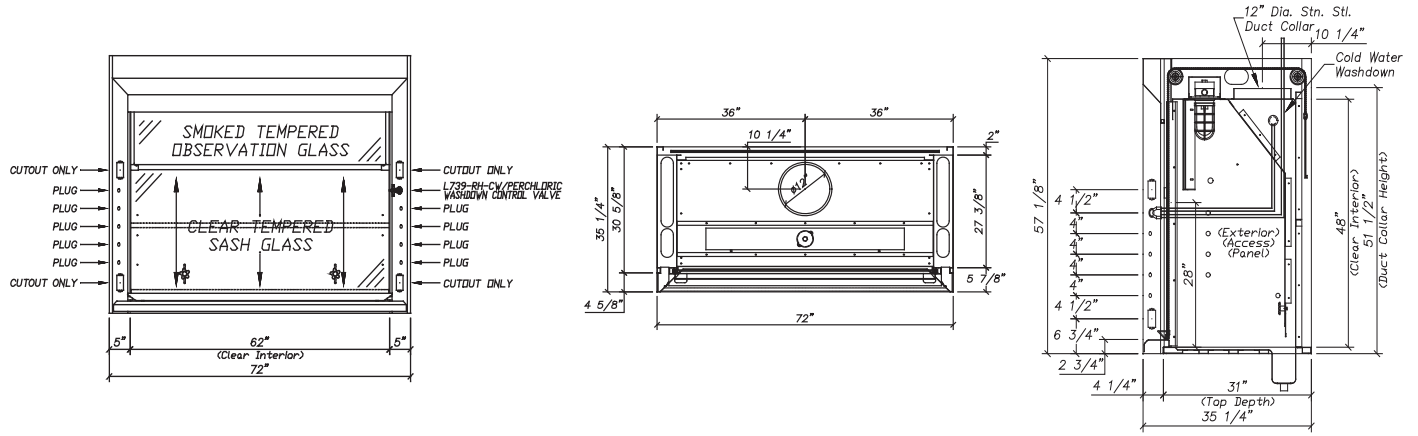


F-500-60 – 60" Perchloric Acid Bench

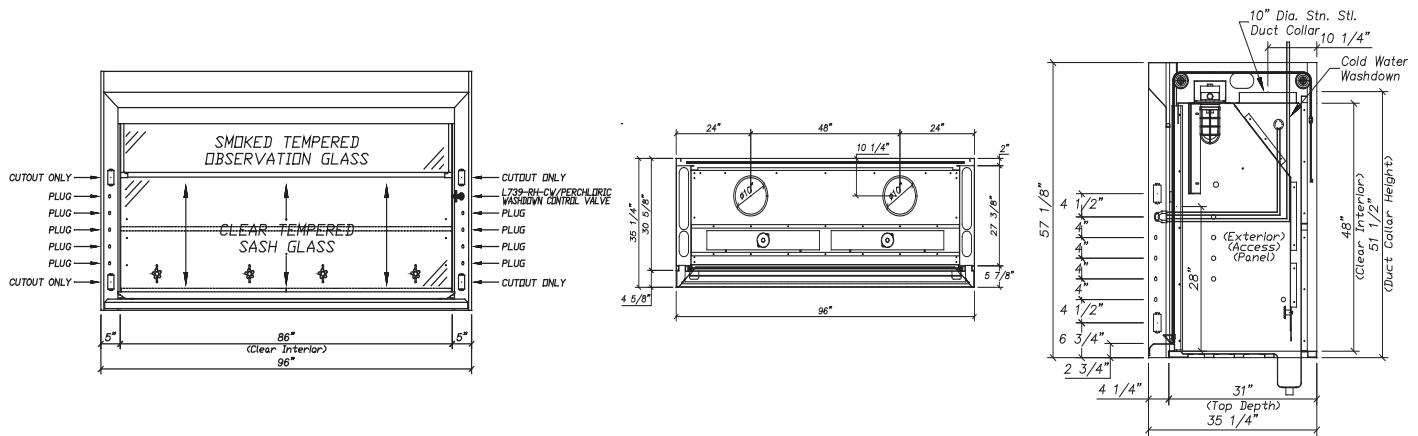


F-500 Series – Perchloric Acid Bench – Product Dimensions

F-500-72 – 72" Perchloric Acid Bench



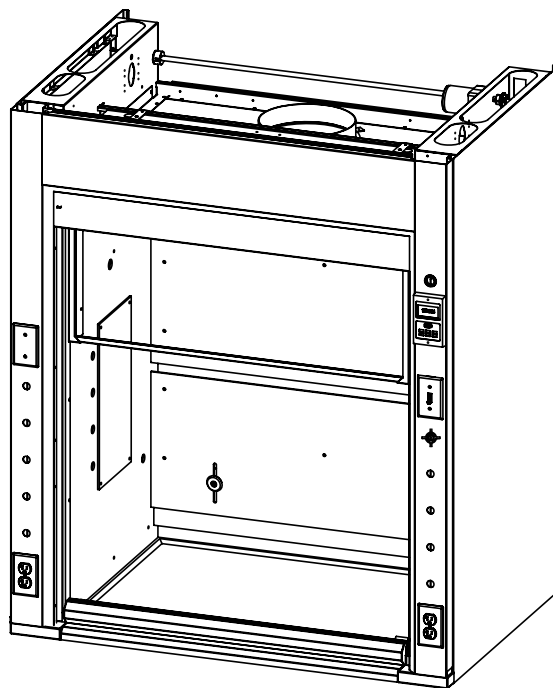
F-500-96 – 96" Perchloric Acid Bench



F-500 ISOLATOR GEN-5 Perchloric Acid Bench – Frameless Vertical Sash

The ISOLATOR GENERATION-5 perchloric acid fume hood with a frameless vertical sash features a type 316 stainless steel liner and baffles with coving on all containment chamber corners. Also included is a wash down system designed to carry away potentially explosive perchloric acid salts through a 4" to 5 3/4" sloped trench with a single drain. The ISOLATOR GEN-5 design and construction enhances its value by providing:

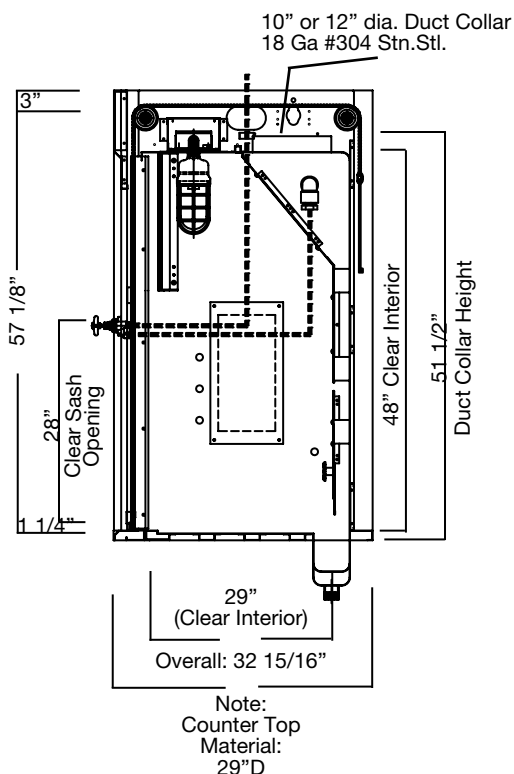
- Unparalleled user safety
- Full hood access for easy set ups
- Years of maintenance free service
- Unmatched ease of use
- Unique design qualities for unlimited customization possibilities
- Field conversion between Constant Air Volume (CAV) and Variable Air Volume (VAV)



*SPECIAL NOTES: Perchloric hoods attached to long runs of duct work require solenoid activated, electronically sequenced spray head activation to assure the flow rate into the fume hood wash down trench never exceeds the 45 GPM overflow rate. Any blower purchased to exhaust this hood should have internal wash down capability and be lubricated with fluorocarbon grease and oil.

F-500 ISOLATOR GEN-5 Perchloric Acid Bench Features

- Unsurpassed containment (designed and tested to exceed ASHRAE 110-1995)
- The hood is UL1805/CUL certified listed
- Unique chain driven sash mechanism that comes with a lifetime warranty
- Painted steel pan superstructure
- 16.25"H. clear observation glass panel, bypass system
- 316 Stainless steel flush sill containment trough
- Integral type 316 stainless steel work top with trench drain and wash down setup
- A perforated PVC wash down bar, water valve and remote knob assembly
- Vertical sashes provide the greatest hood interior access
- Full view frameless sash with 28" opening
- Quality engineering ensures years of reliable service



F-500 Series – Perchloric Hoods – Ordering Information

F-500 ISOLATOR GEN-5 Perchloric Acid Bench

F-500 ISOLATOR GEN-5 Perchloric Acid Bench Air Flow Data

Catalog Number	Duct Diameter	28" Open @ 100 FPM	18" Open @ 100 FPM
F-500-36G5	1 : 10"	506 CFM @ .14 "SP	325 CFM @ .06 "SP
F-500-48G5	1 : 10"	739 CFM @ .29 "SP	475 CFM @ .12 "SP
F-500-60G5	1 : 12"	972 CFM @ .27 "SP	625 CFM @ .11 "SP
F-500-72G5	1 : 12"	1206 CFM @ .42 "SP	775 CFM @ .17 "SP
F-500-96G5	2 : 10"	1672 CFM @ .37 "SP	1075 CFM @ .15 "SP

F-500 GEN-5 Perchloric Acid Bench Product Numbers

F-500-36G5	Perchloric 36"	Frameless with washdown	(316 Coved)
F-500-48G5	Perchloric 48"	Frameless with washdown	(316 Coved)
F-500-60G5	Perchloric 60"	Frameless with washdown	(316 Coved)
F-500-72G5	Perchloric 72"	Frameless with washdown	(316 Coved)
F-500-96G5	Perchloric 96"	Frameless with washdown	(316 Coved)

F-500 GEN-5 Perchloric Acid Bench Liner Options

The liner material is 16 gauge type 316 stainless steel liner with coved corners.

F-500 GEN-5 Perchloric Acid Bench Electrical Options

Fascia is pre-punched with two electrical cutouts (four cutouts total). Please see the Electrical Fixtures section for available options.

F-500 GEN-5 Perchloric Acid Bench Plumbing Fixtures

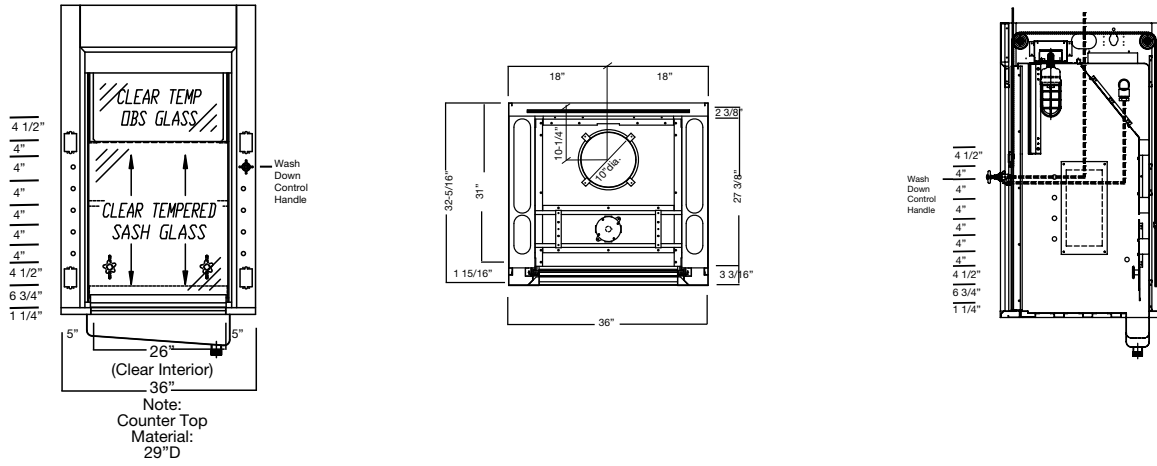
Fascia is pre-punched with five 3/4" dia. holes to accept rod driven remote fixtures (ten holes total). Please see the Plumbing Fixtures section for available options.

Note: Valves are pre-piped to the top of the fume hood.

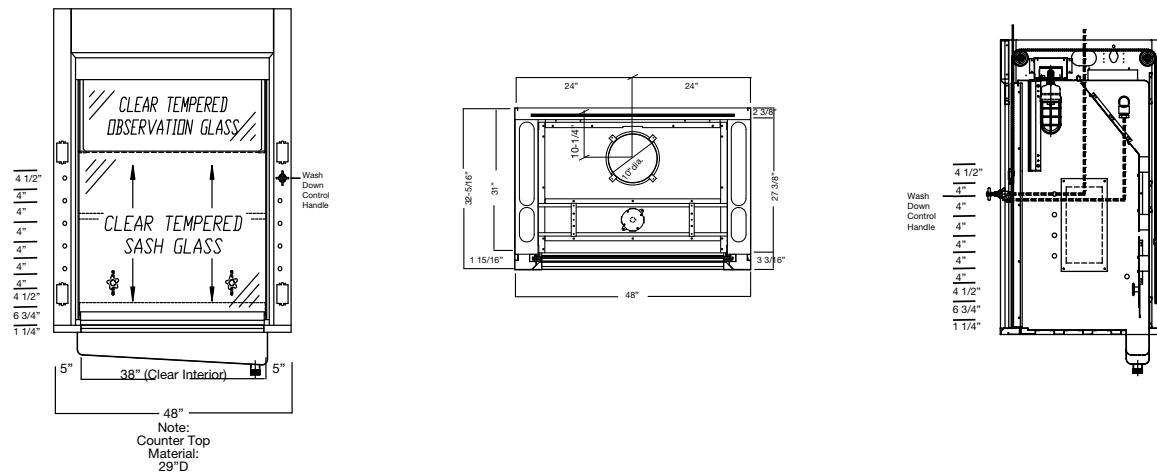
F-500 GEN-5 Perchloric Acid Bench Fume Hood Accessories

Please see the Fume Hood Accessories section for available options.

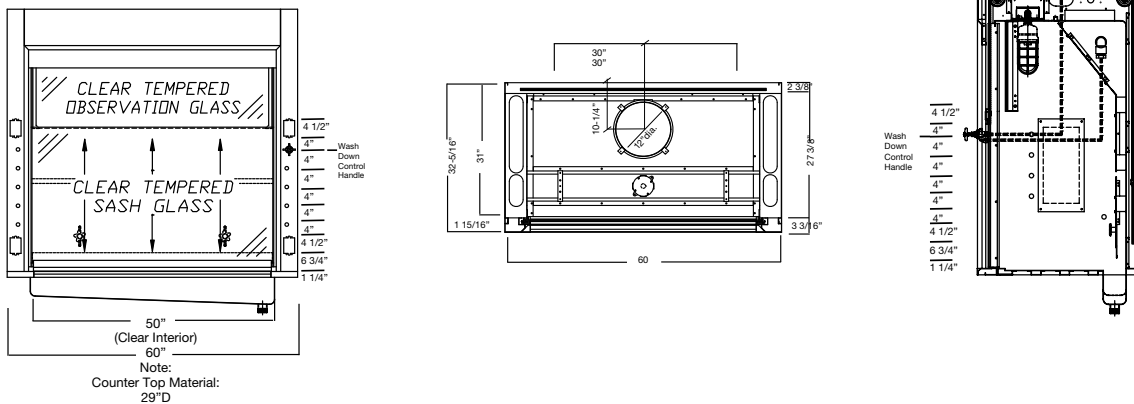
F-500-36G5 - 36" Perchloric Acid BENCH FUME HOOD



F-500-48G5 - 48" Perchloric Acid BENCH FUME HOOD

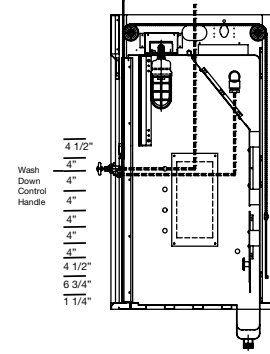
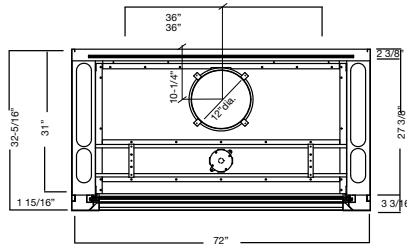
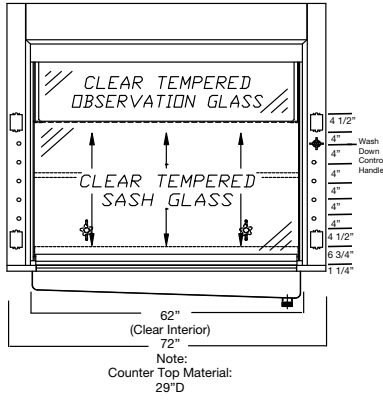


F-500-60G5 - 60" Perchloric Acid BENCH FUME HOOD

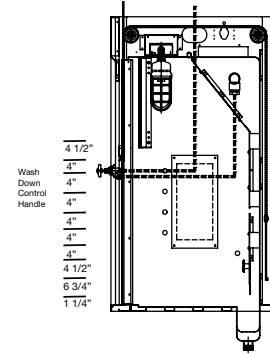
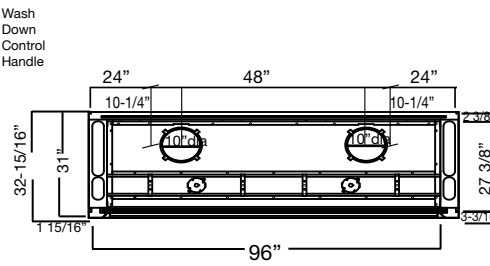
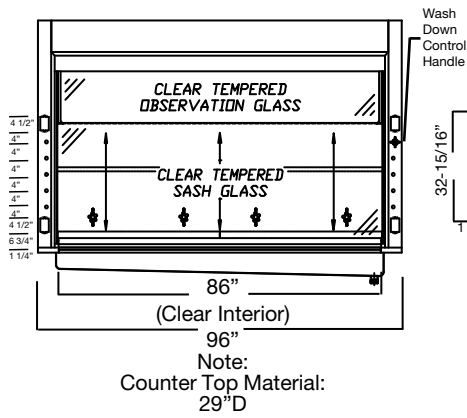


F-500 Series – Perchloric Hoods – Product Dimensions

F-500-72G5 - 72" Perchloric Acid BENCH FUME HOOD



F-500-96G5 - 96" Perchloric Acid BENCH FUME HOOD



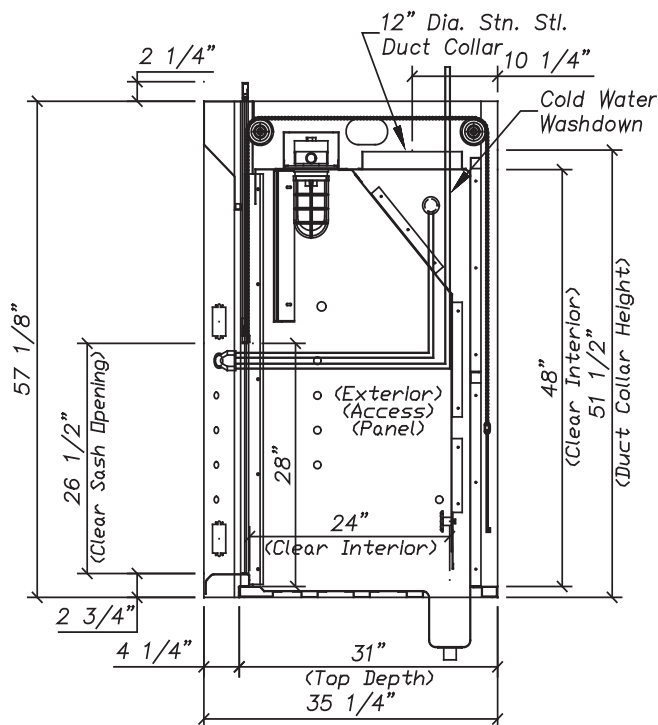
F-503 Perchloric Acid Bench – Framed Vertical Sash

The ISOLATOR perchloric acid fume hood with a framed vertical sash features a type 316 stainless steel liner and baffles with coving on all containment chamber corners. Also included is a washdown system designed to carry away potentially explosive perchloric acid salts through a 4" to 5 3/4" sloped trench with a single drain. The ISOLATOR's design and construction enhances its value by providing:

- Unparalleled user safety
- Full hood access for easy set ups
- Years of maintenance free service
- Unmatched ease of use
- Unique design qualities for unlimited customization possibilities
- Field conversion between Constant Air Volume (CAV) and Variable Air Volume (VAV)



*SPECIAL NOTES: Perchloric hoods attached to long runs of ductwork require solenoid activated, electronically sequenced spray head activation to assure the flow rate into the fume hood washdown trench never exceeds the 45 GPM overflow rate. Any blower purchased to exhaust this hood should have internal washdown capability and be lubricated with fluorocarbon grease and oil.



F-503 Perchloric Acid Bench Features

- Unsurpassed containment (designed and tested to exceed ASHRAE 110-1995)
- Unique chain driven sash mechanism that comes with a lifetime warranty
- Galvanized steel pan superstructure
- Transparent viewpass bypass system
- Stainless steel air foil
- Integral type 316 stainless steel worktop with trench drain and washdown setup
- A perforated PVC washdown bar, water valve and remote knob assembly
- Vertical sashes provide the greatest hood interior access
- Full view frameless sash with 26 1/2" opening
- Quality engineering ensures years of reliable service

F-500 Series – Perchloric Hoods – Ordering Information

F-503 Perchloric Acid Bench Air Flow Data

Catalog Number	Duct Diameter	28" Open @ 100 FPM	18" Open @ 100 FPM
F-503-36	1 : 10"	506 CFM @ .14 "SP	325 CFM @ .06 "SP
F-503-48	1 : 10"	739 CFM @ .29 "SP	475 CFM @ .12 "SP
F-503-60	1 : 12"	972 CFM @ .27 "SP	625 CFM @ .11 "SP
F-503-72	1 : 12"	1206 CFM @ .42 "SP	775 CFM @ .17 "SP
F-503-96	2 : 10"	1672 CFM @ .37 "SP	1075 CFM @ .15 "SP

F-503 Perchloric Acid Bench Product Numbers

F-503-36	Perchloric 36"	Framed with washdown	(316 Coved)
F-503-48	Perchloric 48"	Framed with washdown	(316 Coved)
F-503-60	Perchloric 60"	Framed with washdown	(316 Coved)
F-503-72	Perchloric 72"	Framed with washdown	(316 Coved)
F-503-96	Perchloric 96"	Framed with washdown	(316 Coved)

F-503 Perchloric Acid Bench Liner Options

The liner material is 16 gauge type 316 stainless steel liner with coved corners.

F-503 Perchloric Acid Bench Electrical Options

Fascia is pre-punched with two electrical cutouts (four cutouts total). Please see the Electrical Fixtures section for available options.

F-503 Perchloric Acid Bench Plumbing Fixtures

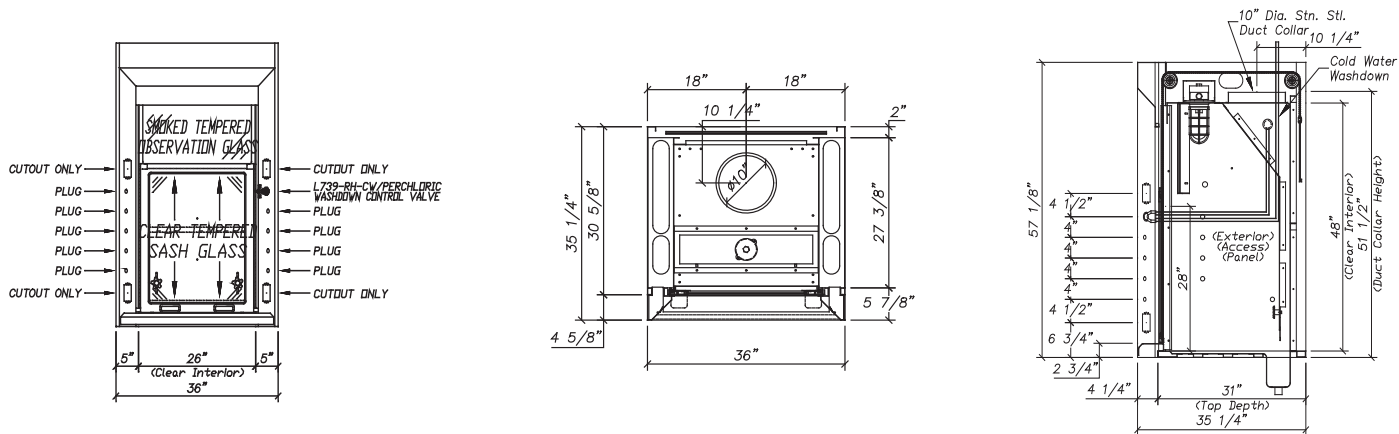
Fascia is pre-punched with five 3/4" dia. holes to accept rod driven remote fixtures (ten holes total). Please see the Plumbing Fixtures section for available options.

Note: Valves are pre-piped to the top of the fume hood.

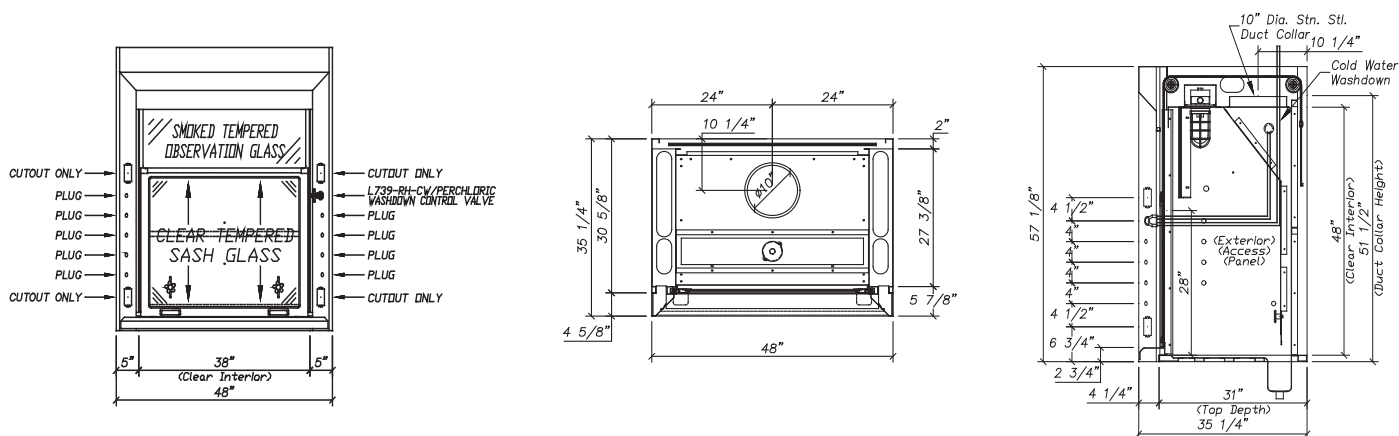
F-503 Perchloric Acid Bench Fume Hood Accessories

Please see the Fume Hood Accessories section for available options.

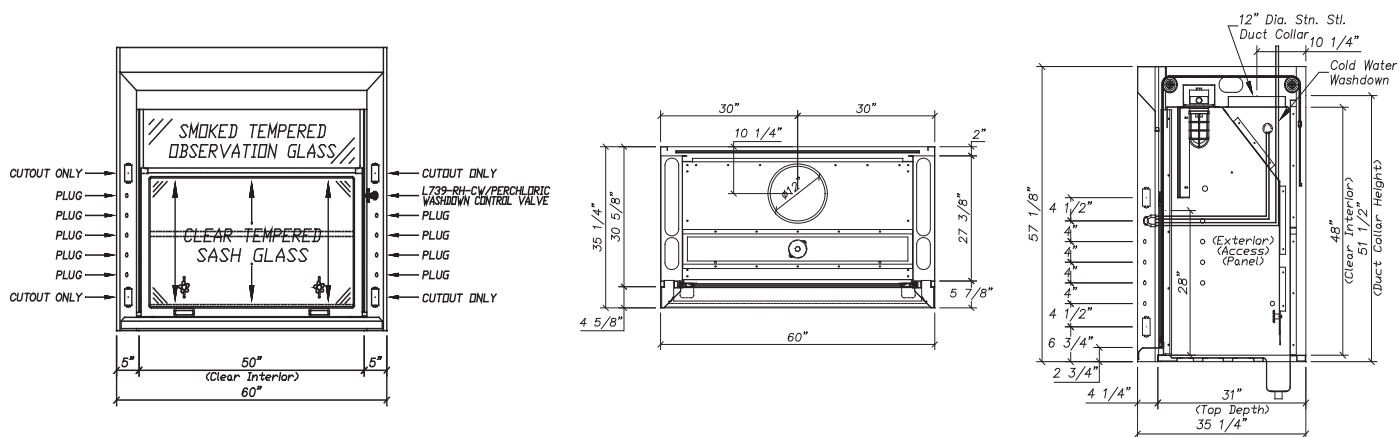
F-503-36 – 36" Perchloric Acid Bench



F-503-48 – 48" Perchloric Acid Bench

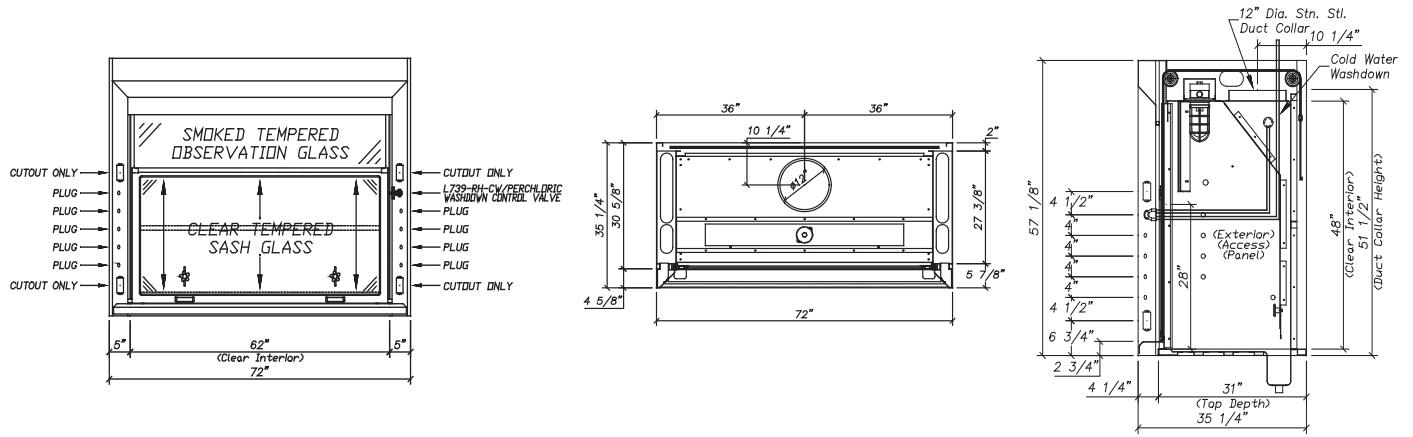


F-503-60 – 60" Perchloric Acid Bench

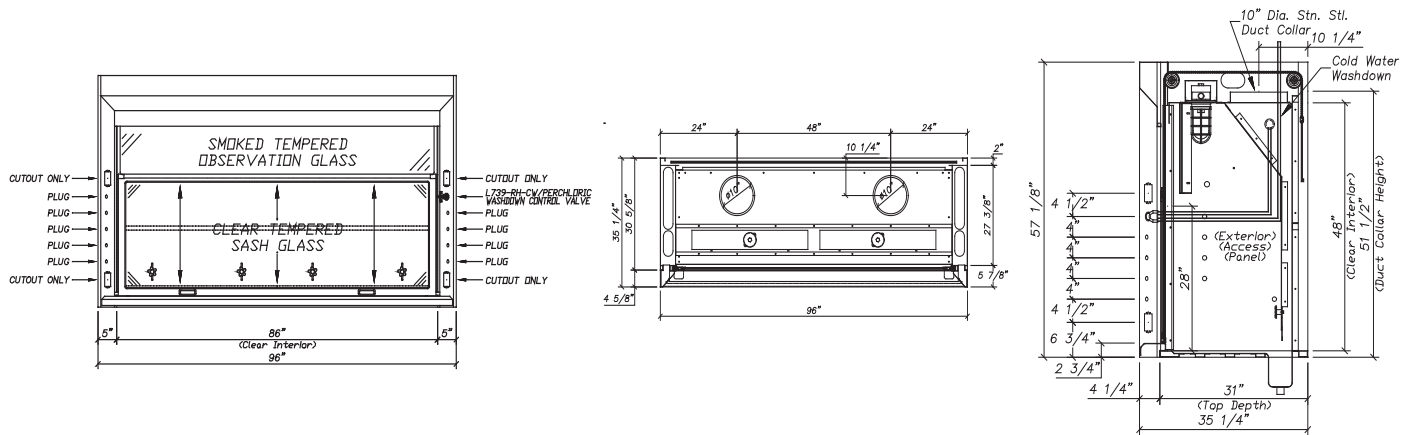


F-500 Series – Perchloric Acid Bench – Product Dimensions

F-503-72 – 72" Perchloric Acid Bench



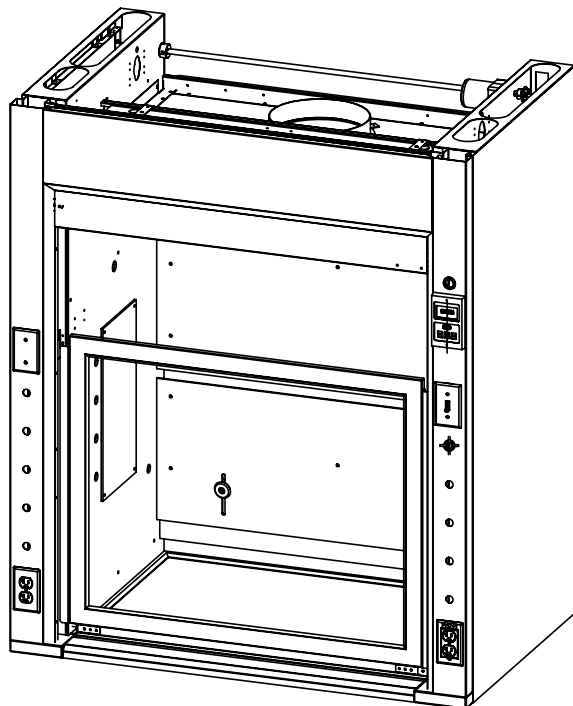
F-503-96 – 96" Perchloric Acid Bench



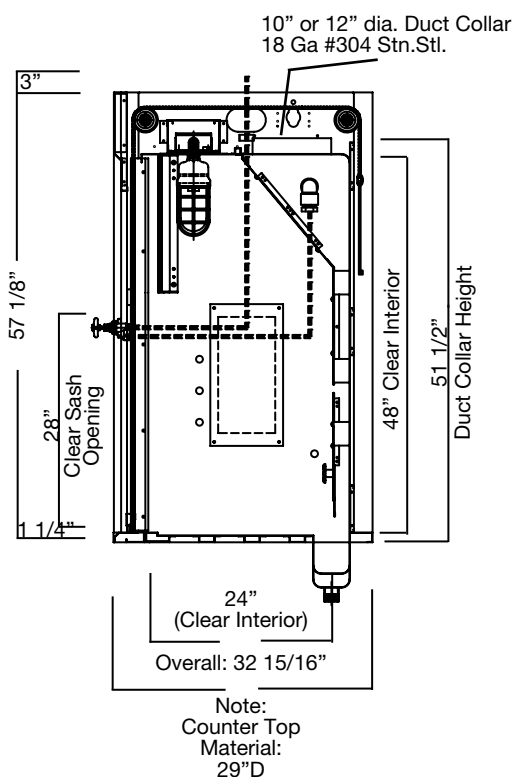
F-503 ISOLATOR GEN-5 Perchloric Acid Bench – Framed Vertical Sash

The ISOLATOR GENERATION-5 perchloric acid fume hood with a framed vertical sash features a type 316 stainless steel liner and baffles with coving on all containment chamber corners. Also included is a wash down system designed to carry away potentially explosive perchloric acid salts through a 4" to 5 3/4" sloped trench with a single drain. The ISOLATOR's design and construction enhances its value by providing:

- Unparalleled user safety
- Full hood access for easy set ups
- Years of maintenance free service
- Unmatched ease of use
- Unique design qualities for unlimited customization possibilities
- Field conversion between Constant Air Volume (CAV) and Variable Air Volume (VAV)



*SPECIAL NOTES: Perchloric hoods attached to long runs of duct work require solenoid activated, electronically sequenced spray head activation to assure the flow rate into the fume hood wash down trench never exceeds the 45 GPM overflow rate. Any blower purchased to exhaust this hood should have internal wash down capability and be lubricated with fluorocarbon grease and oil.



F-503 ISOLATOR GEN-5 Perchloric Acid Bench Features

- Unsurpassed containment (designed and tested to exceed ASHRAE 110-1995)
- The hood is UL1805/CUL certified listed
- Unique chain driven sash mechanism that comes with a lifetime warranty
- Painted steel pan superstructure
- 16.25"H. clear observation glass panel, bypass system
- 316 Stainless steel flush sill containment trough
- Integral type 316 stainless steel work top with trench drain and wash down setup
- A perforated PVC wash down bar, water valve and remote knob assembly
- Vertical sashes provide the greatest hood interior access
- Full view framed sash with 28" opening
- Quality engineering ensures years of reliable service

F-500 Series – Perchloric Acid Bench – Ordering Information

F-503 ISOLATOR GEN-5 Perchloric Acid Bench

F-503 ISOLATOR GEN-5 Perchloric Acid Bench Air Flow Data

Catalog Number	Duct Diameter	28" Open @ 100 FPM	18" Open @ 100 FPM
F-503-36G5	1 : 10"	506 CFM @ .14 "SP	325 CFM @ .06 "SP
F-503-48G5	1 : 10"	739 CFM @ .29 "SP	475 CFM @ .12 "SP
F-503-60G5	1 : 12"	972 CFM @ .27 "SP	625 CFM @ .11 "SP
F-503-72G5	1 : 12"	1206 CFM @ .42 "SP	775 CFM @ .17 "SP
F-503-96G5	2 : 10"	1672 CFM @ .37 "SP	1075 CFM @ .15 "SP

F-503 GEN-5 Perchloric Acid Bench Product Numbers

F-503-36G5	Perchloric 36"	Framed with wash down	(316 Coved)
F-503-48G5	Perchloric 48"	Framed with wash down	(316 Coved)
F-503-60G5	Perchloric 60"	Framed with wash down	(316 Coved)
F-503-72G5	Perchloric 72"	Framed with wash down	(316 Coved)
F-503-96G5	Perchloric 96"	Framed with wash down	(316 Coved)

F-503 GEN-5 Perchloric Acid Bench Liner Options

The liner material is 16 gauge type 316 stainless steel liner with coved corners.

F-503 GEN-5 Perchloric Acid Bench Electrical Options

Fascia is pre-punched with two electrical cutouts (four cutouts total). Please see the Electrical Fixtures section for available options.

F-503 GEN-5 Perchloric Acid Bench Plumbing Fixtures

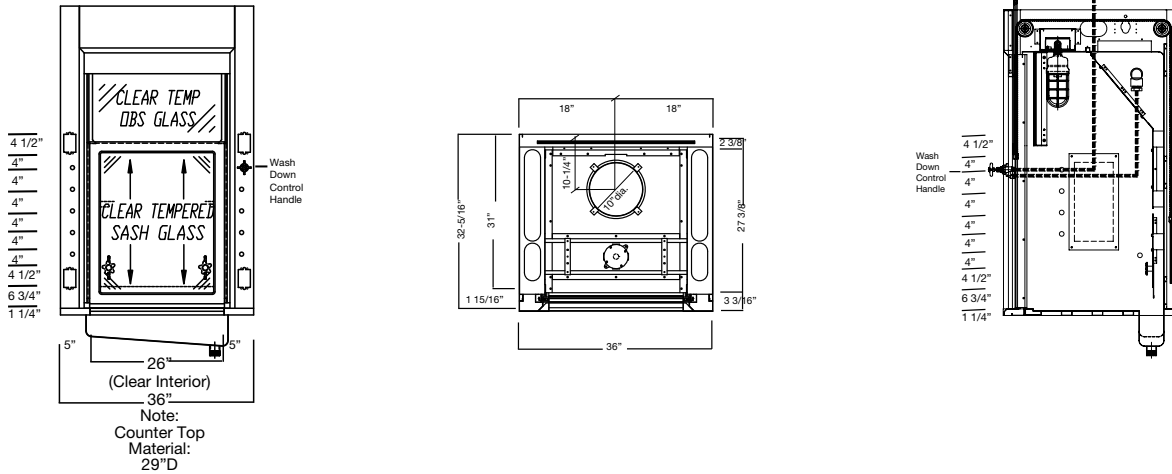
Fascia is pre-punched with five 3/4" dia. holes to accept rod driven remote fixtures (ten holes total). Please see the Plumbing Fixtures section for available options.

Note: Valves are pre-piped to the top of the fume hood.

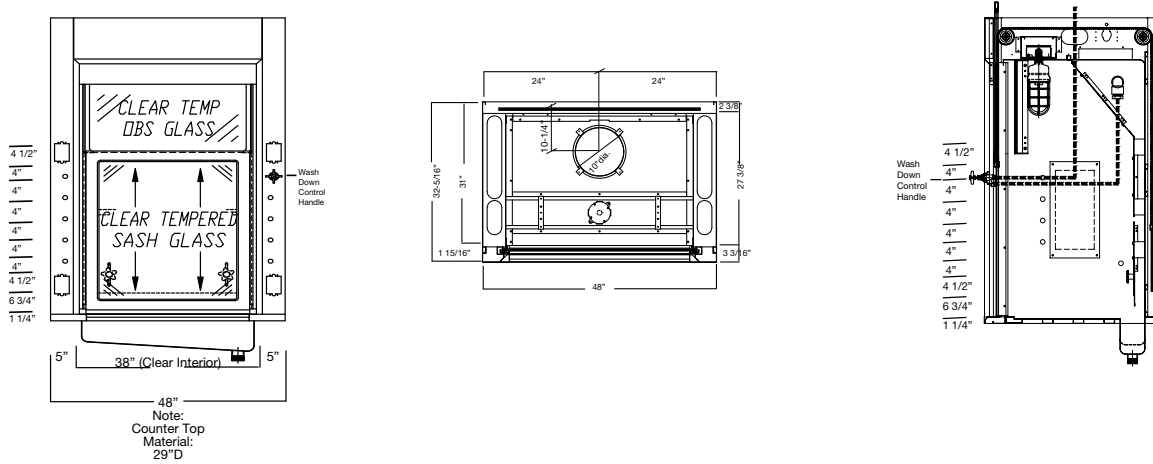
F-503 GEN-5 Perchloric Acid Bench Fume Hood Accessories

Please see the Fume Hood Accessories section for available options.

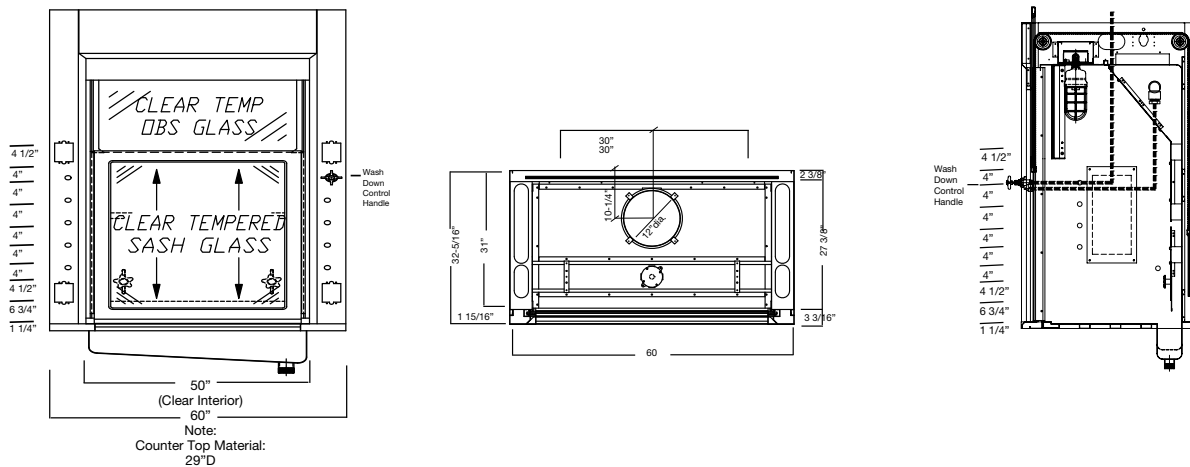
F-503-36G5 - 36" Perchloric Acid BENCH FUME HOOD



F-503-48G5 - 48" Perchloric Acid BENCH FUME HOOD

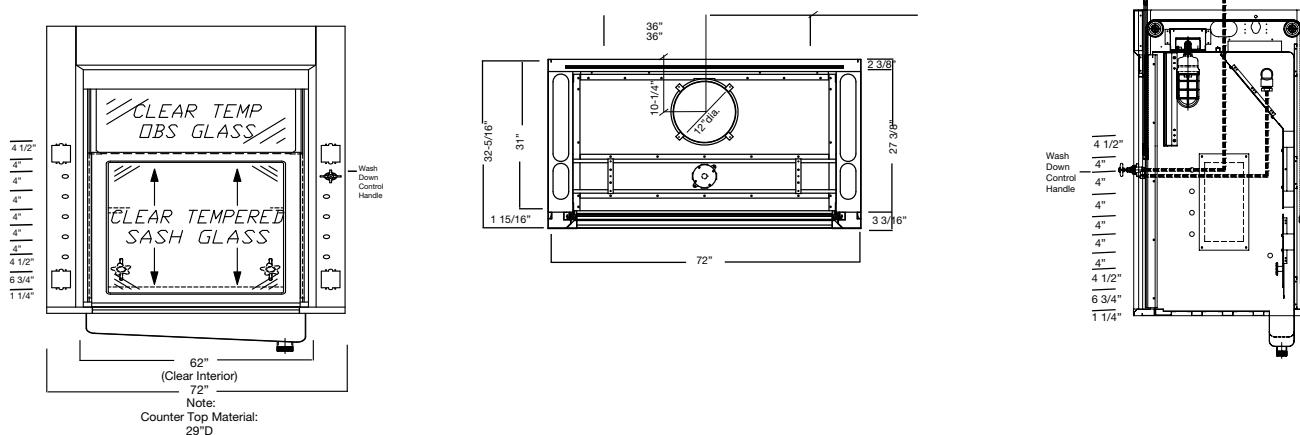


F-503-60G5 - 60" Perchloric Acid BENCH FUME HOOD

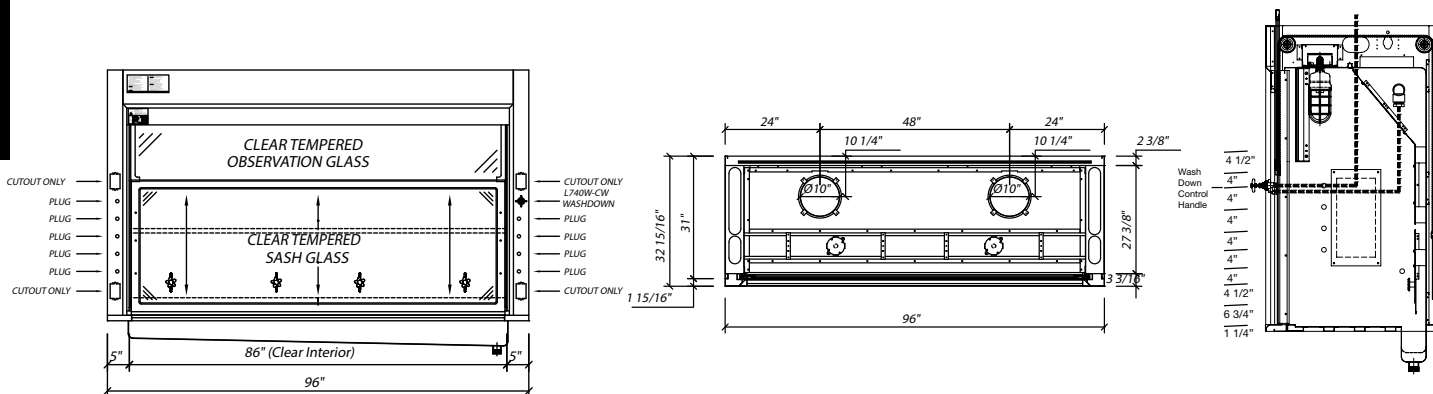


F-500 Series – Perchloric Acid Bench – Product Dimensions

F-503-72G5 - 72" Perchloric Acid BENCH FUME HOOD



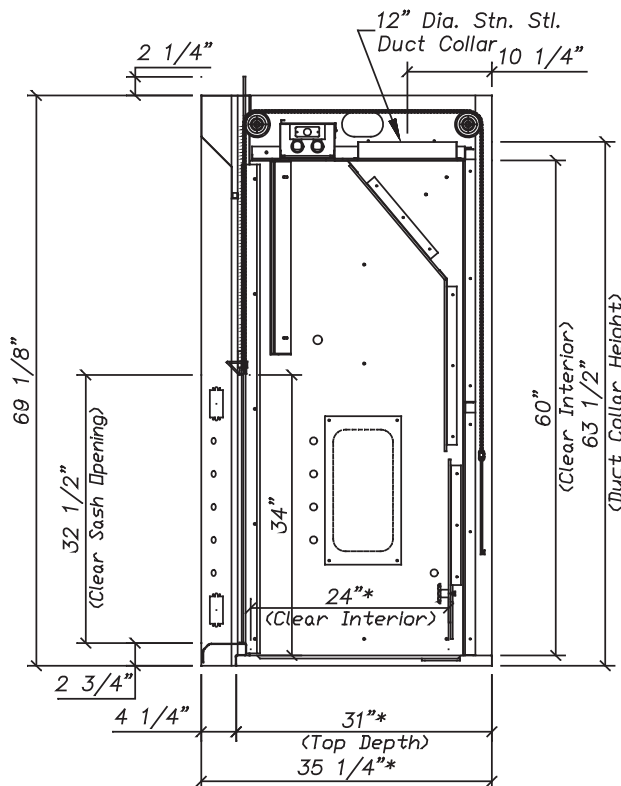
F-503-96G5 - 96" Perchloric Acid BENCH FUME HOOD



F-600 OS Height Bench Hood – Frameless Vertical Sash

The ISOLATOR OS height bench hood with the frameless vertical sash shares all the capabilities of our F-100 series bench hood. It offers an interior height of 60", as opposed to the standard bench interior height of 48", to accommodate taller apparatus. The ISOLATOR's design and construction enhances its value by providing:

- Unparalleled user safety
- Full hood access for easy set ups
- Years of maintenance free service
- Unmatched ease of use
- Unique design qualities for unlimited customization possibilities
- Field conversion between Constant Air Volume (CAV) and Variable Air Volume (VAV)



* NOTE: D30 HOOD DIMENSIONS: 30" (CLEAR INTERIOR) / 37" (TOP DEPTH) / 41 1/4" (D.A. DEPTH)

F-600 OS Height Bench Hood Features

- Unsurpassed containment (designed and tested to exceed ASHRAE 110-1995)
- Unique chain driven sash mechanism that comes with a lifetime warranty
- Galvanized steel pan superstructure
- Transparent viewpass bypass system
- Stainless steel air foil
- Aerodynamically designed airplane wing style sash handle enhances the perimeter containment
- Vertical sashes provide the greatest hood interior access
- Full view frameless sash with 32 1/2" opening
- Quality engineering ensures years of reliable service

F-600 Series – OS Height Bench Hoods – Ordering Information

F-600 OS Height Bench Air Flow Data

Catalog Number	Duct Diameter	34" Open @ 100 FPM	18" Open @ 100 FPM
F-600-36	1 : 10"	614 CFM @ .20 "SP	325 CFM @ .06 "SP
F-600-48	1 : 10"	897 CFM @ .43 "SP	475 CFM @ .12 "SP
F-600-60	1 : 12"	1181 CFM @ .40 "SP	625 CFM @ .11 "SP
F-600-72	1 : 12"	1464 CFM @ .62 "SP	775 CFM @ .17 "SP
F-600-96	2 : 10"	2031 CFM @ .55 "SP	1075 CFM @ .08 "SP

F-600 OS Height Bench Product Numbers

F-600-36	OS Bench 36"	Frameless	
F-600-36D30	OS Bench 36"	Frameless	30" Deep
F-600-48	OS Bench 48"	Frameless	
F-600-48D30	OS Bench 48"	Frameless	30" Deep
F-600-60	OS Bench 60"	Frameless	
F-600-60D30	OS Bench 60"	Frameless	30" Deep
F-600-72	OS Bench 72"	Frameless	
F-600-72D30	OS Bench 72"	Frameless	30" Deep
F-600-96	OS Bench 96"	Frameless	
F-600-96D30	OS Bench 96"	Frameless	30" Deep

F-600 OS Height Bench Liner Options

White Polyglass is standard. Please see the Hood Liners section for available options.

F-600 OS Height Bench Electrical Options

Fascia is pre-punched with two electrical cutouts (four cutouts total). Please see the Electrical Fixtures section for available options.

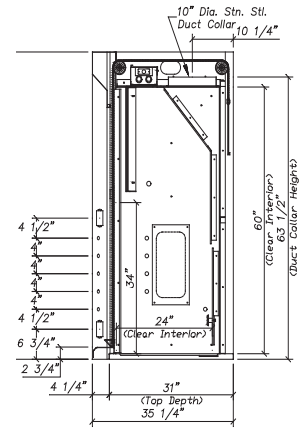
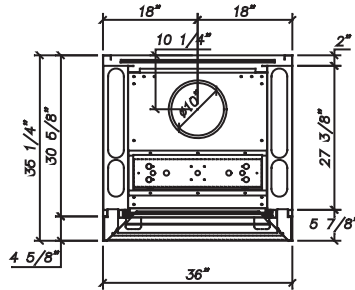
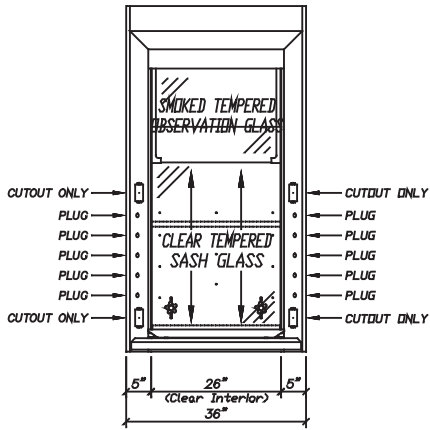
F-600 OS Height Bench Plumbing Fixtures

Fascia is pre-punched with five 3/4" dia. holes to accept rod driven remote fixtures (ten holes total). Please see the Plumbing Fixtures section for available options.

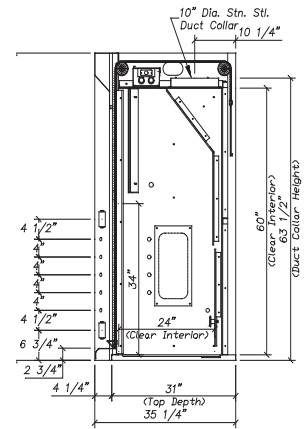
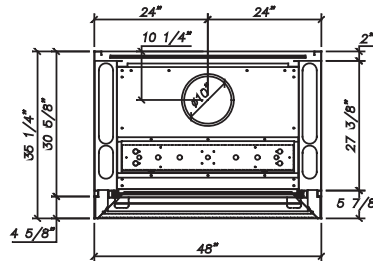
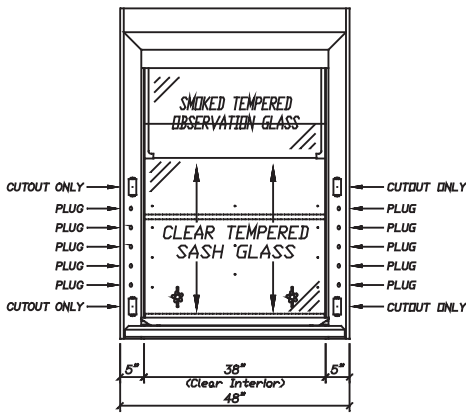
F-600 OS Height Bench Fume Hood Accessories

Please see the Fume Hood Accessories section for available options.

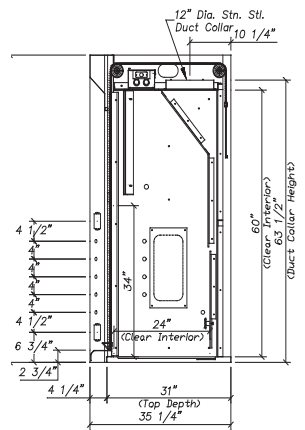
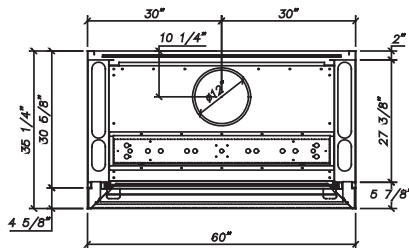
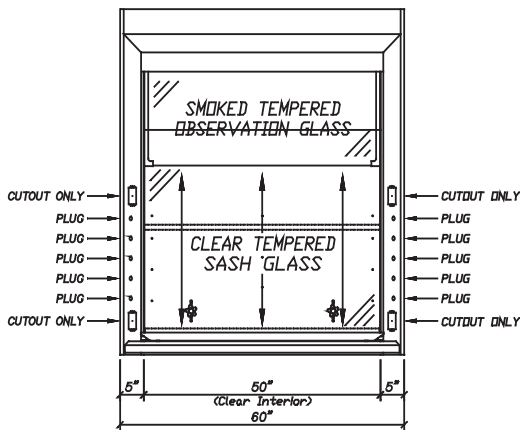
F-600-36 – 36" OS Height Bench Hood



F-600-48 – 48" OS Height Bench Hood

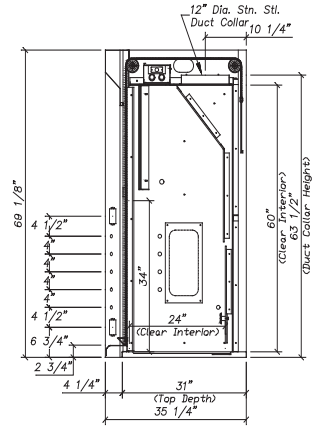
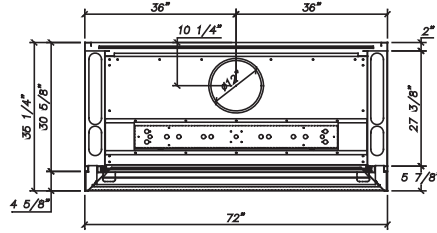
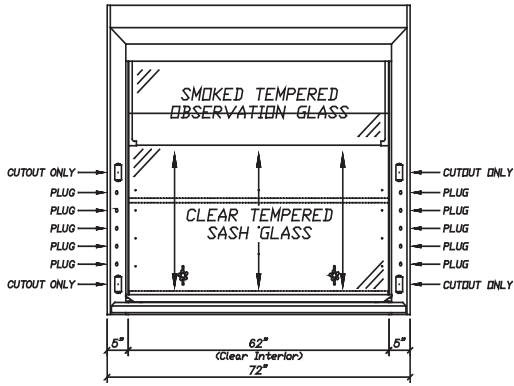


F-600-60 – 60" OS Height Bench Hood

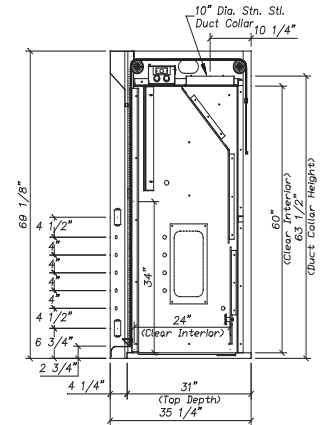
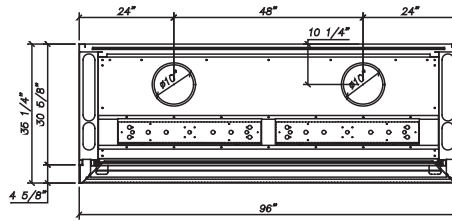
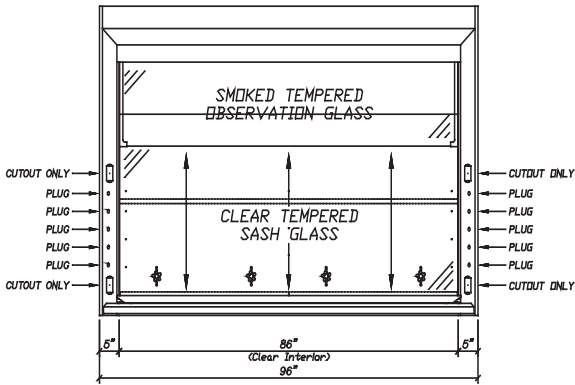


F-600 Series – OS Height Bench Hoods – Product Dimensions

F-600-72 – 72" OS Height Bench Hood



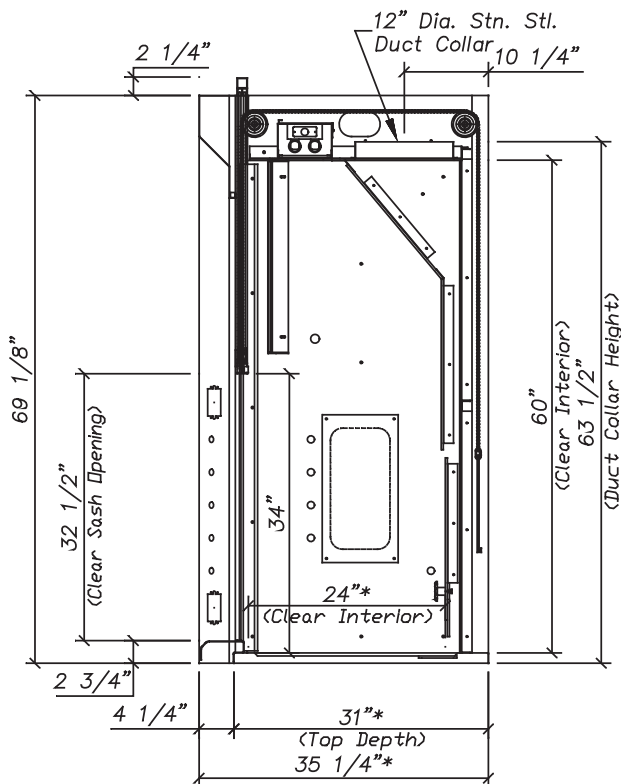
F-600-96 – 96" OS Height Bench Hood



F-601 OS Height Bench Hood – Combination Sash

The ISOLATOR OS height bench hood with a combination sash shares all the capabilities of our F-100 series bench hood. It offers an interior height of 60", as opposed to the standard bench interior height of 48", to accommodate taller apparatus. The ISOLATOR's design and construction enhances its value by providing:

- Unparalleled user safety
- Years of maintenance free service
- Unmatched ease of use
- Substantial energy savings via the sash configuration
- Unique design qualities for unlimited customization possibilities
- Field conversion between Constant Air Volume (CAV) and Variable Air Volume (VAV)
- Hoods available in "Knock Down" (KD) mode for transport and assembly in restricted areas



* NOTE: D30 HOOD DIMENSIONS: 30" (CLEAR INTERIOR)
37" (TOP DEPTH) / 41 1/4" (D.A. DEPTH)

F-601 OS Height Bench Hood Features

- Unsurpassed containment (designed and tested to exceed ASHRAE 110-1995)
- Unique chain driven sash mechanism that comes with a lifetime warranty
- Galvanized steel pan superstructure
- Transparent viewpass bypass system
- Stainless steel air foil
- Offers the best features of both the vertical and horizontal sashes thus allowing flexible interior access while minimizing the sash opening for energy savings
- Vertical sashes provide the greatest hood interior access
- Full view frameless sash with 32 1/2" opening
- Quality engineering ensures years of reliable service

F-600 Series – OS Height Bench Hoods – Ordering Information

F-601 OS Height Bench Air Flow Data

Catalog Number	Duct Diameter	34" Vertical Open @ 100 FPM	18" Vertical Open @ 100 FPM	%50 Horizontal Open @ 100 FPM
F-601-48	1 : 12"	897 CFM @ .43 "SP	475 CFM @ .12 "SP	486 CFM @ .13 "SP
F-601-60	1 : 12"	1181 CFM @ .40 "SP	625 CFM @ .11 "SP	643 CFM @ .12 "SP
F-601-72	1 : 12"	1464 CFM @ .62 "SP	775 CFM @ .17 "SP	811 CFM @ .19 "SP
F-601-96	2 : 10"	2031 CFM @ .55 "SP	1075 CFM @ .15 "SP	1135 CFM @ .17 "SP

*50% Open may be achieved two ways:

1. Vertical sash open 17"; horizontal panels closed
2. Vertical sash closed; horizontal panels full open

F-601 OS Height Bench Product Numbers

F-601-48	OS Bench 48"	Combo	
F-601-48D30	OS Bench 48"	Combo	30" Deep
F-601-60	OS Bench 60"	Combo	
F-601-60D30	OS Bench 60"	Combo	30" Deep
F-601-72	OS Bench 72"	Combo	
F-601-72D30	OS Bench 72"	Combo	30" Deep
F-601-96	OS Bench 96"	Combo	
F-601-96D30	OS Bench 96"	Combo	30" Deep

F-601 OS Height Bench Liner Options

White Polyglass is standard. Please see the Hood Liners section for available options.

F-601 OS Height Bench Electrical Options

Fascia is pre-punched with two electrical cutouts (four cutouts total). Please see the Electrical Fixtures section for available options.

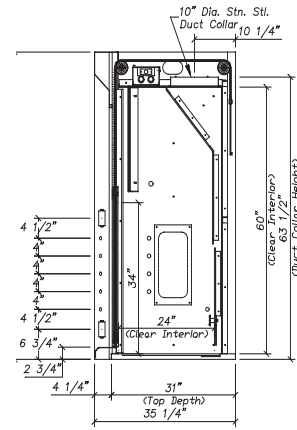
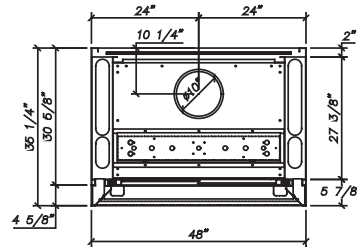
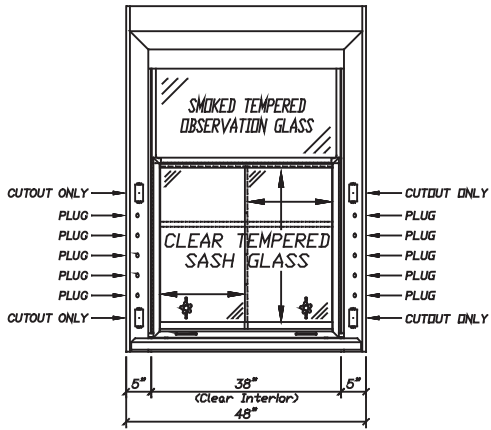
F-601 OS Height Bench Plumbing Fixtures

Fascia is pre-punched with five 3/4" dia. holes to accept rod driven remote fixtures (ten holes total). Please see the Plumbing Fixtures section for available options.

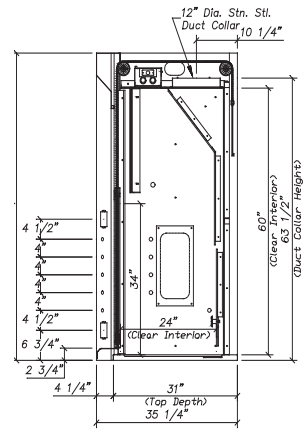
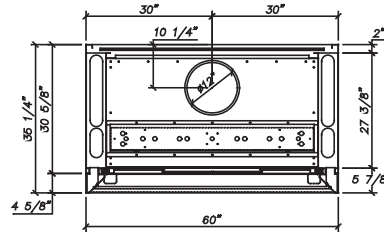
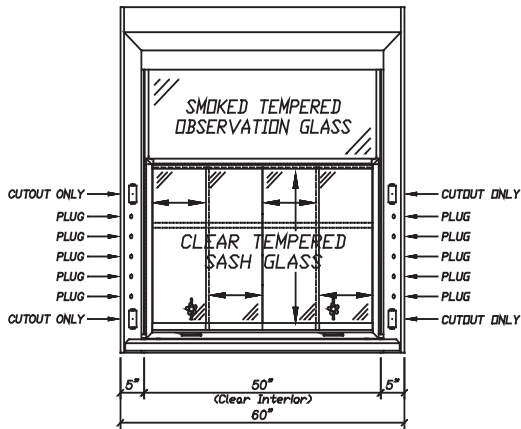
F-601 OS Height Bench Fume Hood Accessories

Please see the Fume Hood Accessories section for available options.

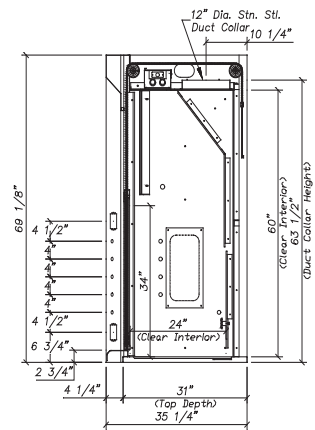
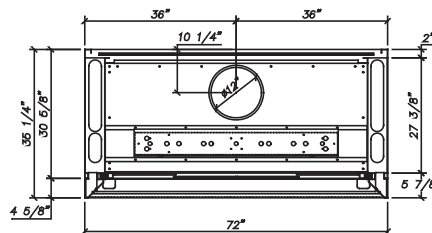
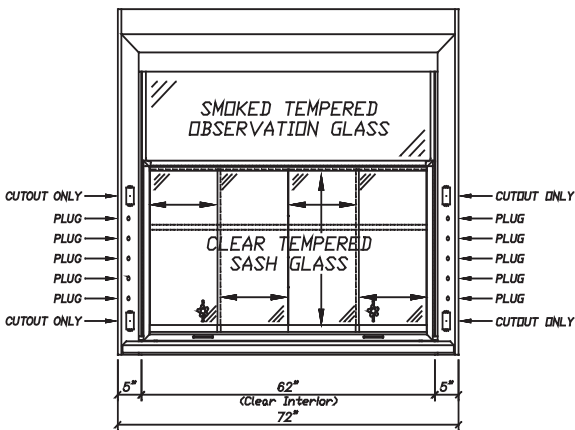
F-601-48 – 48" OS Height Bench Hood



F-601-60 – 60" OS Height Bench Hood

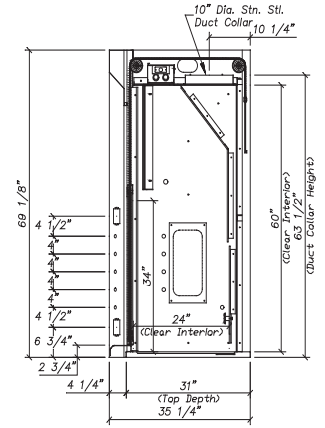
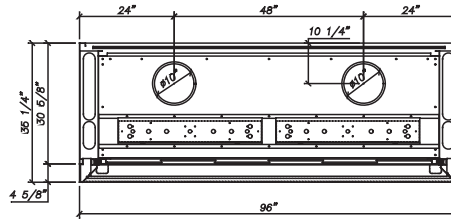
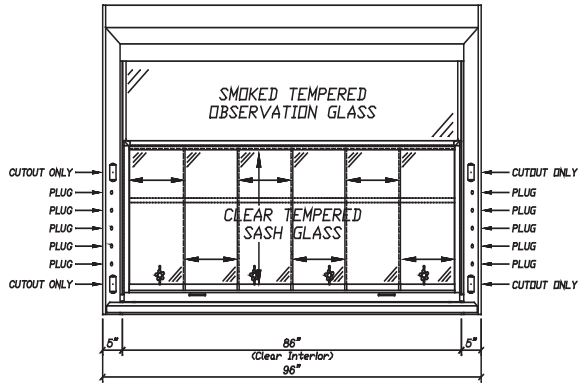


F-601-72 – 72" OS Height Bench Hood



F-600 Series – OS Height Bench Hoods – Product Dimensions

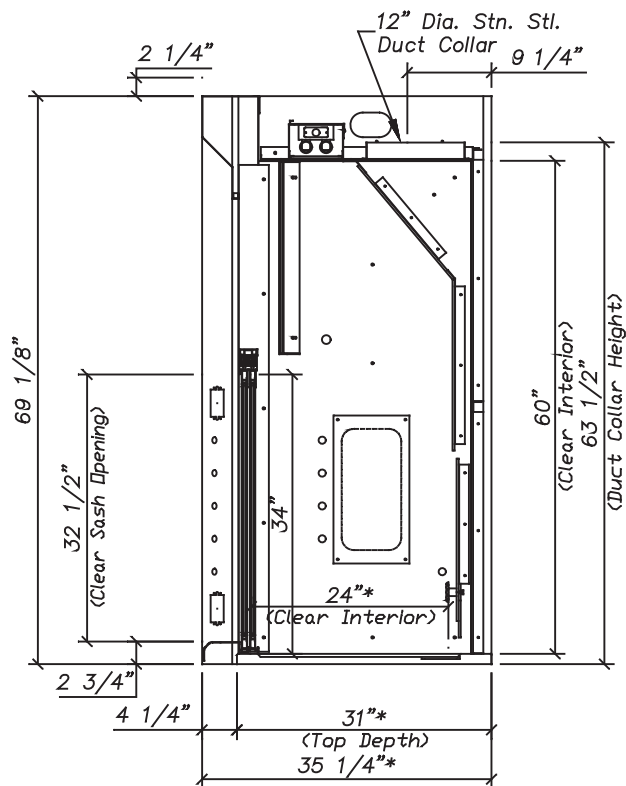
F-601-96 – 96" OS Height Bench Hood



F-602 OS Height Bench Hood – Horizontal Sash

The ISOLATOR OS height bench hood with the frameless horizontal sash shares all the capabilities of our F-100 series bench hood. It offers an interior height of 60", as opposed to the standard bench interior height of 48", to accommodate taller apparatus. The ISOLATOR's design and construction enhances its value by providing:

- Unparalleled user safety
- Full hood access for easy set ups
- Years of maintenance free service
- Unmatched ease of use
- Substantial energy savings via the sash configuration
- Unique design qualities for unlimited customization possibilities
- Field conversion between Constant Air Volume (CAV) and Variable Air Volume (VAV)
- Hoods available in "Knock Down" (KD) mode for transport and assembly in restricted areas



* NOTE: D30 HOOD DIMENSIONS: 30" (CLEAR INTERIOR)
37" (TOP DEPTH) / 41 1/4" (O.A. DEPTH)

F-602 OS Height Bench Hood Features

- Unsurpassed containment (designed and tested to exceed ASHRAE 110-1995)
- Galvanized steel pan superstructure
- Transparent viewpass bypass system
- Stainless steel air foil
- Maximum sash opening is 50% of a vertical sash which results in energy savings based on reduced exhaust CFM
- Vertical sashes provide the greatest hood interior access
- Full view stainless steel horizontal sash
- Quality engineering ensures years of reliable service

F-600 Series – OS Height Bench Hoods – Ordering Information

F-602 OS Height Bench Air Flow Data

Catalog Number	Duct Diameter	34" Vertical Open @ 100 FPM	50% Open @ 100 FPM
F-602-48	1 : 12"	NA	523 CFM @ .14 "SP
F-602-60	1 : 12"	NA	671 CFM @ .13 "SP
F-602-72	1 : 12"	NA	838 CFM @ .20 "SP
F-602-96	2 : 12"	NA	1154 CFM @ .18 "SP

F-602 OS Height Bench Product Numbers

F-602-48	OS Bench 48"	Horizontal (2 trk)	
F-602-48D30	OS Bench 48"	Horizontal (2 trk)	30" Deep
F-602-60	OS Bench 60"	Horizontal (2 trk)	
F-602-60D30	OS Bench 60"	Horizontal (2 trk)	30" Deep
F-602-72	OS Bench 72"	Horizontal (2 trk)	
F-602-72D30	OS Bench 72"	Horizontal (2 trk)	30" Deep
F-602-96	OS Bench 96"	Horizontal (2 trk)	
F-602-96D30	OS Bench 96"	Horizontal (2 trk)	30" Deep

F-602 OS Height Bench Liner Options

White Polyglass is standard. Please see the Hood Liners section for available options.

F-602 OS Height Bench Electrical Options

Fascia is pre-punched with two electrical cutouts (four cutouts total). Please see the Electrical Fixtures section for available options.

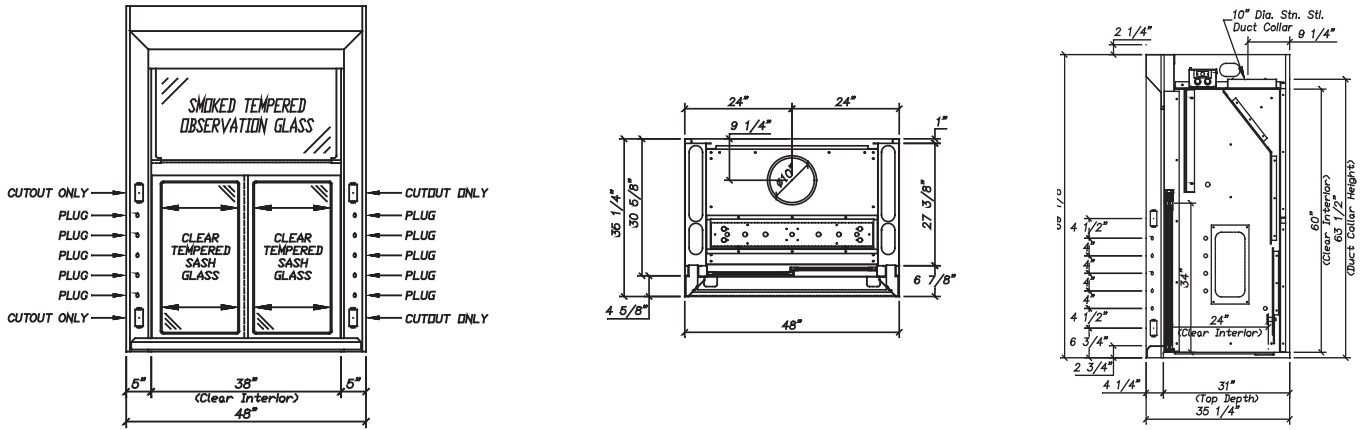
F-602 OS Height Bench Plumbing Fixtures

Fascia is pre-punched with five 3/4" dia. holes to accept rod driven remote fixtures (ten holes total). Please see the Plumbing Fixtures section for available options.

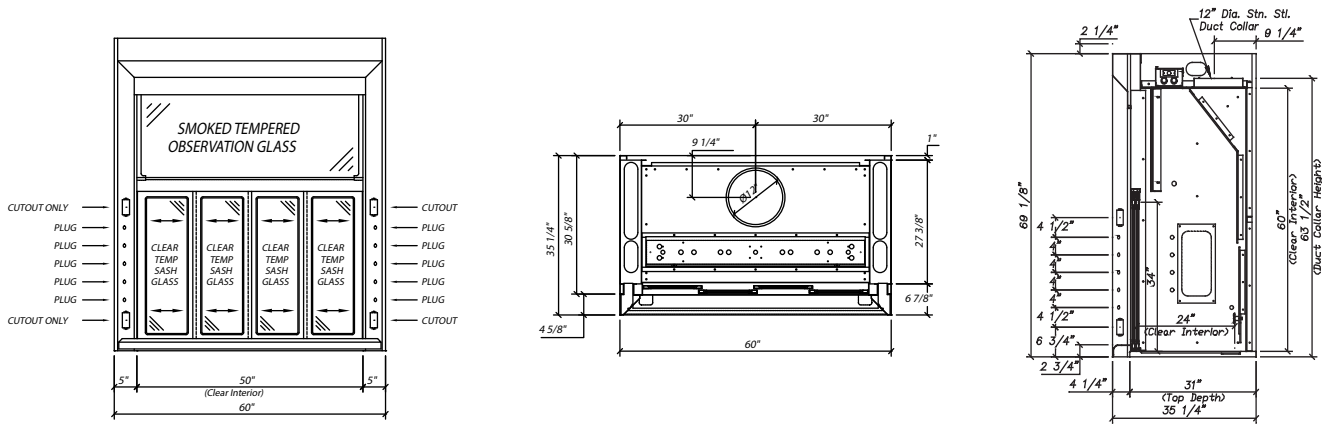
F-602 OS Height Bench Fume Hood Accessories

Please see the Fume Hood Accessories section for available options.

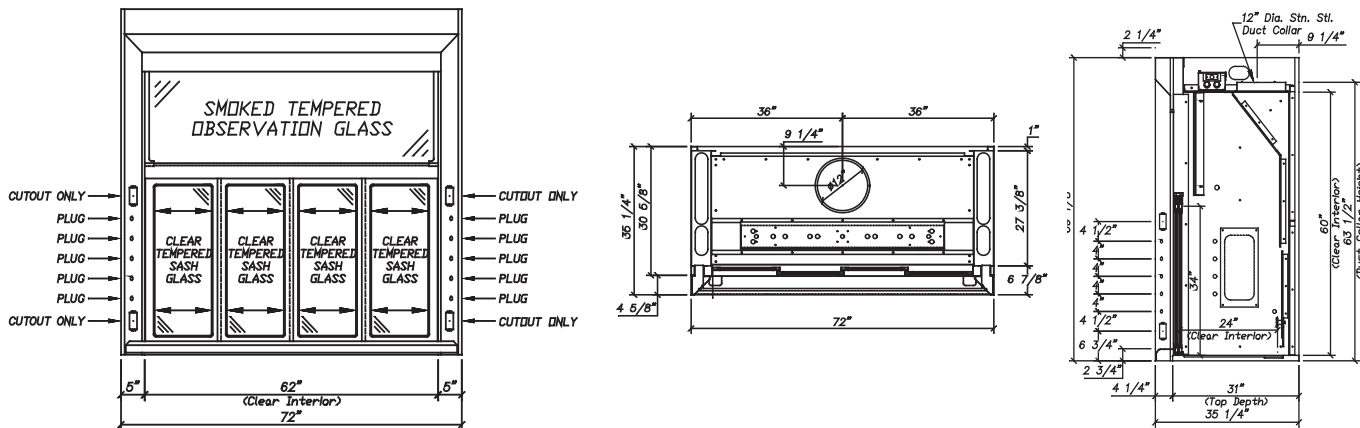
F-602-48 – 48" OS Height Bench Hood



F-602-60 – 60" OS Height Bench Hood

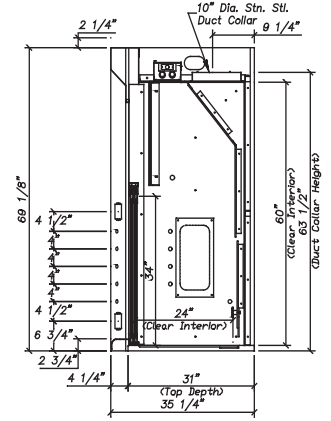
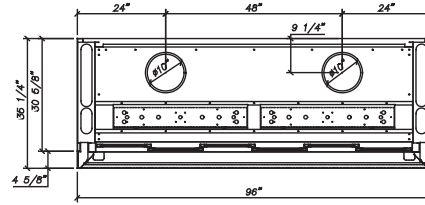
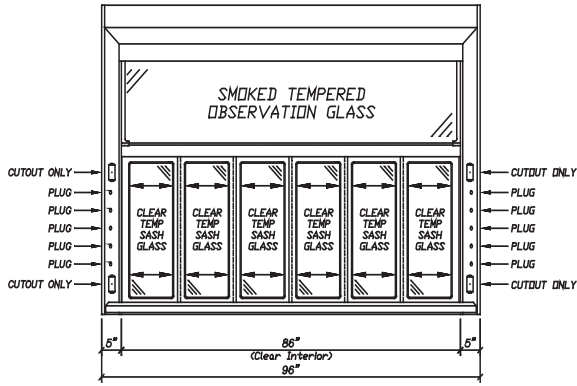


F-602-72 – 72" OS Height Bench Hood



F-600 Series – OS Height Bench Hoods – Product Dimensions

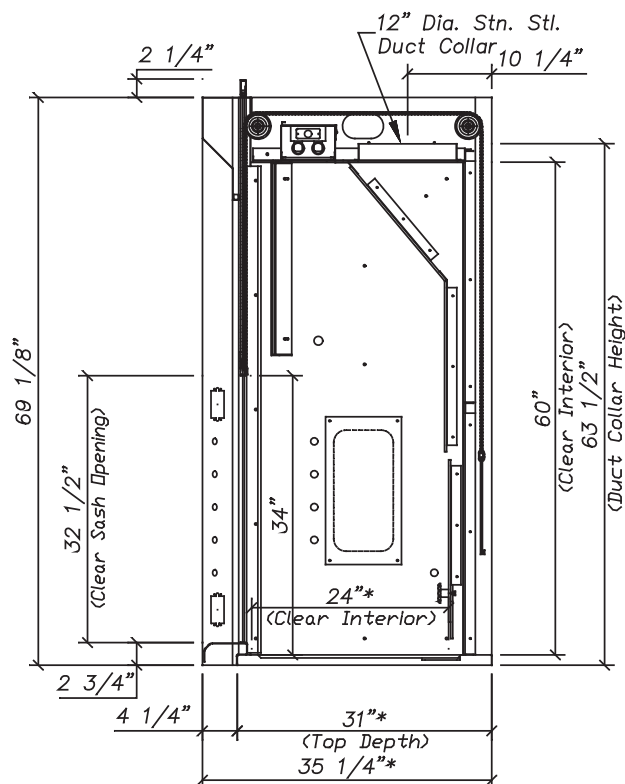
F-602-96 – 96" OS Height Bench Hood



F-603 OS Height Bench Hood – Framed Vertical Sash

The ISOLATOR OS height bench hood with the frameless vertical sash shares all the capabilities of our F-100 series bench hood. It offers an interior height of 60", as opposed to the standard bench interior height of 48", to accommodate taller apparatus. The ISOLATOR's design and construction enhances its value by providing:

- Unparalleled user safety
- Full hood access for easy set ups
- Years of maintenance free service
- Unmatched ease of use
- Unique design qualities for unlimited customization possibilities
- Field conversion between Constant Air Volume (CAV) and Variable Air Volume (VAV)
- Hoods available in "Knock Down" (KD) mode for transport and assembly in restricted areas



* NOTE: D30 HOOD DIMENSIONS: 30" (CLEAR INTERIOR)
37" (TOP DEPTH) / 41 1/4" (D.A. DEPTH)

F-603 OS Height Bench Hood Features

- Unsurpassed containment (designed and tested to exceed ASHRAE 110-1995)
- Unique chain driven sash mechanism that comes with a lifetime warranty
- Galvanized steel pan superstructure
- Transparent viewpass bypass system
- Stainless steel air foil
- Vertical sashes provide the greatest hood interior access
- Full view stainless steel framed sash with 32 1/2" opening
- Quality engineering ensures years of reliable service

F-600 Series – OS Height Bench Hoods – Ordering Information

F-603 OS Height Bench Air Flow Data

Catalog Number	Duct Diameter	34" Open @ 100 FPM	18" Open @ 100 FPM
F-603-36	1 : 10"	614 CFM @ .20 "SP	325 CFM @ .06 "SP
F-603-48	1 : 12"	897 CFM @ .43 "SP	475 CFM @ .12 "SP
F-603-60	1 : 12"	1181 CFM @ .40 "SP	625 CFM @ .11 "SP
F-603-72	1 : 12"	1464 CFM @ .62 "SP	775 CFM @ .17 "SP
F-603-96	2 : 12"	2031 CFM @ .55 "SP	1075 CFM @ .15 "SP

F-603 OS Height Bench Product Numbers

F-603-36	OS Bench 36"	Framed	
F-603-36D30	OS Bench 36"	Framed	30" Deep
F-603-48	OS Bench 48"	Framed	
F-603-48D30	OS Bench 48"	Framed	30" Deep
F-603-60	OS Bench 60"	Framed	
F-603-60D30	OS Bench 60"	Framed	30" Deep
F-603-72	OS Bench 72"	Framed	
F-603-72D30	OS Bench 72"	Framed	30" Deep
F-603-96	OS Bench 96"	Framed	
F-603-96D30	OS Bench 96"	Framed	30" Deep

F-603 OS Height Bench Liner Options

White Polyglass is standard. Please see the Hood Liners section for available options.

F-603 OS Height Bench Electrical Options

Fascia is pre-punched with two electrical cutouts (four cutouts total). Please see the Electrical Fixtures section for available options.

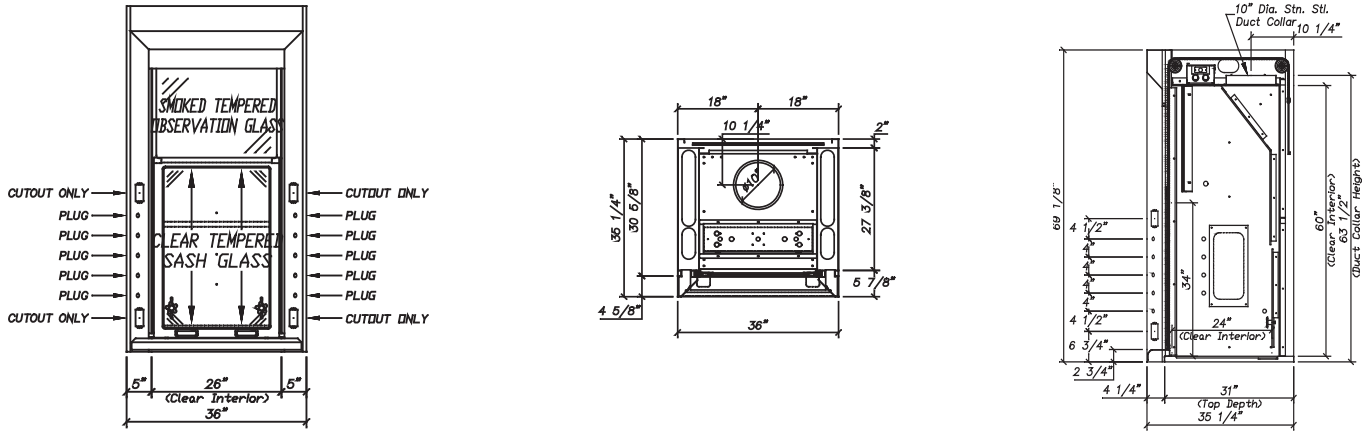
F-603 OS Height Bench Plumbing Fixtures

Fascia is pre-punched with five 3/4" dia. holes to accept rod driven remote fixtures (ten holes total). Please see the Plumbing Fixtures section for available options.

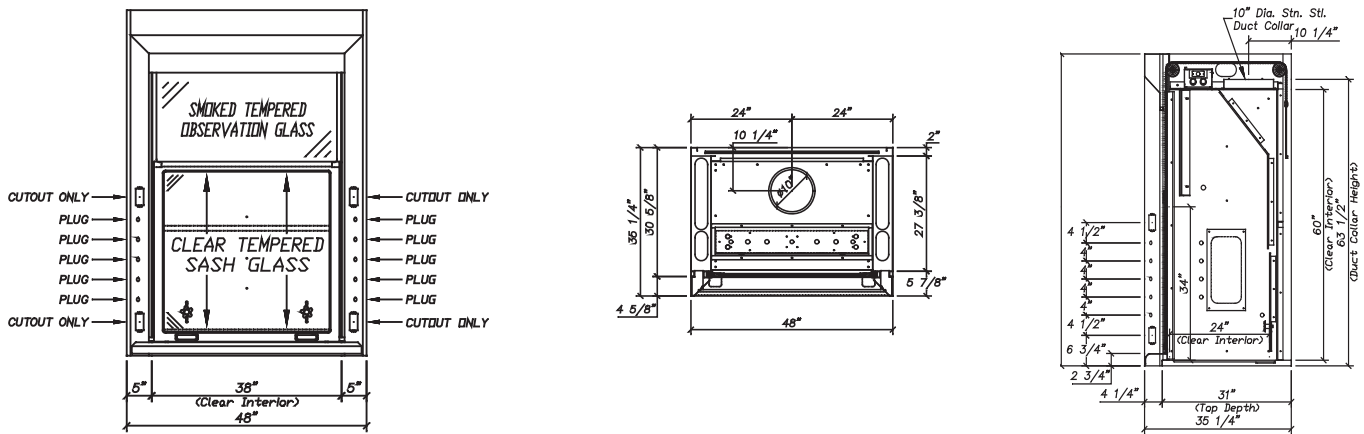
F-603 OS Height Bench Fume Hood Accessories

Please see the Fume Hood Accessories section for available options.

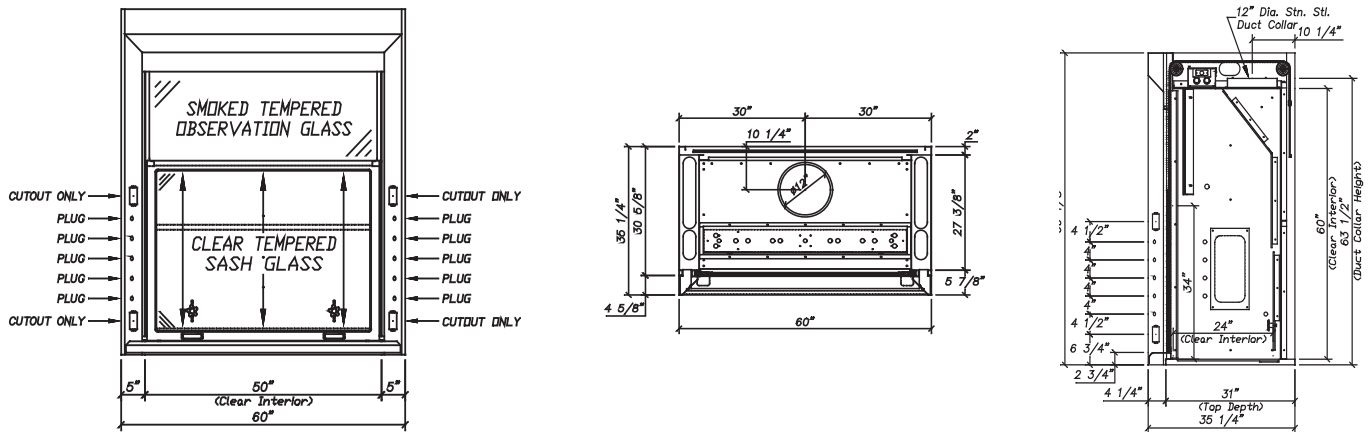
F-603-36 – 36" OS Height Bench Hood



F-603-48 – 48" OS Height Bench Hood

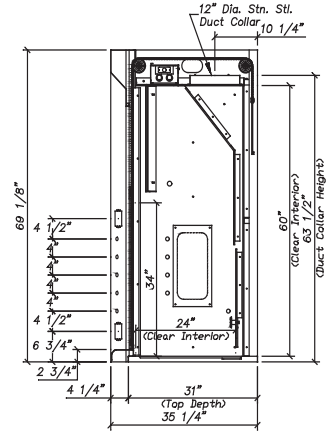
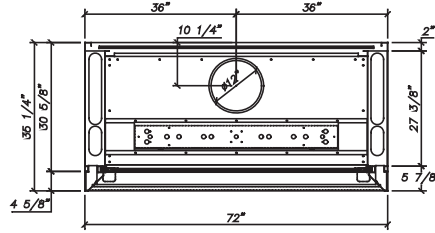
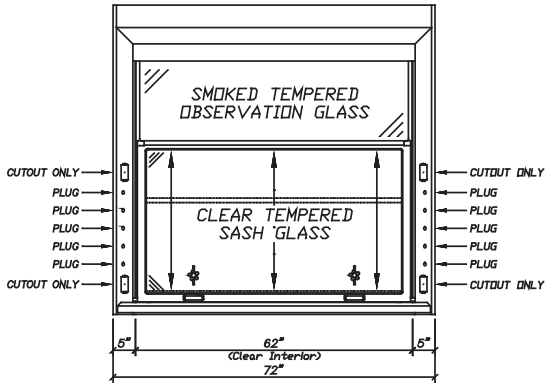


F-603-60 – 60" OS Height Bench Hood

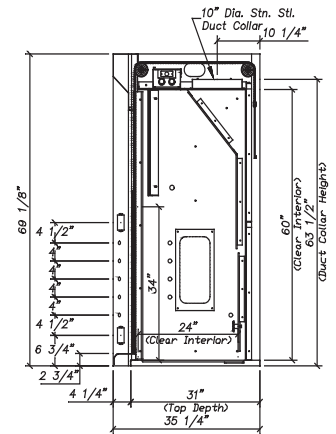
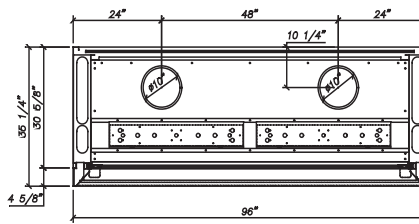
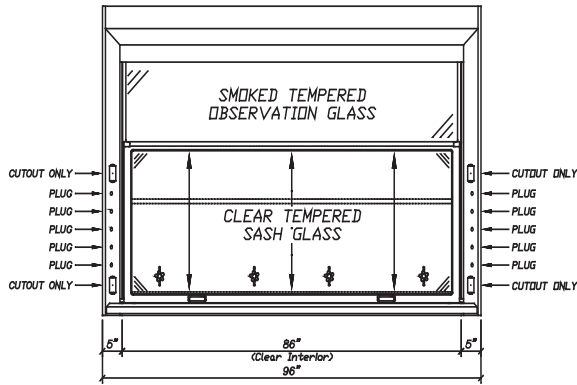


F-600 Series – OS Height Bench Hoods – Product Dimensions

F-603-72 – 72" OS Height Bench Hood



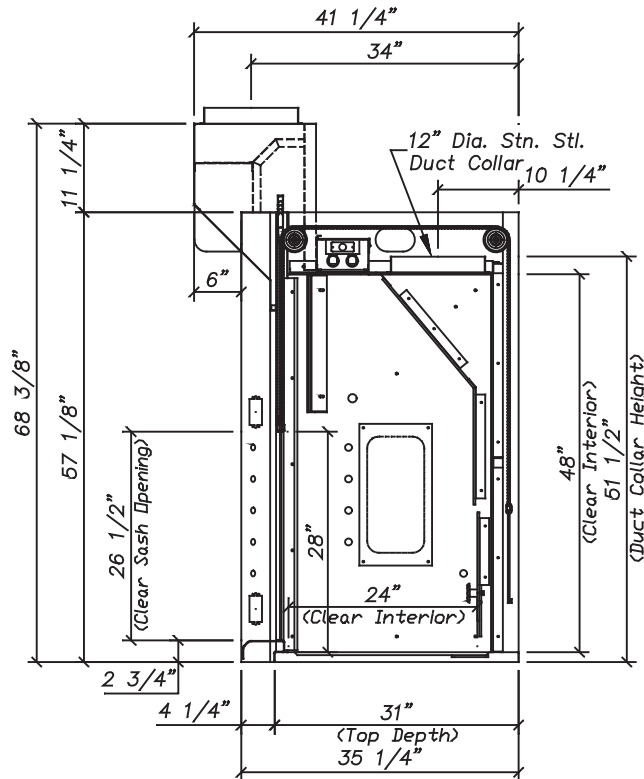
F-603-96 – 96" OS Height Bench Hood



F-703 Add Air (Auxiliary Air) Bench Hood

The ISOLATOR OS height bench hood with the frameless vertical sash shares all the capabilities of our F-100 series bench hood. It offers an interior height of 60", as opposed to the standard bench interior height of 48", to accommodate taller apparatus. The ISOLATOR's design and construction enhances its value by providing:

- Unparalleled user safety
- Full hood access for easy set ups
- Years of maintenance free service
- Unmatched ease of use
- Unique design qualities for unlimited customization possibilities
- Field conversion between Constant Air Volume (CAV) and Variable Air Volume (VAV)
- Hoods available in "Knock Down" (KD) mode for transport and assembly in restricted areas



F-703 Add Air Bench Hood Features

- Unsurpassed containment (designed and tested to exceed ASHRAE 110-1995)
- Unique chain driven sash mechanism that comes with a lifetime warranty
- Galvanized steel pan superstructure
- Transparent viewpass bypass system
- Stainless steel air foil
- Vertical sashes provide the greatest hood interior access
- Louvered stainless steel framed sash with 26 1/2" opening
- Quality engineering ensures years of reliable service

F-700 Series – Auxiliary Air Bench Hoods – Ordering Information

F-703 Add Air Bench Hood Air Flow Data

Catalog Number	Duct Diameter	28" Open @ 100 FPM	18" Open @ 100 FPM
F-703-36	1 : 10"	506 CFM @ .14 "SP	325 CFM @ .06 "SP
F-703-48	1 : 10"	739 CFM @ .29 "SP	475 CFM @ .12 "SP
F-703-60	1 : 12"	972 CFM @ .27 "SP	625 CFM @ .11 "SP
F-703-72	1 : 12"	1206 CFM @ .42 "SP	775 CFM @ .17 "SP
F-703-96	2 : 10"	1672 CFM @ .37 "SP	1075 CFM @ .15 "SP

F-703 Add Air Bench Hood Product Numbers

F-703-36	Add Air Bench 36"	Louvered	Framed
F-703-48	Add Air Bench 48"	Louvered	Framed
F-703-60	Add Air Bench 60"	Louvered	Framed
F-703-72	Add Air Bench 72"	Louvered	Framed
F-703-96	Add Air Bench 96"	Louvered	Framed

F-703 Add Air Bench Hood Liner Options

White Polyglass is standard. Please see the section for available options.

F-703 Add Air Bench Hood Electrical Options

Fascia is pre-punched with two electrical cutouts (four cutouts total). Please see the section for available options.

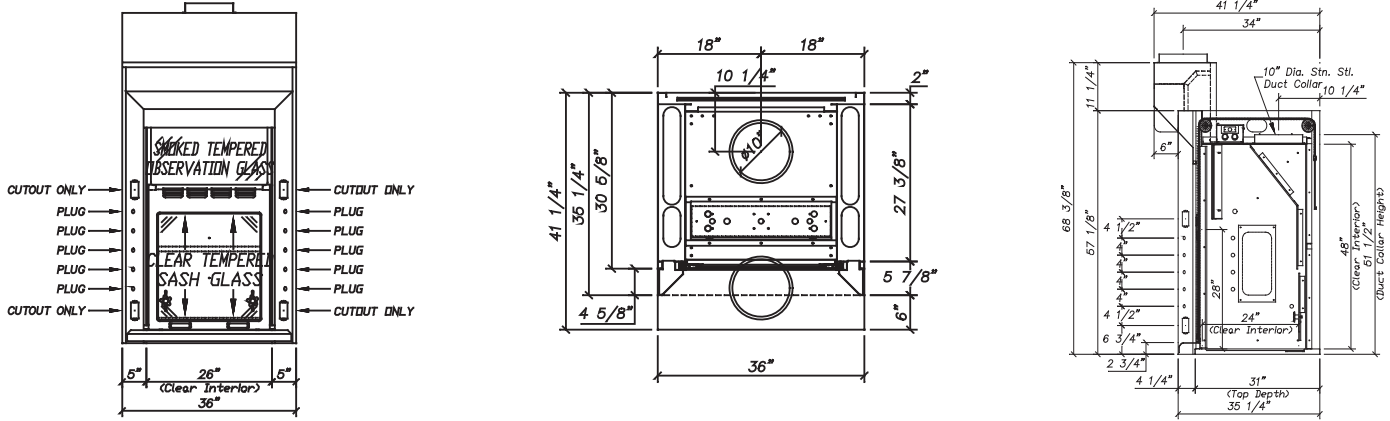
F-703 Add Air Bench Hood Plumbing Fixtures

Fascia is pre-punched with five 3/4" dia. holes to accept rod driven remote fixtures (ten holes total). Please see the section for available options.

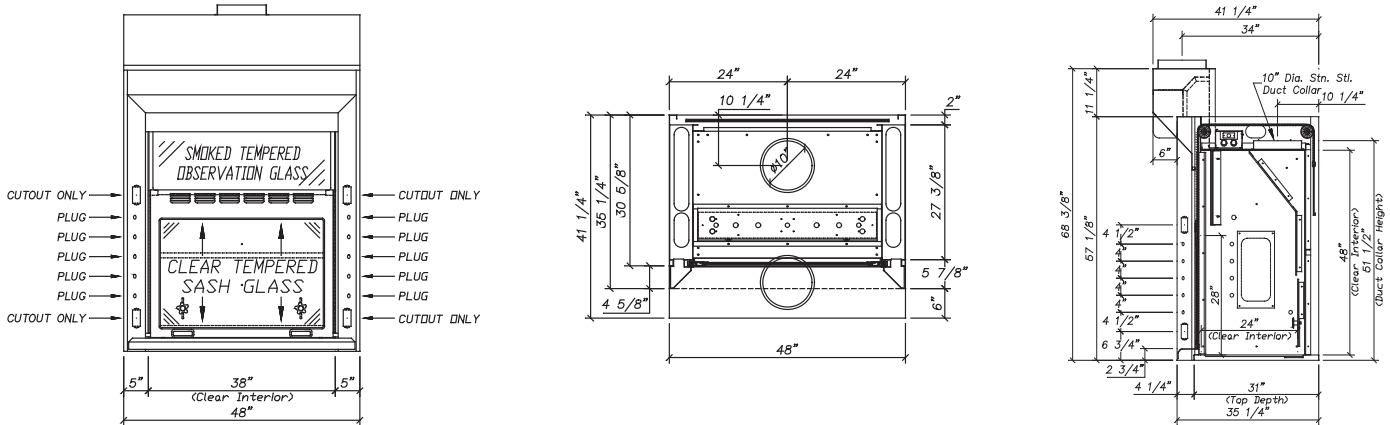
F-703 Add Air Bench Hood Fume Hood Accessories

Please see the section for available options.

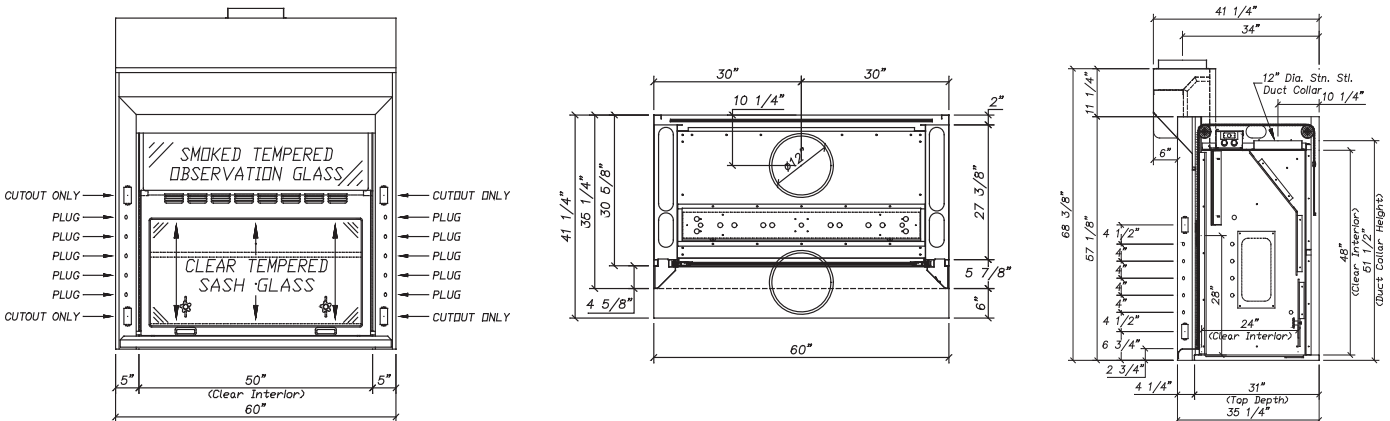
F-703-36 – 36" Add Air Bench Hood



F-703-48 – 48" Add Air Bench Hood

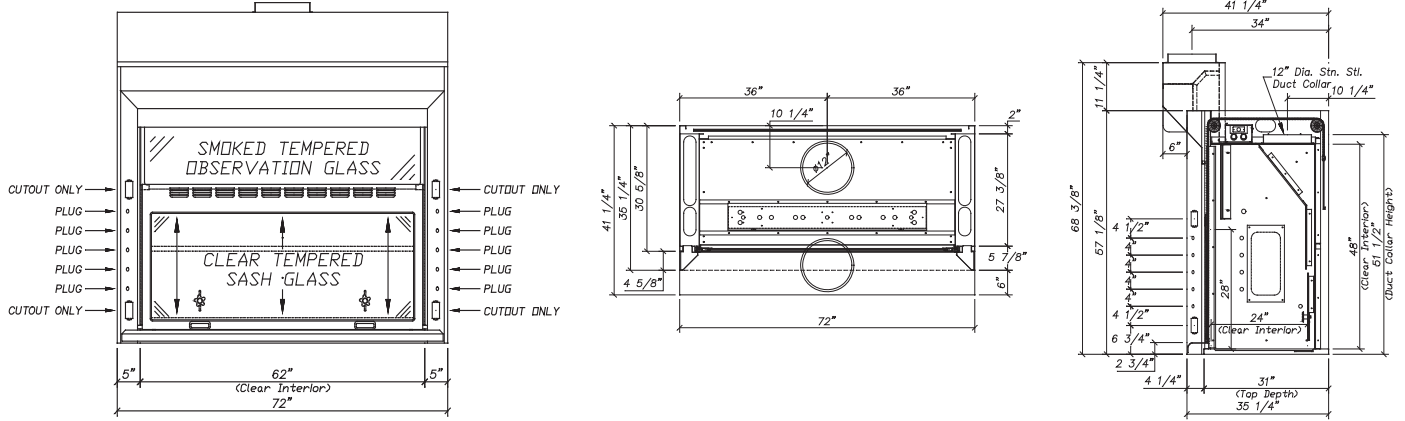


F-703-60 – 60" Add Air Bench Hood

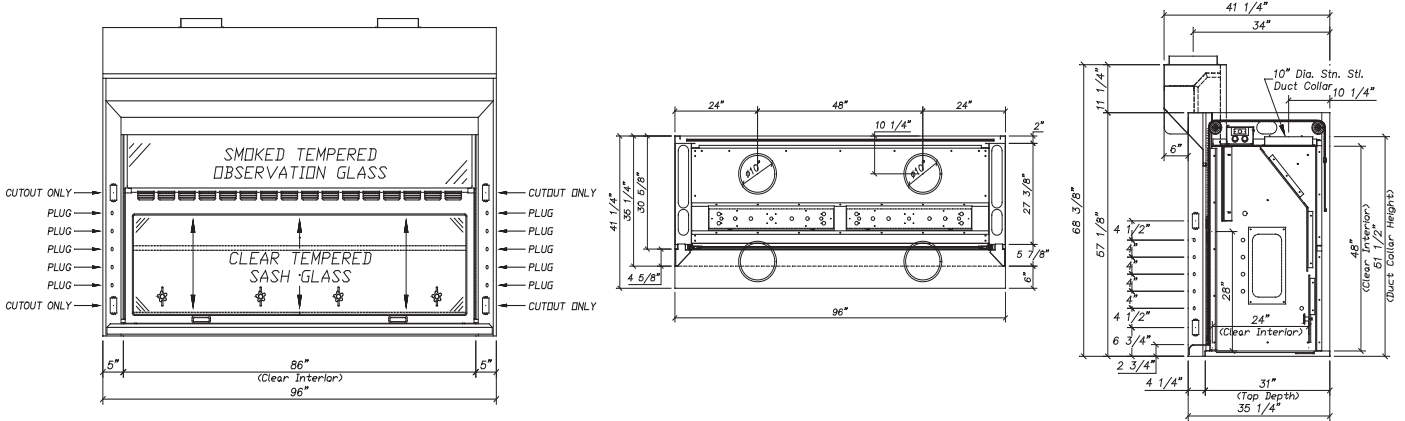


F-700 Series – Auxiliary Air Bench Hoods – Product Dimensions

F-703-72 – 72" Add Air Bench Hood



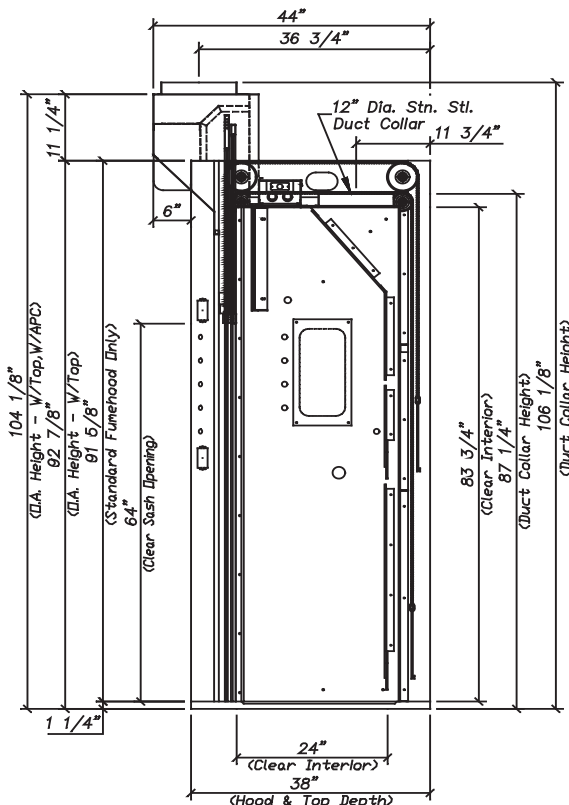
F-703-96 – 96" Add Air Bench Hood



F-803 Add Air (Auxiliary Air) Walk-In Hood

The ISOLATOR Add Air Walk-In Hood shares all the capabilities of our standard walk-in hood. This fume hood supplies up to 70% of its own exhaust air from the frontmost supply air plenum. It is ideal for situations where the air flow environment is limited. The ISOLATOR's design and construction enhances its value by providing:

- Unparalleled user safety
- Full hood access for easy set ups
- Years of maintenance free service
- Unmatched ease of use
- Unique design qualities for unlimited customization possibilities
- Field conversion between Constant Air Volume (CAV) and Variable Air Volume (VAV)
- Hoods available in "Knock Down" (KD) mode for transport and assembly in restricted areas



F-803 Add Air Walk-In Hood Features

- Unsurpassed containment (designed and tested to exceed ASHRAE 110-1995)
- Unique chain driven sash mechanism that comes with a lifetime warranty
- Galvanized steel pan superstructure
- Transparent viewpass bypass system
- Stainless steel air foil
- Vertical sashes provide the greatest hood interior access
- Full view stainless steel framed sash with 64" opening
- Quality engineering ensures years of reliable service

F-800 Series – Auxiliary Air Walk-In Hoods – Ordering Information

F-803 Add Air Walk-In Hood Air Flow Data

Catalog Number	Duct Diameter	28" Exhaust Open @ 100 FPM	18" Supply Open @ 100 FPM
F-803-48	1 : 10"	765 CFM @ .31 "SP	501 CFM @ .13 "SP
F-803-60	1 : 12"	1007 CFM @ .29 "SP	660 CFM @ .13 "SP
F-803-72	1 : 12"	1249 CFM @ .45 "SP	818 CFM @ .19 "SP
F-803-96	2 : 10"	1732 CFM @ .40 "SP	1135 CFM @ .17 "SP

F-803 Add Air Walk-In Hood Product Numbers

F-803-48	Add Air Walk-In 48"	Louvered	Framed
F-803-60	Add Air Walk-In 60"	Louvered	Framed
F-803-72	Add Air Walk-In 72"	Louvered	Framed
F-803-96	Add Air Walk-In 96"	Louvered	Framed

F-803 Add Air Walk-In Hood Liner Options

White Polyglass is standard. Please see the Hood Liners section for available options.

F-803 Add Air Walk-In Hood Electrical Options

Fascia is pre-punched with two electrical cutouts (four cutouts total). Please see the Electrical Fixtures section for available options.

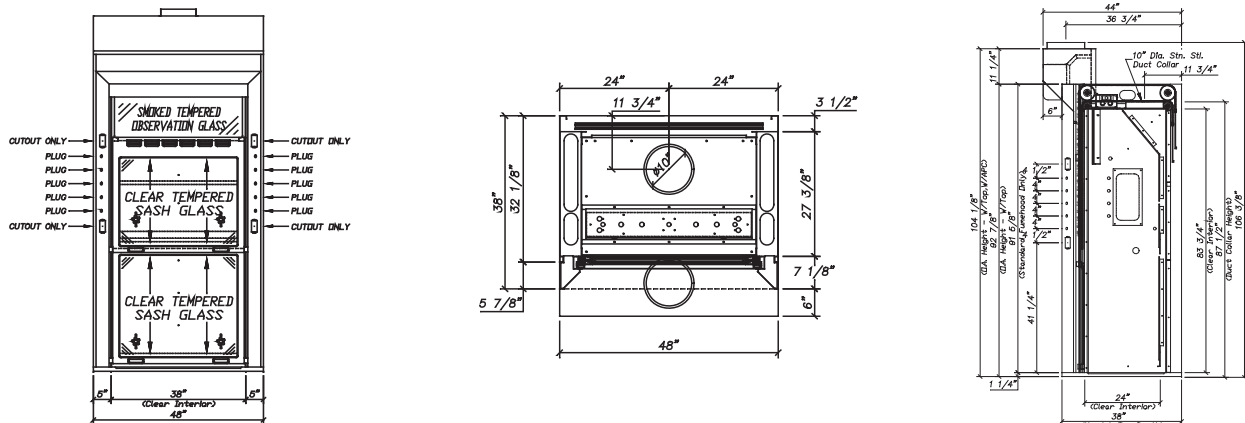
F-803 Add Air Walk-In Hood Plumbing Fixtures

Fascia is pre-punched with five 3/4" dia. holes to accept rod driven remote fixtures (ten holes total). Please see the Plumbing Fixtures section for available options.

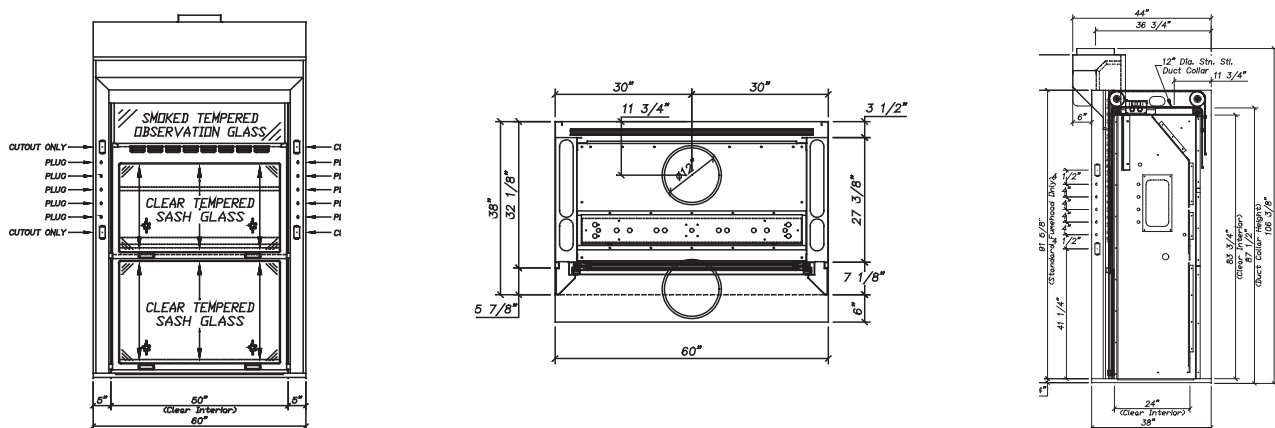
F-803 Add Air Walk-In Hood Fume Hood Accessories

Please see the Fume Hood Accessories section for available options.

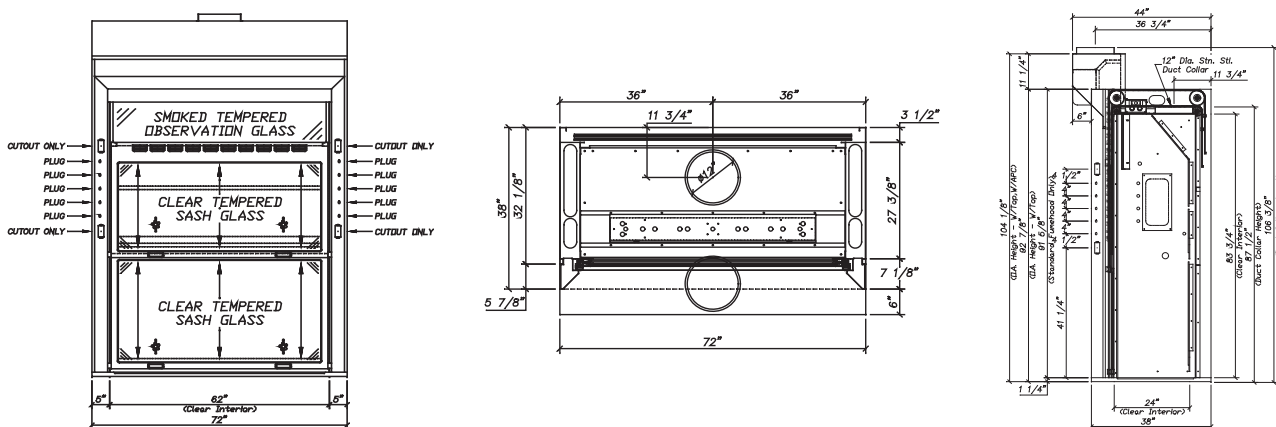
F-803-48 – 48" Add Air Walk-In Hood



F-803-60 – 60" Add Air Walk-In Hood



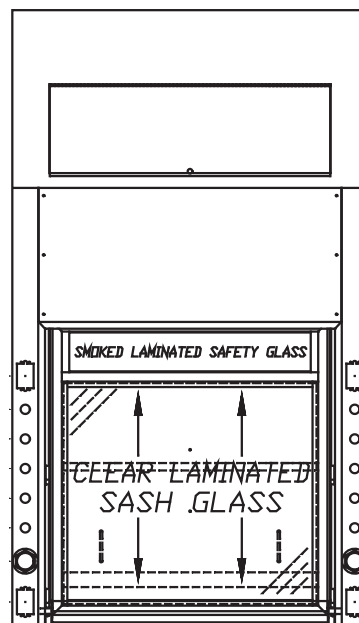
F-803-72 – 72" Add Air Walk-In Hood



F-900 HOPEC Bench Hood – Framed Vertical Sash

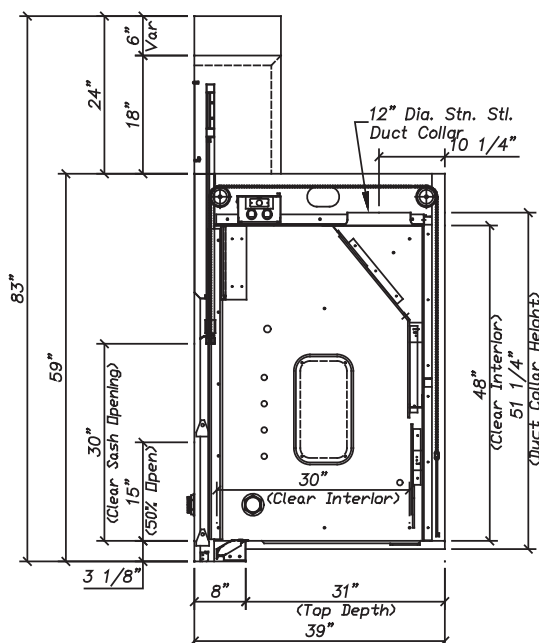
The ISOLATOR HOPEC (Hand Operated Positive Energy Control) bench fume hood is based on the design of Jerry Koenigsberg*. The ISOLATOR HOPEC bench fume hood addresses concerns such as ADA (Americans w/ Disabilities Act) and LCV (Low Constant Volume). Jamestown Metal Products engineers took Jerry's design and incorporated Jamestown's features to create the most advanced HOPEC bench fume hood on the market.

- Years of maintenance free service
- Defeatable sash stops set at 15" open limit CFM to half of that of a conventional full open fume hood
- Powder painted stainless steel lower trough catches spills that would otherwise run onto the floor or onto the lap of a person sitting in a wheelchair
- PVC baffle screen located between the back and baffle to stop papers and tissue from getting exhausted into the duct system
- No bypass, hood is designed to operate without the use of a VAV (Variable Air Volume) system
- Hoods available in "Knock Down" (KD) mode for transport and assembly in restricted areas



F-900 HOPEC Bench Hood Features

- Stainless steel framed vertical sash
- Defeatable sash stops set at closed and 15" open
- Powder painted stainless steel lower spill trough
- PVC gasketed access panels and PVC baffle screen located between the back and baffle
- Laminated safety glass
- 2" dia. cord pass through located inside double wall end panels
- Bell mouth duct collars
- Powder painted sash cap
- Extra 6" interior depth, 30" clear overall
- 30" clear sash opening for ease of setups
- Unsurpassed containment (designed and tested to exceed ASHRAE 110-1995)
- Unique chain driven sash mechanism that comes with a lifetime warranty
- Galvanized steel pan superstructure
- Quality engineering ensures years of reliable service



F-900 Series – HOPEC Bench Hoods – Ordering Information

F-900 HOPEC Bench Hood Air Flow Data

Catalog Number	Duct Diameter	30" Vertical Open @ 100 FPM	15" 50% Vertical Open @ 100 FPM
F-900-48	1 : 10"	792 CFM @ .33 "SP	396 CFM @ .08 "SP
F-900-60	1 : 12"	1042 CFM @ .31 "SP	521 CFM @ .08 "SP

F-900 HOPEC Bench Hood Product Numbers

F-900-48	HOPEC Bench 48"	Framed Sash
F-900-60	HOPEC Bench 60"	Framed Sash

F-900 HOPEC Bench Hood Liner Options

White Polyglass is standard. Please see the Hood Liners section for available options.

F-900 HOPEC Bench Hood Electrical Options

Fascia is pre-punched with two electrical cutouts (four cutouts total). Please see the Electrical Fixtures section for available options.

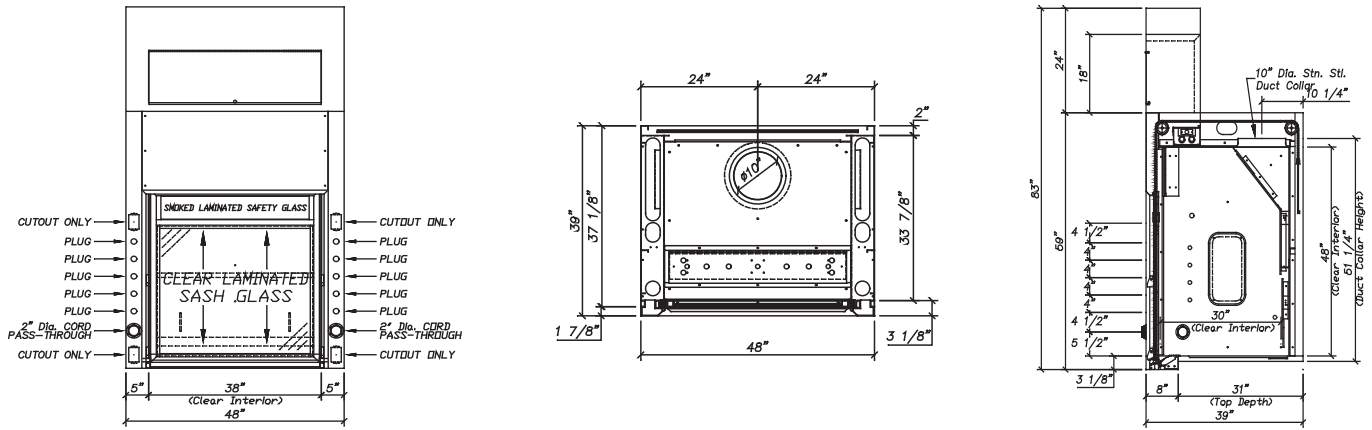
F-900 HOPEC Bench Hood Plumbing Fixtures

Fascia is pre-punched with five 3/4" dia. holes to accept rod driven remote fixtures (ten holes total). Please see the Plumbing Fixtures section for available options.

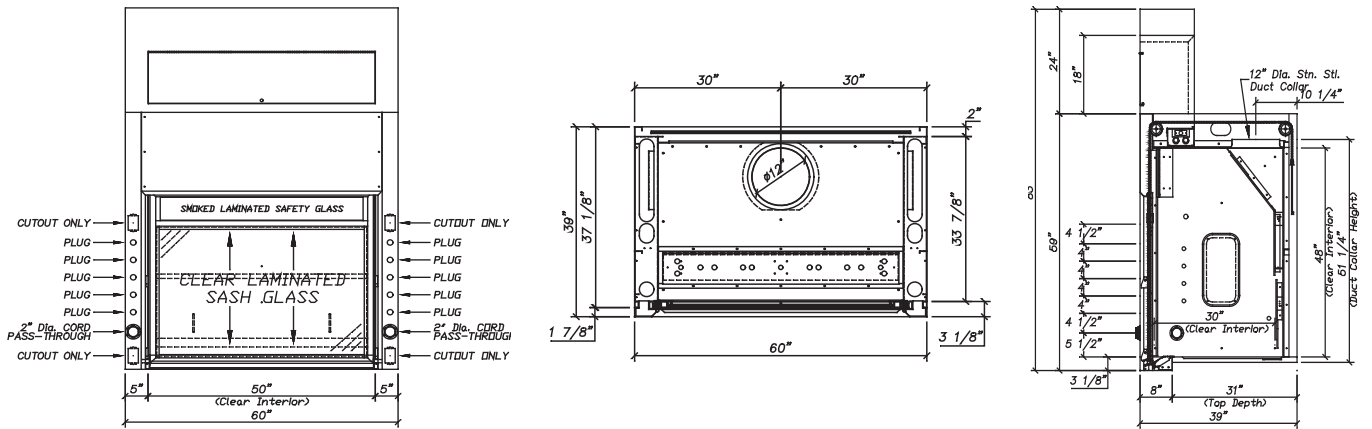
F-900 HOPEC Bench Hood Accessories

Please see the Fume Hood Accessories section for available options.

F-900-48 – 48" HOPEC Bench Hood



F-900-60 – 60" HOPEC Bench Hood



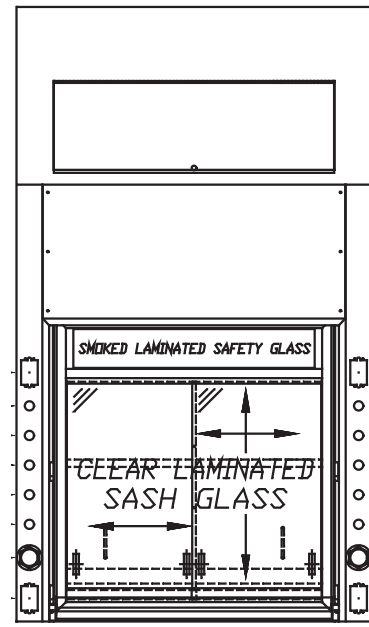
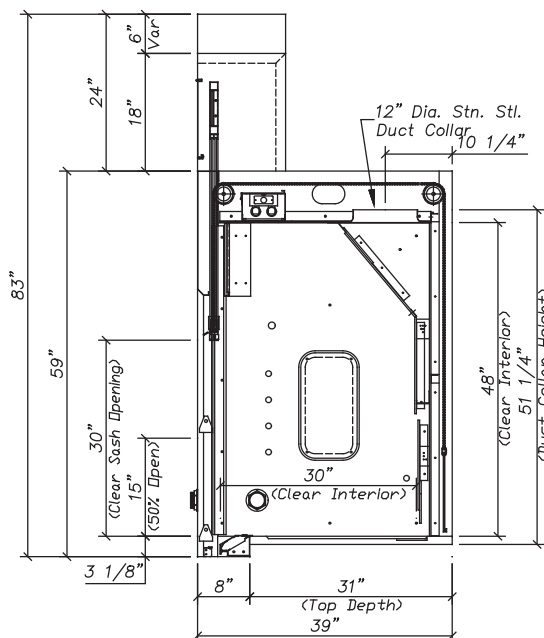


This page was intentionally left blank.

F-901 HOPEC Bench Hood – Framed Vertical Sash

The ISOLATOR HOPEC (Hand Operated Positive Energy Control) bench fume hood is based on the design of Jerry Koenigsberg*. The ISOLATOR HOPEC bench fume hood addresses concerns such as ADA (Americans w/ Disabilities Act) and LCV (Low Constant Volume). Jamestown Metal Products engineers took Jerry's design and incorporated Jamestown's features to create the most advanced HOPEC bench fume hood on the market.

- Years of maintenance free service
- Defeatable sash stops set at 15" open limit CFM to half of that of a conventional full open fume hood
- Powder painted stainless steel lower trough catches spills that would otherwise run onto the floor or onto the lap of a person sitting in a wheelchair
- PVC baffle screen located between the back and baffle to stop papers and tissue from getting exhausted into the duct system
- No bypass, hood is designed to operate without the use of a VAV (Variable Air Volume) system
- Hoods available in "Knock Down" (KD) mode for transport and assembly in restricted areas



F-901 HOPEC Bench Hood Features

- Stainless steel framed vertical sash
- Defeatable sash stops set at closed and 15" open
- Powder painted stainless steel lower spill trough
- PVC gasketed access panels and PVC baffle screen located between the back and baffle
- Laminated safety glass with ground finger pulls in horizontal panels
- 2" dia. cord pass through located inside double wall end panels
- Bell mouth duct collars
- Powder painted sash cap
- Extra 6" interior depth, 30" clear overall
- 30" clear sash opening for ease of setups
- Unsurpassed containment (designed and tested to exceed ASHRAE 110-1995)
- Unique chain driven sash mechanism that comes with a lifetime warranty
- Galvanized steel pan superstructure
- Quality engineering ensures years of reliable service

F-900 Series – HOPEC Bench Hoods – Ordering Information

F-901 HOPEC Bench Hood Air Flow Data

Catalog Number	Duct Diameter	30" Vertical Open @ 100 FPM	15" Vertical Open @ 100 FPM
F-901-48	1 : 10"	792 CFM @ .33 "SP	396 CFM @ .08 "SP
F-901-60	1 : 12"	1042 CFM @ .31 "SP	521 CFM @ .08 "SP
F-901-72	1 : 12"	1292 CFM @ .48 "SP	646 CFM @ .12 "SP
F-901-96	2 : 10"	1792 CFM @ .42 "SP	896 CFM @ .11 "SP

*50% Open may be achieved two ways:

1. Vertical sash open 15"; horizontal panels closed
2. Vertical sash closed; horizontal panels full open

F-901 HOPEC Bench Hood Product Numbers

F-901-48	HOPEC Bench 48"	Combination Sash
F-901-60	HOPEC Bench 60"	Combination Sash
F-901-72	HOPEC Bench 72"	Combination Sash
F-901-96	HOPEC Bench 96"	Combination Sash

F-901 HOPEC Bench Hood Liner Options

White Polyglass is standard. Please see the Hood Liners section for available options.

F-901 HOPEC Bench Hood Electrical Options

Fascia is pre-punched with two electrical cutouts (four cutouts total). Please see the Electrical Fixtures section for available options.

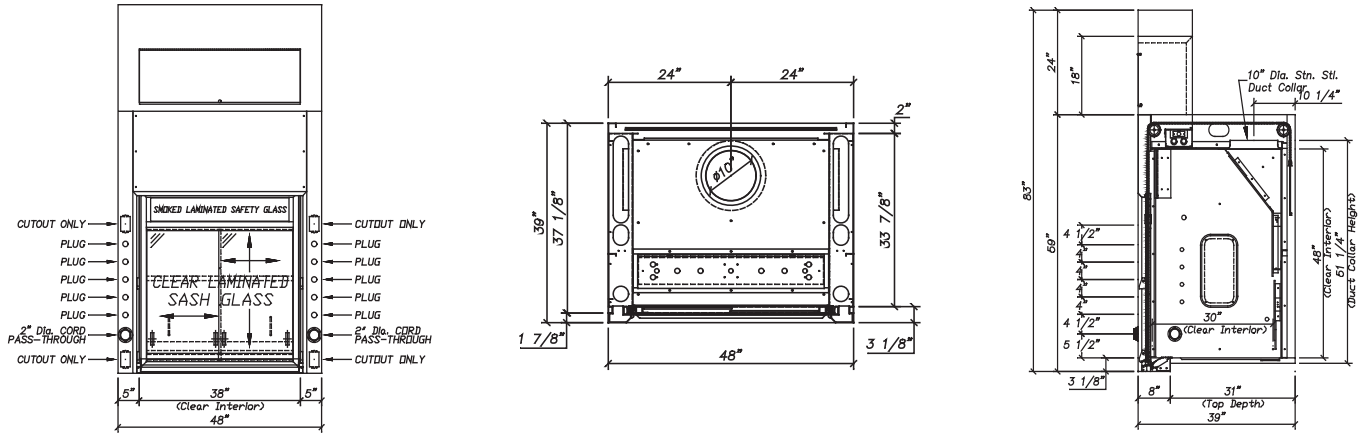
F-901 HOPEC Bench Hood Plumbing Fixtures

Fascia is pre-punched with five 3/4" dia. holes to accept rod driven remote fixtures (ten holes total). Please see the Plumbing Fixtures section for available options.

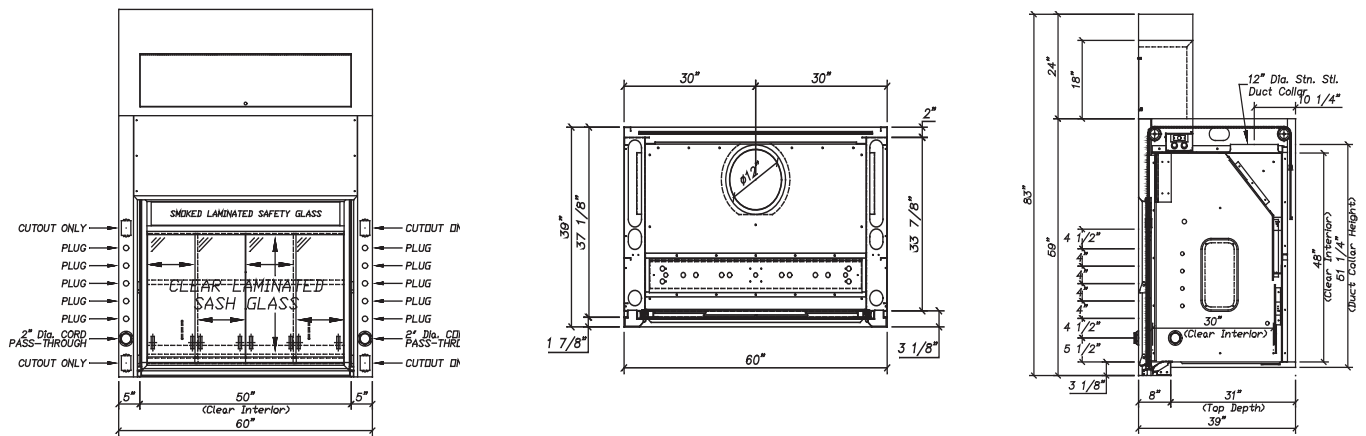
F-901 HOPEC Bench Hood Fume Hood Accessories

Please see the Fume Hood Accessories section for available options.

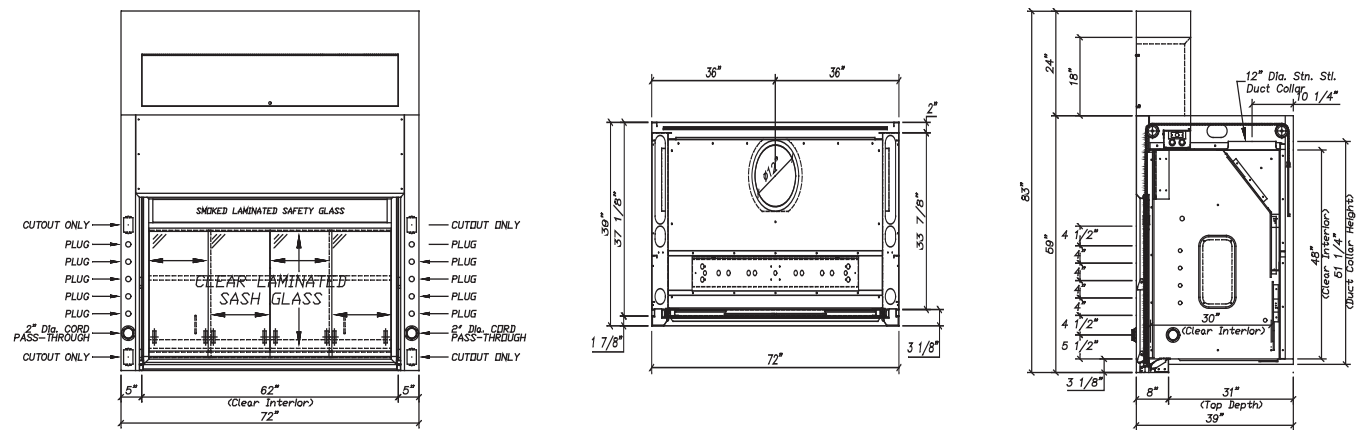
F-901-48 – 48" HOPEC Bench Hood



F-901-60 – 60" HOPEC Bench Hood

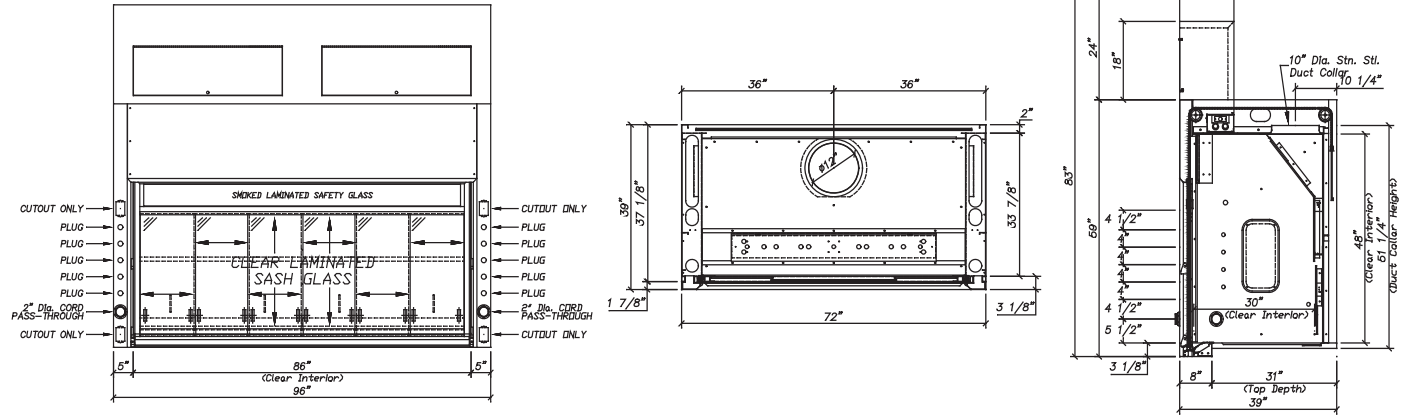


F-901-72 – 72" HOPEC Bench Hood



F-900 Series – HOPEC Bench Hoods – Product Dimensions

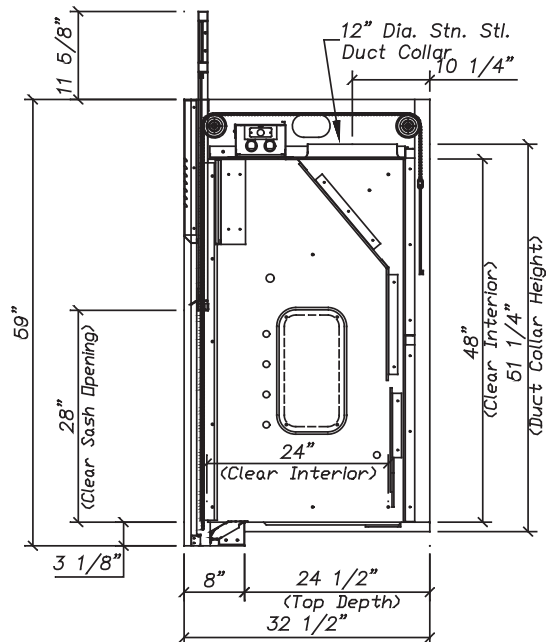
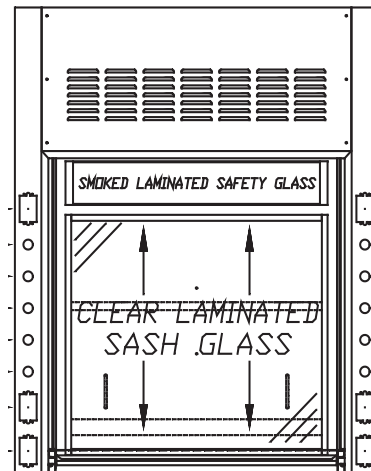
F-901-96 – 96" HOPEC Bench Hood



F-960 ADA Bench Hood with Trough – Framed Vertical Sash

The ISOLATOR ADA bench hood with trough and framed vertical sash is designed to minimize static pressure loss with adequate slot area and bellmouth shaped exhaust collar. The ISOLATOR's design and construction enhances its value by providing:

- Unparalleled user safety
- Full hood access for easy set ups
- Years of maintenance free service
- Unmatched ease of use
- Unique design qualities for unlimited customization possibilities
- Field conversion between Constant Air Volume (CAV) and Variable Air Volume (VAV)
- Hoods available in "Knock Down" (KD) mode for transport and assembly in restricted areas



F-960 ADA Bench Hood Features

- Unsurpassed containment (designed and tested to exceed ASHRAE 110-1995)
- Unique chain driven sash mechanism that comes with a lifetime warranty
- Galvanized steel pan superstructure
- Transparent viewpass bypass system
- Stainless steel air foil
- Vertical sashes provide the greatest hood interior access
- Full view sash with 28" opening
- Quality engineering ensures years of reliable service

F-900 Series – ADA Bench Hoods – Ordering Information

F-960 ADA Bench Hood Air Flow Data

Catalog Number	Duct Diameter	Exhaust Open 28" @ 100 FPM	Exhaust Open 18" @ 100 FPM
F-960-48	1 : 10"	739 CFM @ .29 "SP	475 CFM @ .12 "SP
F-960-60	1 : 12"	972 CFM @ .27 "SP	625 CFM @ .11 "SP
F-960-72	1 : 12"	1206 CFM @ .42 "SP	775 CFM @ .17 "SP
F-960-96	2 : 10"	1672 CFM @ .37 "SP	1075 CFM @ .15 "SP

F-960 ADA Bench Hood Product Numbers

F-960-48	ADA Bench with Trough 48"	Framed Sash
F-960-60	ADA Bench with Trough 60"	Framed Sash
F-960-72	ADA Bench with Trough 72"	Framed Sash
F-960-96	ADA Bench with Trough 96"	Framed Sash

F-960 ADA Bench Hood Liner Options

White Polyglass is standard. Please see the Hood Liners section for available options.

F-960 ADA Bench Hood Electrical Options

Fascia is pre-punched with two electrical cutouts (four cutouts total). Please see the Electrical Fixtures section for available options.

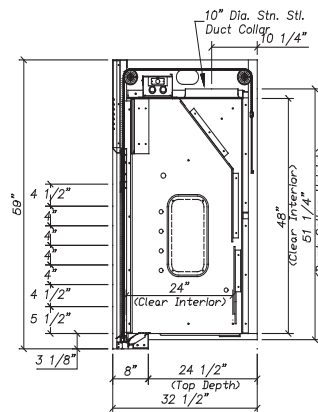
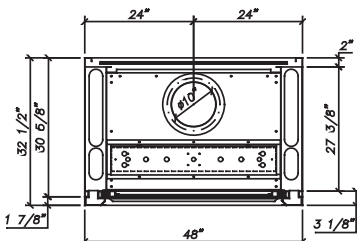
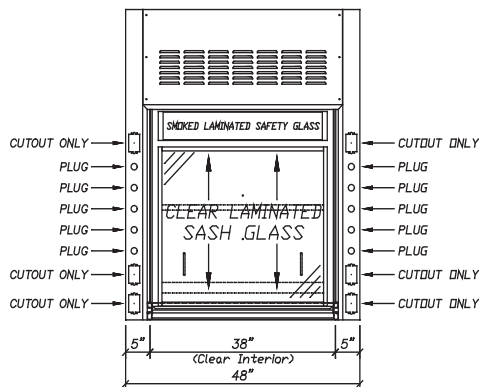
F-960 ADA Bench Hood Plumbing Fixtures

Fascia is pre-punched with five 3/4" dia. holes to accept rod driven remote fixtures (ten holes total). Please see the Plumbing Fixtures section for available options.

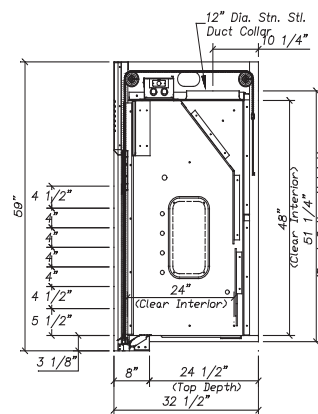
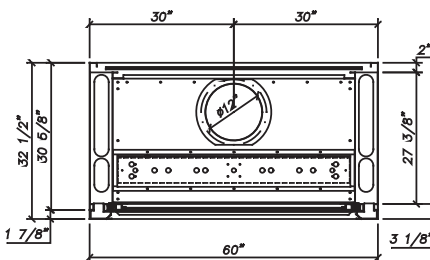
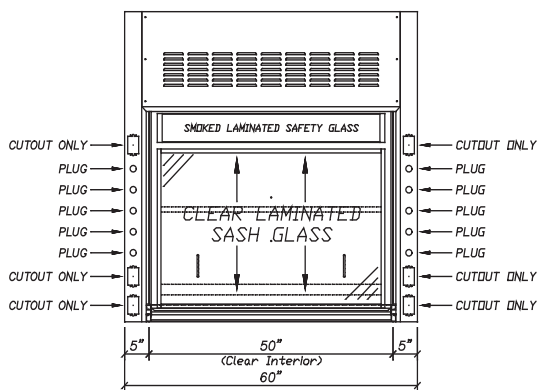
F-960 ADA Bench Hood Fume Hood Accessories

Please see the Fume Hood Accessories section for available options.

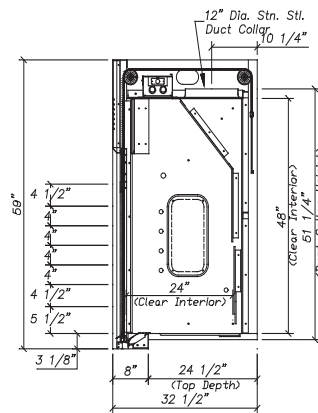
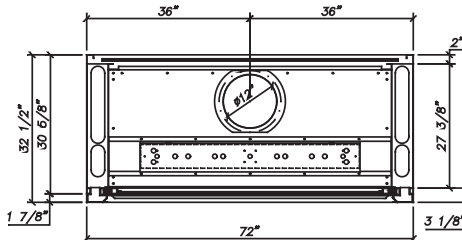
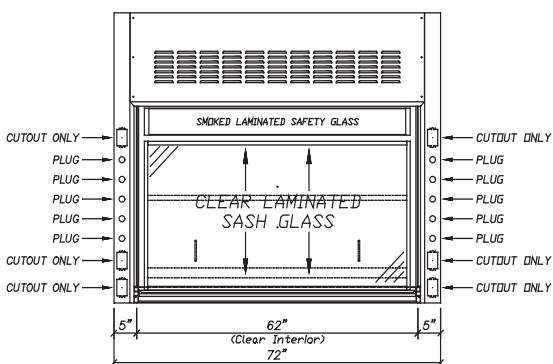
F-960-48 – 48" ADA Bench Hood



F-960-60 – 60" ADA Bench Hood

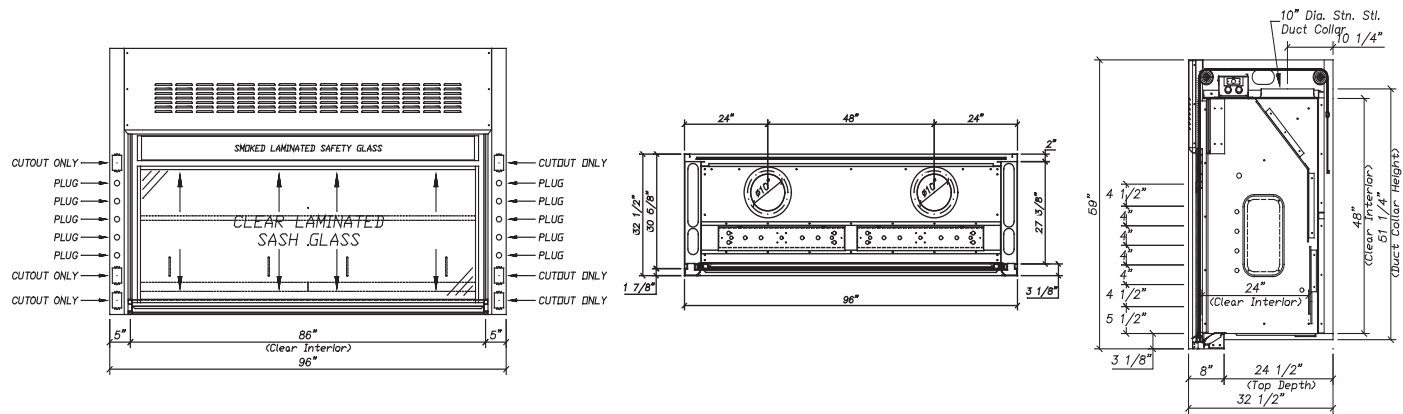


F-960-72 – 72" ADA Bench Hood



F-900 Series – ADA Bench Hoods – Product Dimensions

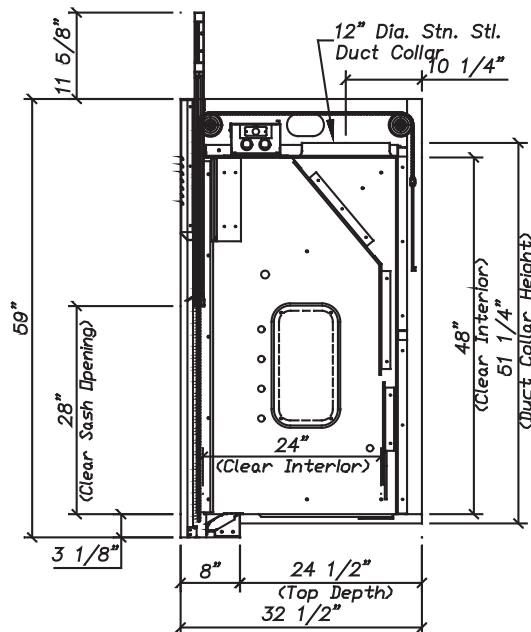
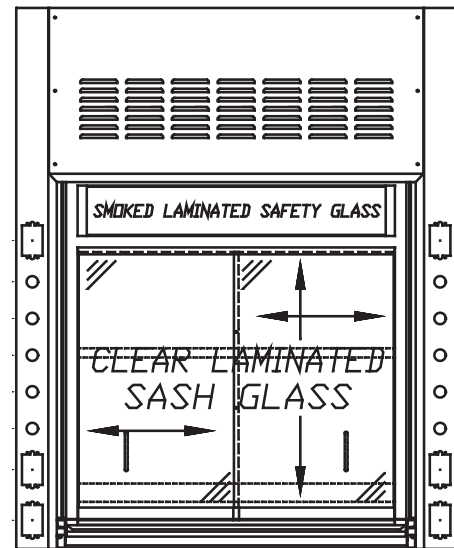
F-960-96 – 96" ADA Bench Hood



F-961 ADA Bench Hood with Trough – Combination Sash

The ISOLATOR ADA bench hood with trough and a combination sash is designed to minimize static pressure loss with adequate slot area and bellmouth shaped exhaust collar. The ISOLATOR's design and construction enhances its value by providing:

- Unparalleled user safety
- Years of maintenance free service
- Unmatched ease of use
- Unique design qualities for unlimited customization possibilities
- Field conversion between Constant Air Volume (CAV) and Variable Air Volume (VAV)
- Hoods available in “Knock Down” (KD) mode for transport and assembly in restricted areas



F-961 ADA Bench Hood Features

- Unsurpassed containment (designed and tested to exceed ASHRAE 110-1995)
- Unique chain driven sash mechanism that comes with a lifetime warranty
- Galvanized steel pan superstructure
- Transparent viewpass bypass system
- Stainless steel air foil
- Offers the best features of both the vertical and horizontal sashes thus allowing flexible interior access while minimizing the sash opening for energy savings
- Full view stainless steel combination sash with 28" vertical opening
- Quality engineering ensures years of reliable service

F-900 Series – ADA Bench Hoods – Ordering Information

F-961 ADA Bench Hood Air Flow Data

Catalog Number	Duct Diameter	28" Vertical Open @ 100 FPM	14" Vertical Open @ 100 FPM
F-961-48	1 : 10"	739 CFM @ .29 "SP	369 CFM @ .07 "SP
F-961-60	1 : 12"	972 CFM @ .27 "SP	486 CFM @ .07 "SP
F-961-72	1 : 12"	1206 CFM @ .42 "SP	603 CFM @ .11 "SP
F-961-96	2 : 10"	1672 CFM @ .37 "SP	856 CFM @ .09 "SP

*50% Open may be achieved two ways:

1. Vertical sash open 14"; horizontal panels closed
2. Vertical sash closed; horizontal panels full open

F-961 ADA Bench Hood Product Numbers

F-961-48	ADA Bench with Trough 48"	Combo Sash
F-961-60	ADA Bench with Trough 60"	Combo Sash
F-961-72	ADA Bench with Trough 72"	Combo Sash
F-961-96	ADA Bench with Trough 96"	Combo Sash

F-961 ADA Bench Hood Liner Options

White Polyglass is standard. Please see the Hood Liners section for available options.

F-961 ADA Bench Hood Electrical Options

Fascia is pre-punched with two electrical cutouts (four cutouts total). Please see the Electrical Fixtures section for available options.

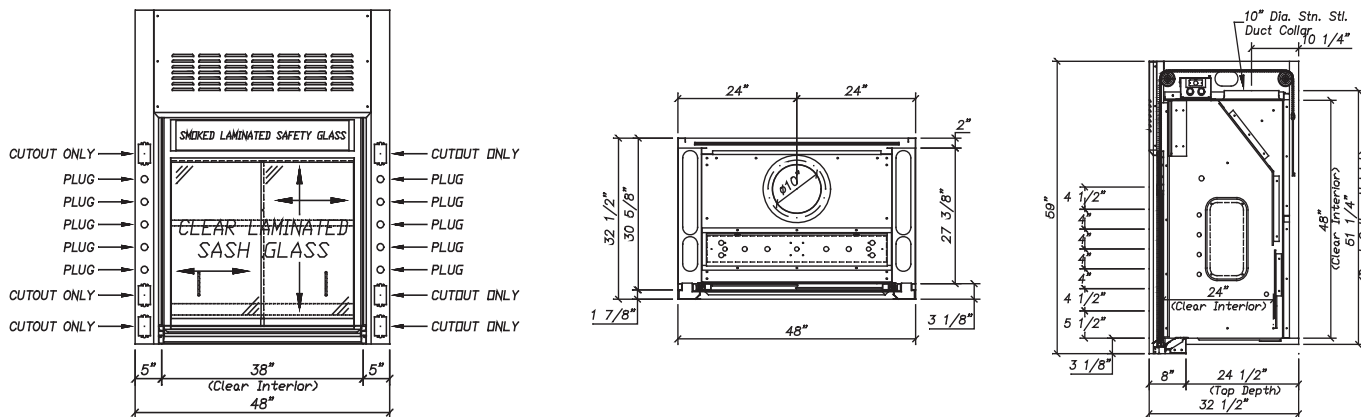
F-961 ADA Bench Hood Plumbing Fixtures

Fascia is pre-punched with five 3/4" dia. holes to accept rod driven remote fixtures (ten holes total). Please see the Plumbing Fixtures section for available options.

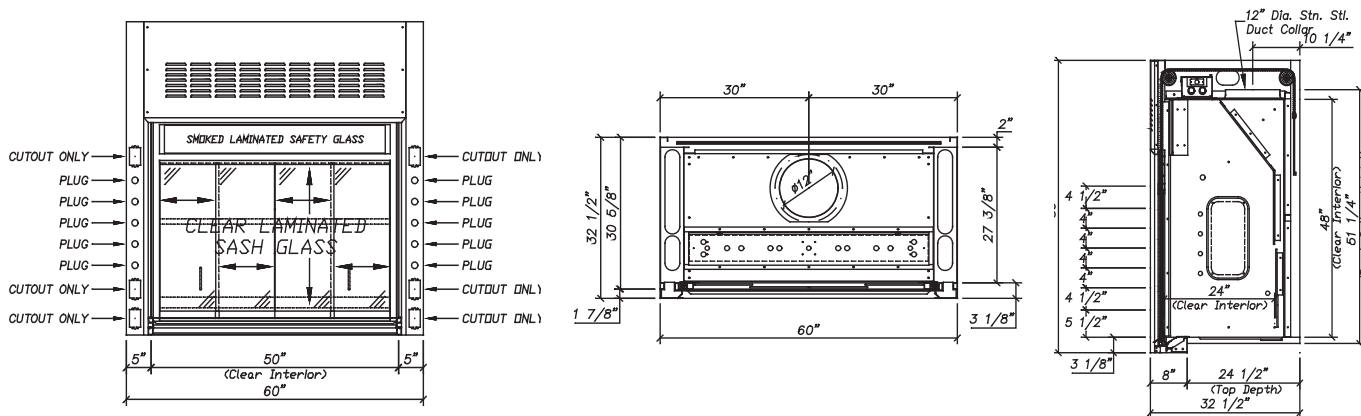
F-961 ADA Bench Hood Fume Hood Accessories

Please see the Fume Hood Accessories section for available options.

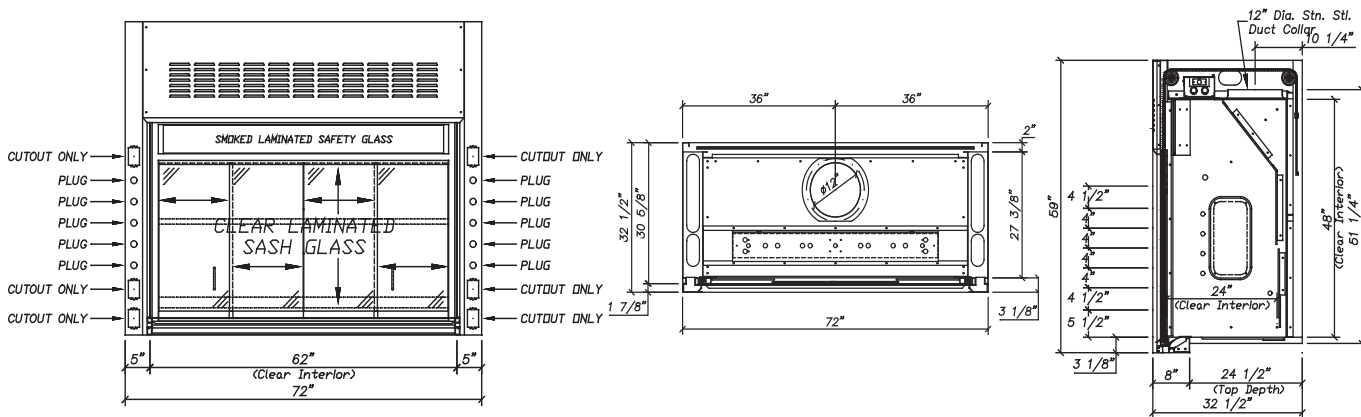
F-961-48 – 48" ADA Bench Hood



F-961-60 – 60" ADA Bench Hood

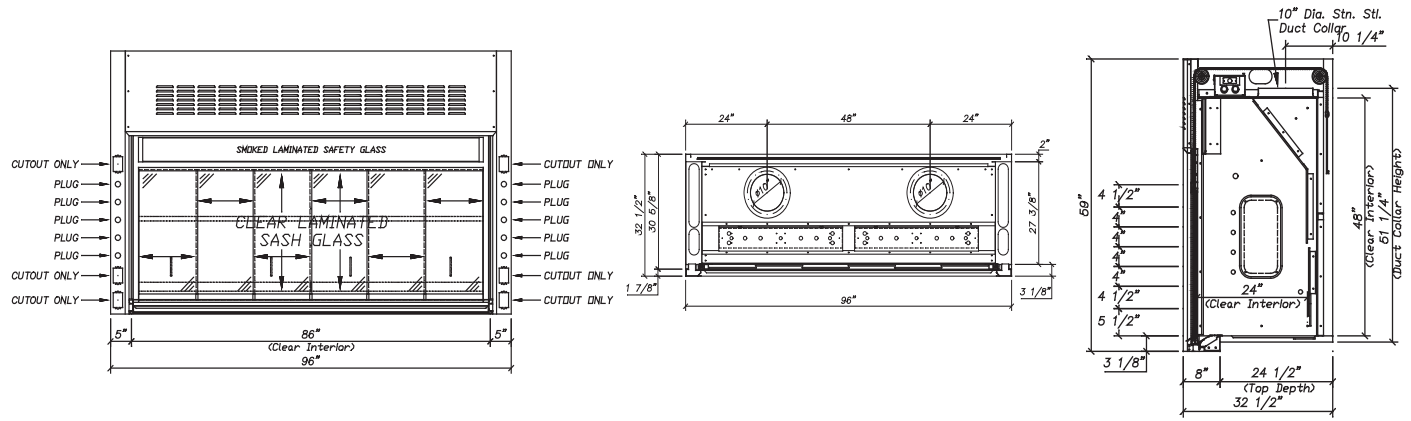


F-961-72 – 72" ADA Bench Hood



F-900 Series – ADA Bench Hoods – Product Dimensions

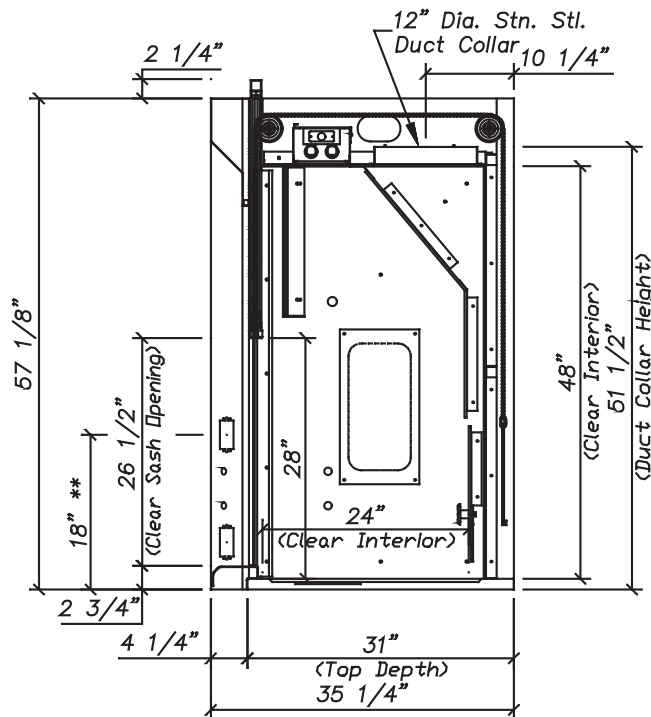
F-961-96 – 96" ADA Bench Hood



F-971 ADA Bench Hood

The ISOLATOR bench fume hood is specifically designed to comply with guidelines of the Americans with Disabilities Act (ADA). The fixtures and service fittings have been repositioned to allow easy access by a seated operator. The ISOLATOR's design and construction enhances its value by providing:

- Unparalleled user safety
- Years of maintenance free service
- Unmatched ease of use
- Substantial energy savings via the sash configuration
- Unique design qualities for unlimited customization possibilities
- Field conversion between Constant Air Volume (CAV) and Variable Air Volume (VAV)
- Hoods available in "Knock Down" (KD) mode for transport and assembly in restricted areas



** NOTE: 18" IS A.D.A. RECOMMENDED MAXIMUM FIXTURE HEIGHT

F-971 ADA Bench Hood Features

- Unsurpassed containment (designed and tested to exceed ASHRAE 110-1995)
- Unique chain driven sash mechanism that comes with a lifetime warranty
- Galvanized steel pan superstructure
- Transparent viewpass bypass system
- Stainless steel air foil
- Offers the best features of both the vertical and horizontal sashes thus allowing flexible interior access while minimizing the sash opening for energy savings
- Full view frameless sash with 26 1/2" opening
- Quality engineering ensures years of reliable service

F-900 Series – HOPEC Bench Hoods – Ordering Information

F-971 ADA Bench Hood Air Flow Data

Catalog Number	Duct Diameter	28" Vertical Open @ 100 FPM	18" Vertical Open @ 100 FPM
F-971-48	1 : 10"	739 CFM @ .29 "SP	475 CFM @ .12 "SP
F-971-60	1 : 12"	972 CFM @ .27 "SP	625 CFM @ .11 "SP
F-971-72	1 : 12"	1206 CFM @ .42 "SP	775 CFM @ .17 "SP
F-971-96	2 : 10"	1672 CFM @ .37 "SP	1075 CFM @ .15 "SP

*50% Open may be achieved two ways:

1. Vertical sash open 14"; horizontal panels closed
2. Vertical sash closed; horizontal panels full open

F-971 ADA Bench Hood Product Numbers

F-971-48	ADA Bench 48"	ADA Fascia	
F-971-60	ADA Bench 60"	ADA Fascia	
F-971-72	ADA Bench 72"	ADA Fascia	
F-971-96	ADA Bench 96"	ADA Fascia	
F-971-48 D30	ADA Bench 48"	ADA Fascia	30" Deep
F-971-60 D30	ADA Bench 60"	ADA Fascia	30" Deep
F-971-72 D30	ADA Bench 72"	ADA Fascia	30" Deep
F-971-96 D30	ADA Bench 96"	ADA Fascia	30" Deep

F-971 ADA Bench Hood Liner Options

White Polyglass is standard. Please see the Hood Liners section for available options.

F-971 ADA Bench Hood Electrical Options

Fascia is pre-punched with two electrical cutouts (four cutouts total). Please see the Electrical Fixtures section for available options.

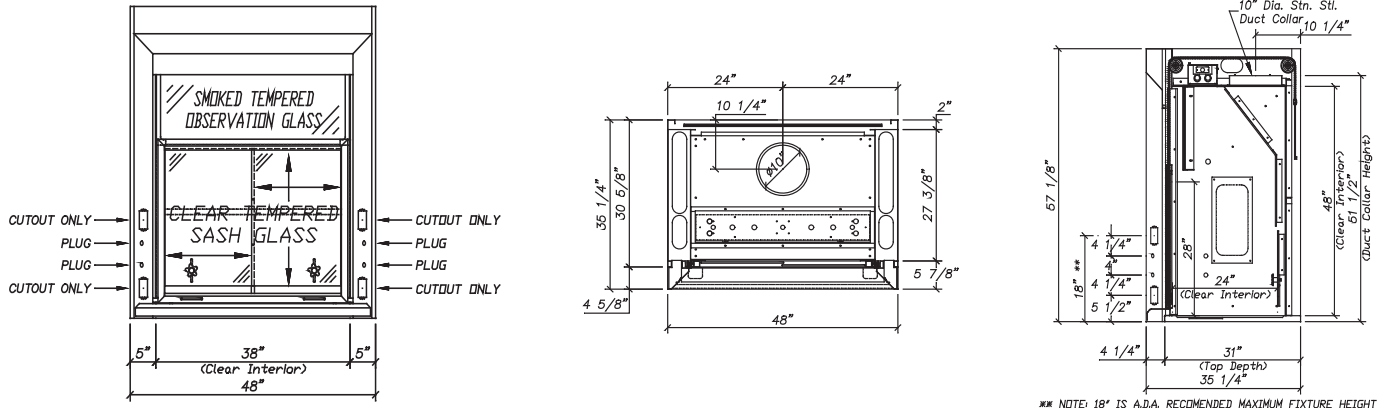
F-971 ADA Bench Hood Plumbing Fixtures

Fascia is pre-punched with five 3/4" dia. holes to accept rod driven remote fixtures (ten holes total). Please see the Plumbing Fixtures section for available options.

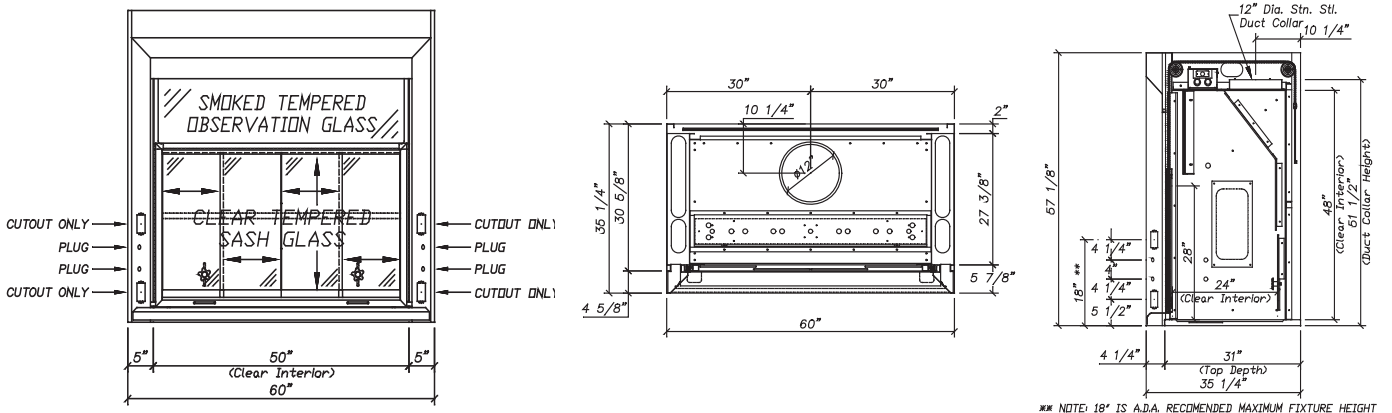
F-971 ADA Bench Hood Accessories

Please see the Fume Hood Accessories section for available options.

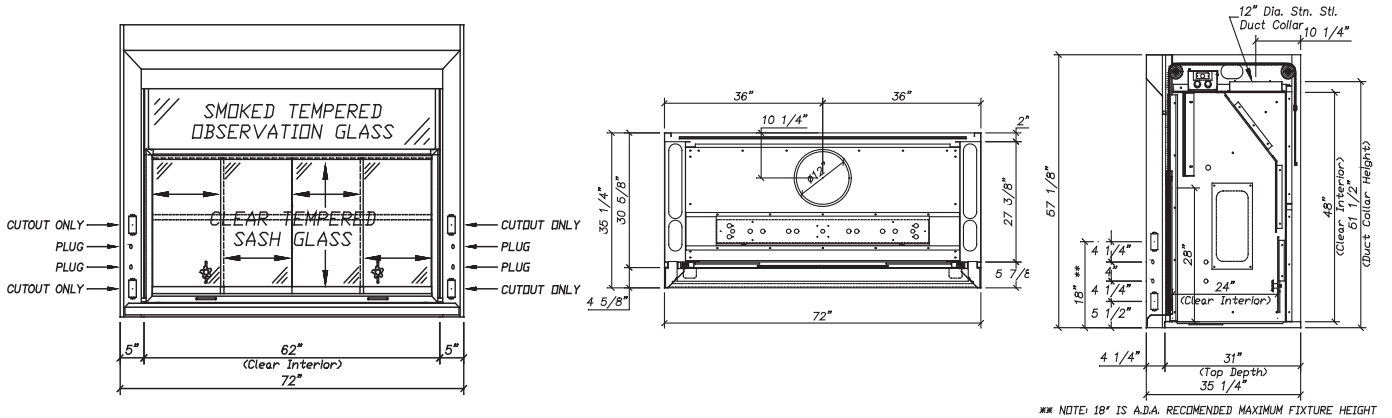
F-971-48 – 48" ADA Bench Hood



F-971-60 – 60" ADA Bench Hood

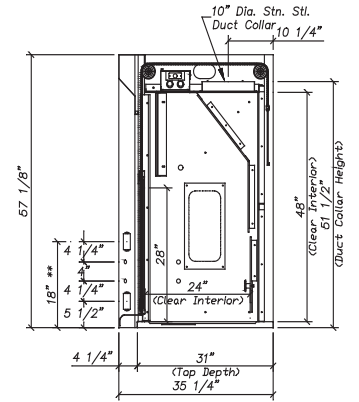
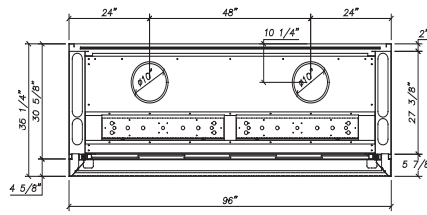
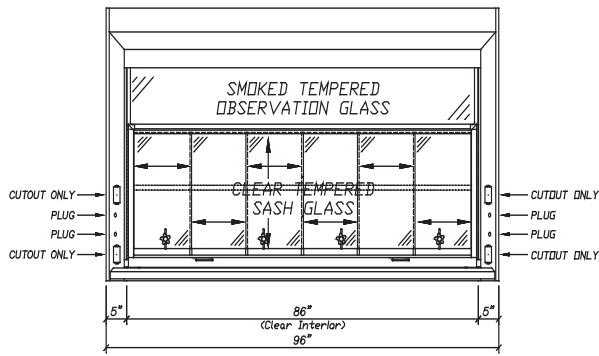


F-971-72 – 72" ADA Bench Hood



F-900 Series – HOPEC Bench Hoods – Product Dimensions

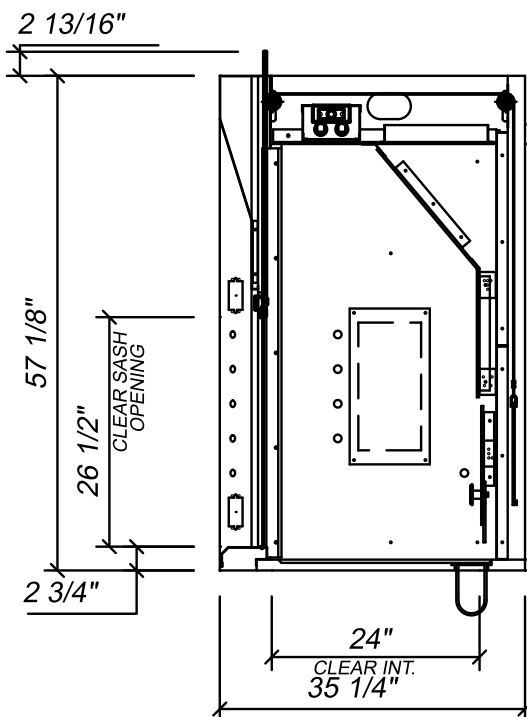
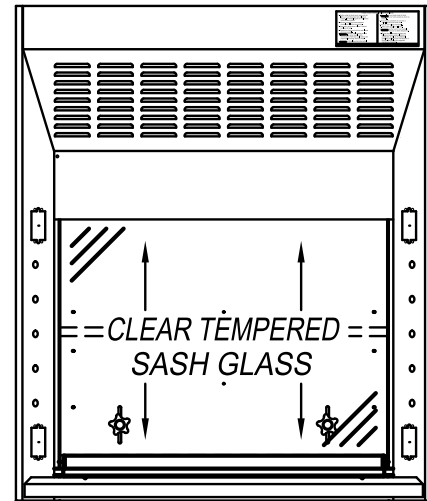
F-971-96 – 96" ADA Bench Hood



*** NOTE: 18" IS A.I.A. RECOMMENDED MAXIMUM FIXTURE HEIGHT

F-K12 – Discovery Hood – Frameless Vertical Sash

- Superior containment performance and years of safe, reliable service at an affordable price
- Full view vertical sash provides complete visual access
- 26 1/2" sash opening ensures easy physical access (measured from top of airfoil to bottom of sash)
- Two tube florescent light fixture for clear illumination
- Superior containment quality provides unmatched safety
- Quality engineering ensures years of reliable service
- Contemporary design for aesthetic quality



Discovery Hood Features

- Galvanized steel pan superstructure
- Full view tempered safety glass sash
- Full width sash pull
- Direct drive full width counter balanced sash
- PVC sash track
- Bright white polyglass liner
- Adjustable lower baffle
- Fascias pre-punched to accommodate service fixtures or velocity alarm
- Designed and tested to exceed ASHRAE 110-1995 standards

F-K12 Series – Educational Hoods – Ordering Information

F-K12 Series Air Flow Data

Catalog Number	Duct Diameter	28" Vertical Open @ 100 FPM	18" Vertical Open @ 100 FPM
F-K12-48	1 : 12"	739 CFM @ .16 "SP	475 CFM @ .07 "SP
F-K12-60	1 : 12"	972 CFM @ .27 "SP	625 CFM @ .11 "SP
F-K12-72	1 : 12"	1206 CFM @ .42 "SP	775 CFM @ .17 "SP

Discovery Hood Product Numbers

F-K12-48	48" Discovery Fume Hood
F-K12-60	60" Discovery Fume Hood
F-K12-72	72" Discovery Fume Hood

Discovery Hood Series Liner Options

White Polyglass is standard. Please see the Hood Liners section for available options.

Discovery Hood Series Electrical Options

Fascia is pre-punched with two electrical cutouts per side. The right fascia is pre-punched for a velocity alarm. Please see the Electrical Fixtures section for available options.

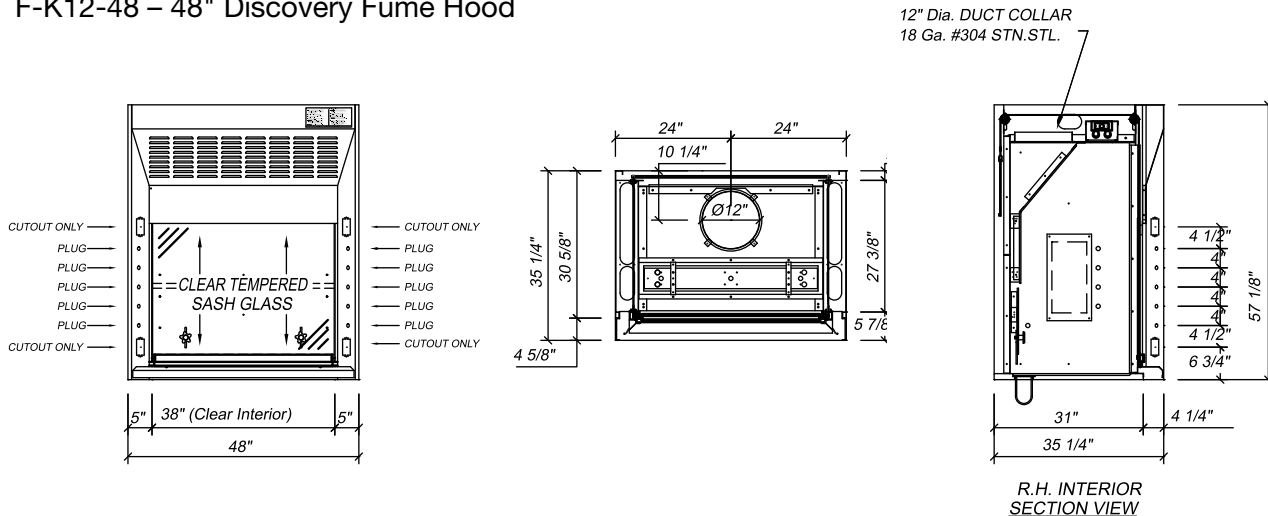
Discovery Hood Series Plumbing Fixtures

Fascia is pre-punched with five 3/4" dia. holes to accept rod driven remote fixtures (ten holes total). Please see the Plumbing Fixtures section for available options.

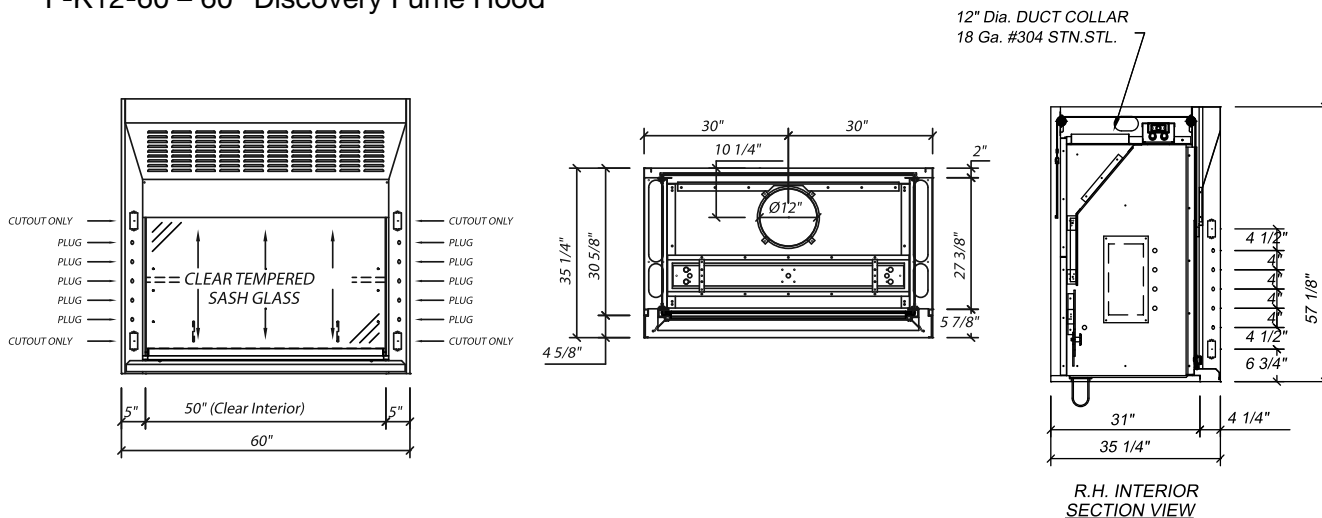
Discovery Hood Series Fume Hood Accessories

Please see the Fume Hood Accessories section for available options.

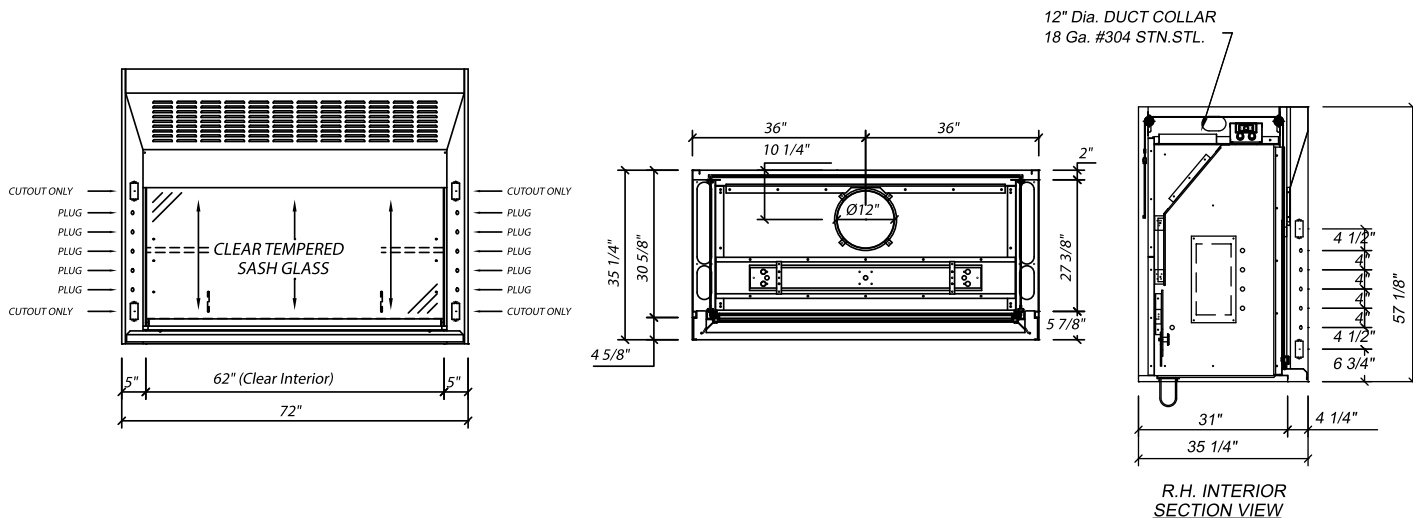
F-K12-48 – 48" Discovery Fume Hood



F-K12-60 – 60" Discovery Fume Hood



F-K12-72 – 72" Discovery Fume Hood



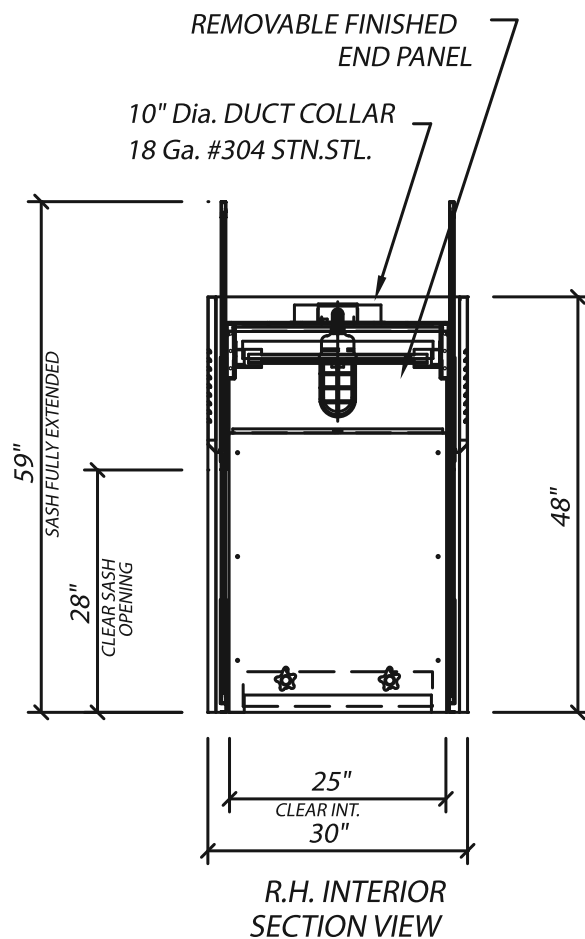
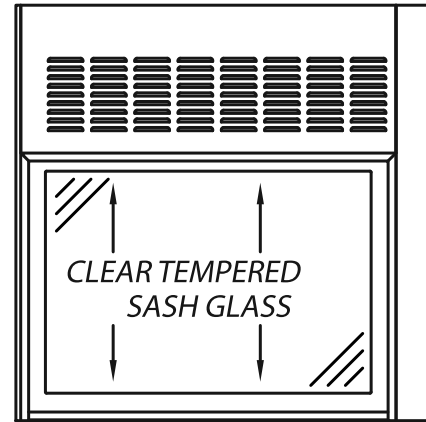


This page was intentionally left blank.

F-121T Bench – Demonstration Hood

The F-121T series of ISOLATOR fume hoods combine the features of a traditional FK12 bench hood with the added flexibility of double sided access. Dual rising sashes on either end allow easy access from both sides of the hood. A sash interlock, which allows only one sash to be raised at any given time, is standard on all F-121T models. Hoods may be plumbed and wired for use on both sides.

- Unparalleled user safety
- Full hood access for easy set ups
- Years of maintenance free service
- Unmatched ease of use
- Unique design qualities for unlimited customization possibilities
- Field conversion between Constant Air Volume (CAV) and Variable Air Volume (VAV)
- Hoods available in “Knock Down” (KD) mode for transport and assembly in restricted areas



F-121T Bench Hood – Features

- Unsurpassed containment (designed and tested to exceed ASHRAE 110-1995)
- Galvanized Steel Pan Superstructure
- Transparent Viewpass bypass system
- Aerodynamically designed Airplane wing style sash handle enhances the perimeter containment
- Vertical sashes provide the greatest hood interior access
- Full view sash with 26 1/2" opening
- Quality engineering ensures years of reliable service

F-K12 Series – Educational Hoods – Ordering Information

F-121T Bench Hood Air Flow Data

Catalog Number	Duct Diameter	28" Open @ 100 FPM	18" Open @ 100 FPM
F-121T-48	1 : 10"	922 CFM @ .45 "SP	634 CFM @ .21 "SP
F-121T-60	1 : 10"	1189 CFM @ .75 "SP	817 CFM @ .35 "SP
F-121T-72	1 : 10"	1456 CFM @ 1.12 "SP	1001 CFM @ .53 "SP

* Either front or rear open only

F-121T Bench Hood Product Numbers

F-121T-48	48" Bench	Frameless
F-121T-60	60" Bench	Frameless
F-121T-72	72" Bench	Frameless

F-121T Bench Hood Liner Options

White Polyglass is standard. Please see the Hood Liners section for available options.

F-121T Bench Hood Electrical Options

Fascia is pre-punched with two electrical cutouts per side. The right fascia is pre-punched for a velocity alarm. Please see the Electrical Fixtures section for available options.

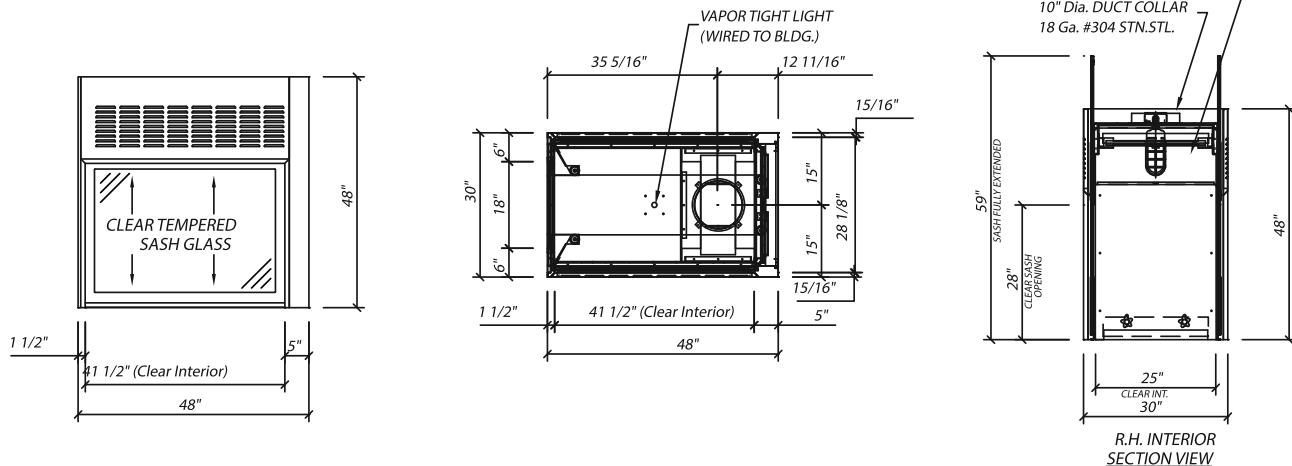
F-121T Bench Hood Plumbing Fixtures

Fascia is pre-punched with five 3/4" dia. holes to accept rod driven remote fixtures (ten holes total). Please see the Plumbing Fixtures section for available options.

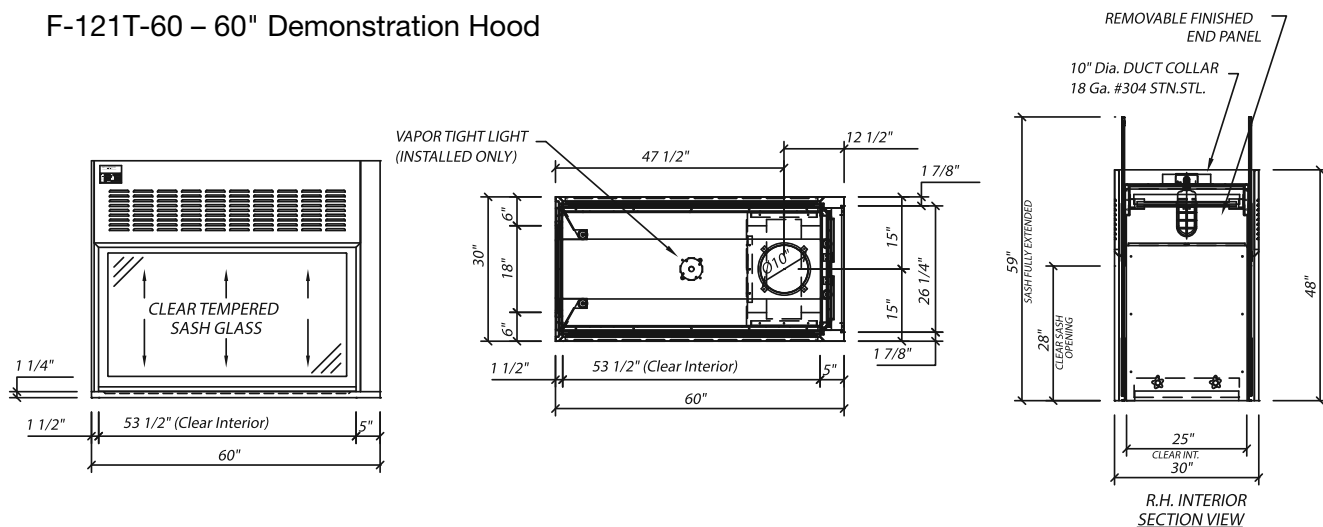
F-121T Bench Hood Fume Hood Accessories

Please see the Fume Hood Accessories section for available options.

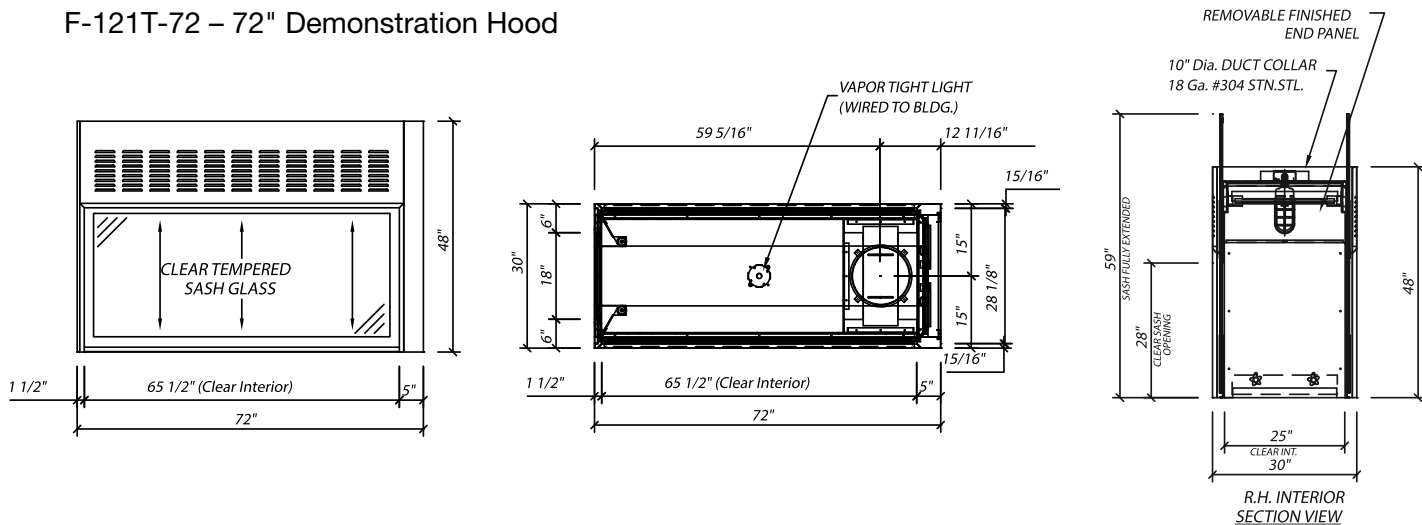
F-121T-48 – 48" Demonstration Hood



F-121T-60 – 60" Demonstration Hood



F-121T-72 – 72" Demonstration Hood



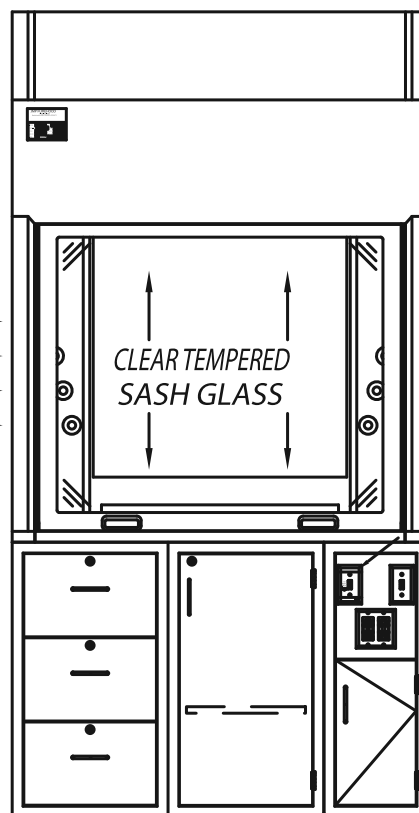


This page was intentionally left blank.

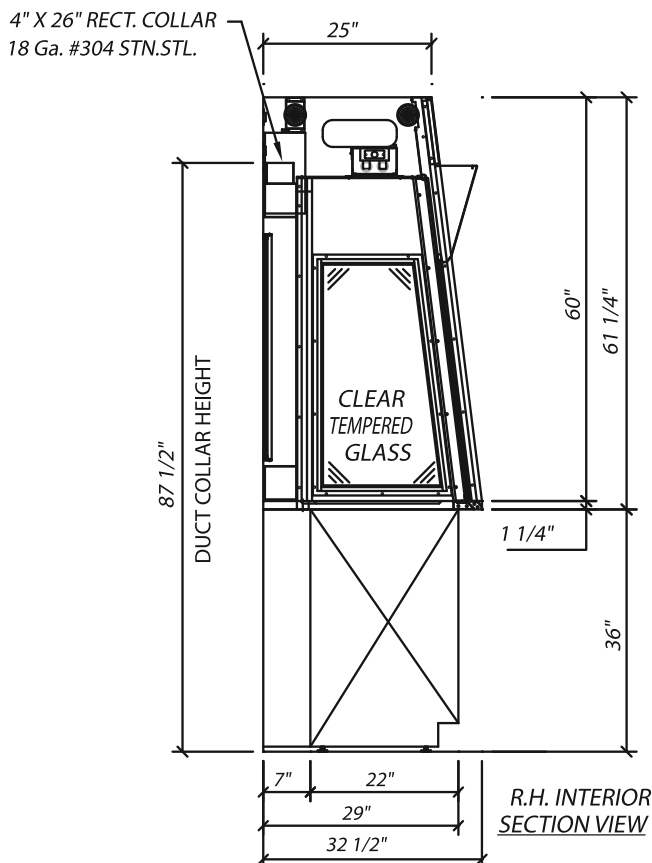
F-EXP Explorer Bench Hood – Framed Sash

The EXPLORER series of science fume hoods are designed to support a variety of research in University and K-12 environments. A basic module can be a stand alone unit with a poly-resin rear panel, or combined back-to-back with a glass back panel to create a see through condition. Glass side panels allow instructors to easily monitor activities within the fume hood. Electrical fixtures and Plumbing valves must be contained within the cabinet below.

- Unparalleled user safety
- Full hood access for easy set ups
- Years of maintenance free service
- Unmatched ease of use
- Unique design qualities for unlimited customization possibilities
- Field conversion between Constant Air Volume (CAV) and Variable Air Volume (VAV)
- Hoods available in “Knock Down” (KD) mode for transport and assembly in restricted areas



Note: Casework sold separately.



F-EXP Explorer Bench Hood – Features

- Unsurpassed containment (designed and tested to exceed ASHRAE 110-1995)
- Unique chain driven sash mechanism that comes with a lifetime warranty
- Galvanized Steel Pan Superstructure
- Transparent Viewpass bypass system
- Stainless steel air foil
- Aerodynamically designed Airplane wing style sash handle enhances the perimeter containment
- Vertical sashes provide the greatest hood interior access
- Full view sash with 33 3/4" opening
- Quality engineering ensures years of reliable service

F-K12 Series – Educational Hoods – Ordering Information

F-EXP Explorer Bench Hood Air Flow Data

Catalog Number	Duct Rectangular	33.75" Vertical Open @ 100 FPM	18" Vertical Open @ 100 FPM
F-EXP-48SIN	4" x 26"	1008 CFM @ .44 "SP	538 CFM @ .13 "SP
F-EXP-60SIN	4" x 30"	1289 CFM @ .48 "SP	688 CFM @ .14 "SP
F-EXP-72SIN	4" x 30"	1570 CFM @ .72 "SP	838 CFM @ .20 "SP

F-EXP Explorer Bench Hood Product Numbers

F-EXP-48SIN	48" Bench	Framed	
F-EXP-48DBL	48" Bench	Framed	Double sided
F-EXP-60SIN	60" Bench	Framed	
F-EXP-60DBL	60" Bench	Framed	Double sided
F-EXP-72SIN	72" Bench	Framed	
F-EXP-72DBL	48" Bench	Framed	Double sided

F-EXP Explorer Bench Hood Liner Options

White Polyglass is standard. Please see the Hood Liners section for available options.

F-EXP Explorer Bench Hood Electrical Options

Fascia is pre-punched with two electrical cutouts per side. The right fascia is pre-punched for a velocity alarm. Please see the Electrical Fixtures section for available options.

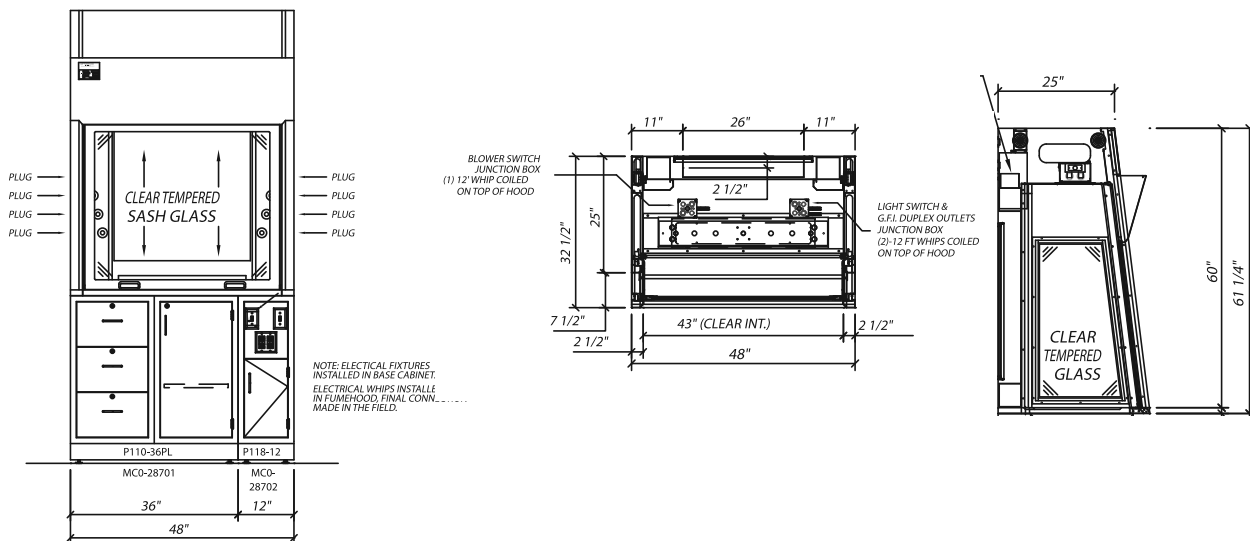
F-EXP Explorer Bench Hood Plumbing Fixtures

Fascia is pre-punched with five 3/4" dia. holes to accept rod driven remote fixtures (ten holes total). Please see the Plumbing Fixtures section for available options.

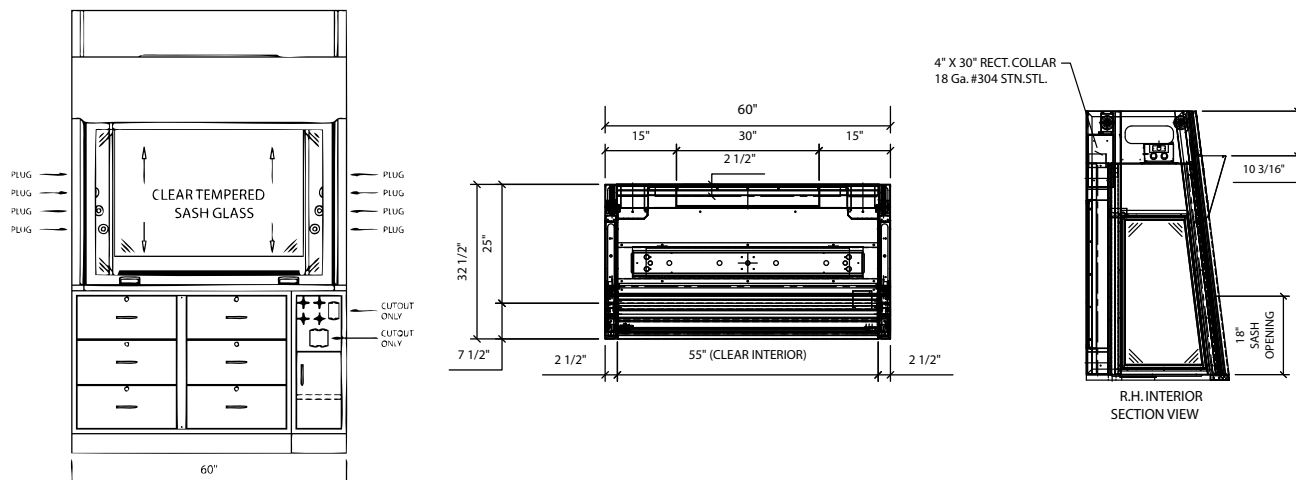
F-EXP Explorer Bench Hood Accessories

Please see the Fume Hood Accessories section for available options.

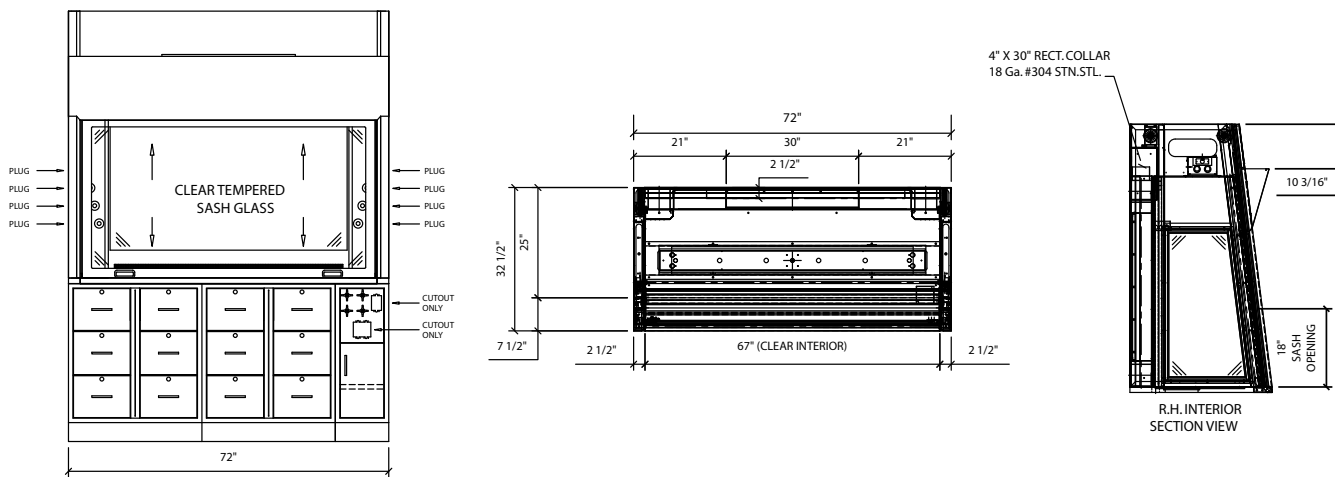
F-EXP-48SIN – 48" Explorer Bench Hood



F-EXP-60SIN – 60" Explorer Bench Hood

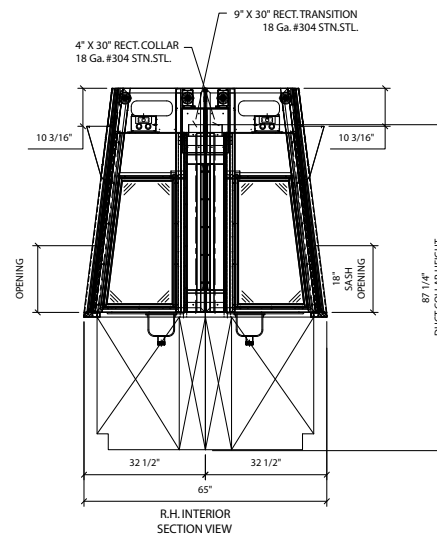
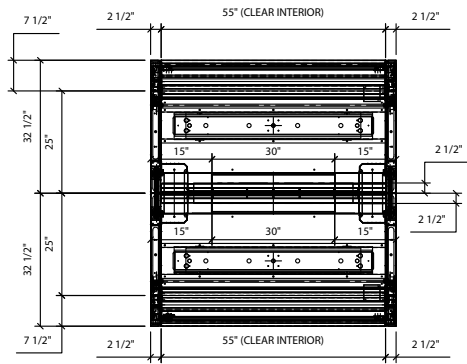
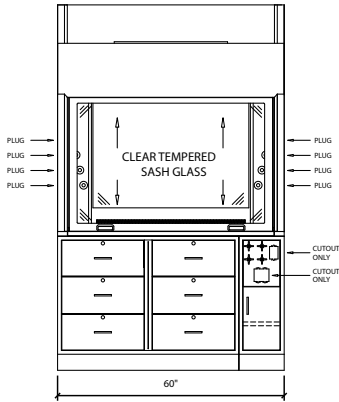


F-EXP-72SIN – 72" Explorer Bench Hood



F-K12 Series – Educational Hoods – Product Dimensions

F-EXP-60DBL – 60" Explorer Double-Sided Bench Hood

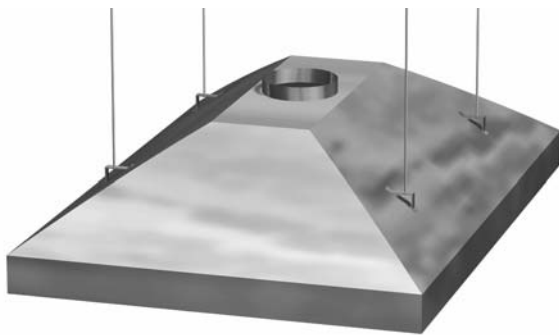


*Standard ceiling hung hoods are 18" in height and 48" deep at base.

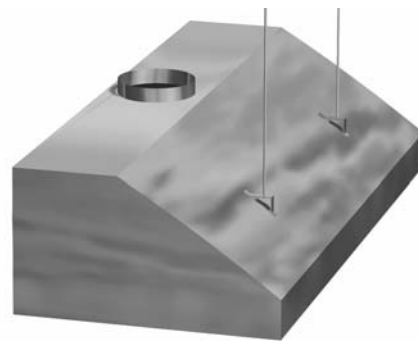
C100-36S	36" Ceiling Hung Canopy	304 Stainless
C100-48S	48" Ceiling Hung Canopy	304 Stainless
C100-60S	60" Ceiling Hung Canopy	304 Stainless
C100-72S	72" Ceiling Hung Canopy	304 Stainless
C100-36P	36" Ceiling Hung Canopy	Painted
C100-48P	48" Ceiling Hung Canopy	Painted
C100-60P	60" Ceiling Hung Canopy	Painted
C100-72P	72" Ceiling Hung Canopy	Painted

*Standard wall mount hoods are 18" in height and 24" deep at base.

C200-36S	36" Wall Mount Canopy	304 Stainless
C200-48S	48" Wall Mount Canopy	304 Stainless
C200-60S	60" Wall Mount Canopy	304 Stainless
C200-72S	72" Wall Mount Canopy	304 Stainless
C200-36P	36" Wall Mount Canopy	Painted
C200-48P	48" Wall Mount Canopy	Painted
C200-60P	60" Wall Mount Canopy	Painted
C200-72P	72" Wall Mount Canopy	Painted



Ceiling Hung Canopy Hood



Wall Mount Canopy Hood



This page was intentionally left blank.

Fume Hood Liners

All of our ISOLATOR fume hoods come standard with a bright white fiberglass reinforced polyester liner material. It is an excellent general purpose liner.

CHEMICAL RESISTIVITY OF FUME HOOD LINER MATERIALS

Chemical	Polyglass	Epoxy Resin	Polyvinyl Chloride	304 Stainless	316 Stainless
Acetic Acid	N	N	N	S	N
Acetone	N	N	B	N	N
Ammonium Hydroxide	N	N (28%)	N	N	N
Benzene	N	N	B	N	N
Carbon Tetrachloride	N	N	B	N	N
Chromic Acid	S	S (40%)	S	N	N
Diethyl Ether	N	N	B	N	N
Ethyl Alcohol	N	N	N	N	N
Gasoline	N	N	N	N	N
Hydrogen Peroxide	N	N	N	NA	NA
Hydrochloric Acid	N	S	N	B	B
Kerosene	N	N	N	N	N
Methyl Alcohol	N	N	S	N	N
Methyl Ethyl Ketone	N	NA	B	N	N
Nitric Acid	N (20%)	N	N	B	B
Sodium Chloride	N	S (10%)	N	S (10%)	N (10%)
Sodium Hydroxide	N	S (10%)	N	N	N
Sodium Hypochlorite	N	N	N	N	N
Sodium Sulfide	S	NA	N	N	N
Sulfuric Acid	N (33%)	N (60%)	N (70%)	S (80%)	N (80%)
Sulfuric Acid (conc.)	S	B	S	B	S
Flame Spread	15	NA	NA	0	0
Fuel Contributed	0	NA	NA	0	0
Smoke Developed	500	NA	NA	0	0

N = No Effect

S = Slight Effect

B = Bad Effect

NA = Data Not Available

Fume Hood Liners – Phenolic Resin Liners

Phenolic Resin Liners (replacing standard polyglass)

A white thermo-fused composite resin liner. Acid, solvent and impact resistant. Not recommended for use with heat emitting devices or hydrofluoric acid.

FOR HOOD SERIES: F-100 – 103, F-181-2 – 183-4, F-703, F-971

1-L236	36" Hood	Replace Polyglass with Phenolic Resin
1-L248	48" Hood	Replace Polyglass with Phenolic Resin
1-L260	60" Hood	Replace Polyglass with Phenolic Resin
1-L272	72" Hood	Replace Polyglass with Phenolic Resin
1-L296	96" Hood	Replace Polyglass with Phenolic Resin
1-L2120	120" Hood	Replace Polyglass with Phenolic Resin
1-L2144	144" Hood	Replace Polyglass with Phenolic Resin

FOR HOOD SERIES: F-170 – 173

17-L296	96" Hood	Replace Polyglass with Phenolic Resin
17-L2120	120" Hood	Replace Polyglass with Phenolic Resin
17-L2144	144" Hood	Replace Polyglass with Phenolic Resin

FOR HOOD SERIES: F-200 – 203, F-803

2-L248	48" Hood	Replace Polyglass with Phenolic Resin
2-L260	60" Hood	Replace Polyglass with Phenolic Resin
2-L272	72" Hood	Replace Polyglass with Phenolic Resin
2-L296	96" Hood	Replace Polyglass with Phenolic Resin
2-L2120	120" Hood	Replace Polyglass with Phenolic Resin
2-L2144	144" Hood	Replace Polyglass with Phenolic Resin

FOR HOOD SERIES: F-250 – 253

25-L272	72" Hood	Replace Polyglass with Phenolic Resin
25-L296	96" Hood	Replace Polyglass with Phenolic Resin
25-L2120	120" Hood	Replace Polyglass with Phenolic Resin
25-L2144	144" Hood	Replace Polyglass with Phenolic Resin

Phenolic Resin Liners (replacing standard polyglass)

FOR HOOD SERIES: F-292

29-L272	72" Hood	Replace Polyglass with Phenolic Resin
29-L296	96" Hood	Replace Polyglass with Phenolic Resin
29-L2120	120" Hood	Replace Polyglass with Phenolic Resin
29-L2144	144" Hood	Replace Polyglass with Phenolic Resin

FOR HOOD SERIES: F-600 – 603

6-L236	36" Hood	Replace Polyglass with Phenolic Resin
6-L248	48" Hood	Replace Polyglass with Phenolic Resin
6-L260	60" Hood	Replace Polyglass with Phenolic Resin
6-L272	72" Hood	Replace Polyglass with Phenolic Resin
6-L296	96" Hood	Replace Polyglass with Phenolic Resin

FOR HOOD SERIES: F-900 – 901, F-301

90-L248	48" Hood	Replace Polyglass with Phenolic Resin
90-L260	60" Hood	Replace Polyglass with Phenolic Resin
90-L272	72" Hood	Replace Polyglass with Phenolic Resin
90-L296	96" Hood	Replace Polyglass with Phenolic Resin

FOR HOOD SERIES: F-960 – F-961

96-L248	48" Hood	Replace Polyglass with Phenolic Resin
96-L260	60" Hood	Replace Polyglass with Phenolic Resin
96-L272	72" Hood	Replace Polyglass with Phenolic Resin
96-L296	96" Hood	Replace Polyglass with Phenolic Resin

FOR HOOD SERIES: F-121, F-121T

Please contact JMPs Estimating Department for more information regarding this product.

Fume Hood Liners – Polyvinyl Chloride Liners

Polyvinyl Chloride Liners (replacing standard polyglass)

Material liner made of white polyvinyl chloride. Excellent resistance to strong acids, bases and solvents. Has low mechanical tolerance for heat.

FOR HOOD SERIES: F-100 – 103, F-181-2 – 183-4, F-703, F-971

1-L436	36" Hood	Replace Polyglass with Polyvinyl Chloride
1-L448	48" Hood	Replace Polyglass with Polyvinyl Chloride
1-L460	60" Hood	Replace Polyglass with Polyvinyl Chloride
1-L472	72" Hood	Replace Polyglass with Polyvinyl Chloride
1-L496	96" Hood	Replace Polyglass with Polyvinyl Chloride
1-L4120	120" Hood	Replace Polyglass with Polyvinyl Chloride
1-L4144	144" Hood	Replace Polyglass with Polyvinyl Chloride

FOR HOOD SERIES: F-170 – 173

17-L496	96" Hood	Replace Polyglass with Polyvinyl Chloride
17-L4120	120" Hood	Replace Polyglass with Polyvinyl Chloride
17-L4144	144" Hood	Replace Polyglass with Polyvinyl Chloride

FOR HOOD SERIES: F-200 – 203, F-803

2-L448	48" Hood	Replace Polyglass with Polyvinyl Chloride
2-L460	60" Hood	Replace Polyglass with Polyvinyl Chloride
2-L472	72" Hood	Replace Polyglass with Polyvinyl Chloride
2-L496	96" Hood	Replace Polyglass with Polyvinyl Chloride
2-L4120	120" Hood	Replace Polyglass with Polyvinyl Chloride
2-L4144	144" Hood	Replace Polyglass with Polyvinyl Chloride

FOR HOOD SERIES: F-250 – 253

25-L472	72" Hood	Replace Polyglass with Polyvinyl Chloride
25-L496	96" Hood	Replace Polyglass with Polyvinyl Chloride
25-L4120	120" Hood	Replace Polyglass with Polyvinyl Chloride
25-L4144	144" Hood	Replace Polyglass with Polyvinyl Chloride

Polyvinyl Chloride Liners (replacing standard polyglass)

FOR HOOD SERIES: F-292

29-L472	72" Hood	Replace Polyglass with Polyvinyl Chloride
29-L496	96" Hood	Replace Polyglass with Polyvinyl Chloride
29-L4120	120" Hood	Replace Polyglass with Polyvinyl Chloride
29-L4144	144" Hood	Replace Polyglass with Polyvinyl Chloride

FOR HOOD SERIES: F-600 – 603

6-L436	36" Hood	Replace Polyglass with Polyvinyl Chloride
6-L448	48" Hood	Replace Polyglass with Polyvinyl Chloride
6-L460	60" Hood	Replace Polyglass with Polyvinyl Chloride
6-L472	72" Hood	Replace Polyglass with Polyvinyl Chloride
6-L496	96" Hood	Replace Polyglass with Polyvinyl Chloride

FOR HOOD SERIES: F-900 – 901, F-301

90-L448	48" Hood	Replace Polyglass with Polyvinyl Chloride
90-L460	60" Hood	Replace Polyglass with Polyvinyl Chloride
90-L472	72" Hood	Replace Polyglass with Polyvinyl Chloride
90-L496	96" Hood	Replace Polyglass with Polyvinyl Chloride

FOR HOOD SERIES: F-960 – 961

96-L448	48" Hood	Replace Polyglass with Polyvinyl Chloride
96-L460	60" Hood	Replace Polyglass with Polyvinyl Chloride
96-L472	72" Hood	Replace Polyglass with Polyvinyl Chloride
96-L496	96" Hood	Replace Polyglass with Polyvinyl Chloride

FOR HOOD SERIES: F-121, F-121T

Please contact JMPs Estimating Department for more information regarding this product.

Fume Hood Liners – Polypropylene Liners

Polypropylene Liners (replacing standard polyglass)

Liner made of white polypropylene. Excellent resistance to strong acids, bases and solvents. Melts under thermal stress.

FOR HOOD SERIES: F-100 – 103, F-181-2 – 183-4, F-703, F-971

1-L536	36" Hood	Replace Polyglass with Polypropylene
1-L548	48" Hood	Replace Polyglass with Polypropylene
1-L560	60" Hood	Replace Polyglass with Polypropylene
1-L572	72" Hood	Replace Polyglass with Polypropylene
1-L596	96" Hood	Replace Polyglass with Polypropylene
1-L5120	120" Hood	Replace Polyglass with Polypropylene
1-L5144	144" Hood	Replace Polyglass with Polypropylene

FOR HOOD SERIES: F-170 – 173

17-L596	96" Hood	Replace Polyglass with Polypropylene
17-L5120	120" Hood	Replace Polyglass with Polypropylene
17-L5144	144" Hood	Replace Polyglass with Polypropylene

FOR HOOD SERIES: F-200 – 203, F-803

2-L548	48" Hood	Replace Polyglass with Polypropylene
2-L560	60" Hood	Replace Polyglass with Polypropylene
2-L572	72" Hood	Replace Polyglass with Polypropylene
2-L596	96" Hood	Replace Polyglass with Polypropylene
2-L5120	120" Hood	Replace Polyglass with Polypropylene
2-L5144	144" Hood	Replace Polyglass with Polypropylene

FOR HOOD SERIES: F-250 – 253

25-L572	72" Hood	Replace Polyglass with Polypropylene
25-L596	96" Hood	Replace Polyglass with Polypropylene
25-L5120	120" Hood	Replace Polyglass with Polypropylene
25-L5144	144" Hood	Replace Polyglass with Polypropylene

Polypropylene Liners (replacing standard polyglass)

FOR HOOD SERIES: F-292

29-L572	72" Hood	Replace Polyglass with Polypropylene
29-L596	96" Hood	Replace Polyglass with Polypropylene
29-L5120	120" Hood	Replace Polyglass with Polypropylene
29-L5144	144" Hood	Replace Polyglass with Polypropylene

FOR HOOD SERIES: F-600 – 603

6-L536	36" Hood	Replace Polyglass with Polypropylene
6-L548	48" Hood	Replace Polyglass with Polypropylene
6-L560	60" Hood	Replace Polyglass with Polypropylene
6-L572	72" Hood	Replace Polyglass with Polypropylene
6-L596	96" Hood	Replace Polyglass with Polypropylene

FOR HOOD SERIES: F-900 – 901, F-301

90-L548	48" Hood	Replace Polyglass with Polypropylene
90-L560	60" Hood	Replace Polyglass with Polypropylene
90-L572	72" Hood	Replace Polyglass with Polypropylene
90-L596	96" Hood	Replace Polyglass with Polypropylene

FOR HOOD SERIES: F-960 – 961

96-L548	48" Hood	Replace Polyglass with Polypropylene
96-L560	60" Hood	Replace Polyglass with Polypropylene
96-L572	72" Hood	Replace Polyglass with Polypropylene
96-L596	96" Hood	Replace Polyglass with Polypropylene

FOR HOOD SERIES: F-121, F-121T

Please contact JMPs Estimating Department for more information regarding this product.

Fume Hood Liners – Stainless Steel Liners

304 Stainless Steel/Square Cornered Liners (replacing standard polyglass)

304 stainless steel lining with squared corners. Outstanding resistance to heat, solvents and most acids. For use with biological, radioactive and flammable materials.

FOR HOOD SERIES: F-100 – 103, F-181-2 – 183-4, F-703, F-971

1-L636	36" Hood	Replace Polyglass with 304 Stainless Steel
1-L648	48" Hood	Replace Polyglass with 304 Stainless Steel
1-L660	60" Hood	Replace Polyglass with 304 Stainless Steel
1-L672	72" Hood	Replace Polyglass with 304 Stainless Steel
1-L696	96" Hood	Replace Polyglass with 304 Stainless Steel
1-L6120	120" Hood	Replace Polyglass with 304 Stainless Steel
1-L6144	144" Hood	Replace Polyglass with 304 Stainless Steel

FOR HOOD SERIES: F-170 – 173

17-L696	96" Hood	Replace Polyglass with 304 Stainless Steel
17-L6120	120" Hood	Replace Polyglass with 304 Stainless Steel
17-L6144	144" Hood	Replace Polyglass with 304 Stainless Steel

FOR HOOD SERIES: F-200 – 203, F-803

2-L648	48" Hood	Replace Polyglass with 304 Stainless Steel
2-L660	60" Hood	Replace Polyglass with 304 Stainless Steel
2-L672	72" Hood	Replace Polyglass with 304 Stainless Steel
2-L696	96" Hood	Replace Polyglass with 304 Stainless Steel
2-L6120	120" Hood	Replace Polyglass with 304 Stainless Steel
2-L6144	144" Hood	Replace Polyglass with 304 Stainless Steel

FOR HOOD SERIES: F-250 – 253

25-L672	72" Hood,	Replace Polyglass with 304 Stainless Steel
25-L696	96" Hood	Replace Polyglass with 304 Stainless Steel
25-L6120	120" Hood	Replace Polyglass with 304 Stainless Steel
25-L6144	144" Hood	Replace Polyglass with 304 Stainless Steel

304 Stainless Steel/Square Cornered Liners (replacing standard polyglass)

FOR HOOD SERIES: F-292

29-L672	72" Hood	Replace Polyglass with 304 Stainless Steel
29-L696	96" Hood	Replace Polyglass with 304 Stainless Steel
29-L6120	120" Hood	Replace Polyglass with 304 Stainless Steel
29-L6144	144" Hood	Replace Polyglass with 304 Stainless Steel

FOR HOOD SERIES: F-600 – 603

6-L636	36" Hood	Replace Polyglass with 304 Stainless Steel
6-L648	48" Hood	Replace Polyglass with 304 Stainless Steel
6-L660	60" Hood	Replace Polyglass with 304 Stainless Steel
6-L672	72" Hood	Replace Polyglass with 304 Stainless Steel
6-L696	96" Hood	Replace Polyglass with 304 Stainless Steel

FOR HOOD SERIES: F-900 – 901, F-301

90-L648	48" Hood	Replace Polyglass with 304 Stainless Steel
90-L660	60" Hood	Replace Polyglass with 304 Stainless Steel
90-L672	72" Hood	Replace Polyglass with 304 Stainless Steel
90-L696	96" Hood	Replace Polyglass with 304 Stainless Steel

FOR HOOD SERIES: F-960 – 961

96-L648	48" Hood	Replace Polyglass with 304 Stainless Steel
96-L660	60" Hood	Replace Polyglass with 304 Stainless Steel
96-L672	72" Hood	Replace Polyglass with 304 Stainless Steel
96-L696	96" Hood	Replace Polyglass with 304 Stainless Steel

FOR HOOD SERIES: F-121, F-121T

Please contact JMPs Estimating Department for more information regarding this product.

*Lead times for stainless steel liners will differ from the standard lead times. Please call for information on the adjusted shipping dates.

Fume Hood Liners – Stainless Steel Liners

316 Stainless Steel/Square Cornered Liners (replacing standard 304 stainless)

316 stainless steel lining with coved corners. Excellent heat and corrosion resistance. Required for use with perchloric acid.

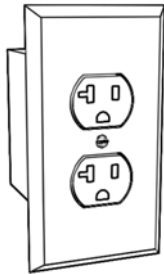
FOR HOOD SERIES: F-400 – 403

4-L836	36" Hood	Replace 304 SS with 316 SS with square corners
4-L848	48" Hood	Replace 304 SS with 316 SS with square corners
4-L860	60" Hood	Replace 304 SS with 316 SS with square corners
4-L872	72" Hood	Replace 304 SS with 316 SS with square corners
4-L896	96" Hood	Replace 304 SS with 316 SS with square corners

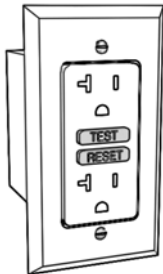
*Lead times for stainless steel liners will differ from the standard lead times. Please call for information on the adjusted shipping dates.

Electrical Outlets

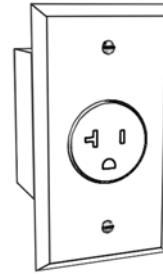
E01	125V 20 amp Duplex Receptacle	Prewired
E01SL	125V 20 amp Duplex Receptacle	Loose
E02	125V 20 amp Duplex Receptacle GFI	Prewired
E02SL	125V 20 amp Duplex Receptacle GFI	Loose
E03	125V 20 amp Simplex Receptacle	Prewired
E03SL	125V 20 amp Simplex Receptacle	Loose
E04	250V 20 amp Simplex Receptacle	Prewired
E04SL	250V 20 amp Simplex Receptacle	Loose
E05	250V 20 amp Duplex Receptacle	Prewired
E05SL	250V 20 amp Duplex Receptacle	Loose
E21	125V 20 amp Quad Receptacle	Prewired
E21SL	125V 20 amp Quad Receptacle	Loose



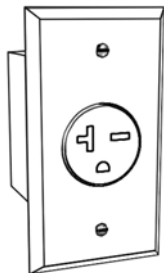
E01SL
125V Duplex
20 Amp



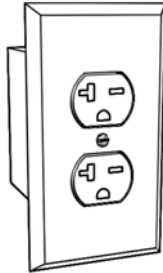
E02SL GFI
125V Duplex
20 Amp



E03SL
125V Simplex
20 Amp



E04SL
250V Simplex
20 Amp



E05SL
250V Duplex
20 Amp



E21SL
125V Quad
20 Amp

Outlet cannot be used
on G5 Hoods

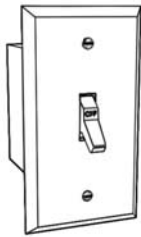
Fume Hood Electrical

Light Switch/Blower Switch Options

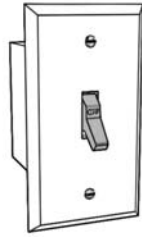
E09	125V 20 Amp Light Switch	Prewired
E09SL	125V 20 Amp Light Switch	Loose
E10	125V 20 Amp Light Switch with Pilot Light	Prewired
E10SL	125V 20 Amp Light Switch with Pilot Light	Loose
E11*	20 Amp Blower Switch – Manual Motor Starter	Prewired
E11SL*	20 Amp Blower Switch – Manual Motor Starter	Loose
E12*	20 Amp Blower Switch with Pilot Light – Manual Motor Starter	Prewired
E12SL*	20 Amp Blower Switch with Pilot Light – Manual Motor Starter	Loose
E40**	20 Amp Blower Control Switch	Prewired
E40SL**	20 Amp Blower Control Switch	Loose

*Note: For overload protection of blower motors rated at 120 VAC from .1 HP to 2 HP.

**Note: For pilot duty control of blower motor control circuit only.



E09 & E40
125V Light Switch
20 Amp



E10
125V Light Switch
with Pilot Light
20 Amp



E11



E12
Blower Switch
with Pilot Light
20 Amp

Standard Electrical Package (Prewired)

*Standard electrical packages include the following prewired components—

(1) 20 amp 125V Light Switch, (2) 20 amp 125V Duplex Recep. non-GFI, (1) Junction Box, T-8 Fluorescent Hood Fixture. Additional fixtures may be included in this package.

EL36	Standard Electrical Package	Prewired	36" Hood
EL48	Standard Electrical Package	Prewired	48" Hood
EL60	Standard Electrical Package	Prewired	60" Hood
EL72	Standard Electrical Package	Prewired	72" Hood
EL96	Standard Electrical Package	Prewired	96" Hood
EL120	Standard Electrical Package	Prewired	120" Hood
EL144	Standard Electrical Package	Prewired	144" Hood

Electrical Outlets – Explosion Proof

E06SL	125V 20 Amp Simplex Receptacle	Explosion Proof	Loose
E07SL	250V 20 Amp Simplex Receptacle	Explosion Proof	Loose
E08SL	125V 20 Amp Simplex Receptacle w/ GFI	Explosion Proof	Loose
E13SL	125-240V 20 Amp Blower Switch	Explosion Proof	Loose
E14SL	125V 20 Amp Light Switch	Explosion Proof	Loose



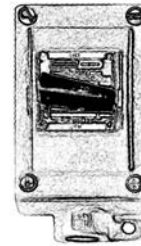
E06SL
125V 20 Amp Simplex Explosion Proof



E07SL
250V 20 Amp Simplex Explosion Proof



E08SL
125V 20 Amp GFI Simplex Explosion Proof



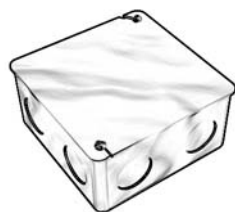
E13SL
20 Amp Blower Explosion Proof



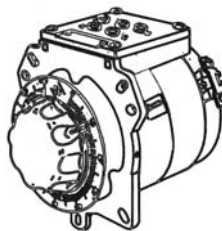
E14SL
125V 20 Amp Light Switch Explosion Proof

Explosion proof outlets cannot be used on G5 Hoods

E18-DPX	Black Receptacle Cover	Duplex	
E18-SWP	Black Receptacle Cover	Switch Plate	Single
E18-GFI	Black Receptacle Cover	GFI Duplex	
E18-SPX	Black Receptacle Cover	Simplex	
E17	Junction Box	Prewired	
E17SL	Junction Box	Not Wired	
E17-EP	Junction Box	Explosion Proof	
E16A-120	0-120V Variable Transformer	Shipped Loose	
E16A-240	0-240V Variable Transformer	Shipped Loose	



E17SL
Junction Box



E16A-120, 240
Variable Transformer

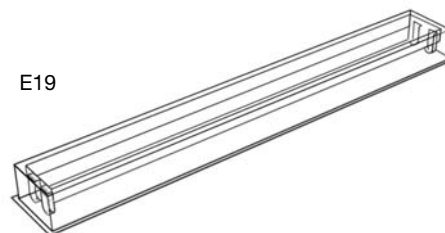
Fume Hood Electrical

Light Fixtures

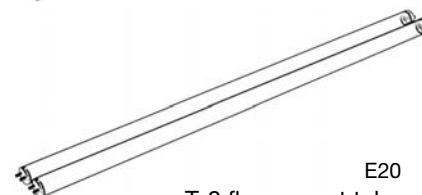
E15SL	150W Explosion Proof Light	Not Wired
E15VSL	150W Vapor Proof Light	Not Wired
E19-24B	24" Light Fixture	T-8
E19-36B	36" Light Fixture	T-8
E19-48B	48" Light Fixture	T-8
E20-24B	24" Fluorescent Tube	T-8 Bi-pin
E20-36B	36" Fluorescent Tube	T-8 Bi-pin
E20-48B	48" Fluorescent Tube	T-8 Bi-pin



E15SL
Explosion Proof
Light Fixture



E19



E20

T-8 fluorescent tube
(T-8 are more energy efficient
light tubes). Each type of E19
fixture requires two (2) tubes.

*T-8 Fixture does not include junction box, tubes or switches.

Number of fixtures per size hood

36" Hood – (1) 24" fixture	96" Hood – (2) 36" fixture
48" Hood – (1) 36" fixture	120" Hood – (2) 48" fixture
60" Hood – (1) 48" fixture	144" Hood – (2) 48" fixture
72" Hood – (1) 48" fixture	

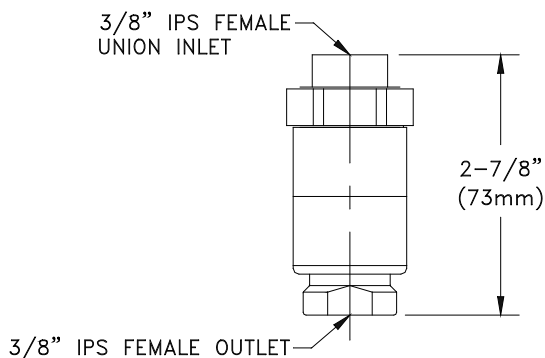
Number for Double Depth Hoods (F-250 – 253, F-292)

48" Hood – (2) 36" fixture	96" Hood – (4) 36" fixture
60" Hood – (2) 48" fixture	120" Hood – (4) 48" fixture
72" Hood – (2) 48" fixture	144" Hood – (4) 48" fixture

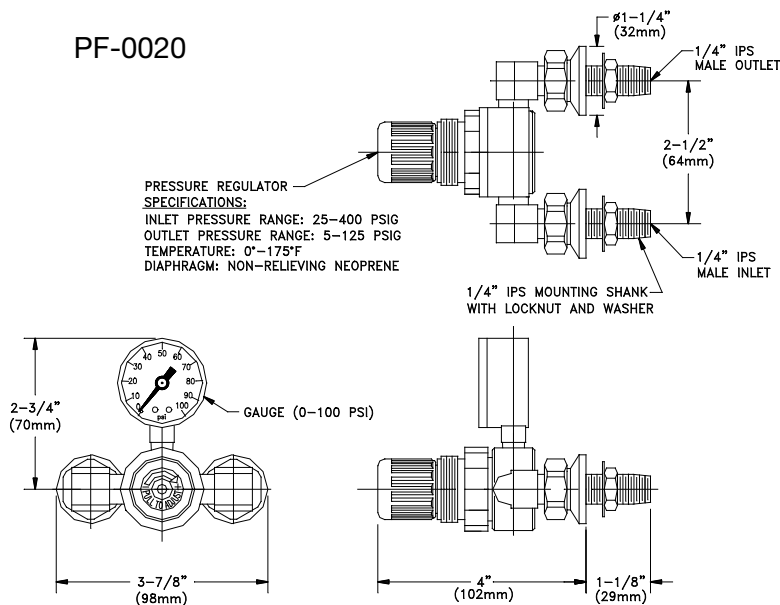
Fixture Accessories

PF-0010	Backflow Prevention	Check Valve	
PF-0020	Pressure Regulator	Vertical	Panel Mount
PF-0030	Quick Disconnect Interior Fitting		
PF-0040	Vacuum Breaker	External	Face Mount
PF-0050	Vacuum Breaker	External	Top Mount

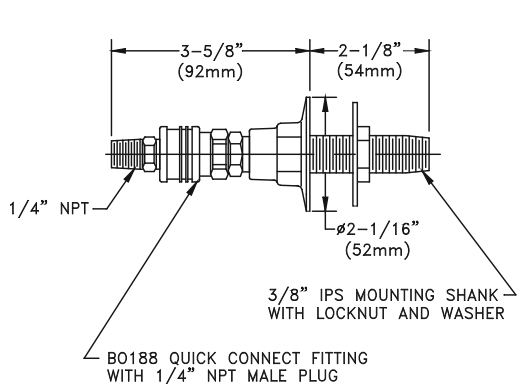
PF-0010



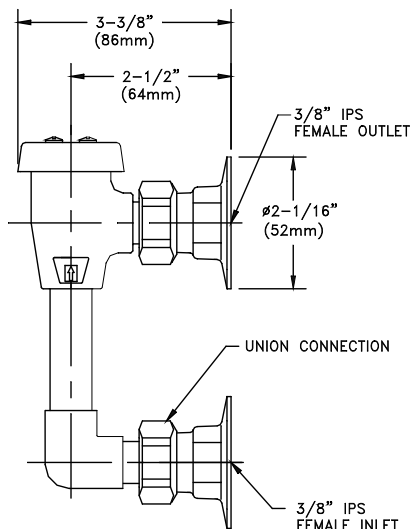
PF-0020



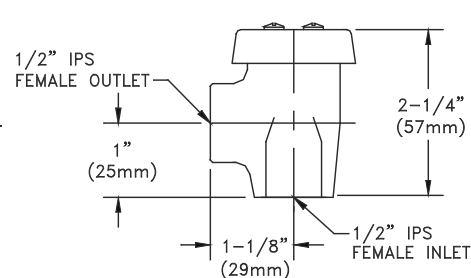
PF-0030



PF-0040



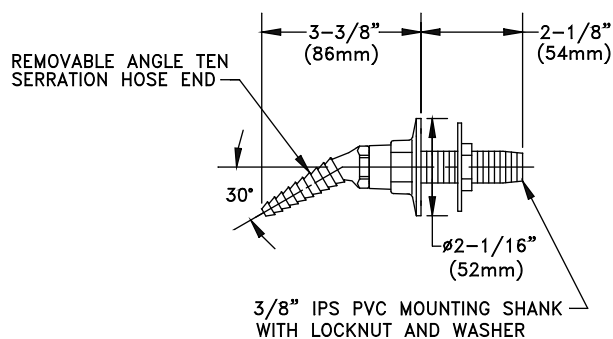
PF-0050



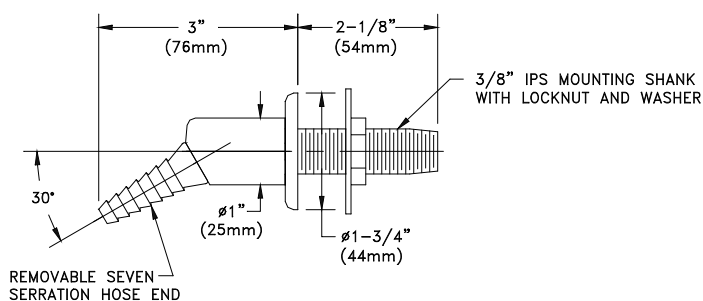
Fume Hood Plumbing – Outlet Options

Outlet Options

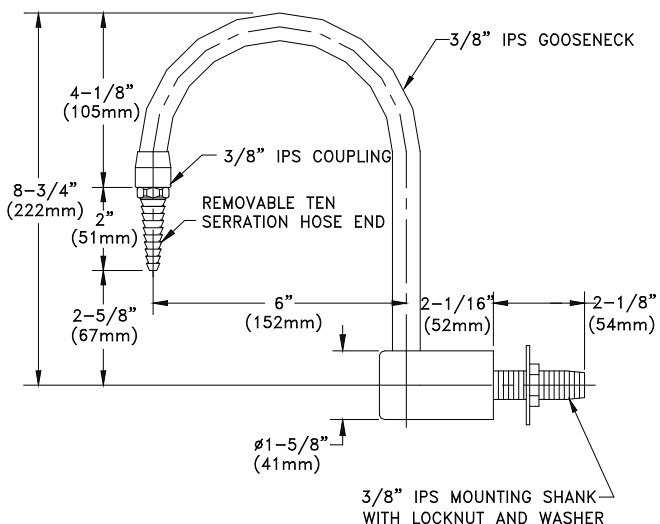
PF-0060	Outlet	Gas	Serrated	
PF-0060-VR	Outlet	Gas	Serrated	Vandal Resistant
PF-0070	Outlet	Gas	Serrated	HOPEC/ADA
PF-0080	Outlet	Steam	Serrated	
PF-0090	Outlet	Steam	Serrated	HOPEC/ADA
PF-0100	Outlet	Water	Serrated	
PF-0110	Outlet	Water	Gooseneck	
PF-0120	Outlet	Water	Gooseneck	VB
PF-0120-VR	Outlet	Water	Gooseneck	Vandal Resistant



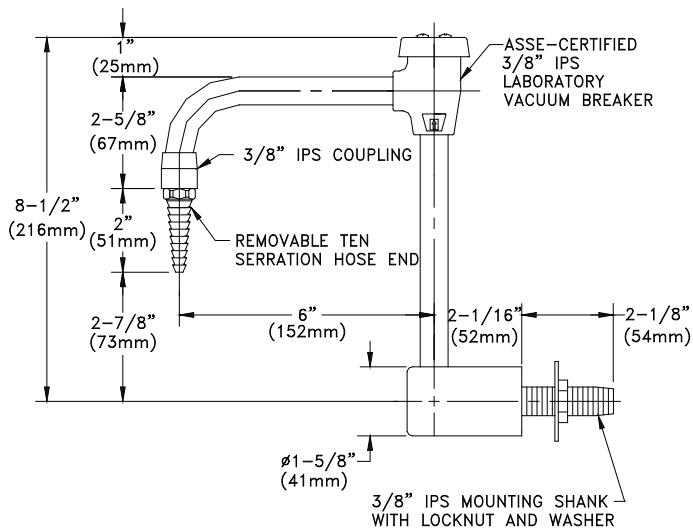
For use with outlets: PF-0060/0080/0100



For use with outlets: PF-0070/0090



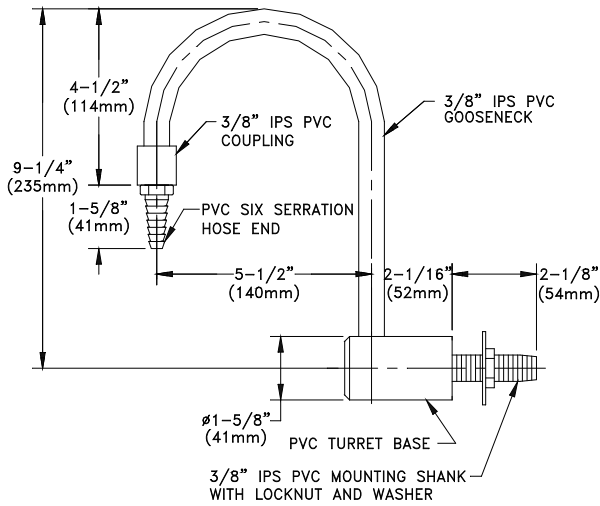
For use with outlets: PF-0110



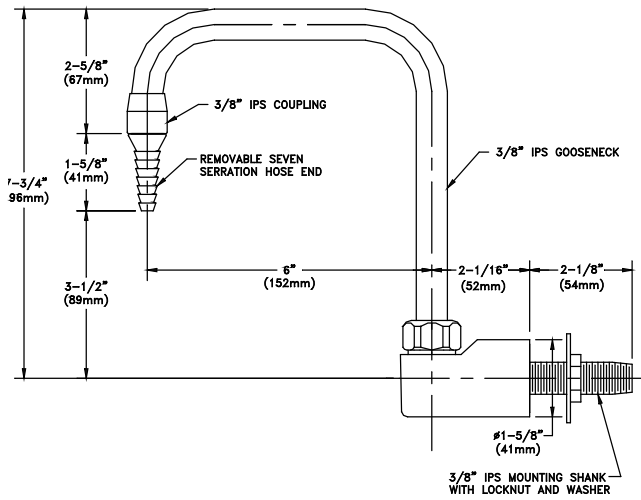
For use with outlets: PF-0120

Outlet Options

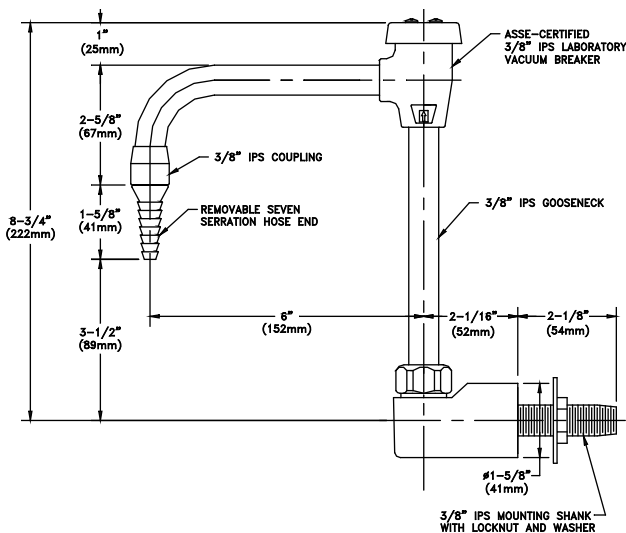
PF-0130	Outlet	Water	Gooseneck	Deion	Polypro
PF-0140	Outlet	Water	Gooseneck	Distilled	PVC
PF-0150	Outlet	Water	Gooseneck	HOPEC/ADA	
PF-0160	Outlet	Water	Gooseneck	HOPEC/ADA	VB
PF-0170	Outlet	Water	Right Angle		
PF-0180	Outlet	Water	Right Angle		VB



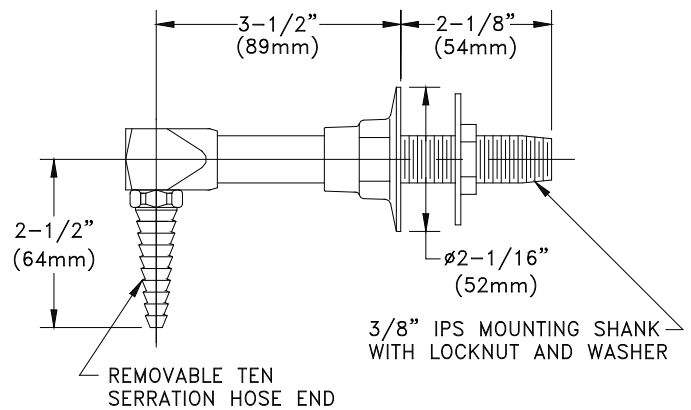
For use with outlets: PF-0130*/0140
*PVC areas are replaced with Polypropylene



For use with outlets: PF-0150



For use with outlets: PF-0160



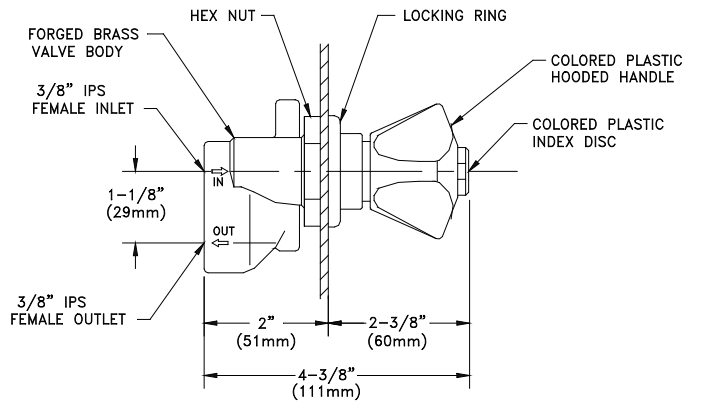
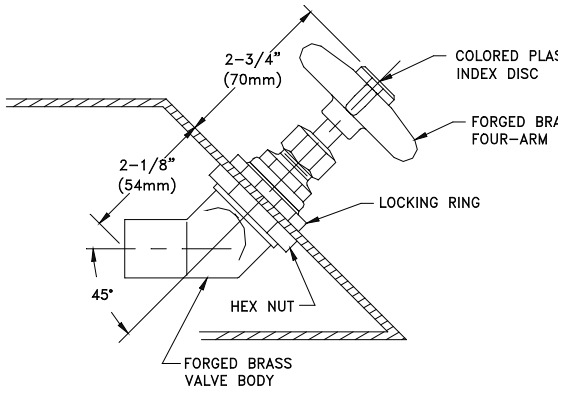
For use with outlets: PF-0170*
*Item made for front cupsink worktops
*PF-0180 with VB also available in lieu of gooseneck outlet on ADA units

Fume Hood Plumbing – Valve Options

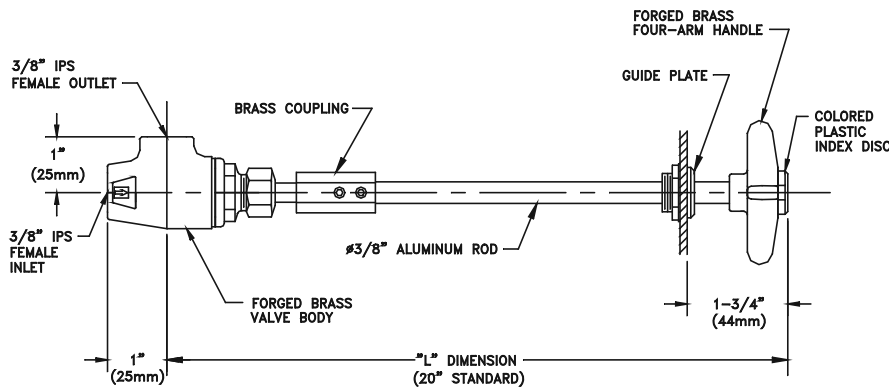
Valve Options

Valve	Front Load	Gas			
PF-0190	Valve	Front Load	Gas		
PF-0200	Valve	Front Load	Gas	Fine Control	
PF-0210	Valve	Front Load	Gas	HOPEC/ADA	
PF-0215	Valve	Front Load	Gas	STRA	
PF-0220	Valve	Front Load	H&C Mix		
PF-0230	Valve	Front Load	H&C Mix	HOPEC/ADA	
PF-0240	Valve	Front Load	Steam		
PF-0250	Valve	Front Load	Steam	HOPEC/ADA	
PF-0260	Valve	Front Load	Water		
PF-0270	Valve	Front Load	Water	HOPEC/ADA	
PF-0280	Valve	Rod Driven	Gas		
PF-0280-VR	Valve	Rod Driven	Gas	Vandal Resistant	
PF-0290	Valve	Rod Driven	Gas	Fine Control	
PF-0300	Valve	Rod Driven	Gas	Lever	
PF-0310	Valve	Rod Driven	H&C Mix		
PF-0320	Valve	Rod Driven	H&C Mix	Lever	
PF-0330	Valve	Rod Driven	Steam		
PF-0340	Valve	Rod Driven	Steam	Lever	
PF-0350	Valve	Rod Driven	Water		
PF-0350-VR	Valve	Rod Driven	Water	Vandal Resistant	
PF-0360	Valve	Rod Driven	Water	Deion	Polypro
PF-0370	Valve	Rod Driven	Water	Distilled	PVC
PF-0380	Valve	Rod Driven	Water	Lever	

Valve Options

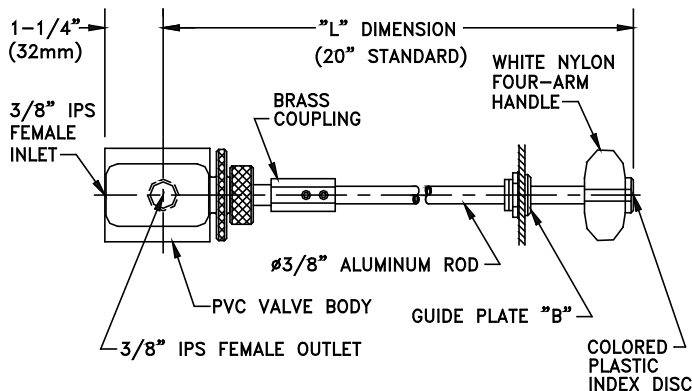
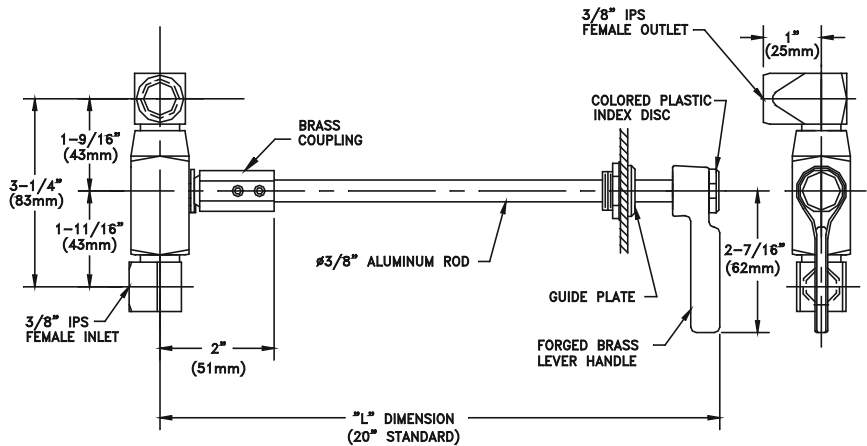


For use with valves:
PF-0190/0200/0220/0240/0260



For use with valves:
PF-0280/0290/0310/0330/0350

For use with valves:
PF-0300/0320/0340/0380PF-0190



For use with valves:
PF-0360/0370

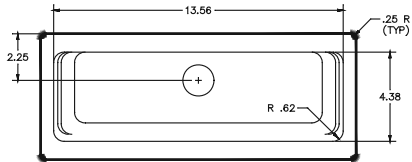
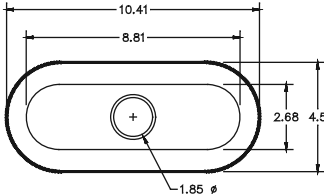
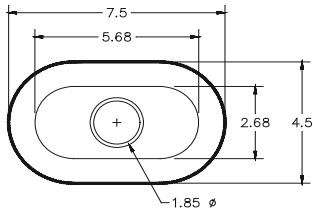
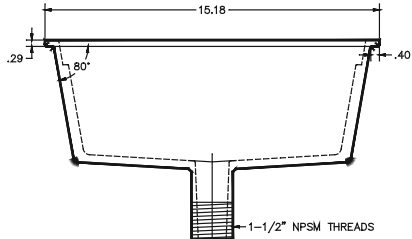
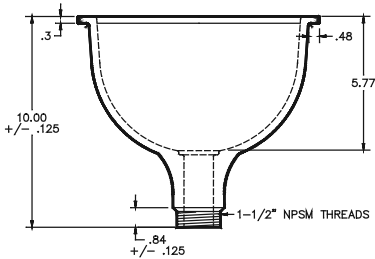
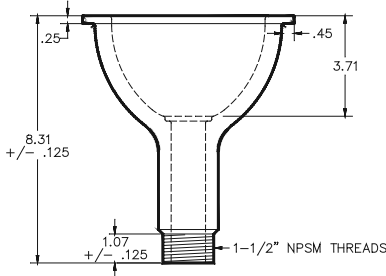
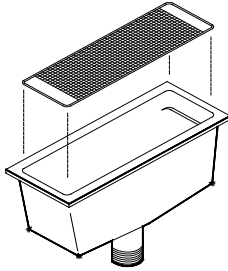
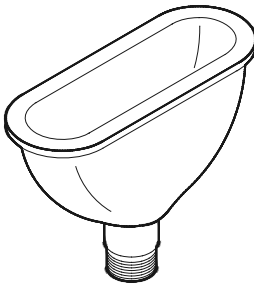
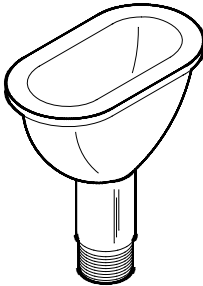
Fume Hood Plumbing – Cupsink Options

Cupsink Options

CS01-6-B	3"x 6" Epoxy	Oval Mount	Black
CS01-6-G	3"x 6" Epoxy	Oval Mount	Pearl Gray
CS01-6-M	3"x 6" Epoxy	Oval Mount	Platinum Gray
CS01-9-B	3"x 9" Epoxy	Oval Mount	Black
CS01-9-G	3"x 9" Epoxy	Oval Mount	Pearl Gray
CS01-9-M	3"x 9" Epoxy	Oval Mount	Platinum Gray
CS02-6-A	3"x 6" Glass	Oval Mount	
CS02-9-A	3"x 9" Glass	Oval Mount	
CS03-6-S	3"x 6" 316 Stainless Steel	Oval Mount	
CS03-9-S	3"x 9" 316 Stainless Steel	Oval Mount	
CS04-6-B	3"x 6" Polypropylene	Oval Mount	Black
CS04-9-B	3"x 9" Polypropylene	Oval Mount	Black
CS05-5-B	5"x 14" Polypropylene	Rectangle	Black
CS06-6-B	3"x 6" Polypropylene	Oval Wall Mount with 90° elbow and backnut	Black
CS07-5-B	5"x 14" Polypropylene	Rectangle Wall Mount with 90°elbow and backnut 316 stainless steel screen support bracket	Black
CS07-5-S	5"x 14" 316 Stainless	Rectangle Wall Mount with 90°elbow and backnut 316 stainless steel screen support bracket	
CS08-5-B	5"x 14" Polypropylene	Rectangle Deck Mount 316 stainless steel screen support bracket	Black
CS08-5-S	5"x 14" 316 Stainless	Rectangle Deck Mount 316 stainless steel screen support bracket	

*Appropriate cupsink(s) price included with worktop purchase.

Cupsink Diagrams



3 x 6 Cupsink Dimensions

3 x 9 Cupsink Dimensions

5 x 14 Cupsink Dimensions

Fume Hood Plumbing – Pre-Piping Plumbing Fixtures

Pre-Piping Plumbing Fixtures

PP-FLM	Piping per Fitting, Front Load, Mix, Simple
PP-FLS	Piping per Fitting, Front Load, Stainless
PP-FLT	Piping per Fitting, Front Load, Telfon
PP-FLV	Piping per Fitting, Front Load, Simple *Cold water, hot water, air, vacuum, nitrogen, hydrogen, steam 1/2" Type L hard copper tubing
PP-FLW	Piping per Fitting, Front Load, Ultra Pure *Argon, pure gas 1/2" ACR cleaned and capped copper tubing
PP-FLX	Piping per Fitting, Front Load, Black Iron *Gas, natural gas, steam 3/8" Schedule 40 black iron pipe
PP-FLY	Piping per Fitting, Front Load, PVC, Distilled *Distilled water 1/2" Schedule 80 PVC tubing
PP-FLZ	Piping per Fitting, Front Load, PolyPro *Deionized water, glycol supply, glycol return 1/2" Schedule 80 Polypropylene tubing
PP-RDM	Piping per Fitting, Rod Driven, Mix, Simple
PP-RDS	Piping per Fitting, Rod Driven, Stainless
PP-RDT	Piping per Fitting, Rod Driven, Mix, Teflon
PP-RDV	Piping per Fitting, Rod Driven, Copper *Cold water, hot water, air, vacuum, nitrogen, hydrogen, steam 1/2" Type L hard copper tubing
PP-RDW	Piping per Fitting, Rod Driven, Ultra Pure *Argon, pure gas 1/2" ACR cleaned and capped copper tubing
PP-RDX	Piping per Fitting, Rod Driven, Black Iron *Gas, natural gas 3/8" Schedule 40 black iron pipe
PP-RDY	Piping per Fitting, Rod Driven, PVC, Distilled *Distilled water 1/2" Schedule 80 PVC tubing
PP-RDZ	Piping per Fitting, Rod Driven, PolyPro *Deionized water, glycol supply, glycol return 1/2" Schedule 80 Polypropylene tubing

*Note: These services are for general use only. Local plumbing codes supercede what is written here. It is ultimately the responsibility of the Dealer to interpret local plumbing codes.

Pre-Piping Plumbing Fixtures

PP-A0001	Pre-plumbing for external vacuum breaker
PP-A0002	Pre-plumbing, Single Point Conn, Mixing, Simple
PP-A0003	Pre-plumbing, Single Point Conn, Teflon
PP-A0004	Pre-plumbing, Single Point Conn, Simple
PP-A0005	Pre-plumbing, Single Point Conn, Stainless
PP-A0006	Pre-plumbing, Single Point Conn, Ultra Pure
PP-A0007	Pre-plumbing, Single Point Conn, Black Iron
PP-A0008	Pre-plumbing, Single Point Conn, PVC
PP-A0009	Pre-plumbing, Single Point Conn, Polypro
PP-A0010	Pre-plumbing, Face Mounted Pressure Regulator
PP-A0011	Insulated Piping, per Fitting

Fume Hood Plumbing

Standard Indexing

<u>FIXTURE USE</u>	<u>COLOR</u>	<u>ABBREV.</u>
Air	Orange	AIR
Cold Water	Green	CW
De-ionized Water	White	DI
Distilled Water	White	DW
Gas	Blue	GAS
Hot Water	Red	HW
Hydrogen	Pink	HYD
Nitrogen	Brown	NIT
Oxygen	Lt. Green	OXY
Steam	Black	STM
Vacuum	Yellow	VAC

Other Indexing

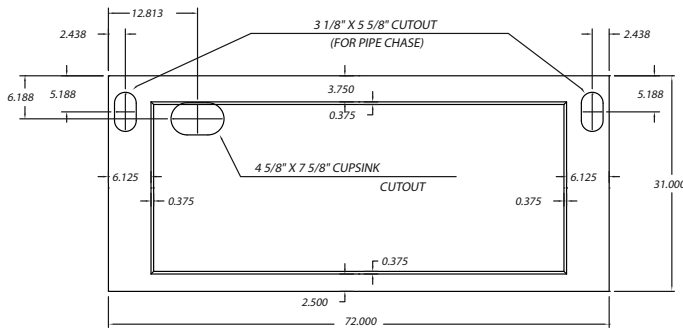
<u>FIXTURE USE</u>	<u>COLOR</u>	<u>ABBREV.</u>
Acetylene	Violet	C2H2
Actinium	Silver	AC
Ammonia	Lt. Green	NH3
Argon	Violet	AR
Aspirator	Green	ASP
Butane	Lt. Blue	BUT
Carbon Dioxide	Pink	C02
Chilled Water	Green	CH WAT
Chilled Water Supply	Green	CWS
Chilled Water Return	Green	CWR
Cylinder Gas	Lt. Blue	CYL GAS
Glycol Supply	Lt. Green	GYL SUP
Glycol Return	Lt. Green	GYL RET
Helium	Black	HE
Hydrogen	Pink	H2
Hydrogen	Lt. Blue	H
Hydrogen	Lt. Blue	H2
Hydrogen	Lt. Blue	HYD
Hydrogen Sulfite	Black	H2S
Ice Water	White	IW
Industrial Cold Water	Green	ICW
Industrial Hot Water	Red	IHW
Methane	Lt. Blue	CH4
Natural Gas	White	NAT GAS
Nitrogen	Gray	NIT
Nitrogen	Gray	N2
Nitrogen	Brown	N
Nitrogen	Brown	N2
Nitrous Oxide	Lt. Green	N20
Oxygen	Lt. Green	O2
Phosphorus	Tan	P
Propane	Pink	PRO
Reverse Osmosis	White	RO
Special Gas	Lt. Blue	SG
Sulphur Dioxide	Tan	S02

Worktop Diagrams

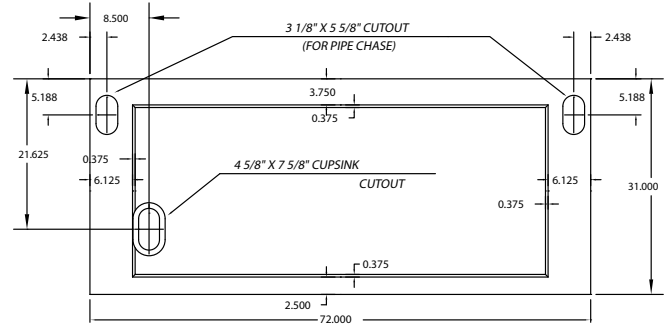
Bench worktops feature 1/2" dished work area, 31" depth and 1 1/4" edge thickness. Extra deep depths of 37" are available. Cutouts are sized for 3"x 6" cupsinks. Specify if larger cupsink is required.

*Note: Cutout and cupsink prices are included with worktop purchase.

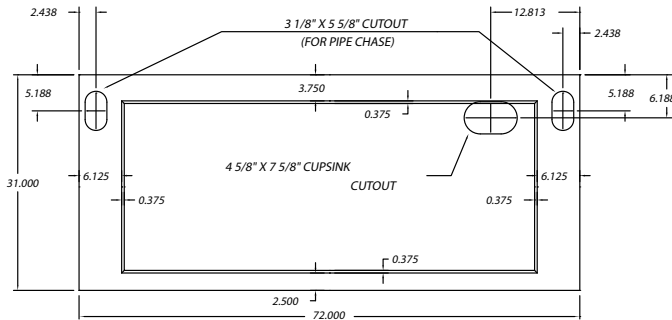
Worktop with left rear cutout



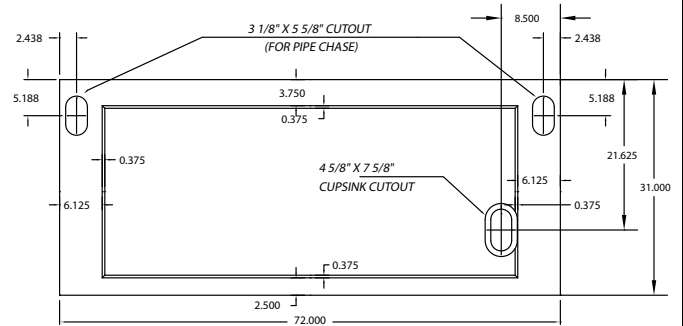
ADA Worktop with left front cutout



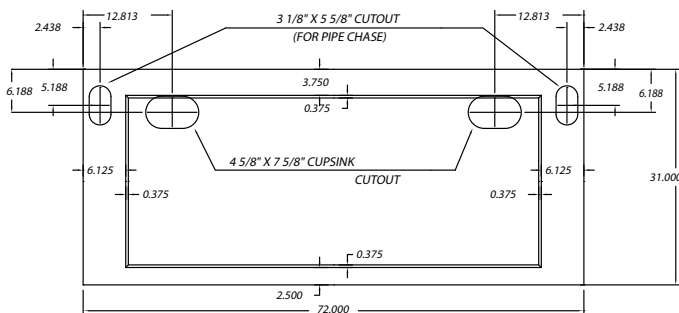
Worktop with right rear cutout



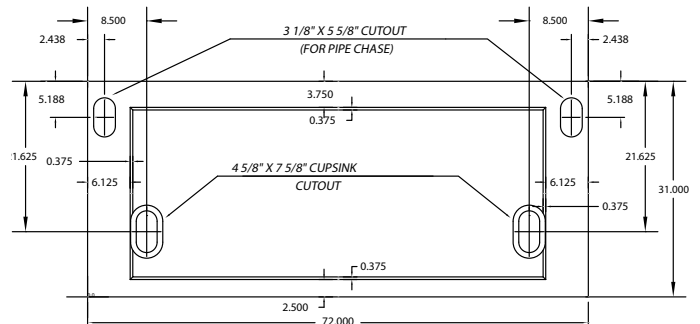
ADA Worktop with right front cutout



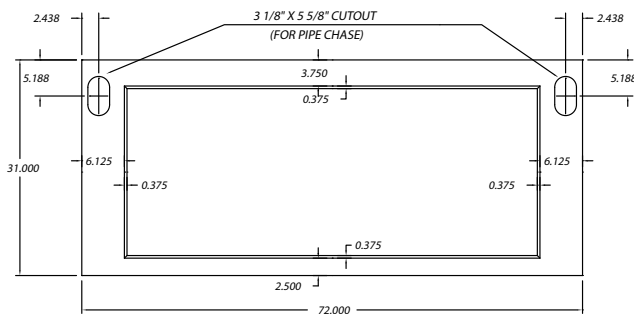
Worktop with both rear cutout



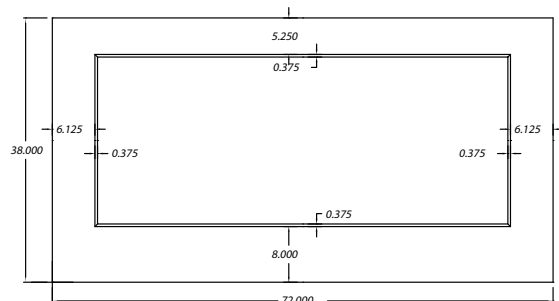
ADA Worktop with both front cutout



Worktop with no cutout



Walk-In Floor



Walk-In floors feature 1/2" dished work area, 38" depth and 1 1/4" edge thickness. Extra deep floors with a 44" depth are available. Designed to slide into the walk-In hood interior.

Fume Hood Accessories – Worktops

Workfloor – Walk-In Hoods

WI-48-B	48" Epoxy Floor	Black
WI-48-S	48" Stainless Steel Floor	304 Stainless Steel
WI-60-B	60" Epoxy Floor	Black
WI-60-S	60" Stainless Steel Floor	304 Stainless Steel
WI-72-B	72" Epoxy Floor	Black
WI-72-S	72" Stainless Steel Floor	304 Stainless Steel
WI-96-B	96" Epoxy Floor	Black
WI-96-S	96" Stainless Steel Floor	304 Stainless Steel
WI-120-B	120" Epoxy Floor	Black
WI-120-S	120" Stainless Steel Floor	304 Stainless Steel
WI-144-B	144" Epoxy Floor	Black
WI-144-S	144" Stainless Steel Floor	304 Stainless Steel

Worktop – Without Cupsink

WN-36-B	36" Epoxy Top	No Cutout	Black
WN-36-S	36" Stainless Steel Top	No Cutout	304 Stainless Steel
WN-48-B	48" Epoxy Top	No Cutout	Black
WN-48-S	48" Stainless Steel Top	No Cutout	304 Stainless Steel
WN-60-B	60" Epoxy Top	No Cutout	Black
WN-60-S	60" Stainless Steel Top	No Cutout	304 Stainless Steel
WN-72-B	72" Epoxy Top	No Cutout	Black
WN-72-S	72" Stainless Steel Top	No Cutout	304 Stainless Steel
WN-96-B	96" Epoxy Top	No Cutout	Black
WN-96-S	96" Stainless Steel Top	No Cutout	304 Stainless Steel
WN-120-B	120" Epoxy Top	No Cutout	Black
WN-120-S	120" Stainless Steel Top	No Cutout	304 Stainless Steel
WN-144-B	144" Epoxy Top	No Cutout	Black
WN-144-S	144" Stainless Steel Top	No Cutout	304 Stainless Steel

Worktop – With Left Rear Cupsink

WL-36-B	36" Epoxy Top	Left Rear Cutout	Black
WL-36-S	36" Stainless Steel Top	Left Rear Cutout	304 Stainless Steel
WL-48-B	48" Epoxy Top	Left Rear Cutout	Black
WL-48-S	48" Stainless Steel Top	Left Rear Cutout	304 Stainless Steel
WL-60-B	60" Epoxy Top	Left Rear Cutout	Black
WL-60-S	60" Stainless Steel Top	Left Rear Cutout	304 Stainless Steel
WL-72-B	72" Epoxy Top	Left Rear Cutout	Black
WL-72-S	72" Stainless Steel Top	Left Rear Cutout	304 Stainless Steel
WL-96-B	96" Epoxy Top	Left Rear Cutout	Black
WL-96-S	96" Stainless Steel Top	Left Rear Cutout	304 Stainless Steel
WL-120-B	120" Epoxy Top	Left Rear Cutout	Black
WL-120-S	120" Stainless Steel Top	Left Rear Cutout	304 Stainless Steel
WL-144-B	144" Epoxy Top	Left Rear Cutout	Black
WL-144-S	144" Stainless Steel Top	Left Rear Cutout	304 Stainless Steel

Worktop – With Right Rear Cupsink

WR-36-B	36" Epoxy Top	Right Rear Cutout	Black
WR-36-S	36" Stainless Steel Top	Right Rear Cutout	304 Stainless Steel
WR-48-B	48" Epoxy Top	Right Rear Cutout	Black
WR-48-S	48" Stainless Steel Top	Right Rear Cutout	304 Stainless Steel
WR-60-B	60" Epoxy Top	Right Rear Cutout	Black
WR-60-S	60" Stainless Steel Top	Right Rear Cutout	304 Stainless Steel
WR-72-B	72" Epoxy Top	Right Rear Cutout	Black
WR-72-S	72" Stainless Steel Top	Right Rear Cutout	304 Stainless Steel
WR-96-B	96" Epoxy Top	Right Rear Cutout	Black
WR-96-S	96" Stainless Steel Top	Right Rear Cutout	304 Stainless Steel
WR-120-B	120" Epoxy Top	Right Rear Cutout	Black
WR-120-S	120" Stainless Steel Top	Right Rear Cutout	304 Stainless Steel
WR-144-B	144" Epoxy Top	Right Rear Cutout	Black
WR-144-S	144" Stainless Steel Top,	Right Rear Cutout	304 Stainless Steel

Fume Hood Accessories – Worktops

Worktop – With Both Rear Cupsinks

WB-36-B	36" Epoxy Top	Both Cutout	Black
WB-36-S	36" Stainless Steel Top	Both Cutout	304 Stainless Steel
WB-48-B	48" Epoxy Top	Both Cutout	Black
WB-48-S	48" Stainless Steel Top	Both Cutout	304 Stainless Steel
WB-60-B	60" Epoxy Top	Both Cutout	Black
WB-60-S	60" Stainless Steel Top	Both Cutout	304 Stainless Steel
WB-72-B	72" Epoxy Top	Both Cutout	Black
WB-72-S	72" Stainless Steel Top	Both Cutout	304 Stainless Steel
WB-96-B	96" Epoxy Top	Both Cutout	Black
WB-96-S	96" Stainless Steel Top	Both Cutout	304 Stainless Steel
WB-120-B	120" Epoxy Top	Both Cutout	Black
WB-120-S	120" Stainless Steel Top	Both Cutout	304 Stainless Steel
WB-144-B	144" Epoxy Top	Both Cutout	Black
WB-144-S	144" Stainless Steel Top	Both Cutout	304 Stainless Steel

Deep Workfloor – Walk-In Hoods

WI-48D30B	48" Epoxy Floor	Deep	Black
WI-48D30S	48" Stainless Steel Floor	Deep	304 Stainless Steel
WI-60D30B	60" Epoxy Floor	Deep	Black
WI-60D30S	60" Stainless Steel Floor	Deep	304 Stainless Steel
WI-72D30B	72" Epoxy Floor	Deep	Black
WI-72D30S	72" Stainless Steel Floor	Deep	304 Stainless Steel
WI-96D30B	96" Epoxy Floor	Deep	Black
WI-96D30S	96" Stainless Steel Floor	Deep	304 Stainless Steel
WI-120D30B	120" Epoxy Floor	Deep	Black
WI-120D30S	120" Stainless Steel Floor	Deep	304 Stainless Steel
WI-144D30B	144" Epoxy Floor	Deep	Black
WI-144D30S	144" Stainless Steel Floor	Deep	304 Stainless Steel

Fume Hood Accessories – Worktops

Fume Hood Accessories – Worktops

Deep Worktop – Without Cupsink

WN-48D30B	48" Epoxy	Deep	No Cutout	Black
WN-48D30S	48" Stainless Steel	Deep	No Cutout	304 Stainless Steel
WN-60D30B	60" Epoxy	Deep	No Cutout	Black
WN-60D30S	60" Stainless Steel	Deep	No Cutout	304 Stainless Steel
WN-72D30B	72" Epoxy	Deep	No Cutout	Black
WN-72D30S	72" Stainless Steel	Deep	No Cutout	304 Stainless Steel
WN-96D30B	96" Epoxy	Deep	No Cutout	Black
WN-96D30S	96" Stainless Steel	Deep	No Cutout	304 Stainless Steel
WN-120D30B	120" Epoxy	Deep	No Cutout	Black
WN-120D30S	120" Stainless Steel	Deep	No Cutout	304 Stainless Steel
WN-144D30B	144" Epoxy	Deep	No Cutout	Black
WN-144D30S	144" Stainless Steel	Deep	No Cutout	304 Stainless Steel

Deep Worktop – With Left Rear Cupsink

WL-48D30B	48" Epoxy	Deep	Left Rear Cutout	Black
WL-48D30S	48" Stainless Steel	Deep	Left Rear Cutout	304 Stainless Steel
WL-60D30B	60" Epoxy	Deep	Left Rear Cutout	Black
WL-60D30S	60" Stainless Steel	Deep	Left Rear Cutout	304 Stainless Steel
WL-72D30B	72" Epoxy	Deep	Left Rear Cutout	Black
WL-72D30S	72" Stainless Steel	Deep	Left Rear Cutout	304 Stainless Steel
WL-96D30B	96" Epoxy	Deep	Left Rear Cutout	Black
WL-96D30S	96" Stainless Steel	Deep	Left Rear Cutout	304 Stainless Steel
WL-120D30B	120" Epoxy	Deep	Left Rear Cutout	Black
WL-120D30S	120" Stainless Steel	Deep	Left Rear Cutout	304 Stainless Steel
WL-144D30B	144" Epoxy	Deep	Left Rear Cutout	Black
WL-144D30S	144" Stainless Steel	Deep	Left Rear Cutout	304 Stainless Steel

Fume Hood Accessories – Worktops

Deep Worktop – With Right Rear Cupsink

WR-48D30B	48" Epoxy	Deep	Right Rear Cutout	Black
WR-48D30S	48" Stainless Steel	Deep	Right Rear Cutout	304 Stainless Steel
WR-60D30B	60" Epoxy	Deep	Right Rear Cutout	Black
WR-60D30S	60" Stainless Steel	Deep	Right Rear Cutout	304 Stainless Steel
WR-72D30B	72" Epoxy	Deep	Right Rear Cutout	Black
WR-72D30S	72" Stainless Steel	Deep	Right Rear Cutout	304 Stainless Steel
WR-96D30B	96" Epoxy	Deep	Right Rear Cutout	Black
WR-96D30S	96" Stainless Steel	Deep	Right Rear Cutout	304 Stainless Steel
WR-120D30B	120" Epoxy	Deep	Right Rear Cutout	Black
WR-120D30S	120" Stainless Steel	Deep	Right Rear Cutout	304 Stainless Steel
WR-144D30B	144" Epoxy	Deep	Right Rear Cutout	Black
WR-144D30S	144" Stainless Steel	Deep	Right Rear Cutout	304 Stainless Steel

Deep Worktop – With Both Rear Cupsink

WB-48D30B	48" Epoxy	Deep	Both Cutout	Black
WB-48D30S	48" Stainless Steel	Deep	Both Cutout	304 Stainless Steel
WB-60D30B	60" Epoxy	Deep	Both Cutout	Black
WB-60D30S	60" Stainless Steel	Deep	Both Cutout	304 Stainless Steel
WB-72D30B	72" Epoxy	Deep	Both Cutout	Black
WB-72D30S	72" Stainless Steel	Deep	Both Cutout	304 Stainless Steel
WB-96D30B	96" Epoxy	Deep	Both Cutout	Black
WB-96D30S	96" Stainless Steel	Deep	Both Cutout	304 Stainless Steel
WB-120D30B	120" Epoxy	Deep	Both Cutout	Black
WB-120D30S	120" Stainless Steel	Deep	Both Cutout	304 Stainless Steel
WB-144D30B	144" Epoxy	Deep	Both Cutout	Black
WB-144D30S	144" Stainless Steel	Deep	Both Cutout	304 Stainless Steel

ADA Worktop – With Left Front Cupsink

WAL-48B	48" ADA Epoxy	Left Front Cutout	Black
WAL-48S	48" ADA Stainless Steel	Left Front Cutout	304 Stainless Steel
WAL-60B	60" ADA Epoxy	Left Front Cutout	Black
WAL-60S	60" ADA Stainless Steel	Left Front Cutout	304 Stainless Steel
WAL-72B	72" ADA Epoxy	Left Front Cutout	Black
WAL-72S	72" ADA Stainless Steel	Left Front Cutout	304 Stainless Steel
WAL-96B	96" ADA Epoxy	Left Front Cutout	Black
WAL-96S	96" ADA Stainless Steel	Left Front Cutout	304 Stainless Steel

ADA Worktop – With Right Front Cupsink

WAR-48B	48" ADA Epoxy	Right Front Cutout	Black
WAR-48S	48" ADA Stainless Steel	Right Front Cutout	304 Stainless Steel
WAR-60B	60" ADA Epoxy	Right Front Cutout	Black
WAR-60S	60" ADA Stainless Steel	Right Front Cutout	304 Stainless Steel
WAR-72B	72" ADA Epoxy	Right Front Cutout	Black
WAR-72S	72" ADA Stainless Steel	Right Front Cutout	304 Stainless Steel
WAR-96B	96" ADA Epoxy	Right Front Cutout	Black
WAR-96S	96" ADA Stainless Steel	Right Front Cutout	304 Stainless Steel

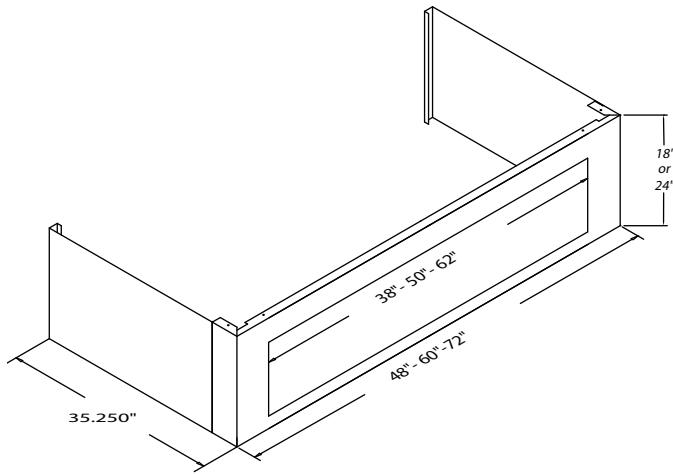
Fume Hood Accessories – Worktops

ADA Worktop – With Both Front Cupsink

WAB-48B	48" ADA Epoxy	Both Cutout	Black
WAB-48S	48" ADA Stainless Steel	Both Cutout	304 Stainless Steel
WAB-60B	60" ADA Epoxy	Both Cutout	Black
WAB-60S	60" ADA Stainless Steel	Both Cutout	304 Stainless Steel
WAB-72B	72" ADA Epoxy	Both Cutout	Black
WAB-72S	72" ADA Stainless Steel	Both Cutout	304 Stainless Steel
WAB-96B	96" ADA Epoxy	Both Cutout	Black
WAB-96S	96" ADA Stainless Steel	Both Cutout	304 Stainless Steel

Ceiling Soffit Diagrams

Ceiling Soffit with Hinged Access Panel

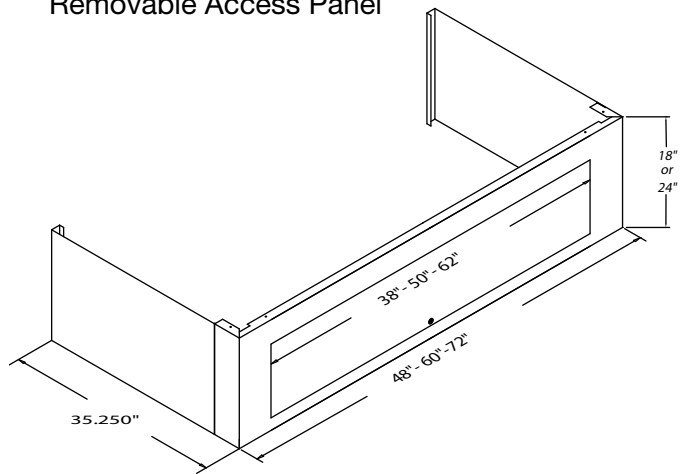


Hinged Access Panel units come with a SouthCo Hex Key Latch and wire pull.

Example: CE048P-HA-18

Hinged Panel Soffit, Painted, 48" width x 18" height

Ceiling Soffit with Removable Access Panel

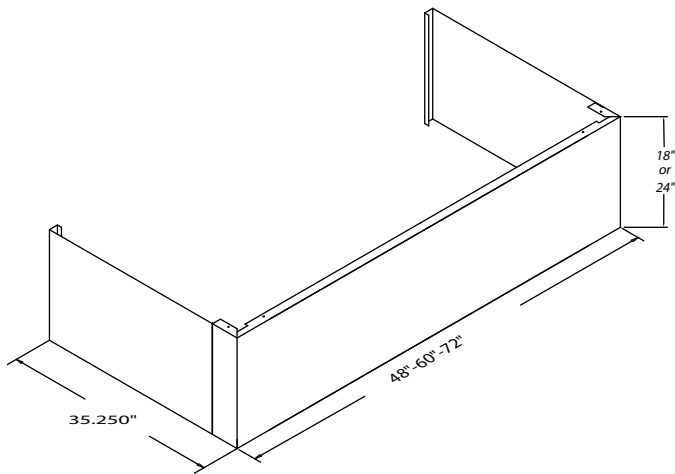


Removable Access Panels are held in place by screws.

Example: CE0120P-RA-24

Removable Panel Soffit, Painted, 120" width x 24" height (Two 60" soffits adjoined)

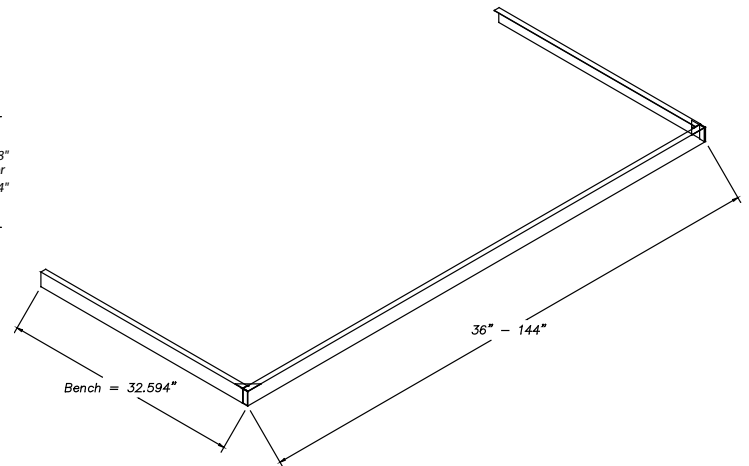
Ceiling Soffit without Access Panel



Example: CE072S-NA-18

No Access Panel Soffit, Stainless Steel, 72" width x 18" height

Ceiling Soffit Trim



Example: CETRIM-P96

Hinged Panel Soffit, Painted, 96" width

*NOTE: For soffits wider than 96" there will be two (2) soffits adjacent of the appropriate size. For example: 144" Fume hood, two (2) 72" soffits adjoined. Please allow clearance height for the soffit so as not to have the ceiling height lower than the hinged point of the access panel to prevent opening.

Fume Hood Accessories – Ceiling Soffits

Ceiling Soffits – With Hinged Access Panel

Painted Soffit Units

CE036P-HA-18	36" Soffit	Hinged	18" Height
CE036P-HA-24	36" Soffit	Hinged	24" Height
CE048P-HA-18	48" Soffit	Hinged	18" Height
CE048P-HA-24	48" Soffit	Hinged	24" Height
CE060P-HA-18	60" Soffit	Hinged	18" Height
CE060P-HA-24	60" Soffit	Hinged	24" Height
CE072P-HA-18	72" Soffit	Hinged	18" Height
CE072P-HA-24	72" Soffit	Hinged	24" Height
CE096P-HA-18	96" Soffit	Hinged	18" Height
CE096P-HA-24	96" Soffit	Hinged	24" Height
CE120P-HA-18	120" Soffit	Hinged	18" Height
CE120P-HA-24	120" Soffit	Hinged	24" Height
CE144P-HA-18	144" Soffit	Hinged	18" Height
CE144P-HA-24	144" Soffit	Hinged	24" Height

304 Stainless Steel Soffit Units

CE036S-HA-18	36" Soffit	Hinged	18" Height
CE036S-HA-24	36" Soffit	Hinged	24" Height
CE048S-HA-18	48" Soffit	Hinged	18" Height
CE048S-HA-24	48" Soffit	Hinged	24" Height
CE060S-HA-18	60" Soffit	Hinged	18" Height
CE060S-HA-24	60" Soffit	Hinged	24" Height
CE072S-HA-18	72" Soffit	Hinged	18" Height
CE072S-HA-24	72" Soffit	Hinged	24" Height
CE096S-HA-18	96" Soffit	Hinged	18" Height
CE096S-HA-24	96" Soffit	Hinged	24" Height
CE120S-HA-18	120" Soffit	Hinged	18" Height
CE120S-HA-24	120" Soffit	Hinged	24" Height
CE144S-HA-18	144" Soffit	Hinged	18" Height
CE144S-HA-24	144" Soffit	Hinged	24" Height

Ceiling Soffits – With Removable Access Panel

Painted Soffit Units

CE036P-RA-18	36" Soffit	Removable	18" Height
CE036P-RA-24	36" Soffit	Removable	24" Height
CE048P-RA-18	48" Soffit	Removable	18" Height
CE048P-RA-24	48" Soffit	Removable	24" Height
CE060P-RA-18	60" Soffit	Removable	18" Height
CE060P-RA-24	60" Soffit	Removable	24" Height
CE072P-RA-18	72" Soffit	Removable	18" Height
CE072P-RA-24	72" Soffit	Removable	24" Height
CE096P-RA-18	96" Soffit	Removable	18" Height
CE096P-RA-24	96" Soffit	Removable	24" Height
CE120P-RA-18	120" Soffit	Removable	18" Height
CE120P-RA-24	120" Soffit	Removable	24" Height
CE144P-RA-18	144" Soffit	Removable	18" Height
CE144P-RA-24	144" Soffit	Removable	24" Height

304 Stainless Steel Soffit Units

CE036S-RA-18	36" Soffit	Removable	18" Hgt
CE036S-RA-24	36" Soffit	Removable	24" Hgt
CE048S-RA-18	48" Soffit	Removable	18" Hgt
CE048S-RA-24	48" Soffit	Removable	24" Hgt
CE060S-RA-18	60" Soffit	Removable	18" Hgt
CE060S-RA-24	60" Soffit	Removable	24" Hgt
CE072S-RA-18	72" Soffit	Removable	18" Hgt
CE072S-RA-24	72" Soffit	Removable	24" Hgt
CE096S-RA-18	96" Soffit	Removable	18" Hgt
CE096S-RA-24	96" Soffit	Removable	24" Hgt
CE120S-RA-18	120" Soffit	Removable	18" Hgt
CE120S-RA-24	120" Soffit	Removable	24" Hgt
CE144S-RA-18	144" Soffit	Removable	18" Hgt
CE144S-RA-24	144" Soffit	Removable	24" Hgt

Fume Hood Accessories – Ceiling Soffits

Ceiling Soffits – Without Access Panel

Painted Soffit Units

CE036P-NA-18	36" Soffit	No Access	18" Height
CE036P-NA-24	36" Soffit	No Access	24" Height
CE048P-NA-18	48" Soffit	No Access	18" Height
CE048P-NA-24	48" Soffit	No Access	24" Height
CE060P-NA-18	60" Soffit	No Access	18" Height
CE060P-NA-24	60" Soffit	No Access	24" Height
CE072P-NA-18	72" Soffit	No Access	18" Height
CE072P-NA-24	72" Soffit	No Access	24" Height
CE096P-NA-18	96" Soffit	No Access	18" Height
CE096P-NA-24	96" Soffit	No Access	24" Height
CE120P-NA-18	120" Soffit	No Access	18" Height
CE120P-NA-24	120" Soffit	No Access	24" Height
CE144P-NA-18	144" Soffit	No Access	18" Height
CE144P-NA-24	144" Soffit	No Access	24" Height

304 Stainless Steel Soffit Units

CE036S-NA-18	36" Soffit	No Access	18" Height
CE036S-NA-24	36" Soffit	No Access	24" Height
CE048S-NA-18	48" Soffit	No Access	18" Height
CE048S-NA-24	48" Soffit	No Access	24" Height
CE060S-NA-18	60" Soffit	No Access	18" Height
CE060S-NA-24	60" Soffit	No Access	24" Height
CE072S-NA-18	72" Soffit	No Access	18" Height
CE072S-NA-24	72" Soffit	No Access	24" Height
CE096S-NA-18	96" Soffit	No Access	18" Height
CE096S-NA-24	96" Soffit	No Access	24" Height
CE120S-NA-18	120" Soffit	No Access	18" Height
CE120S-NA-24	120" Soffit	No Access	24" Height
CE144S-NA-18	144" Soffit	No Access	18" Height
CE144S-NA-24	144" Soffit	No Access	24" Height

Ceiling Soffit Trim

Painted Trim Units

CETRIM-P36	36" Ceiling Soffit Trim	Painted
CETRIM-P48	48" Ceiling Soffit Trim	Painted
CETRIM-P60	60" Ceiling Soffit Trim	Painted
CETRIM-P72	72" Ceiling Soffit Trim	Painted
CETRIM-P96	96" Ceiling Soffit Trim	Painted
CETRIM-P120	120" Ceiling Soffit Trim	Painted
CETRIM-P144	144" Ceiling Soffit Trim	Painted

304 Stainless Steel Trim Units

CETRIM-S36	36" Ceiling Soffit Trim	304 Stainless Steel
CETRIM-S48	48" Ceiling Soffit Trim	304 Stainless Steel
CETRIM-S60	60" Ceiling Soffit Trim	304 Stainless Steel
CETRIM-S72	72" Ceiling Soffit Trim	304 Stainless Steel
CETRIM-S96	96" Ceiling Soffit Trim	304 Stainless Steel
CETRIM-S120	120" Ceiling Soffit Trim	304 Stainless Steel
CETRIM-S144	144" Ceiling Soffit Trim	304 Stainless Steel

Fume Hood Accessories – Replacement Fascias & Side Panels

Replacement Fascias & Side Panels

FOR HOOD SERIES: F-100 – 103, F-181-2 – 183-4, F-400 – 403, F-703, F-971

1-FS01 Replace Painted Fascias 304 Stainless Steel

FOR HOOD SERIES: F-170 – 173

17-FS01 Replace Painted Fascias (4) 304 Stainless Steel

FOR HOOD SERIES: F-200 – 203, F-250 – 253, F-803

2-FS01 Replace Painted Fascias 304 Stainless Steel

FOR HOOD SERIES: F-292

29-FS01 Replace Painted Fascias (4) 304 Stainless Steel

FOR HOOD SERIES: F-500 – 503

4-FS01 Replace Painted Fascias 316 Stainless Steel

FOR HOOD SERIES: F-600 – 603

6-FS01 Replace Painted Fascias 304 Stainless Steel

FOR HOOD SERIES: F-900 – 901, F-960 – 961, F-301

9-FS01 Replace Painted Fascias 304 Stainless Steel

FOR HOOD SERIES: F-100 – 103, F-170 – 173, F-181-2 – 183-4, F-400 – 403,
F-703, F-971

1-NS01 Replace Painted Side Panels 304 Stainless Steel

FOR HOOD SERIES: F-200 – 203, F-803

2-NS01 Replace Painted Side Panels 304 Stainless Steel

FOR HOOD SERIES: F-250 – 253, F-292

25-NS01 Replace Painted Side Panels 304 Stainless Steel

FOR HOOD SERIES: F-500 – 503

4-NS01 Replace Painted Side Panels 316 Stainless Steel

FOR HOOD SERIES: F-600 – 603

6-NS01 Replace Painted Side Panels 304 Stainless Steel

FOR HOOD SERIES: F-900 – 901, F-960 – 961, F-301

9-NS01 Replace Painted Side Panels 304 Stainless Steel

Replacement Tempered Sash Glass with Laminated Glass
(Frameless Vertical Sash Hoods)

FOR HOOD SERIES: F-100, F-400, F-500

1-GV36	36" Hood	Replacement Tempered with Laminated
1-GV48	48" Hood	Replacement Tempered with Laminated
1-GV60	60" Hood	Replacement Tempered with Laminated
1-GV72	72" Hood	Replacement Tempered with Laminated
1-GV96	96" Hood	Replacement Tempered with Laminated

FOR HOOD SERIES: F-170

17-GV96	96" Hood	Replacement Tempered with Laminated
17-GV120	120" Hood	Replacement Tempered with Laminated
17-GV144	144" Hood	Replacement Tempered with Laminated

FOR HOOD SERIES: F-200, 250

2-GV48	48" Hood	Replacement Tempered with Laminated
2-GV60	60" Hood	Replacement Tempered with Laminated
2-GV72	72" Hood	Replacement Tempered with Laminated
2-GV96	96" Hood	Replacement Tempered with Laminated

FOR HOOD SERIES: F-600

6-GV36	36" Hood	Replacement Tempered with Laminated
6-GV48	48" Hood	Replacement Tempered with Laminated
6-GV60	60" Hood	Replacement Tempered with Laminated
6-GV72	72" Hood	Replacement Tempered with Laminated
6-GV96	96" Hood	Replacement Tempered with Laminated

*Note: F-900 – 901 and F-960 – 961 fume hoods come with laminated glass only.

Fume Hood Accessories – Sash Options

Replacement Tempered Sash Glass with Laminated Glass
(Combination Sash Hoods)

FOR HOOD SERIES: F-101, F-401, F-501, F-971

1-GC48	48" Hood	Replacement Tempered with Laminated
1-GC60	60" Hood	Replacement Tempered with Laminated
1-GC72	72" Hood	Replacement Tempered with Laminated
1-GC96	96" Hood	Replacement Tempered with Laminated
1-GC120	120" Hood	Replacement Tempered with Laminated
1-GC144	144" Hood	Replacement Tempered with Laminated

FOR HOOD SERIES: F-171

17-GC96	96" Hood	Replacement Tempered with Laminated
17-GC120	120" Hood	Replacement Tempered with Laminated
17-GC144	144" Hood	Replacement Tempered with Laminated

FOR HOOD SERIES: F-181-2

18-2-GC96	96" Hood	Replacement Tempered with Laminated
18-2-GC120	120" Hood	Replacement Tempered with Laminated
18-2-GC144	144" Hood	Replacement Tempered with Laminated

FOR HOOD SERIES: F-201, F-251

2-GC48	48" Hood	Replacement Tempered with Laminated
2-GC60	60" Hood	Replacement Tempered with Laminated
2-GC72	72" Hood	Replacement Tempered with Laminated
2-GC96	96" Hood	Replacement Tempered with Laminated
2-GC120	120" Hood	Replacement Tempered with Laminated
2-GC144	144" Hood	Replacement Tempered with Laminated

FOR HOOD SERIES: F-601

6-GC48	48" Hood	Replacement Tempered with Laminated
6-GC60	60" Hood	Replacement Tempered with Laminated
6-GC72	72" Hood	Replacement Tempered with Laminated
6-GC96	96" Hood	Replacement Tempered with Laminated

*Note: F-900 – 901 and F-960 – 961 fume hoods come with laminated glass only.

Replacement Tempered Sash Glass with Laminated Glass
(Framed Vertical Sash Hoods)

FOR HOOD SERIES: F-103, F-403, F-503

1-GF36	36" Hood	Replacement Tempered with Laminated
1-GF48	48" Hood	Replacement Tempered with Laminated
1-GF60	60" Hood	Replacement Tempered with Laminated
1-GF72	72" Hood	Replacement Tempered with Laminated
1-GF96	96" Hood	Replacement Tempered with Laminated

FOR HOOD SERIES: F-173

17-GF96	96" Hood	Replacement Tempered with Laminated
17-GF120	120" Hood	Replacement Tempered with Laminated
17-GF144	144" Hood	Replacement Tempered with Laminated

FOR HOOD SERIES: F-183-2

18-2-GF96	96" Hood	Replacement Tempered with Laminated
18-2-GF120	120" Hood	Replacement Tempered with Laminated
18-2-GF144	144" Hood	Replacement Tempered with Laminated

FOR HOOD SERIES: F-183-4

18-4-GF120	120" Hood	Replacement Tempered with Laminated
18-4-GF144	144" Hood	Replacement Tempered with Laminated

*Note: F-900 – 901 and F-960 – 961 fume hoods come with laminated glass only.

Fume Hood Accessories – Sash Options

Replacement Tempered Sash Glass with Laminated Glass
(Framed Vertical Sash Hoods)

FOR HOOD SERIES: F-203, F-253

2-GF48	48" Hood	Replacement Tempered with Laminated
2-GF60	60" Hood	Replacement Tempered with Laminated
2-GF72	72" Hood	Replacement Tempered with Laminated
2-GF96	96" Hood	Replacement Tempered with Laminated
2-GF120	120" Hood	Replacement Tempered with Laminated
2-GF144	144" Hood	Replacement Tempered with Laminated

FOR HOOD SERIES: F-603

6-GF36	36" Hood	Replacement Tempered with Laminated
6-GF48	48" Hood	Replacement Tempered with Laminated
6-GF60	60" Hood	Replacement Tempered with Laminated
6-GF72	72" Hood	Replacement Tempered with Laminated
6-GF96	96" Hood	Replacement Tempered with Laminated

FOR HOOD SERIES: F-703

7-GF36	36" Hood	Replacement Tempered with Laminated
7-GF48	48" Hood	Replacement Tempered with Laminated
7-GF60	60" Hood	Replacement Tempered with Laminated
7-GF72	72" Hood	Replacement Tempered with Laminated
7-GF96	96" Hood	Replacement Tempered with Laminated

FOR HOOD SERIES: F-803

8-GF48	48" Hood	Replacement Tempered with Laminated
8-GF60	60" Hood	Replacement Tempered with Laminated
8-GF72	72" Hood	Replacement Tempered with Laminated
8-GF96	96" Hood	Replacement Tempered with Laminated
8-GF120	120" Hood	Replacement Tempered with Laminated
8-GF144	144" Hood	Replacement Tempered with Laminated

Replacement Tempered Sash Glass with Laminated Glass
(Horizontal Sash Hoods)

FOR HOOD SERIES: F-102

1-GH48	48" Hood	Replacement Tempered with Laminated
1-GH60	60" Hood	Replacement Tempered with Laminated
1-GH72	72" Hood	Replacement Tempered with Laminated
1-GH96	96" Hood	Replacement Tempered with Laminated

FOR HOOD SERIES: F-202, F-252

2-GH48	48" Hood	Replacement Tempered with Laminated
2-GH60	60" Hood	Replacement Tempered with Laminated
2-GH72	72" Hood	Replacement Tempered with Laminated
2-GH96	96" Hood	Replacement Tempered with Laminated
2-GH120	120" Hood	Replacement Tempered with Laminated
2-GH144	144" Hood	Replacement Tempered with Laminated

FOR HOOD SERIES: F-292

29-GH72	72" Hood	Replacement Tempered with Laminated
29-GH96	96" Hood	Replacement Tempered with Laminated
29-GH120	120" Hood	Replacement Tempered with Laminated
29-GH144	144" Hood	Replacement Tempered with Laminated

FOR HOOD SERIES: F-602

6-GH48	48" Hood	Replacement Tempered with Laminated
6-GH60	60" Hood	Replacement Tempered with Laminated
6-GH72	72" Hood	Replacement Tempered with Laminated
6-GH96	96" Hood	Replacement Tempered with Laminated

Fume Hood Accessories – Special Options

Monitor/Alarms

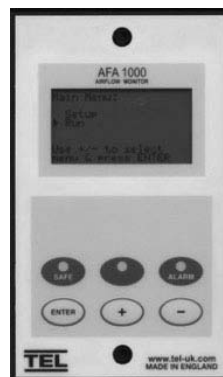
M01-A200	Monitor/Alarm	Velocity	Alnor-200	
M01-A200-L	Monitor/Alarm	Velocity	Alnor-200	Loose
M01-A385	Monitor/Alarm	Velocity	Alnor-385	
M01-A385-L	Monitor/Alarm	Velocity	Alnor-385	Loose
M01-T	Monitor/Alarm	Velocity	Tel 1000	
M01-T-L	Monitor/Alarm	Velocity	Tel 1000	Loose
M01-T-R	Monitor/Alarm	Velocity w/Repeater	Tel 1000	
M01-T500	Monitor/Alarm	Velocity	Tel 500	
M01-T500-L	Monitor/Alarm	Velocity	Tel 500	Loose
M01-T200	Monitor/Alarm	Velocity	Tel 200	
M01-T200-L	Monitor/Alarm	Velocity	Tel 200	Loose
M01-Apex	Monitor/Alarm	Velocity	Apex	
M01-Apex	Monitor/Alarm	Velocity	Apex	Loose
M02	Monitor/Alarm	Vapor Detector	Marine Technology	
M02-L	Monitor/Alarm	Vapor Detector	Marine Technology	Loose



M01-A385



M01-T500



M01-T

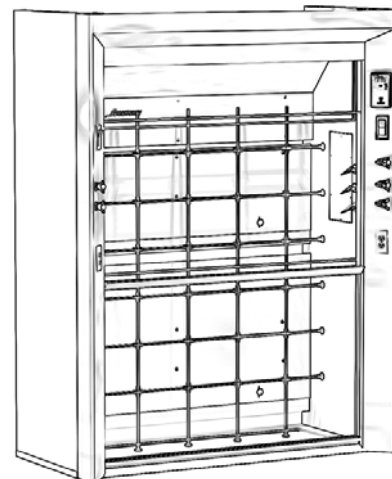
*Note: Alarm must be located on the fascia panel and always above the clear sash opening.

Pressure Gauges

M03-0	Magnehelic Pressure Gauge 0 – 1/2" Wg	Mounted
M03-1	Magnehelic Pressure Gauge 0 – 1" Wg	Mounted
M03-2	Magnehelic Pressure Gauge 0 – 2" Wg	Mounted
M03-3	Magnehelic Pressure Gauge 0 – 3" Wg	Mounted

Distillation Racks

DB-36	36" Distillation Rack	Bench
DB-36T304	36" Distillation Rack	Bench
DB-36T316	36" Distillation Rack	Bench
DB-48	48" Distillation Rack	Bench
DB-48T304	48" Distillation Rack	Bench
DB-48T316	48" Distillation Rack	Bench
DB-60	60" Distillation Rack	Bench
DB-60T304	60" Distillation Rack	Bench
DB-60T316	60" Distillation Rack	Bench
DB-72	72" Distillation Rack	Bench
DB-72T304	72" Distillation Rack	Bench
DB-72T316	72" Distillation Rack	Bench
DB-96	96" Distillation Rack	Bench
DB-96T304	96" Distillation Rack	Bench
DB-96T316	96" Distillation Rack	Bench
DW-48	48" Distillation Rack	Walk-In
DW-60	60" Distillation Rack	Walk-In
DW-72	72" Distillation Rack	Walk-In
DW-96	96" Distillation Rack	Walk-In



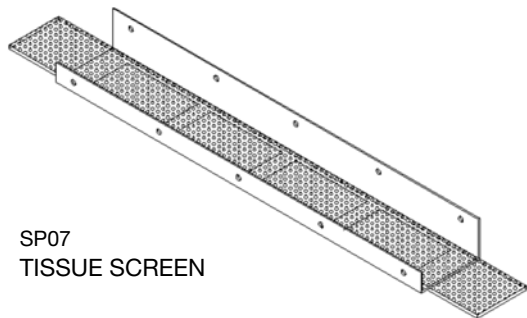
1/2" aluminum rods with connectors.

*Note: The number of horizontal and vertical rods vary between Bench Hoods and Walk-Ins.

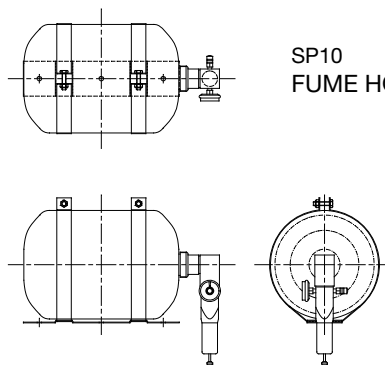
Fume Hood Accessories – Special Options

Special Options

SP01	Gravity Sash Stops (set of 2)		
SP02	Label	Face 100 CFM	
SP03	Label	Face Velocity	
SP04-2	Steam Bath	2 Rings, 5" dia.	
SP04-4	Steam Bath	4 Rings, 4" dia.	
SP04-6	Steam Bath	6 Rings, 5" dia.	
SP04-7	Steam Bath	7 Rings, 5" dia.	
SP04-8	Steam Bath	8 Rings, 5" dia.	
SP05	Fume Hood Fire Extinguisher	Activated Fusible Link	w/ Cable Activated Emergency Shut-off
SP06	Label	Logo etched in glass viewpass panel	
SP07	Tissue Screen	304 Stainless Steel	
SP08	Label	Sash Stop Decal	
SP09	Label	Radiation	
SP10	Fume Hood Fire Extinguisher	with Self Contained Fusible Link	
SP11	Label	Fume Hood Operation Decal	
SP12	Label	Face	Purchased Part Specification
SP13	Label	Face	Set Up Condition, LH
SP13-R	Label	Face	Set Up Condition, RH



SP07
TISSUE SCREEN



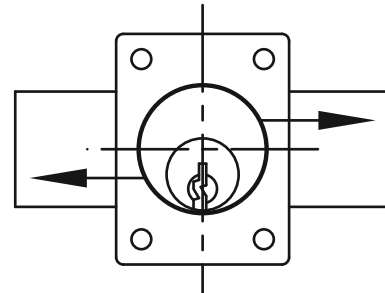
SP10
FUME HOOD FIRE EXTINGUISHER

Special Options

SP14	Label	Face	Disability
SP15	Label	Industrial Water – Do Not Drink	
SP16	Dilution Tank	Undercounter	6 Gallon
SP17	Trap	All Way	Adjustable Riser
SP18	Trap	Bottle	Adjustable Riser
SP19	Micro Switch	Sash Detector	
SP20	Lockable Sash Unit		



SP19
MICRO SWITCH (SASH DETECTOR)



SP20
LOCKABLE SASH UNIT

SP21-36	SS, Fume Hood Shelf, 36" W	12" Deep	Bracket and Unistrut Sold Separately
SP21-48	SS, Fume Hood Shelf, 48" W	12" Deep	Bracket and Unistrut Sold Separately
SP21-60	SS, Fume Hood Shelf, 60" W	12" Deep	Bracket and Unistrut Sold Separately
SP21-72	SS, Fume Hood Shelf, 72" W	12" Deep	Bracket and Unistrut Sold Separately
SP21-96	SS, Fume Hood Shelf, 96" W	12" Deep	Bracket and Unistrut Sold Separately

Fume Hood Accessories – Special Options

Special Options

SP26	Polyglass Liner Cleaner	
SP27	Stainless Steel Cleaner	
SP28	Bacterial Disinfectant Cleaner	
SP29	Absolute Filter Housing	
SP30	Label	Remote Control Baffle
SP31	Label	Baffle Slot Size
SP32	Factory Installed TSI-8610	Supplied by Customer
SP37	Air Flow Monitor with High Limit Switch	
SP38	Automatic Sash Return	
SP40	Automatic Sash Open/Close, Single Speed	
SP41	Phoenix, Monitor, FHM-410	
SP42	Phoenix, Potentiometer, VSS-110	
SP43	Mount and Prewire Phoenix Alarm	
SP45	Automatic Sash Open/Close, Dual Speed	
SP45-96-2	Automatic Sash, Dual Postless, 96"	
SP46-PI	Cord Pass-Thru, Whiteplastic, 2"	
SP47	Dual Function Switch	
SP48	Phoenix, Monitor, FHM630	
SP50	Push Button, Open Only, For Smart Sash	
SP51	Phoenix, Motion Sensor, Zps210	
SP52	Phoenix, Dual Sash Pots, Vss-120	
SP53	Mounting Of Phoenix Vss110 To Fume Hood	
SP60	Smart Sash	
SP61	Smart Sash--Retrofit	
SP61-96	Smart-Sash Field Retrofit Non Jmp	
SP62-96	Smart-Sash Field Retrofit Comp Hood-96"	
SP70	Smart-Sash W/O Ir Sensor	
SP71	Smart-Sash Phase 5	
SP71-96	Smart-Sash Oem For 96" Hood	
SP72	Smart-Sash Phase 5 Field Retrofit Kit	
SP72-60	Smart-Sash Field Retrofit Jmp Hoods-60"	

Special Options continued

SP73	Alarm Ring Back - 5 Minutes, Tel Option
SP74	Smart Sash,Phase 5,Gsk Specific
SP75	Smart-Sash Phase 5 W/Ir Sensor
SP75-96	Smart-Sash Phase 5 For 96" Hoods
SP76	Smart-Sash W/Ir Sensor And Light Curtain
SP77	Sash Open Warning System
SP78	Sash Open Alarm W/Ir Sensor
SP79	Tel500 W/Sash Alarm
SP80-48	Polycarb Safety Shield, 48"
SP80-60	Polycarb Safety Shield, 60"
SP80-72	Polycarb Safety Shields,72"
SP80-72G5	Assembly-Safety Shield 72G5
SP80-96	Polycarb Safety Shields,96"
SP80-96G5	Assembly-Safety Shield 96G5
SP81-72G5	Polycarb Safety Shield,72" G5 Hood
SP81-96G5	Polycarb Safety Shield,96" G5 Hood

Knock-Down Options (KD)

1-KD36	36" Fume Hood	Shipped Knock-Down (KD)
1-KD48	48" Fume Hood	Shipped Knock-Down (KD)
1-KD60	60" Fume Hood	Shipped Knock-Down (KD)
1-KD72	72" Fume Hood	Shipped Knock-Down (KD)
1-KD96	96" Fume Hood	Shipped Knock-Down (KD)
1-KD120	120" Fume Hood	Shipped Knock-Down (KD)
1-KD144	144" Fume Hood	Shipped Knock-Down (KD)

Fume Hood Testing

OTH-0001	ASHRAE Test at Factory	Per Hood
OTH-0002	ASHRAE Test at Job Site	Call for Quote

Fume Hood Accessories – Modifications

Modifications

MOD-0001	Modification	Hole Positions (per fascia)
MOD-0003	Modification	Removable Gasketed Interior
MOD-0004	Modification	VAV Sash Positioning
MOD-0005	Modification	Remote Control Baffle
MOD-0006	Modification	Single Point ADJ. Baffle
MOD-0007	Modification	Non-Metal Hardware in Hood
MOD-0008	Modification	Flanged Duct Transition
MOD-0009	Modification	Square Duct Collar
MOD-0010	Modification	Painted Stainless Lower Air Foil
MOD-0011-4	Modification	4 ft. ADA Stainless Trough
MOD-0011-5	Modification	5 ft. ADA Stainless Trough
MOD-0011-6	Modification	6 ft. ADA Stainless Trough
MOD-0011-8	Modification	8 ft. ADA Stainless Trough
MOD-0012	4" x 6" Plastic Card Holder	
MOD-0013	EW Fiberglass Uni-strut 42" Long	
MOD-0015I	Cylinder Strap Support	Interior
MOD-0015E	Cylinder Strap Support	Exterior
MOD-0016	Stainless Steel Uni-strut P1000	
MOD-0020	Mod, 48" Bench Finished Hood Back, Painted	
MOD-0021	Mod, 60" Bench Finished Hood Back, Painted	
MOD-0022	Mod, 72" Bench Finished Hood Back, Painted	
MOD-0023	Mod, 96" Bench Finished Hood Back, Painted	
MOD-0024	Mod, 120" Bench Finished Hood Back, Painted	
MOD-0025	Mod, 144" Bench Finished Hood Back, Painted	
MOD-0026	Mod, 48" Walk-In Finished Hood Back, Painted	
MOD-0027	Mod, 60" Walk-In Finished Hood Back, Painted	
MOD-0028	Mod, 72" Walk-In Finished Hood Back, Painted	
MOD-0029	Mod, 96" Walk-In Finished Hood Back, Painted	

Modifications

MOD-0030	Mod, 120" Walk-In Finished Hood Back, Painted
MOD-0031	Mod, 144" Walk-In Finished Hood Back, Painted
MOD-0032	Mod, 48" OS Hgt. Finished Hood Back, Painted
MOD-0033	Mod, 60" OS Hgt. Finished Hood Back, Painted
MOD-0034	Mod, 72" OS Hgt. Finished Hood Back, Painted
MOD-0035	Mod, 96" OS Hgt. Finished Hood Back, Painted
MOD-0036	Seismic brackets, Pair, 14 Gauge, Galvanized, Shipped Loose
MOD-0037	Ceiling Soffit Sides, For 900 and 901 Series FH, 24" Hlgh
MOD-0038	Pre-Mounted Fixtures and Outlets



This page was intentionally left blank.



INSTITUTIONAL CASEWORK INC.
World Headquarters
1865 Highway 641 North
Paris TN 38242
731.642.4251 www.iciscientific.com